

Milwaukee®

Nothing but **HEAVY DUTY**®



M12 FCOT

Original instructions

Originalbetriebsanleitung

Notice originale

Istruzioni originali

Manual original

Oorspronkelijke gebruiksaanwijzing

Original brugsanvisning

Original bruksanvisning

Bruksanvisning i original

Alkuperäiset ohjeet

Πρωτότυπο οδηγιών χρήσης

Orijinal işletme talimatı

Původním návodem k používání

Pôvodný návod na použitie

Instrukcją oryginalną

Eredeti használati utasítás

Izvirna navodila

Originalne pogonske upute

Instrukcijām oriģinālvalodā

Originali instrukcija

Algupärane kasutusjuhend

Оригинальное руководство по эксплуатации

Оригинално ръководство за експлоатация

Instrucțiuni de folosire originale

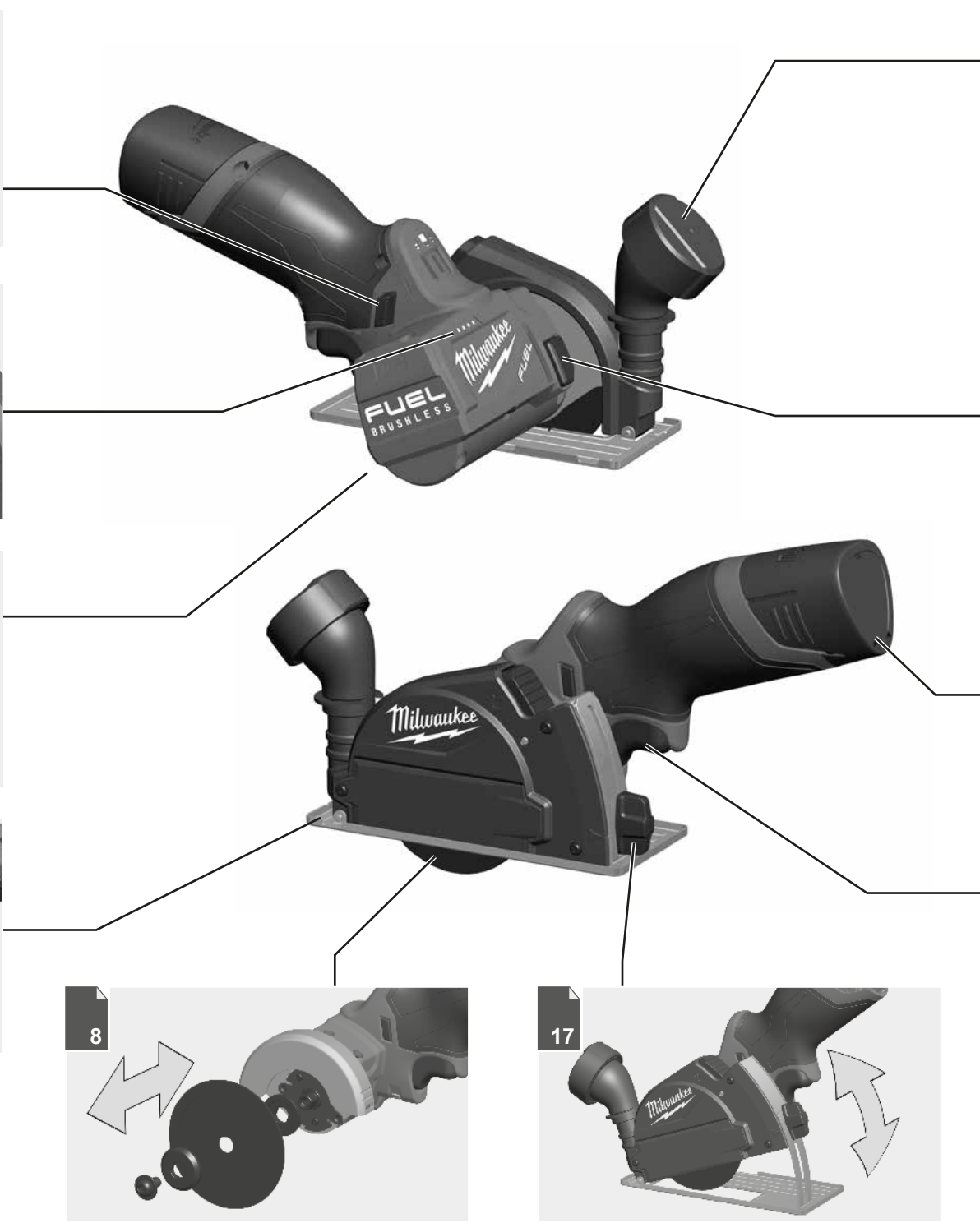
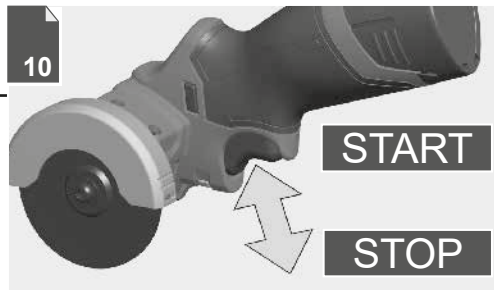
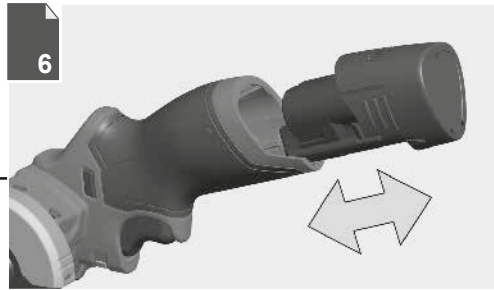
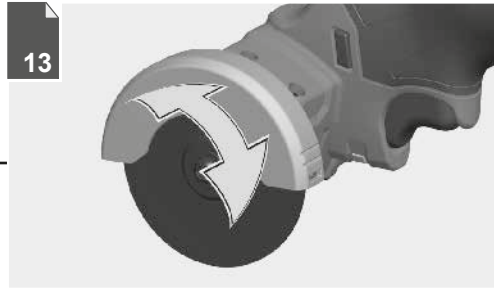
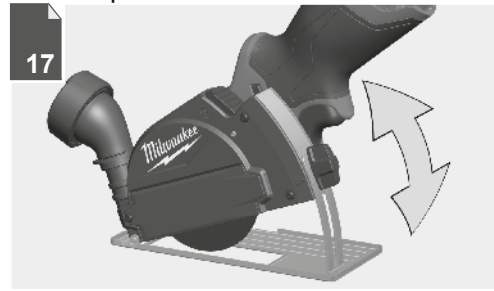
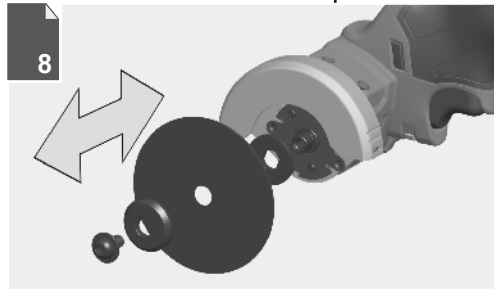
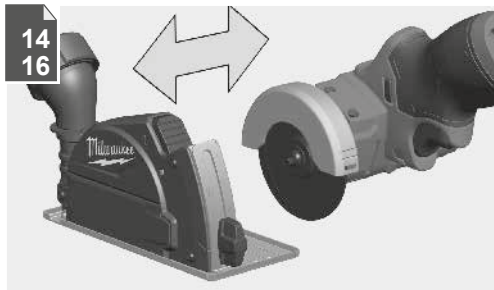
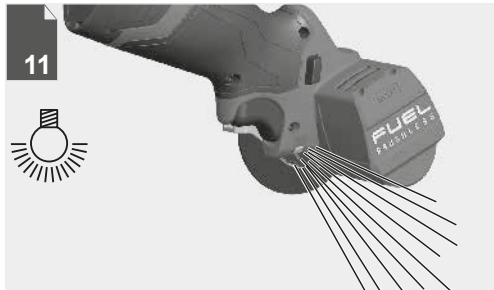
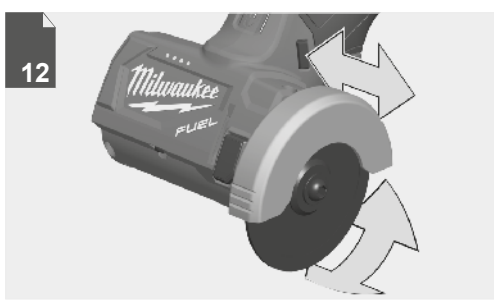
Оригинален прирачник за работа

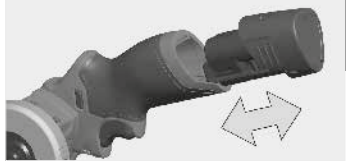
Оригінал інструкції з експлуатації

التعليمات الأصلية

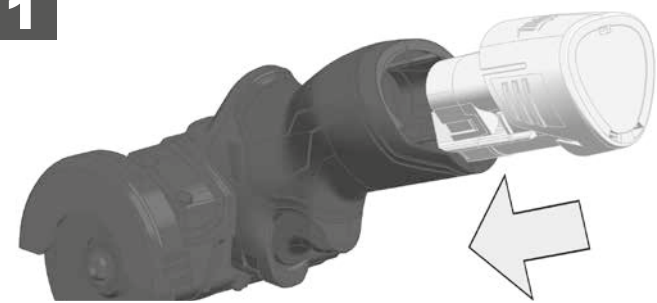
ENGLISH		Picture section with operating description and functional description	4
DEUTSCH		Bildteil mit Anwendungs- und Funktionsbeschreibungen	4
FRANÇAIS		Partie imagée avec description des applications et des fonctions	4
ITALIANO		Sezione illustrata con descrizione dell'applicazione e delle funzioni	4
ESPAÑOL		Sección de ilustraciones con descripción de aplicación y descripción funcional	4
PORTUGUES		Parte com imagens explicativas contendo descrição operacional e funcional	4
NEDERLANDS		Beelddedeelte met toepassings- en functiebeschrijvingen	4
DANSK		Billedel med anvendelses- og funktionsbeskrivelser	4
NORSK		Billedel med bruks- og funksjonsbeskrivelse	4
SVENSKA		Bilddel med användnings- och funktionsbeskrivning	4
SUOMI		Kuvasivut käyttö- ja toimintakuvaukset	4
ΕΛΛΗΝΙΚΑ		Τμήμα εικόνων με περιγραφές χρήσης και λειτουργίας	4
TÜRKÇE		Resim bölümü Uygulama ve fonksiyon açıklamaları ile birlikte	4
ČESKY		Obrazová část s popisem aplikací a funkcí	4
SLOVENSKY		Obrazová část s popisom aplikácií a funkcií	4
POLSKI		Część rysunkowa z opisami zastosowania i działania	4
MAGYAR		Képes részalkalmazási- és működési leírásokkal	4
SLOVENSKO		Del slike z opisom uporabe in funkcij	4
HRVATSKI		Dio sa slikama opisima primjene i funkcija	4
LATVISKI		Attēla daļa ar lietošanas un funkciju aprakstiem	4
LIETUVIŠKAI		Paveikslėlio dalis su vartojimo instrukcija ir funkcijų aprašymais	4
EESTI		Pildiosa kasutusjuhendi ja funktsioonide kirjeldusega	4
РУССКИЙ		Раздел иллюстраций с описанием эксплуатации и функций	4
БЪЛГАРСКИ		Част със снимки с описание за приложение и функции	4
ROMÂNIA		Secvența de imagine cu descrierea utilizării și a funcționării	4
МАКЕДОНСКИ		Дел со сликисо описи за употреба и функционирање	4
УКРАЇНСЬКА		Частина з зображеннями з описом робіт та функцій	4
عربي		قسم الصور يوجد به الوصف التشغيلي والوظيفي	4

Text section with Technical Data, important Safety and Working Hints and description of Symbols	22
Textteil mit Technischen Daten, wichtigen Sicherheits- und Arbeitshinweisen und Erklärung der Symbole.	26
Partie textuelle avec les données techniques, les consignes importantes de sécurité et de travail ainsi que l'explication des pictogrammes.	30
Sezione testo con dati tecnici, importanti informazioni sulla sicurezza e sull'utilizzo, spiegazione dei simboli.	34
Sección de texto con datos técnicos, indicaciones importantes de seguridad y trabajo y explicación de los símbolos.	38
Parte com texto explicativo contendo Especificações técnicas, Avisos de segurança e de operação e a Descrição dos símbolos.	42
Tekstgedeelte met technische gegevens, belangrijke veiligheids- en arbeidsinstructies en verklaring van de symbolen.	46
Tekstdel med tekniske data, vigtige sikkerheds- og arbejdsanvisninger og symbolforklaring.	50
Tekstdel med tekniske data, viktige sikkerhets- og arbeidsinstruksjoner og forklaring av symbolene.	54
Tekstdel med tekniska informationer, viktiga säkerhets- och användningsinstruktioner samt symbolförklaringar.	58
Tekstisivut: tekniset tiedot, tärkeät turvallisuus- ja työskentelyohjeet sekä merkien selitykset.	62
Τμήμα κειμένου με τεχνικά χαρακτηριστικά, σημαντικές υποδείξεις ασφαλείας και εργασίας και εξήγηση των συμβόλων.	66
Teknik bilgileri, önemli güvenlik ve çalışma açıklamalarını ve de sembollerin açıklamalarını içeren metin bölümü.	70
Textová část s technickými daty, důležitými bezpečnostními a pracovními pokyny a s vysvětlivkami symbolů	74
Textová část s technickými datami, důležitými bezpečnostními a pracovními pokyny a s vysvětlivkami symbolov	78
Część opisowa z danymi technicznymi, ważnymi wskazówkami dotyczącymi bezpieczeństwa i pracy oraz objaśnieniami symboli.	82
Szöveges rész műszaki adatokkal, fontos biztonsági- és munkavégzési útmutatásokkal, valamint a szimbólumok magyarázata.	86
Del besedila s tehničnimi podatki, pomembnimi varnostnimi opozorili in delovnimi navodili in pojasnili simbolov.	90
Dio štiva sa tehničkim podacima, važnim sigurnosnim i radnim uputama i objašnjenjem simbola.	94
Teksta daļa ar tehnikajiem parametriem, svarīgiem drošības un darbības norādījumiem, simbolu atšifrējumiem.	98
Teksto dalis su techniniais duomenimis, svarbiomis saugumo ir darbo instrukcijomis bei simbolių paaiškinimais.	102
Tekstiosa tehniliste näitajate, oluliste ohutus- ja tööjuhenditega ning sümbolite kirjeldustega.	106
Текстовый раздел, включающий технические данные, важные рекомендации по безопасности и эксплуатации, а также описание используемых символов.	110
Част с текст с технически данни, важни указания за безопасност и работа и разяснение на символите.	114
Porțiune de text cu date tehnice, indicații importante privind siguranța și modul de lucru și descrierea simbolurilor.	118
Текстуален дел со Технички карактеристики, важни безбедносни и работни упатства и објаснување на симболите.	122
Текстова частина з техничними даними, важливими вказівками з техніки безпеки та експлуатації і поясненням символів.	126
القسم النصي المزود بالبيانات الفنية والنصائح الهامة للسلامة والعمل ووصف الرموز	135





1



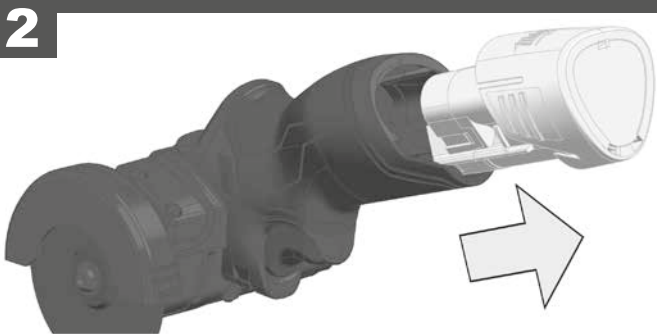
2



1



2



Remove the battery pack before starting any work on the machine.

Vor allen Arbeiten an der Maschine den Wechselakku herausnehmen

Avant tous travaux sur la machine retirer l'accu interchangeable.

Prima di iniziare togliere la batteria dalla macchina.

Retire la batería antes de comenzar cualquier trabajo en la máquina.

Antes de efectuar cualquier intervención na máquina retirar o bloco acumulador.

Voor alle werkzaamheden aan de machine de akku verwijderen.

Ved arbejde inden i maskinen, bør batteriet tages ud.

Ta ut vekslebatteriet før du arbeider på maskinen

Drag ur batteripaket innan arbete utföres på maskinen.

Tarkista pistotulppa ja verkkojohto mahdollisilta vaurioilta. Viat saa korjata vain alan erikoismies.

Πριν από κάθε εργασία στη μηχανή αφαιρέστε την ανταλλακτική μπαταρία.

Aletin kendinge bir çalışma yapmadan önce kartuş aküyü çıkarın.

Před zahájením veškerých prací na vrtacím šroubováku vyjmout výměnný akumulátor.

Pred každou pracou na stroji výměnný akumulátor vytiahnuť.

Przed przystąpieniem do jakichkolwiek prac na elektronarzędziu należy wyjąć wkładkę akumulatrową.

Karbantartás, javítás, tisztítás, stb. előtt az akkumulátort ki kell venni a készülőkből.

Pred deli na stroju izvlecite izmenljivi akumulator.

Prije svih radova na stroju izvaditi bateriju za zamjenu.

Pirms mašīnai veikt jebkāda veida apkopes darbus, ir jāizņem arī akumulators.

Prieš atlikdami bet kokius darbus įrenginyje, išimkite keičiamą akumuliatorių.

Enne kõiki töid masina kallal võtke vahetatav aku välja.

Виньте аккумулятор из машины перед проведением с ней каких-либо манипуляций.

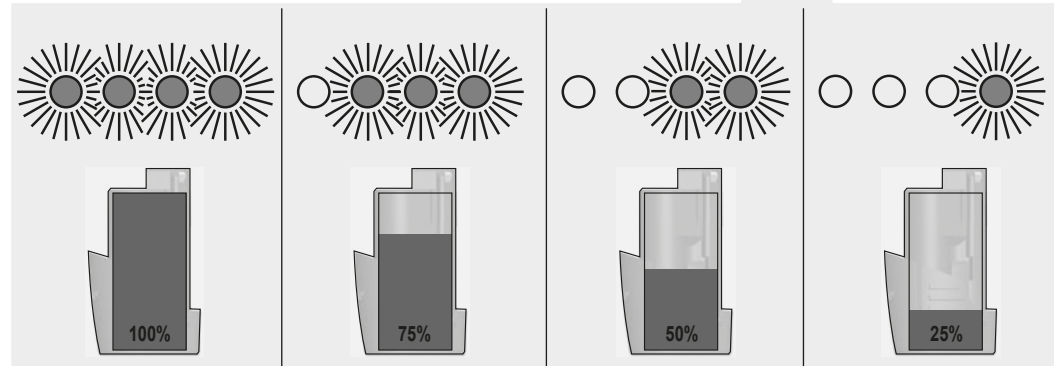
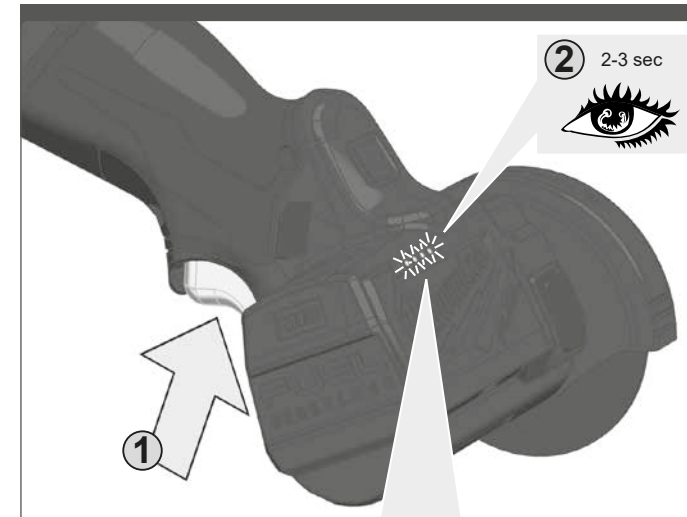
Преди започване на каквито е да работи по машината извадете акумулатора.

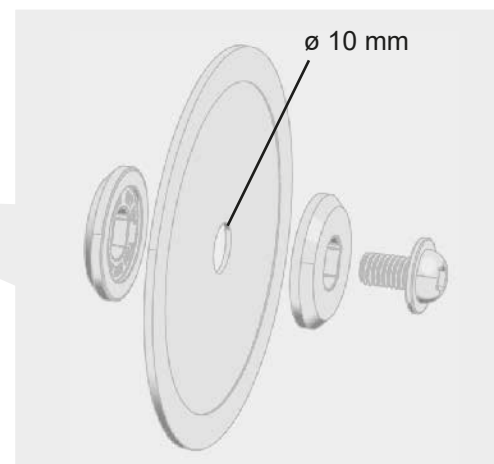
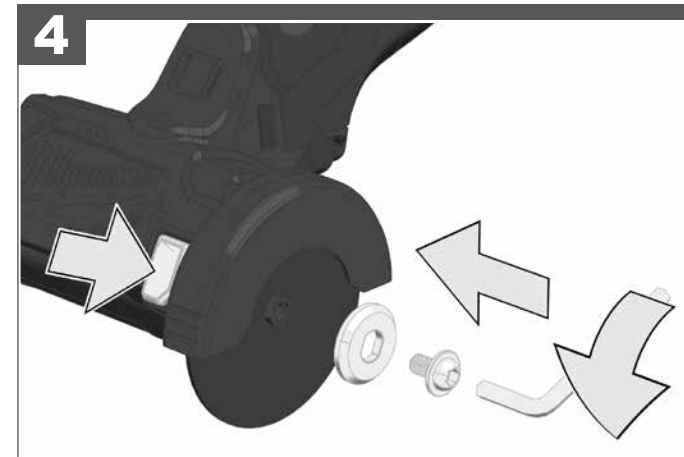
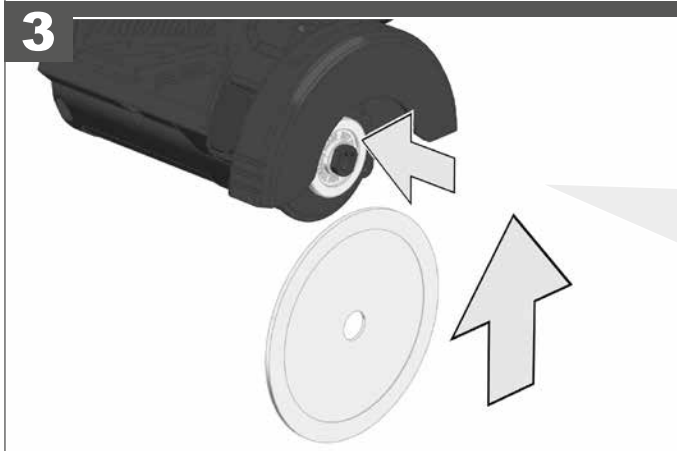
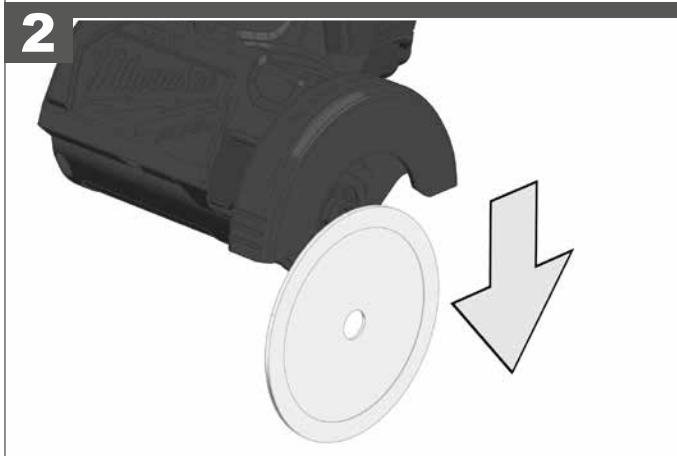
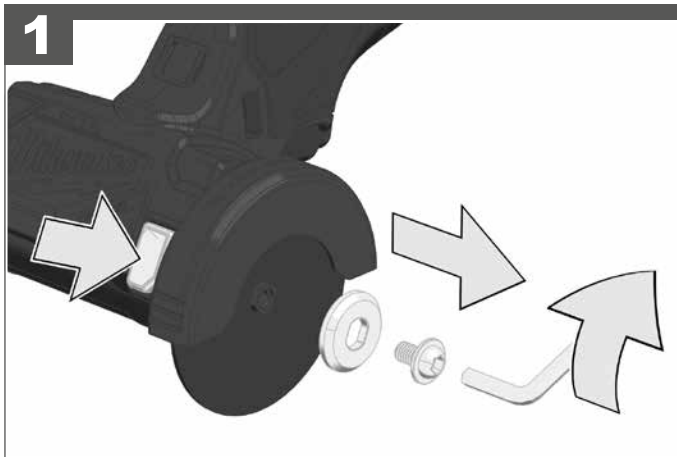
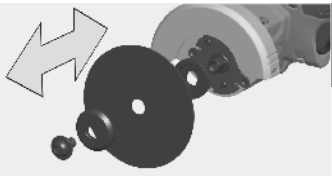
Scoateți acumulatorul înainte de a începe orice intervenție pe mașină.

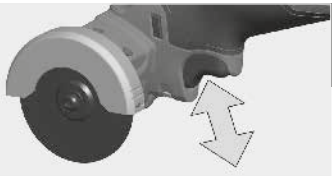
Отстранете ја батеријата пред да започнете да ја користите машината.

Перед будь-якими роботами на машині ви́няти акумуляторну батарею.

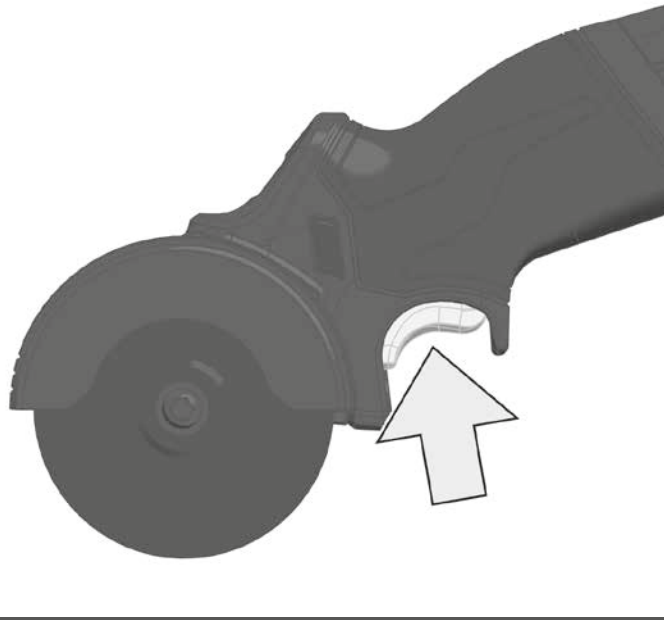
قم بإزالة حزمة البطارية قبل البدء في أي أعمال على الجهاز.



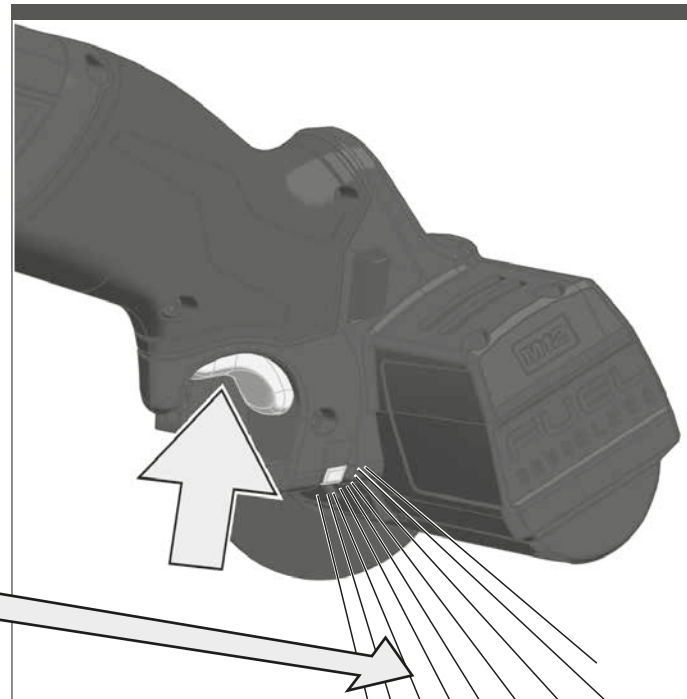
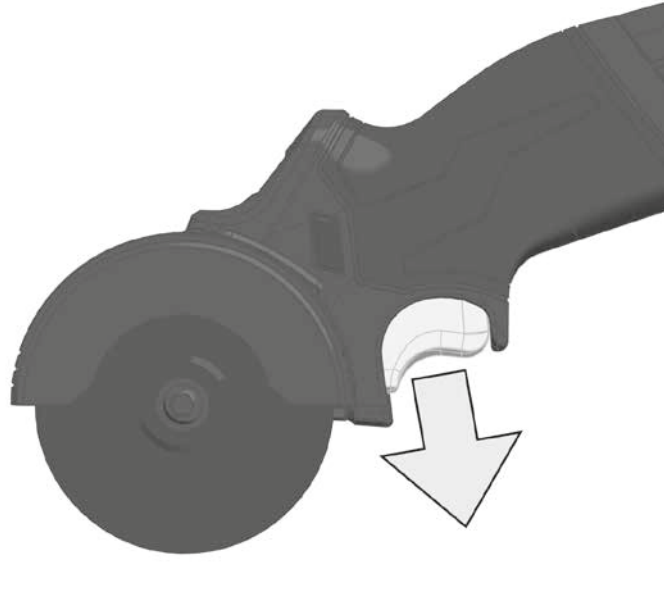


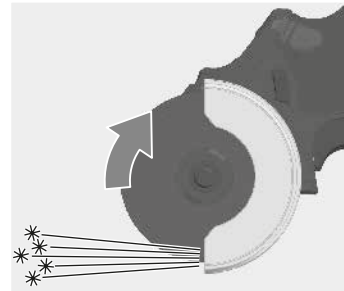
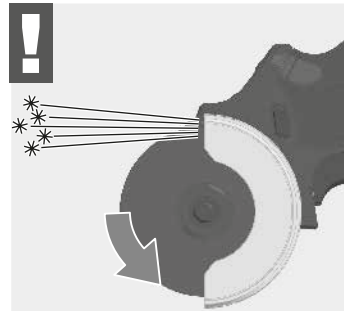
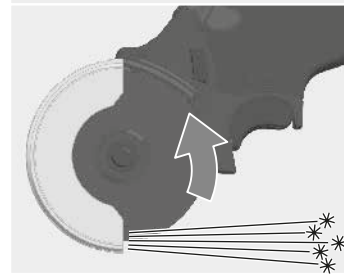
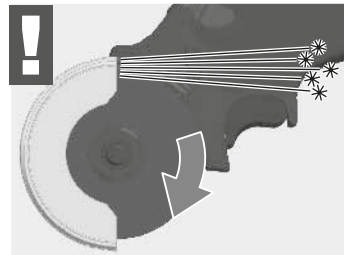
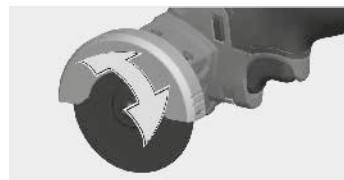
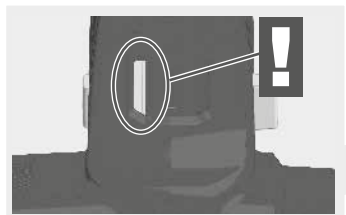
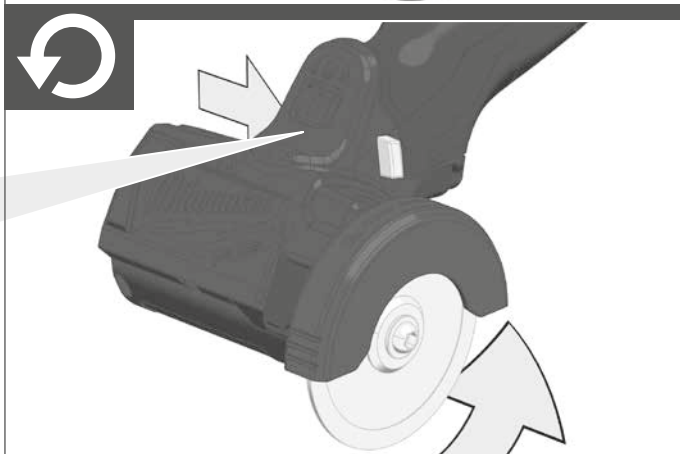
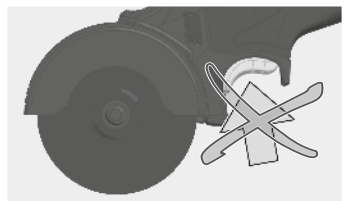
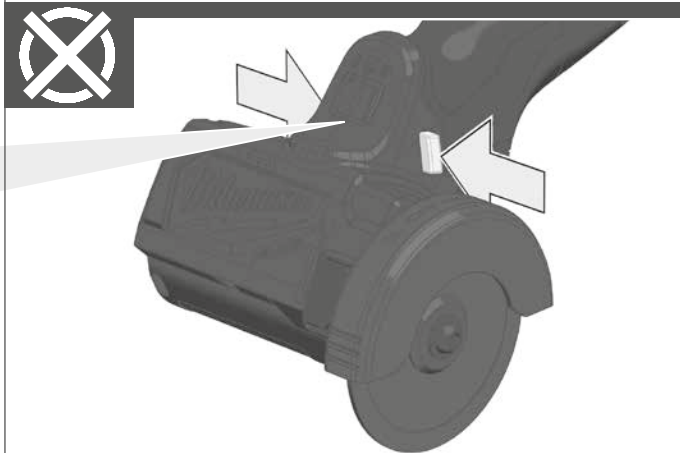
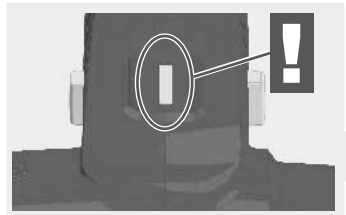
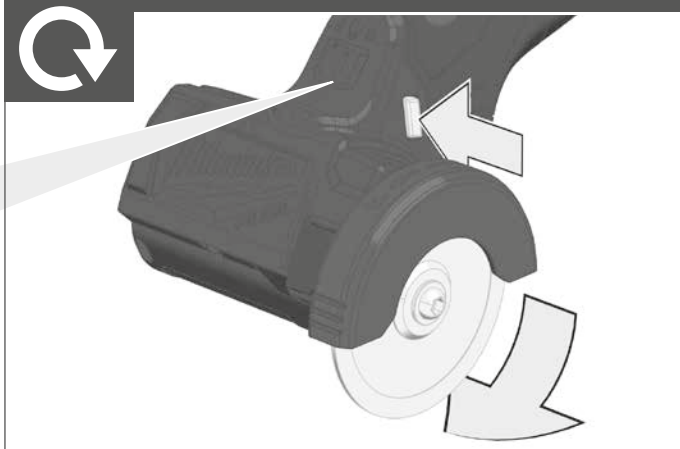
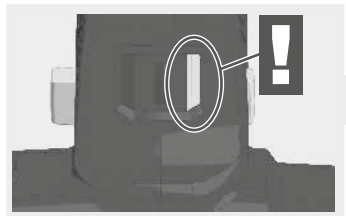
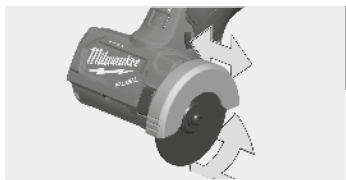


START



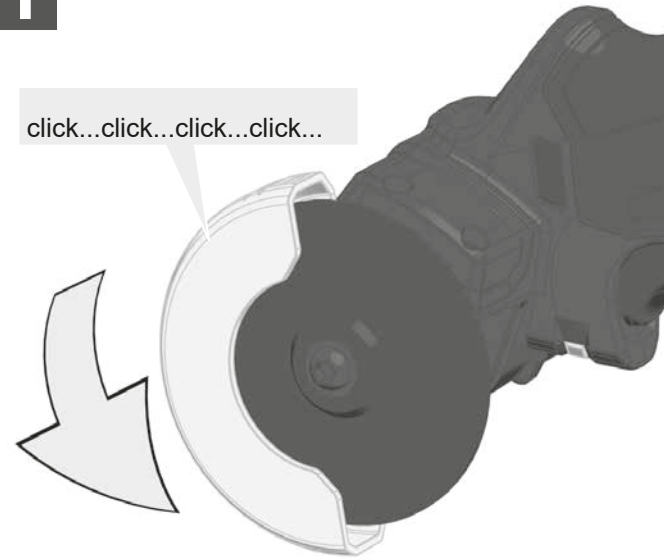
STOP





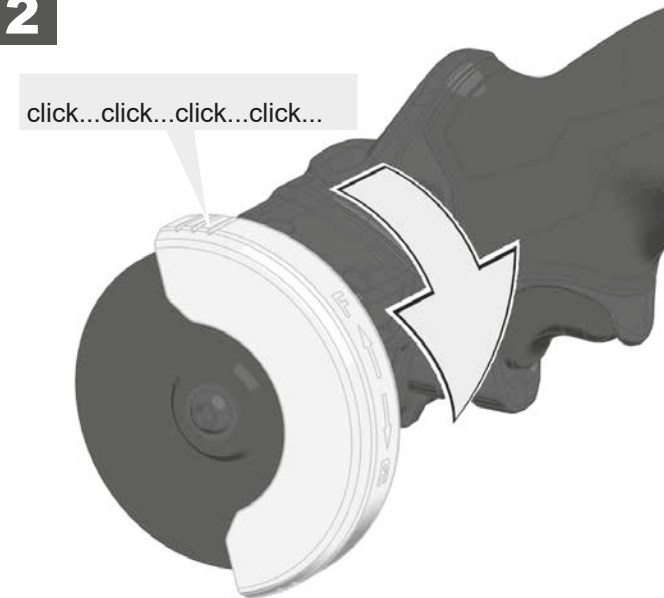
1

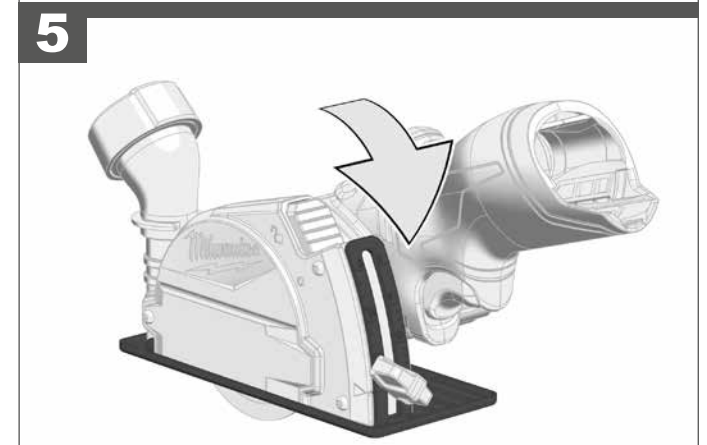
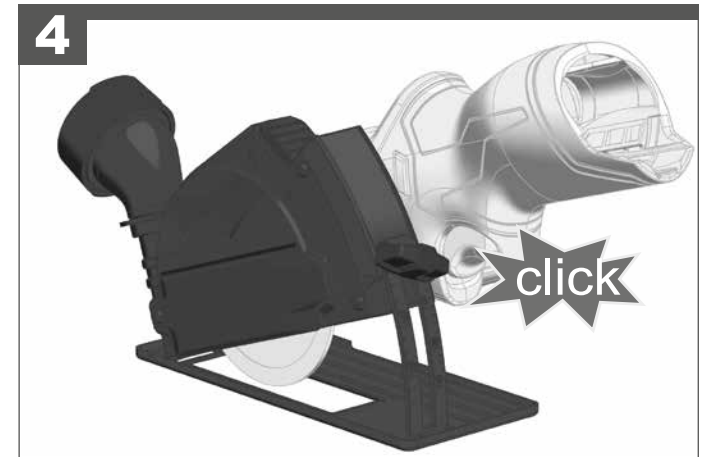
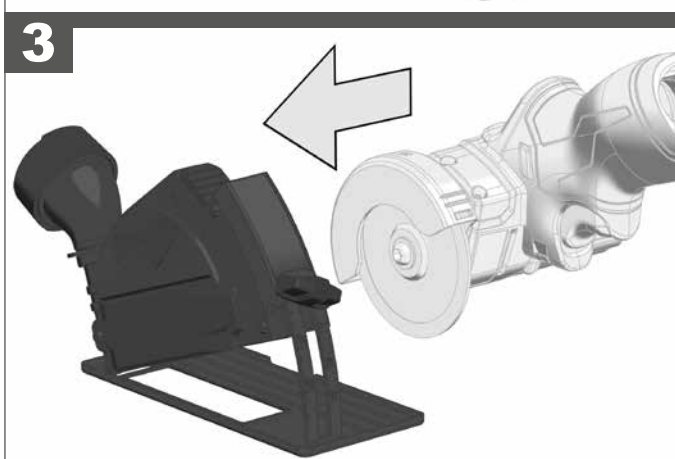
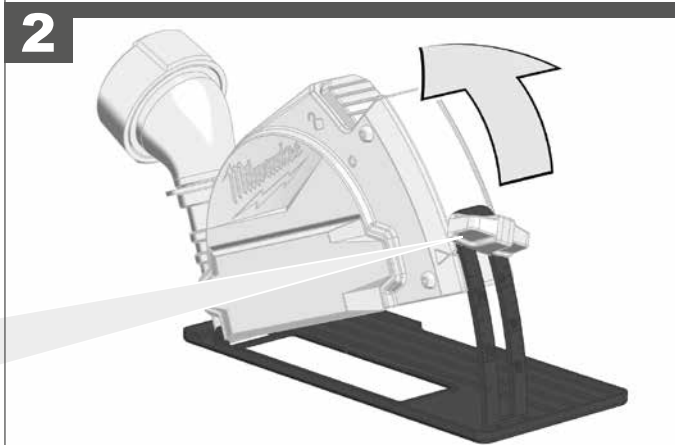
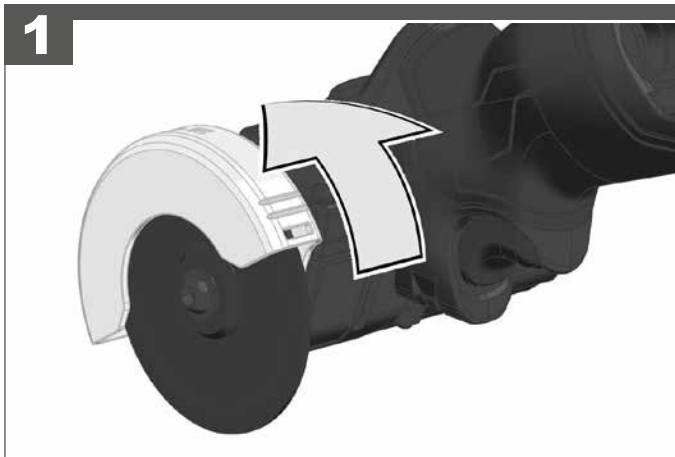
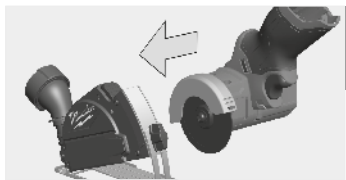
click...click...click...click...

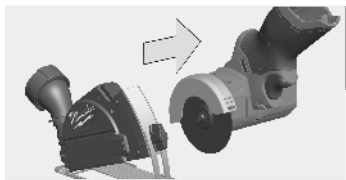


2

click...click...click...click...



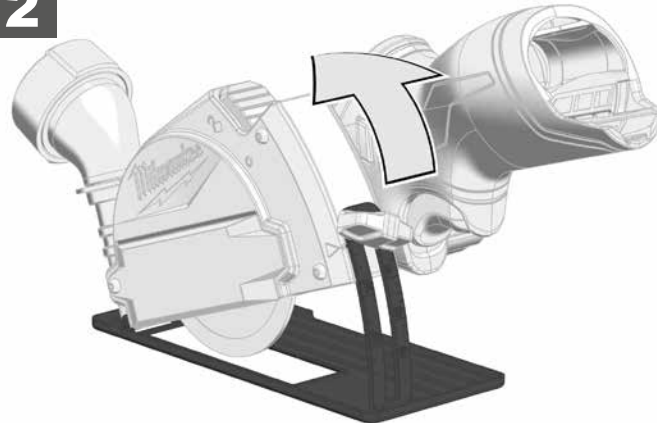




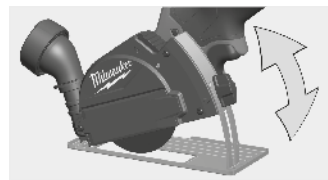
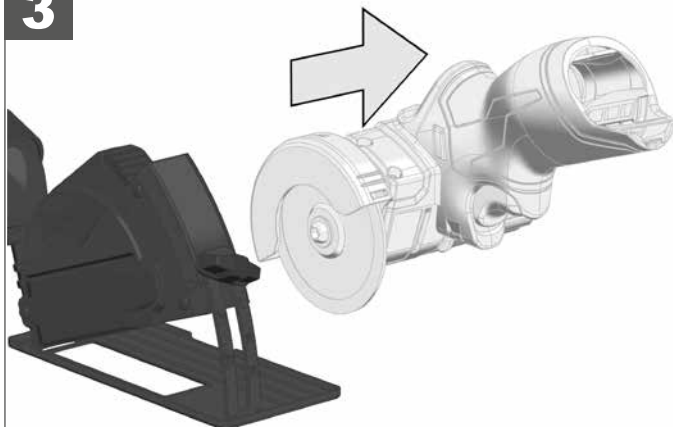
1



2



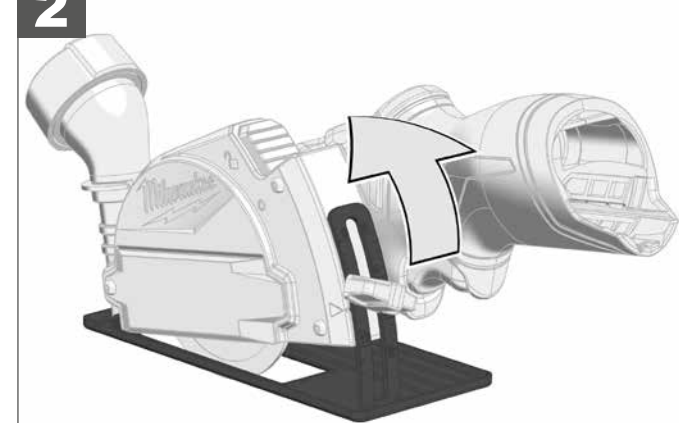
3



1



2



3



Adjust the cutting depth to the thickness of the workpiece.

Passen Sie die Schnitttiefe an die Dicke des Werkstücks an.

Adapter la profondeur de coupe à l'épaisseur de la pièce.

Adattare la profondità di taglio allo spessore del pezzo in lavorazione.

Adaptar la profundidad de corte al grosor de la pieza de trabajo.

Adaptar a profundidade de corte à espessura da peça a ser trabalhada.

Pas de snijdiepte aan de dikte van het werkstuk aan.

Tilpas skæredybden efter arbejdsemnets tykkelse.

Tilpass skjæredybden til tykkelsen på arbejdsstykket.

Anpassa sågdjupet till arbetsstyckets tjocklek.

Aseta leikkaussyvyys työkappaleen paksuuden mukaan.

Προσαρμόστε το βάθος κοπής στο πάχος του υπό κατεργασία τεμαχίου.

Kesme derinliğini iş parçasının kalınlığına göre ayarlayın.

Prizpůsobte hĺoubku řezu tloušťce obrobku.

Hrúbku rezu prispôsobte hrúbke obrobka.

Głębokość cięcia należy dopasować do grubości obrabianego przedmiotu.

A vágási mélységet a munkadarab vastagságának megfelelően kell megválasztani.

Prosimo, da globino reza prilagodite debelini obdelovanca.

Prilagodite dubinu rezanja debljini izratka.

Izvēlieties zāļģšanas dziļumu, kas atbilst zāļģjamā priekšmeta biezumam.

Pjovimo gylą tinkamai nustatykite pagal ruošinio storą.

Kohandage lõikesügavus tooriku paksusega.

Установливайте глубину реза в соответствии с толщиной детали.

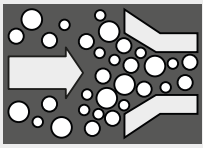
Винаги настройвайте дълбочината на рязане съобразно дебелината на стената на обработвания детайл.

Adaptați adâncimea de tăiere la grosimea piesei de lucru.

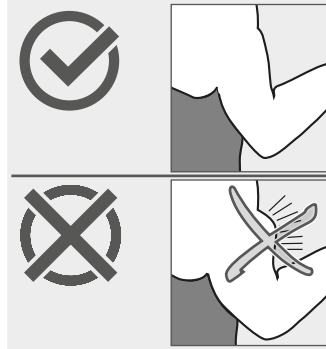
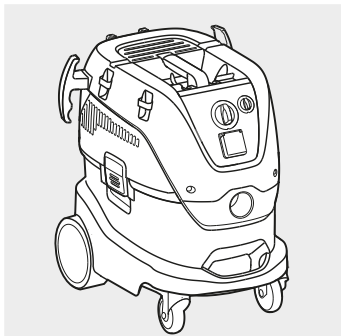
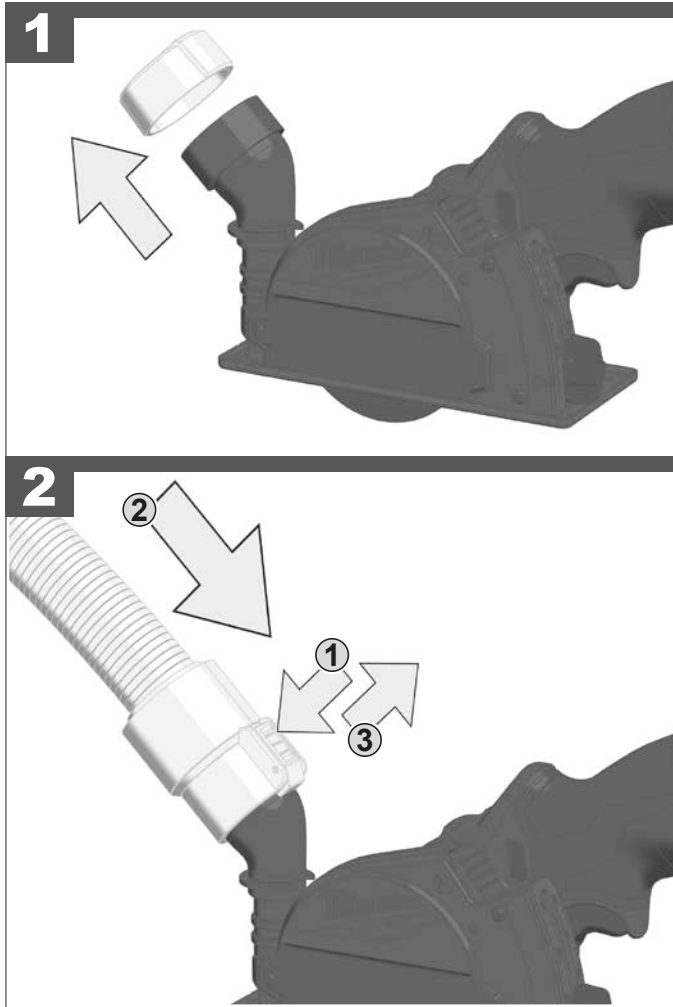
Прилагодете ја длабочината на засекот во зависност од густината на обработуваното парче.

Глибина різання повинна відповідати товщині заготовки.

اضبط عمق القطع وفقاً لسماك قطعة العمل.



Accessory
Zubehör
Accessoire
Accessorio
Accessório
Toebehoren
Tilbehør
Tilbehør
Tillbehör
Lisälaite
Εξαρτήματα
Aksesuar
Příslušenství
Príslušenstvo
Element wyposażenia dodatkowego
Tartozék
Oprema
Pribor
Papildus aprīkojums
Priedas
Tarvikud
Дополнитель
Акcesoар
Accesorii
Комплектуочи
ق ح ل م ا



Adjust the cutting depth to the thickness of the workpiece.
Passen Sie die Schnitttiefe an die Dicke des Werkstücks an.
Adapter la profondeur de coupe à l'épaisseur de la pièce.
Adattare la profondità di taglio allo spessore del pezzo in lavorazione.
Adaptar la profundidad de corte al grosor de la pieza de trabajo.
Adaptar a profundidade de corte à espessura da peça a ser trabalhada.
Pas de zaagdiepte aan de dikte van het werkstuk aan.

Tilpas skæredybden efter arbejdsemnets tykkelse.
Tilpass skjæredybden til tykkelsen på arbejdsstykket.

Anpassa sågdjupet till arbetsstyckets tjocklek.

Aseta leikkaussyvyys työkalpaleen paksuuden mukaan.

Προσαρμόστε το βάθος κοπής στο πάχος του υπό κατεργασία τεμαχίου.

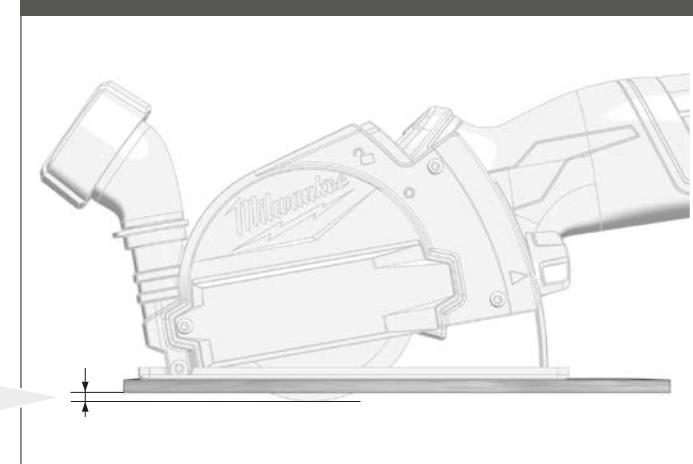
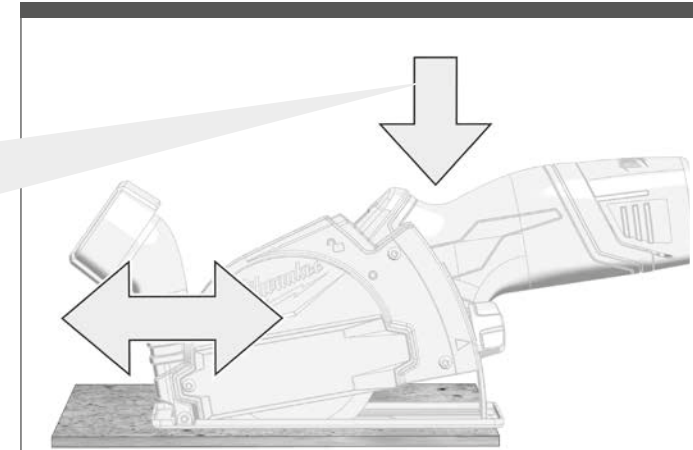
Kesme derinliğini iş parçasının kalınlığına göre ayarlayın.

Prizpůsobte hloubku řezu tloušťce obrobku.

Hrúbku rezu prispôbte hrúbke obrobka.

Głębokość cięcia należy dopasować do grubości obrabianego przedmiotu.

A vágási mélységet a munkadarab vastagságának megfelelően kell megválasztani.



Prosimo, da globino reza prilagodite debelini obdelovanca.

Prilagodite dubinu rezanja debljini izratka.

Izvēlieties zāiņšanas dziļumu, kas atbilst zāiņjamā priekšmeta biezumam.

Pļovimo gylā tinkamai nustatykite pagal ruošinio storą.

Kohandage lõikesügavus tooriku paksusega.

Устанавливайте глубину реза в соответствии с толщиной детали.

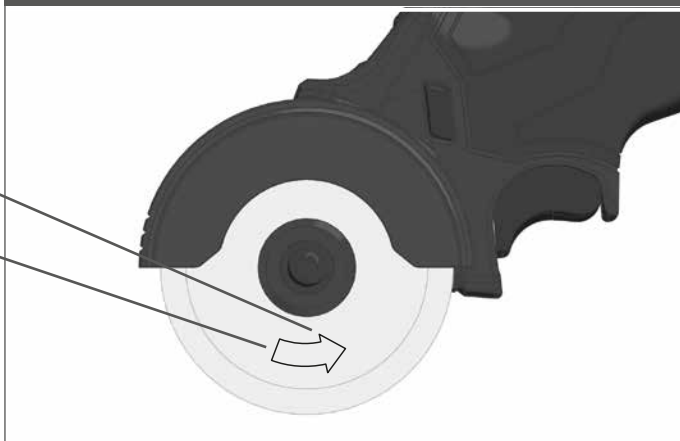
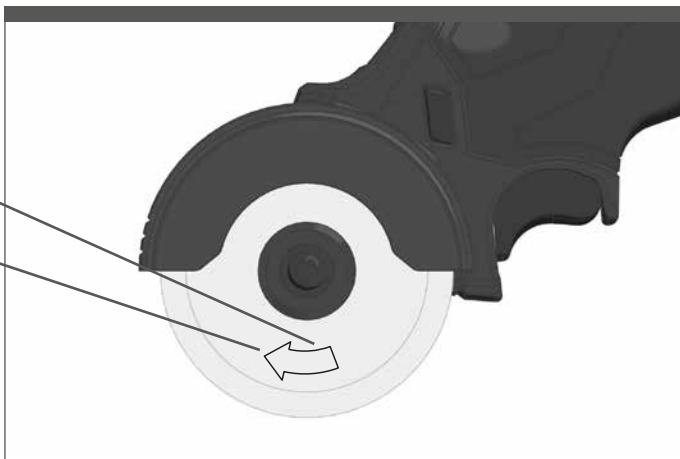
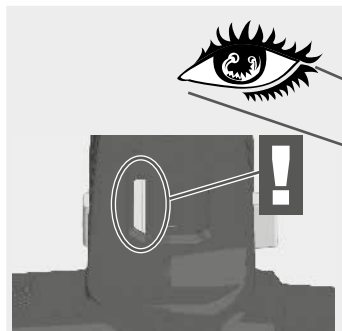
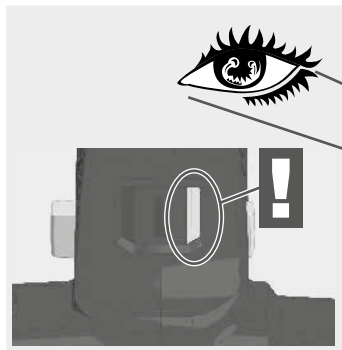
Винаги настройвайте дълбочината на рязане съобразно дебелината на стената на обработвания детайл.

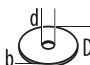
Adaptați adâncimea de tăiere la grosimea piesei de lucru.

Прилагодете ја длабочината на засекот во зависност од густината на обработуваното парче.

Глибина різання повинна відповідати товщині заготовки.

اضبط عمق القطع وفقاً لسُمك قطعة العمل.



Production code.....	4679 85 02...	...000001-999999
Rated speed	20000 min ⁻¹	
 D=Cutting disk diameter max.	76 mm	
d=hole diameter.....	10 mm	
b=Cutting disk thickness min. / max.....	1 mm / 3,2 mm	
Cutting depth	16,3 mm	
Cutting width	min. 1 mm / max. 3,2 mm	
Battery voltage.....	12 V	
Weight according EPTA-Procedure 01/2014 (6.0 Ah)	1,3 kg	
Recommended ambient operating temperature	-18...+50 °C	
Recommended battery types.....	M12B2...M12B6	
Recommended charger.....	C12C,M12C4, M12-18AC,M12-18C, M12-18C3, M12-18FC,...	

Noise/vibration information (cutting concrete)

Measured values determined according to EN 60 745.

Typically, the A-weighted noise levels of the tool are:

Sound power level (Uncertainty K=3dB(A))..... 105 dB (A)

Sound pressure level (Uncertainty K=3dB(A))..... 94 dB (A)

Wear ear protectors!

Total vibration values (vector sum in the three axes)

determined according to EN 60745.

Vibration emission value a_{n,SG}..... 2,9 m/s²

Uncertainty K..... 1,5 m/s²

WARNING

The vibration emission level given in this information sheet has been measured in accordance with a standardised test given in EN 60745 and may be used to compare one tool with another. It may be used for a preliminary assessment of exposure.

The declared vibration emission level represents the main applications of the tool. However if the tool is used for different applications, with different accessories or poorly maintained, the vibration emission may differ. This may significantly increase the exposure level over the total working period.

An estimation of the level of exposure to vibration should also take into account the times when the tool is switched off or when it is running but not actually doing the job. This may significantly reduce the exposure level over the total working period.

Identify additional safety measures to protect the operator from the effects of vibration such as: maintain the tool and the accessories, keep the hands warm, organisation of work patterns.

⚠ WARNING! Read all safety warnings and all instructions. Failure to follow the warnings and instructions may result in electric shock, fire and/or serious injury. **Save all warnings and instructions for future reference.**

⚠ CUT-OFF MACHINE SAFETY WARNINGS

a) The guard provided with the tool must be securely attached to the power tool and positioned for maximum safety, so the least amount of wheel is exposed towards the operator. Position yourself and bystanders away from the plane of the rotating wheel. The guard helps to protect operator from broken wheel fragments and accidental contact with wheel.

b) Use only bonded reinforced or diamond cut-off wheels for your power tool. Just because an accessory can be attached to your power tool, it does not assure safe operation.

c) The rated speed of the accessory must be at least equal to the maximum speed marked on the power tool. Accessories running faster than their rated speed can break and fly apart.

d) Wheels must be used only for recommended applications. For example: do not grind with the side of cut-off wheel. Abrasive cut-off wheels are intended for peripheral grinding, side forces applied to these wheels may cause them to shatter.

e) Always use undamaged wheel flanges that are of correct diameter for your selected wheel. Proper wheel flanges support the wheel thus reducing the possibility of wheel breakage.

f) Do not use worn down reinforced wheels from larger power tools. Wheels intended for a larger power tool are not suitable for the higher speed of a smaller tool and may burst.

g) The outside diameter and the thickness of your accessory must be within the capacity rating of your power tool. Incorrectly sized accessories cannot be adequately guarded or controlled.

h) The arbour size of wheels and flanges must properly fit the spindle of the power tool. Wheels and flanges with arbour holes that do not match the mounting hardware of the power tool will run out of balance, vibrate excessively and may cause loss of control.

i) Do not use damaged wheels. Before each use, inspect the wheels for chips and cracks. If power tool or wheel is dropped, inspect for damage or install an undamaged wheel. After inspecting and installing the wheel, position yourself and bystanders away from the plane of the rotating wheel and run the power tool at maximum no load speed for one minute. Damaged wheels will normally break apart during this test time.

j) Wear personal protective equipment. Depending on application, use face shield, safety goggles or safety glasses. As appropriate, wear dust mask, hearing protectors, gloves and shop apron capable of stopping small abrasive or workpiece fragments. The eye protection must be capable of stopping flying debris generated by various operations. The dust mask or respirator must be capable of filtering particles generated by your operation. Prolonged exposure to high intensity noise may cause hearing loss.

k) Keep bystanders a safe distance away from work area. Anyone entering the work area must wear personal protective equipment. Fragments of workpiece or of a broken wheel may fly away and cause injury beyond immediate area of operation.

l) Hold the power tool by insulated gripping surfaces only, when performing an operation where the cutting accessory may contact hidden wiring or its own cord. Cutting accessory contacting a „live“ wire may make exposed metal parts of the power tool „live“ and could give the operator an electric shock.

m) Position the cord clear of the spinning accessory. If you lose control, the cord may be cut or snagged and your hand or arm may be pulled into the spinning accessory.

n) Never lay the power tool down until the accessory has come to a complete stop. The spinning wheel may grab the surface and pull the power tool out of your control.

o) Do not run the power tool while carrying it at your side. Accidental contact with the spinning accessory could snag your clothing, pulling the accessory into your body.

p) Regularly clean the power tool's air vents. The motor's fan will draw the dust inside the housing and excessive accumulation of powdered metal may cause electrical hazards.

q) Do not operate the power tool near flammable materials. Sparks could ignite these materials.

r) Do not use accessories that require liquid coolants. Using water or other liquid coolants may result in electrocution or shock.

Further safety instructions for abrasive cutting-off operations**Kickback and related warnings**

Kickback is a sudden reaction to a pinched or snagged rotating wheel. Pinching or snagging causes rapid stalling of the rotating wheel which in turn causes the uncontrolled power tool to be forced in the direction opposite of the wheel's rotation at the point of the binding.

For example, if an abrasive wheel is snagged or pinched by the workpiece, the edge of the wheel that is entering into the pinch point can dig into the surface of the material causing the wheel to climb out or kick out. The wheel may either jump toward or away from the operator, depending on direction of the wheel's movement at the point of pinching. Abrasive wheels may also break under these conditions.

Kickback is the result of power tool misuse and/or incorrect operating procedures or conditions and can be avoided by taking proper precautions as given below.

a) Maintain a firm grip on the power tool and position your body and arm to allow you to resist kickback forces. Always use auxiliary handle, if provided, for maximum control over kickback or torque reaction during start-up. The operator can control torque reactions or kickback forces, if proper precautions are taken.

b) Never place your hand near the rotating accessory. Accessory may kickback over your hand.

c) Do not position your body in line with the rotating wheel. Kickback will propel the tool in direction opposite to the wheel's movement at the point of snagging.

d) Use special care when working corners, sharp edges etc. Avoid bouncing and snagging the accessory. Corners, sharp edges or bouncing have a tendency to snag the rotating accessory and cause loss of control or kickback.

e) Do not attach a saw chain, woodcarving blade, segmented diamond wheel with a peripheral gap greater than 10 mm or toothed saw blade. Such blades create frequent kickback and loss of control.

f) Do not "jam" the wheel or apply excessive pressure. Do not attempt to make an excessive depth of cut. Overstressing the wheel increases the loading and suscep-

tibility to twisting or binding of the wheel in the cut and the possibility of kickback or wheel breakage.

g) When wheel is binding or when interrupting a cut for any reason, switch off the power tool and hold the power tool motionless until the wheel comes to a complete stop. Never attempt to remove the wheel from the cut while the wheel is in motion otherwise kickback may occur. Investigate and take corrective action to eliminate the cause of wheel binding.

h) Do not restart the cutting operation in the workpiece. Let the wheel reach full speed and carefully re-enter the cut. The wheel may bind, walk up or kickback if the power tool is restarted in the workpiece.

i) Support panels or any oversized workpiece to minimize the risk of wheel pinching and kickback. Large workpieces tend to sag under their own weight. Supports must be placed under the workpiece near the line of cut and near the edge of the workpiece on both sides of the wheel.

j) Use extra caution when making a "pocket cut" into existing walls or other blind areas. The protruding wheel may cut gas or water pipes, electrical wiring or objects that can cause kickback.

ADDITIONAL SAFETY AND WORKING INSTRUCTIONS

The rated speed of the accessory must be at least equal to the maximum speed marked on the power tool. Accessories running faster than their rated speed can break and fly apart.

Use protective equipment. Always wear safety glasses when working with the machine. The use of protective clothing is recommended, such as dust mask, protective gloves, sturdy non-slip footwear, helmet and ear defenders.

WARNING To reduce the risk of injury in applications that produce a considerable amount of dust, use a Milwaukee dust extraction solution in accordance with the solution's operating instructions.

The dust produced when using this tool may be harmful to health. Do not inhale the dust. Wear a suitable dust protection mask.

Do not machine any materials that present a danger to health (e.g. asbestos).

Switch the device off immediately if the insertion tool stalls! Do not switch the device on again while the insertion tool is stalled, as doing so could trigger a sudden recoil with a high reactive force. Determine why the insertion tool stalled and rectify this, paying heed to the safety instructions.

The possible causes may be:

- it is tilted in the workpiece to be machined
- it has pierced through the material to be machined
- the power tool is overloaded

Do not reach into the machine while it is running.

The insertion tool may become hot during use.

- when changing tools
- when setting the device down

When working in walls ceiling, or floor, take care to avoid electric cables and gas or waterpipes.

Remove the battery pack before starting any work on the machine.

Do not dispose of used battery packs in the household refuse or by burning them. Milwaukee Distributors offer to retrieve old batteries to protect our environment.

Do not store the battery pack together with metal objects (short circuit risk).

Use only System M12 chargers for charging System M12 battery packs. Do not use battery packs from other systems.

Never break open battery packs and chargers and store only in dry rooms. Keep dry at all times.

Battery acid may leak from damaged batteries under extreme load or extreme temperatures. In case of contact

with battery acid wash it off immediately with soap and water. In case of eye contact rinse thoroughly for at least 10 minutes and immediately seek medical attention.

Warning! To reduce the risk of fire, personal injury, and product damage due to a short circuit, never immerse your tool, battery pack or charger in fluid or allow a fluid to flow inside them. Corrosive or conductive fluids, such as seawater, certain industrial chemicals, and bleach or bleach containing products, etc., can cause a short circuit.

SPECIFIED CONDITIONS OF USE

This cut-off tool is intended to be used to cut different materials.

Do not use this product in any other way as stated for normal use.

To reduce the risk of and injury, only use Type "1" abrasive and diamond wheels with a maximum 3,2 mm thickness, rated with a maximum safe operating speed at least 20,000 min-1. Type 1 wheels are for side grinding only, not surface grinding. Read all safety information supplied with cut-off wheels.

Use the chart below to choose the correct wheel. Different types of wheels work best for different materials. Follow the use recommendations from the wheel manufacturer.

Wheel Type	Recommended for Cutting
Carbide Abrasive Wheel	Drywall, Fiber Cement, Plastic
Abrasive Cut-off wheel	Steel, Stainless Steel, Non-Ferrous Materials
Diamond Abrasive Wheel	Tile, Concrete, Brick, Ceramics

EC-DECLARATION OF CONFORMITY

We declare under our sole responsibility that the product described under "Technical Data" fulfills all the relevant provisions of the directives 2011/65/EU (RoHS), 2014/30/EU, 2006/42/EC and the following harmonized standards have been used:

EN 60745-1:2009+A11:2010
EN 60745-2-22:2011+A11:2013
EN 55014-1:2017+A11:2020
EN 55014-2:2015
EN IEC 63000:2018

Winnenden, 2020-10-29


Alexander Krug
Managing Director



Authorized to compile the technical file.

Techtronic Industries GmbH
Max-Eyth-Straße 10
71364 Winnenden
Germany

GB-DECLARATION OF CONFORMITY

We declare as the manufacturer under our sole responsibility that the product described under "Technical Data" fulfills all the relevant provisions of the following Regulations S.I. 2008/1597 (as amended), S.I. 2016/1091 (as amended), S.I. 2012/3032 (as amended) and that the following designated standards have been used:

BS EN 60745-1:2009+A11:2010
BS EN 60745-2-22:2011+A11:2013
BS EN 55014-1:2017+A11:2020
BS EN 55014-2:2015
BS EN IEC 63000:2018

Winnenden, 2020-10-29


Alexander Krug
Managing Director

Authorized to compile the technical file.

Techtronic Industries GmbH
Max-Eyth-Straße 10
71364 Winnenden
Germany

BATTERIES

Battery packs which have not been used for some time should be recharged before use.

Temperatures in excess of 50°C (122°F) reduce the performance of the battery pack. Avoid extended exposure to heat or sunshine (risk of overheating).

The contacts of chargers and battery packs must be kept clean.

For an optimum life-time, the battery packs have to be fully charged, after used.

To obtain the longest possible battery life remove the battery pack from the charger once it is fully charged.

For battery pack storage longer than 30 days:
Store the battery pack where the temperature is below 27°C and away from moisture

Store the battery packs in a 30% - 50% charged condition
Every six months of storage, charge the pack as normal.

BATTERY PACK PROTECTION LI-ION BATTERY

The battery pack has overload protection that protects it from being overloaded and helps to ensure long life. Under extreme stress the battery electronics switch off the machine automatically. To restart, switch the machine off and then on again. If the machine does not start up again, the battery pack may have discharged completely. In this case it must be recharged in the battery charger.

TRANSPORTING LITHIUM BATTERIES

Lithium-ion batteries are subject to the Dangerous Goods Legislation requirements.

Transportation of those batteries has to be done in accordance with local, national and international provisions and regulations.

- The user can transport the batteries by road without further requirements.
- Commercial transport of Lithium-Ion batteries by third parties is subject to Dangerous Goods regulations. Transport preparation and transport are exclusively to be carried out by appropriately trained persons and the process has to be accompanied by corresponding experts.

When transporting batteries:

- Ensure that battery contact terminals are protected and insulated to prevent short circuit.
- Ensure that battery pack is secured against movement within packaging.
- Do not transport batteries that are cracked or leak.

Check with forwarding company for further advice

MAINTENANCE

The ventilation slots of the machine must be kept clear at all times.

Be sure to disconnect the tool from the power supply before attaching or removing the saw blade.

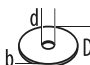
Clean tool and guarding system with dry cloth. Certain cleaning agents and solvents are harmful to plastics and other insulated parts. Keep the apparatus handle clean, dry and free of spill oil or grease. Check the function of guards. Regular maintenance and cleaning provide for a long service life and safe handling.

Use only Milwaukee accessories and Milwaukee spare parts. Should components need to be replaced which have not been described, please contact one of our Milwaukee service agents (see our list of guarantee/service addresses).

If needed, an exploded view of the tool can be ordered. Please state the machine type printed as well as the six-digit No. on the label and order the drawing at your local service agents or directly at: Techtronic Industries GmbH, Max-Eyth-Straße 10, 71364 Winnenden, Germany.

SYMBOLS

	CAUTION! WARNING! DANGER!
	Remove the battery pack before starting any work on the machine.
	Please read the instructions carefully before starting the machine.
	Wear gloves!
	Wear ear protectors!
	Always wear goggles when using the machine. Wear a suitable dust protection mask.
	Accessory - Not included in standard equipment, available as an accessory.
	Do not dispose electric tools, batteries/rechargeable batteries together with household waste material. Electric tools and batteries that have reached the end of their life must be collected separately and returned to an environmentally compatible recycling facility. Check with your local authority or retailer for recycling advice and collection point.
	European Conformity Mark
	British Conformity Mark
	Ukraine Conformity Mark
	EurAsian Conformity Mark

Produktionsnummer	4679 85 02...
	...000001-999999
Nennndrehzahl	20000 min ⁻¹
 D=Diamant-Trennscheiben-ø max.	76 mm
d=Bohrungs-ø	10 mm
b=Trennscheibendicke min. / max.	1 mm / 3,2 mm
Schnitttiefe	16,3 mm
Schnittbreite	min. 1 mm / max. 3,2 mm
Spannung Wechselakku	12 V
Gewicht nach EPTA-Prozedur 01/2014 (6,0 Ah)	1,3 kg
Empfohlene Umgebungstemperatur beim Arbeiten	-18...+50 °C
Empfohlene Akkutypen	M12B2...M12B6
Empfohlene Ladegeräte	C12C,M12C4, M12-18AC,M12-18C, M12-18C3, M12-18FC,...

Geräusch/Vibrationsinformation (Beton schneiden)

Messwerte ermittelt entsprechend EN 60 745.
 Der A-bewertete Geräuschpegel des Gerätes beträgt typischerweise:
 Schalldruckpegel (Unsicherheit K=3dB(A)) 105 dB (A)
 Schalleistungspegel (Unsicherheit K=3dB(A)) 94 dB (A)
Gehörschutz tragen!

Schwingungsgesamtwerte (Vektorsumme dreier Richtungen)
 ermittelt entsprechend EN 60745.
 Schwingungsemissionswert a_{h,sc} 2,9 m/s²
 Unsicherheit K = 1,5 m/s²

WARNUNG

Der in diesen Anweisungen angegebene Schwingungspegel ist entsprechend einem in EN 60745 genormten Messverfahren gemessen worden und kann für den Vergleich von Elektrowerkzeugen miteinander verwendet werden. Er eignet sich auch für eine vorläufige Einschätzung der Schwingungsbelastung.

Der angegebene Schwingungspegel repräsentiert die hauptsächlichen Anwendungen des Elektrowerkzeugs. Wenn allerdings das Elektrowerkzeug für andere Anwendungen, mit abweichenden Einsatzwerkzeugen oder ungenügender Wartung eingesetzt wird, kann der Schwingungspegel abweichen. Dies kann die Schwingungsbelastung über den gesamten Arbeitszeitraum deutlich erhöhen.

Für eine genaue Abschätzung der Schwingungsbelastung sollten auch die Zeiten berücksichtigt werden, in denen das Gerät abgeschaltet ist oder zwar läuft, aber nicht tatsächlich im Einsatz ist. Dies kann die Schwingungsbelastung über den gesamten Arbeitszeitraum deutlich reduzieren.

Legen Sie zusätzliche Sicherheitsmaßnahmen zum Schutz des Bedieners vor der Wirkung von Schwingungen fest wie zum Beispiel: Wartung von Elektrowerkzeug und Einsatzwerkzeugen, Warmhalten der Hände, Organisation der Arbeitsabläufe.

⚠️ WARNUNG! Lesen Sie alle Sicherheitshinweise und Anweisungen. Versäumnisse bei der Einhaltung der Sicherheitshinweise und Anweisungen können elektrischen Schlag, Brand und/oder schwere Verletzungen verursachen. **Bewahren Sie alle Sicherheitshinweise und Anweisungen für die Zukunft auf.**

⚠️ SICHERHEITSHINWEISE FÜR TRENNSCHEIFMASCHINEN

- a) Die zum Elektrowerkzeug gehörende Schutzhaube muss sicher angebracht und so eingestellt sein, dass ein Höchstmaß an Sicherheit erreicht wird, d. h. der kleinstmögliche Teil des Schleifkörpers zeigt offen zur Bedienperson. Halten Sie und in der Nähe befindliche Personen sich außerhalb der Ebene der rotierenden Schleifscheibe. Die Schutzhaube soll die Bedienperson vor Bruchstücken und zufälligem Kontakt mit dem Schleifkörper schützen.
- b) Verwenden Sie ausschließlich gerade verstärkte oder diamantbesetzte Trennscheiben für Ihr Elektrowerkzeug. Nur weil Sie das Zubehör an Ihrem Elektrowerkzeug befestigen können, garantiert das keine sichere Verwendung.
- c) Die zulässige Drehzahl des Einsatzwerkzeugs muss mindestens so hoch sein wie die auf dem Elektrowerkzeug angegebene Höchstdrehzahl. Zubehör, das sich schneller als zulässig dreht, kann zerbrechen und umherfliegen.
- d) Schleifkörper dürfen nur für die empfohlenen Einsatzmöglichkeiten verwendet werden. Z.B.: Schleifen Sie nie mit der Seitenfläche einer Trennscheibe.

Trennscheiben sind zum Materialabtrag mit der Kante der Scheibe bestimmt. Seitliche Kräfteinwirkung auf diese Schleifkörper kann sie zerbrechen.

- e) Verwenden Sie immer unbeschädigte Spannflechte in der richtigen Größe für die von Ihnen gewählte Trennscheibe. Geeignete Flansche stützen die Trennscheibe und verringern so die Gefahr eines Trennscheibenbruchs.
- f) Verwenden Sie keine abgenutzten Schleifscheiben von größeren Elektrowerkzeugen. Schleifscheiben für größere Elektrowerkzeuge sind nicht für die höheren Drehzahlen von kleineren Elektrowerkzeugen ausgelegt und können brechen.
- g) Außendurchmesser und Dicke des Einsatzwerkzeugs müssen den Maßangaben Ihres Elektrowerkzeugs entsprechen. Falsch bemessene Einsatzwerkzeuge können nicht ausreichend abgeschirmt oder kontrolliert werden.
- h) Schleifscheiben und Flansche müssen genau auf die Schleifspindel Ihres Elektrowerkzeugs passen. Einsatzwerkzeuge, die nicht genau auf die Schleifspindel des Elektrowerkzeugs passen, drehen sich ungleichmäßig, vibrieren sehr stark und können zum Verlust der Kontrolle führen.
- i) Verwenden Sie keine beschädigten Schleifscheiben. Kontrollieren Sie vor jeder Verwendung die Schleifscheiben auf Absplinterungen und Risse. Wenn das Elektrowerkzeug oder die Schleifscheibe herunterfällt, überprüfen Sie, ob es beschädigt ist, oder verwenden Sie eine unbeschädigte Schleifscheibe. Wenn Sie die Schleifscheibe kontrolliert und eingesetzt haben, halten Sie und in der Nähe befindliche Personen sich außerhalb der Ebene der rotierenden Schleifscheibe und lassen Sie das Gerät eine Minute lang mit Höchstdreh-

zahl laufen. Beschädigte Schleifscheiben brechen meist in dieser Testzeit.

j) Tragen Sie persönliche Schutzausrüstung. Verwenden Sie je nach Anwendung Vollgesichtsschutz, Augenschutz oder Schutzbrille. Soweit angemessen, tragen Sie Staubmaske, Gehörschutz, Schutzhandschuhe oder Spezialschürze, die kleine Schleif- und Materialpartikel von Ihnen fernhält. Die Augen sollen vor herumfliegenden Fremdkörpern geschützt werden, die bei verschiedenen Anwendungen entstehen. Staub oder Atemschutzmaske müssen den bei der Anwendung entstehenden Staub filtern. Wenn Sie lange lauten Lärm ausgesetzt sind, können Sie einen Hörverlust erleiden.

k) Achten Sie bei anderen Personen auf sicheren Abstand zu Ihrem Arbeitsbereich. Jeder, der den Arbeitsbereich betritt, muss persönliche Schutzausrüstung tragen. Bruchstücke des Werkstücks oder gebrochener Einsatzwerkzeuge können wegfiegen und Verletzungen auch außerhalb des direkten Arbeitsbereichs verursachen.

l) Halten Sie das Elektrowerkzeug nur an den isolierten Griffflächen, wenn Sie Arbeiten ausführen, bei denen das Einsatzwerkzeug verborgene Stromleitungen oder das eigene Netzkabel treffen kann. Der Kontakt mit einer spannungsführenden Leitung kann metallene Geräteteile unter Spannung setzen und zu einem elektrischen Schlag führen.

m) Halten Sie das Netzkabel von sich drehenden Einsatzwerkzeugen fern. Wenn Sie die Kontrolle über das Elektrowerkzeug verlieren, kann das Netzkabel durchtrennt oder erfasst werden und Ihre Hand oder Ihr Arm in das sich drehende Einsatzwerkzeug geraten.

n) Legen Sie das Elektrowerkzeug niemals ab, bevor das Einsatzwerkzeug völlig zum Stillstand gekommen ist. Das sich drehende Einsatzwerkzeug kann in Kontakt mit der Ablagefläche geraten, wodurch Sie die Kontrolle über das Elektrowerkzeug verlieren können.

o) Lassen Sie das Elektrowerkzeug nicht laufen, während Sie es tragen. Ihre Kleidung kann durch zufälligen Kontakt mit dem sich drehenden Einsatzwerkzeug erfasst werden, und das Einsatzwerkzeug sich in Ihren Körper bohren.

p) Reinigen Sie regelmäßig die Lüftungsschlitze Ihres Elektrowerkzeugs. Das Motorgebläse zieht Staub in das Gehäuse, und eine starke Ansammlung von Metallstaub kann elektrische Gefahren verursachen.

q) Verwenden Sie das Elektrowerkzeug nicht in der Nähe brennbarer Materialien. Funken können diese Materialien entzünden.

r) Verwenden Sie keine Einsatzwerkzeuge, die flüssige Kühlmittel erfordern. Die Verwendung von Wasser oder anderen flüssigen Kühlmitteln kann zu einem elektrischen Schlag führen.

Weitere Sicherheitshinweise für Trennschleifanwendungen

Rückschlag und entsprechende Sicherheitshinweise

Rückschlag ist die plötzliche Reaktion infolge einer hakenden oder blockierten drehenden Schleifscheibe. Verhaken oder Blockieren führt zu einem abrupten Stopp des rotierenden Einsatzwerkzeugs. Dadurch wird ein unkontrolliertes Elektrowerkzeug gegen die Drehrichtung des Einsatzwerkzeugs an der Blockierstelle beschleunigt.

Wenn z. B. eine Schleifscheibe im Werkstück hakt oder blockiert, kann sich die Kante der Schleifscheibe, die in das Werkstück eintaucht, verfangen und dadurch die Schleifscheibe ausbrechen oder einen Rückschlag verursachen. Die Schleifscheibe bewegt sich dann auf die Bedienperson zu oder von ihr weg, je nach Drehrichtung der Scheibe an der Blockierstelle. Hierbei können Schleifscheiben auch brechen.

Ein Rückschlag ist die Folge eines falschen oder fehlerhaften Gebrauchs des Elektrowerkzeugs. Er kann

durch geeignete Vorsichtsmaßnahmen, wie nachfolgend beschrieben, verhindert werden.

a) Halten Sie das Elektrowerkzeug gut fest und bringen Sie Ihren Körper und Ihre Arme in eine Position, in der Sie die Rückschlagkräfte abfangen können. Verwenden Sie immer den Zusatzgriff, falls vorhanden, um die größtmögliche Kontrolle über Rückschlagkräfte oder Reaktionsmomente beim Hochlauf zu haben. Die Bedienperson kann durch geeignete Vorsichtsmaßnahmen die Rückschlag und Reaktionskräfte beherrschen.

b) Bringen Sie Ihre Hand nie in die Nähe sich drehender Einsatzwerkzeuge. Das Einsatzwerkzeug kann sich beim Rückschlag über Ihre Hand bewegen.

c) Meiden Sie den Bereich vor und hinter der rotierenden Trennscheibe. Der Rückschlag treibt das Elektrowerkzeug in die Richtung entgegengesetzt zur Bewegung der Schleifscheibe an der Blockierstelle.

d) Arbeiten Sie besonders vorsichtig im Bereich von Ecken, scharfen Kanten usw. Verhindern Sie, dass Einsatzwerkzeuge vom Werkstück zurückprallen und verkleben. Das rotierende Einsatzwerkzeug neigt bei Ecken, scharfen Kanten oder wenn es abprallt, dazu, sich zu verkleben. Dies verursacht einen Kontrollverlust oder Rückschlag.

e) Verwenden Sie kein Ketten- oder gezähntes Sägeblatt sowie keine segmentierte Diamantscheibe mit mehr als 10 mm breiten Schlitz. Solche Einsatzwerkzeuge verursachen häufig einen Rückschlag oder den Verlust der Kontrolle über das Elektrowerkzeug.

f) Vermeiden Sie ein Blockieren der Trennscheibe oder zu hohen Anpressdruck. Führen Sie keine übermäßig tiefen Schnitte aus. Eine Überlastung der Trennscheibe erhöht deren Beanspruchung und die Anfälligkeit zum Verhaken oder Blockieren und damit die Möglichkeit eines Rückschlags oder Schleifkörperbruchs.

g) Falls die Trennscheibe verklemt oder Sie die Arbeit unterbrechen, schalten Sie das Elektrowerkzeug aus und halten Sie es ruhig, bis die Scheibe zum Stillstand gekommen ist. Versuchen Sie nie, die noch laufende Trennscheibe aus dem Schnitt zu ziehen, sonst kann ein Rückschlag erfolgen. Ermitteln und beheben Sie die Ursache für das Verkleben.

h) Schalten Sie das Elektrowerkzeug nicht wieder ein, solange es sich im Werkstück befindet. Lassen Sie die Trennscheibe erst ihre volle Drehzahl erreichen, bevor Sie den Schnitt vorsichtig fortsetzen. Anderenfalls kann die Scheibe verhaken, aus dem Werkstück springen oder einen Rückschlag verursachen.

i) Stützen Sie Platten oder große Werkstücke ab, um das Risiko eines Rückschlags durch eine eingeklemmte Trennscheibe zu vermindern. Große Werkstücke können sich unter ihrem eigenen Gewicht durchbiegen. Das Werkstück muss auf beiden Seiten abgestützt werden, und zwar sowohl in der Nähe des Trennschnitts als auch an der Kante.

j) Seien Sie besonders vorsichtig bei „Taschenschnitten“ in bestehende Wände oder andere nicht einsehbare Bereiche. Die eintauchende Trennscheibe kann beim Schneiden in Gas oder Wasserleitungen, elektrische Leitungen oder andere Objekte einen Rückschlag verursachen.

WEITERE SICHERHEITS- UND ARBEITSHINWEISE

Die zulässige Drehzahl des Einsatzwerkzeugs muss mindestens so hoch sein wie die auf dem Elektrowerkzeug angegebene Höchstdrehzahl. Zubehör, das sich schneller als zulässig dreht, kann zerbrechen und umherfliegen.

Schutzausrüstung verwenden. Beim Arbeiten mit der Maschine stets Schutzbrille tragen. Schutzkleidung wie Staubschutzmaske, Schutzhandschuhe, festes und rutschsicheres Schuhwerk, Helm und Gehörschutz werden empfohlen.

WARNUNG Um das Verletzungsrisiko bei Arbeiten mit beträchtlicher Staubentwicklung zu reduzieren, empfehlen wir die Verwendung einer Milwaukee Staubabsaugung gemäß Bedienungsanleitung.

Beim Arbeiten entstehender Staub ist oft gesundheitsschädlich und sollte nicht in den Körper gelangen. Geeignete Staubschutzmaske tragen.

Es dürfen keine Materialien bearbeitet werden, von denen eine Gesundheitsgefährdung ausgeht (z.B. Asbest).

Beim Blockieren des Einsatzwerkzeuges bitte das Gerät sofort ausschalten! Schalten Sie das Gerät nicht wieder ein, solange das Einsatzwerkzeug blockiert ist; hierbei könnte ein Rückschlag mit hohem Reaktionsmoment entstehen. Ermitteln und beheben Sie die Ursache für die Blockierung des Einsatzwerkzeuges unter Berücksichtigung der Sicherheitshinweise.

Mögliche Ursachen dafür können sein:

- Verkanten im zu bearbeitenden Werkstück
- Durchbrechen des zu bearbeitenden Materials
- Überlasten des Elektrowerkzeuges

Greifen Sie nicht in die laufende Maschine.

Das Einsatzwerkzeug kann während der Anwendung heiß werden.

- bei Werkzeugwechsel
- bei Ablegen des Gerätes

Beim Arbeiten in Wand, Decke oder Fußboden auf elektrische Kabel, Gas- und Wasserleitungen achten.

Vor allen Arbeiten an der Maschine den Wechselakku herausnehmen

Verbrauchte Wechselakkus nicht ins Feuer oder in den Hausmüll werfen. Milwaukee bietet eine umweltgerechte Alt-Wechselakku-Entsorgung an; bitte fragen Sie Ihren Fachhändler.

Wechselakkus nicht zusammen mit Metallgegenständen aufbewahren (Kurzschlussgefahr).

Wechselakku des Systems M12 nur mit Ladegeräten des Systems M12 laden. Keine Akkus aus anderen Systemen laden.

Wechselakku und Ladegeräte nicht öffnen und nur in trockenen Räumen lagern. Vor Nässe schützen.

Unter extremer Belastung oder extremer Temperatur kann aus beschädigten Wechselakkus Batterieflüssigkeit auslaufen. Bei Berührung mit Batterieflüssigkeit sofort mit Wasser und Seife abwaschen. Bei Augenkontakt sofort mindestens 10 Minuten gründlich spülen und unverzüglich einen Arzt aufsuchen.

Warnung! Um die durch einen Kurzschluss verursachte Gefahr eines Brandes, von Verletzungen oder Produktbeschädigungen zu vermeiden, tauchen Sie das Werkzeug, den Wechselakku oder das Ladegerät nicht in Flüssigkeiten ein und sorgen Sie dafür, dass keine Flüssigkeiten in die Geräte und Akkus eindringen. Korrodierende oder leitfähige Flüssigkeiten, wie Salzwasser, bestimmte Chemikalien und Bleichmittel oder Produkte, die Bleichmittel enthalten, können einen Kurzschluss verursachen.

BESTIMMUNGSGEMÄSSE VERWENDUNG

Dieser Trennschleifer ist geeignet zum Trennen verschiedener Materialien.

Dieses Gerät darf nur wie angegeben bestimmungsgemäß verwendet werden.

Um das Verletzungsrisiko zu minimieren, verwenden Sie nur Diamantschleifscheiben vom Typ 1 mit einer maximalen Dicke von 3,2 mm, die mindestens bis zu einer Drehzahl von 20.000 min⁻¹ sicher betrieben werden können. Schleifscheiben vom Typ 1 eignen sich nur zum Seitenschleifen, nicht zum Planschleifen. Beachten Sie alle

Sicherheitshinweise, die mit den Trennschleifscheiben geliefert werden.

Verwenden Sie die nachstehende Übersicht zur Auswahl der passenden Schleifscheibe. Je nach Material sind unterschiedliche Schleifscheiben zu verwenden. Beachten Sie die Gebrauchshinweise des Schleifscheibenherstellers.

Scheibentyp	Zum Schleifen von
Karbid-schleifscheiben	Gipskarton, Faserzement, Kunststoff
Trennschleifscheiben	Stahl, Edelstahl, nichteisenhaltige Werkstoffe
Diamantschleifscheiben	Fliesen, Beton, Ziegelstein, Keramik

CE-KONFORMITÄTSERKLÄRUNG

Wir erklären in alleiniger Verantwortung, dass das unter „Technische Daten“ beschriebene Produkt mit alle relevanten Vorschriften der Richtlinie 2011/65/EU (RoHS), 2014/30/EU, 2006/42/EG und den folgenden harmonisierten normativen Dokumenten übereinstimmt:

EN 60745-1:2009+A11:2010
 EN 60745-2-22:2011+A11:2013
 EN 55014-1:2017+A11:2020
 EN 55014-2:2015
 EN IEC 63000:2018

Winnenden, 2020-10-29



Alexander Krug
 Managing Director



Bevollmächtigt die technischen Unterlagen zusammenzustellen

Techtronic Industries GmbH
 Max-Eyth-Straße 10
 71364 Winnenden
 Germany

AKKUS

Längere Zeit nicht benutzte Wechselakkus vor Gebrauch nachladen.

Eine Temperatur über 50°C vermindert die Leistung des Wechselakkus. Längere Erwärmung durch Sonne oder Heizung vermeiden.

Die Anschlusskontakte an Ladegerät und Wechselakku sauber halten.

Für eine optimale Lebensdauer müssen nach dem Gebrauch die Akkus voll geladen werden.

Für eine möglichst lange Lebensdauer sollten die Akkus nach dem Aufladen aus dem Ladegerät entfernt werden.

Bei Lagerung des Akkus länger als 30 Tage:
 Akku bei ca. 27°C und trocken lagern.
 Akku bei ca. 30%-50% des Ladezustandes lagern.
 Akku alle 6 Monate erneut aufladen.

AKKUÜBERLASTSCHUTZ LI-ION AKKU

Der Akkupack ist mit einem Überlastschutz ausgestattet, der den Akku vor Überlastung schützt und eine hohe Lebensdauer sicherstellt. Bei extrem starker Beanspruchung schaltet die Akkuelektronik die Maschine automatisch ab. Zum Weiterarbeiten Maschine Aus- und wieder Einschalten. Sollte die Maschine nicht wieder anlaufen, ist der Akkupack

möglicherweise entladen und muss im Ladegerät wieder aufgeladen werden.

TRANSPORT VON LITHIUM-IONEN-AKKUS

Lithium-Ionen-Akkus fallen unter die gesetzlichen Bestimmungen zum Gefahrguttransport.

Der Transport dieser Akkus muss unter Einhaltung der lokalen, nationalen und internationalen Vorschriften und Bestimmungen erfolgen.

- Verbraucher dürfen diese Akkus ohne Weiteres auf der Straße transportieren.
- Der kommerzielle Transport von Lithium-Ionen-Akkus durch Speditionsunternehmen unterliegt den Bestimmungen des Gefahrguttransports. Die Versandvorbereitungen und der Transport dürfen ausschließlich von entsprechend geschulten Personen durchgeführt werden. Der gesamte Prozess muss fachmännisch begleitet werden.

Folgende Punkte sind beim Transport von Akkus zu beachten:

- Stellen Sie sicher, dass die Kontakte geschützt und isoliert sind, um Kurzschlüsse zu vermeiden.
- Achten Sie darauf, dass der Akkupack innerhalb der Verpackung nicht verrutschen kann.
- Beschädigte oder auslaufende Akkus dürfen nicht transportiert werden.

Wenden Sie sich für weitere Hinweise an Ihr Speditionsunternehmen.

WARTUNG

Stets die Lüftungsschlitze der Maschine sauber halten.

Stellen Sie sicher, dass das Gerät von der Stromversorgung getrennt ist, bevor Sie das Sägeblatt anbringen oder abnehmen.

Reinigen Sie Gerät und Schutzeinrichtung mit einem trockenen Tuch. Manche Reinigungsmittel beschädigen Kunststoff oder andere isolierte Teile. Das Gerät sauber und trocken sowie frei von ausgetretenem Öl und Fett halten. Überprüfen Sie die Funktion der Schutzhauben. Regelmäßige Wartung und Reinigung sorgen für eine lange Lebensdauer und sichere Handhabung.

Nur Milwaukee Zubehör und Milwaukee Ersatzteile verwenden. Bauteile, deren Austausch nicht beschrieben wurde, bei einer Milwaukee Kundendienststelle auswechseln lassen (Broschüre Garantie/Kundendienstadressen beachten).

Bei Bedarf kann eine Explosionszeichnung des Gerätes unter Angabe der Maschinen Type und der sechsstelligen Nummer auf dem Leistungsschild bei Ihrer Kundendienststelle oder direkt bei Techtronic Industries GmbH, Max-Eyth-Straße 10, 71364 Winnenden, Germany angefordert werden.

SYMBOLE



ACHTUNG! WARNUNG! GEFAHR!



Vor allen Arbeiten an der Maschine den Wechselakku herausnehmen



Bitte lesen Sie die Gebrauchsanweisung vor Inbetriebnahme sorgfältig durch.



Schutzhandschuhe tragen!



Gehörschutz tragen!



Beim Arbeiten mit der Maschine stets Schutzbrille tragen.
 Geeignete Staubschutzmaske tragen.



Zubehör - Im Lieferumfang nicht enthalten, empfohlene Ergänzung aus dem Zubehörprogramm.



Elektrogeräte, Batterien/Akkus dürfen nicht zusammen mit dem Hausmüll entsorgt werden. Elektrische Geräte und Akkus sind getrennt zu sammeln und zur umweltgerechten Entsorgung bei einem Verwertungsbetrieb abzugeben. Erkundigen Sie sich bei den örtlichen Behörden oder bei Ihrem Fachhändler nach Recyclinghöfen und Sammelstellen.



Europäisches Konformitätszeichen



Britisches Konformitätszeichen

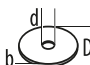


Ukrainisches Konformitätszeichen



Euroasiatisches Konformitätszeichen

CARACTÉRISTIQUES TECHNIQUES MEULE DE TRONÇONNAGE M12 FCOT

Numéro de série.....	4679 85 02... ...000001-999999
Vitesse de rotation nominale	20000 min ⁻¹
 D=Disques de coupe ø.....	76 mm
d=ø de perçage.....	10 mm
b=Épaisseur disque de coupe min. / max.	1 mm / 3,2 mm
Profondeur de coupe	16,3 mm
Largeur de coupe.....	min. 1 mm / max. 3,2 mm
Tension accu interchangeable.....	12 V
Poids suivant EPTA-Procédure 01/2014 (6,0 Ah)	1,3 kg
Température conseillée lors du travail	-18...+50 °C
Batteries conseillées	M12B2...M12B6
Chargeurs de batteries conseillés	C12C,M12C4, M12-18AC,M12-18C, M12-18C3, M12-18FC,...

Informations sur le bruit et les vibrations (couper du béton)

Valeurs de mesure obtenues conformément à la EN 60 745.

La mesure réelle (A) du niveau de bruit de l'outil est

Niveau de pression acoustique (Incertitude K=3dB(A))..... 105 dB (A)

Niveau d'intensité acoustique (Incertitude K=3dB(A))..... 94 dB (A)

Toujours porter une protection acoustique!

Valeurs totales des vibrations (somme vectorielle de trois sens) établies conformément à EN 60745.

Valeur d'émission vibratoire a_{h,SG}..... 2,9 m/s²Incertitude K=..... 1,5 m/s²**AVERTISSEMENT**

Le niveau vibratoire indiqué dans ces instructions a été mesuré selon un procédé de mesure normalisé dans la norme EN 60745 et peut être utilisé pour comparer des outils électriques entre eux. Il convient aussi à une estimation provisoire de la sollicitation par les vibrations.

Le niveau vibratoire indiqué représente les applications principales de l'outil électrique. Toutefois, si l'outil électrique est utilisé pour d'autres applications, avec des outils rapportés qui diffèrent ou une maintenance insuffisante, il se peut que le niveau vibratoire diverge. Cela peut augmenter nettement la sollicitation par les vibrations sur tout l'intervalle de temps du travail.

Pour une estimation précise de la sollicitation par les vibrations, on devrait également tenir compte des temps pendant lesquels l'appareil n'est pas en marche ou tourne sans être réellement en service. Cela peut réduire nettement la sollicitation par les vibrations sur tout l'intervalle de temps du travail.

Définissez des mesures de sécurité supplémentaires pour protéger l'utilisateur contre l'influence des vibrations, comme par exemple : la maintenance de l'outil électrique et des outils rapportés, le maintien au chaud des mains, l'organisation des déroulements de travail.

A **AVIS! Lire complètement les instructions et les indications de sécurité.** Le non-respect des avertissements et instructions indiqués ci après peut entraîner un choc électrique, un incendie et/ou de graves blessures sur les personnes.
Bien garder tous les avertissements et instructions.

INDICATIONS DE SÉCURITÉ CONCERNANT LES TRONÇONNEUSES

a) Le capot de protection du dispositif électrique doit être fixé d'une façon sûre et il doit être réglé en vue de garantir une sécurité max., c'est-à-dire que la portion de la meule abrasive exposée sans protection vers l'opérateur doit être minimale. L'opérateur et les personnes près de lui ne doivent pas se trouver dans le même plan du disque polisseur. Le capot de protection a le but de protéger l'opérateur des fragments et du contact inattendu avec la meule abrasive.

b) Avec le dispositif électrique n'employer que des disques polisseurs renforcés liés ou revêtus en diamant. La simple possibilité de fixation d'un certain accessoire sur le dispositif électrique ne garantit pas son utilisation en toute sécurité.

c) La vitesse assignée de l'accessoire doit être au moins égale à la vitesse maximale indiquée sur l'outil électrique. Les accessoires fonctionnant plus vite que leur vitesse assignée peuvent se rompre et voler en éclat.

d) Les meules doivent être utilisées uniquement pour les applications recommandées. Par exemple : ne

pas meuler avec le côté de la meule à tronçonner. Les meules à tronçonner abrasives sont destinées au meulage périphérique, l'application de forces latérales à ces meules peut les briser en éclats.

e) Utilisez toujours des brides de serrage non détériorées, de la bonne taille, adaptée à la meule que vous avez choisie. Les brides adaptées permettent de protéger la meule et réduisent ainsi le risque de rupture de la meule.

f) Ne pas utiliser de meules usées d'outils électriques plus grands. La meule destinée à un outil électrique plus grand n'est pas appropriée pour la vitesse plus élevée d'un outil plus petit et elle peut éclater.

g) Le diamètre extérieur et l'épaisseur des outils utilisés doivent correspondre aux cotes de l'outil électrique. Les outils dont la mesure a été effectuée de manière erronée ne peuvent pas être suffisamment blindés ou contrôlés.

h) Les disques polisseurs et les brides doivent avoir exactement la même mesure du dispositif électronique. Les accessoires n'ayant pas la même mesure de l'outil de serrage du dispositif électrique tourneront d'une manière déséquilibrée, vibreront d'une manière excessive et ils pourront provoquer la perte de contrôle.

i) Ne pas utiliser des disques polisseurs endommagés. Avant chaque utilisation contrôler la présence sur les disques polisseurs d'ébrèchements et de criques. En cas de chute du dispositif électrique ou du disque polisseur, contrôler la présence de dommages ou utiliser un disque polisseur intact. Après avoir contrôlé et monté un disque polisseur, assurez-vous que tant l'opérateur que les autres personnes près de lui ne se trouvent pas

dans le même plan du disque polisseur tournant et faire tourner le dispositif pour une minute au nombre max. de tours. Les disques polisseurs endommagés se cassent d'habitude durant cette période d'essai.

j) Porter un équipement de protection individuelle. En fonction de l'application, utiliser un écran facial, des lunettes de sécurité ou des verres de sécurité. Le cas échéant, utiliser un masque antipoussières, des protections auditives, des gants et un tablier capables d'arrêter les petits fragments abrasifs ou des pièces à usiner. La protection oculaire doit être capable d'arrêter les débris volants produits par les diverses opérations. Le masque antipoussières ou le respirateur doit être capable de filtrer les particules produites par vos travaux. L'exposition prolongée aux bruits de forte intensité peut provoquer une perte de l'audition.

k) Veillez à ce que les personnes tierces respectent une distance sûre par rapport à votre périmètre de travail. Toute personne qui pénètre dans le périmètre de travail doit porter des équipements de protection individuelle. Des fragments de la pièce usinée et d'outils rapportés brisés sont susceptibles de s'envoler et de provoquer des blessures mêmes en dehors du périmètre direct de travail.

l) Maintenez l'appareil par les surfaces de poignée isolées lorsque vous exécutez des travaux pendant lesquels l'outil de coupe peut toucher des lignes électriques dissimulées ou le propre câble. Le contact de l'outil de coupe avec un câble qui conduit la tension peut mettre les pièces métalliques de l'appareil sous tension et mener à une décharge électrique.

m) Placer le câble éloigné de l'accessoire de rotation. Si vous perdez le contrôle, le câble peut être coupé ou subir un accroç et votre main ou votre bras peut être tiré dans l'accessoire de rotation.

n) Ne jamais poser l'appareil électrique avant que l'outil rapporté soit entièrement à l'arrêt. L'outil rapporté en rotation est susceptible d'entrer en contact avec la surface de dépôt, ce qui risquerait de vous faire perdre le contrôle de l'appareil électrique.

o) Ne pas faire fonctionner l'outil électrique en le portant sur le côté. Un contact accidentel avec l'accessoire de rotation pourrait accrocher vos vêtements et attirer l'accessoire sur vous.

p) Nettoyer régulièrement les orifices d'aération de l'outil électrique. Le ventilateur du moteur attirera la poussière à l'intérieur du boîtier et une accumulation excessive de poudre de métal peut provoquer des dangers électriques.

q) Ne pas utiliser l'outil électrique à proximité de matériaux inflammables. Des étincelles sont susceptibles d'enflammer ces matériaux.

r) Ne pas utiliser d'outils rapportés qui nécessitent des agents réfrigérants liquides. L'utilisation d'eau ou d'autres agents réfrigérants liquides risque de provoquer une électrocution.

Ulérieures consignes de sécurité concernant les tronçonneuses**Contrecoup et consignes de sécurité correspondantes**

D'éventuelles contrecoups sont des réactions soudaines causés par des disques polisseurs qui se coincent ou se bloquent pendant leur rotation. D'éventuels coincements ou blocages comportent l'arrêt subit de l'outil. De cette façon un dispositif électrique non contrôlé est accéléré, sur le point de blocage, dans la direction opposée à celle de l'outil.

Par exemple, si une meule abrasive est accrochée ou pincée par la pièce à usiner, le bord de la meule qui entre dans le point de pincement peut creuser la surface du matériau, provoquant des sauts ou l'expulsion de la meule. La meule peut sauter en direction de l'opérateur ou encore en s'en éloignant, selon le sens du mouvement de la meule au point de pincement. Les meules abrasives peuvent également se rompre dans ces conditions.

Le rebond résulte d'un mauvais usage de l'outil et/ou de procédures ou de conditions de fonctionnement incorrectes et peut être évité en prenant les précautions appropriées spécifiées cidessous.

a) Maintenir fermement l'outil électrique et placer votre corps et vos bras pour vous permettre de résister aux forces de rebond. Toujours utiliser une poignée auxiliaire, le cas échéant, pour une maîtrise maximale du rebond ou de la réaction de couple au cours du démarrage. L'opérateur peut maîtriser les couples de réaction ou les forces de rebond, si les précautions qui s'imposent sont prises.

b) Ne jamais placer votre main à proximité de l'accessoire en rotation. L'accessoire peut effectuer un rebond sur votre main.

c) Éviter de stationner devant ou derrière le disque polisseur tournant. Lorsque un contrecoup se produit, le dispositif électrique est poussé dans la direction opposée à celle du mouvement du disque polisseur sur le point de blocage.

d) Apporter un soin particulier lors de travaux dans les coins, les arêtes vives etc. Éviter les rebondissements et les accrochages de l'accessoire. Les coins, les arêtes vives ou les rebondissements ont tendance à accrocher l'accessoire en rotation et à provoquer une perte de contrôle ou un rebond.

e) N'utiliser ni lames à chaîne ou à dents, ni lames en diamant segmentées avec fentes dépassant les 10 mm de largeur. Les types d'outils susdits causent fréquemment d'effets de contrecoup ou la perte de contrôle sur le dispositif électrique.

f) Ne pas « coincer » la meule à tronçonner ou ne pas appliquer une pression excessive. Ne pas tenter d'exécuter une profondeur de coupe excessive. Une contrainte excessive de la meule augmente la charge et la probabilité de torsion ou de blocage de la meule dans la coupe et la possibilité de rebond ou de rupture de la meule.

g) Lorsque la meule se bloque ou lorsque la coupe est interrompue pour une raison quelconque, mettre l'outil électrique hors tension et tenir l'outil électrique immobile jusqu'à ce que la meule soit à l'arrêt complet. Ne jamais tenter d'enlever la meule à tronçonner de la coupe tandis que la meule est en mouvement sinon le rebond peut se produire. Rechercher et prendre des mesures correctives afin d'empêcher que la meule ne se grippe.

h) Ne pas reprendre l'opération de coupe dans la pièce à usiner. Laisser la meule atteindre sa pleine vitesse et rentrer avec précaution dans le tronçon. La meule peut se coincer, venir chevaucher la pièce à usiner ou effectuer un rebond si l'on fait redémarrer l'outil électrique dans la pièce à usiner.

i) Prévoir un support de panneaux ou de toute pièce à usiner surdimensionnée pour réduire le risque de pincement et de rebond de la meule. Les grandes pièces à usiner ont tendance à fléchir sous leur propre poids. Les supports doivent être placés sous la pièce à usiner près de la ligne de coupe et près du bord de la pièce des deux côtés de la meule.

j) Soyez particulièrement prudent lorsque vous faites une « coupe en retrait » dans des parois existantes ou dans d'autres zones sans visibilité. La meule saillante peut couper des tuyaux de gaz ou d'eau, des câblages électriques ou des objets, ce qui peut entraîner des rebonds.

AVIS COMPLÉMENTAIRES DE SÉCURITÉ ET DE TRAVAIL

La vitesse assignée de l'accessoire doit être au moins égale à la vitesse maximale indiquée sur l'outil électrique. Les accessoires fonctionnant plus vite que leur vitesse assignée peuvent se rompre et voler en éclat.

Utiliser l'équipement de protection. Toujours porter des lunettes de protection pendant le travail avec la machine. II

est recommandé de porter des articles de protection, tels que masque antipoussière, gants de protection, chaussures tenant bien aux pieds et antidérapantes, casque et protection acoustique.

AVERTISSEMENT Afin de réduire le risque de blessure lors des travaux produisant une quantité de poussière importante, nous vous recommandons d'utiliser un système d'aspiration des poussières Milwaukee conformément au manuel d'utilisation.

Les poussières qui sont dégagées pendant les travaux sont souvent nocives pour la santé et ne devraient pas pénétrer dans le corps. Porter un masque de protection approprié contre les poussières.

Il est interdit de travailler des matériaux dangereux pour la santé (par ex. amiante).

Désactiver immédiatement le dispositif en cas de blocage ! Ne pas réactiver le dispositif avec l'outil bloqué; il y a le risque de provoquer un contrecoup avec moment de réaction élevé. Établir et éliminer la cause du blocage de l'outil en prêtant attention aux consignes de sécurité.

Les causes possibles sont :

- Encastrement dans la pièce à travailler.
- Le dispositif a traversé le matériau à travailler en le cassant.
- Le dispositif électrique a été surchargé.

Ne pas approcher les mains de la partie en mouvement de la machine.

Durant l'utilisation, l'outil peut se surchauffer.

- durant le remplacement de l'outil
- durant la dépose de l'outil

Lors du perçage dans les murs, les plafonds ou les planchers, toujours faire attention aux câbles électriques et aux conduites de gaz et d'eau.

Avant tous travaux sur la machine retirer l'accu interchangeable.

Ne pas jeter les accus interchangeables usés au feu ou avec les déchets ménagers. Milwaukee offre un système d'évacuation écologique des accus usés.

Ne pas conserver les accus interchangeables avec des objets métalliques (risque de court-circuit)

Ne charger les accus interchangeables du système M12 qu'avec le chargeur d'accus du système M12. Ne pas charger des accus d'autres systèmes.

Ne pas ouvrir les accus interchangeables et les chargeurs et ne les stocker que dans des locaux secs. Les protéger contre l'humidité.

En cas de conditions ou températures extrêmes, du liquide caustique peut s'échapper d'un accu interchangeable endommagé. En cas de contact avec le liquide caustique de la batterie, laver immédiatement avec de l'eau et du savon. En cas de contact avec les yeux, rincer soigneusement avec de l'eau et consulter immédiatement un médecin.

Avertissement! Pour réduire le risque d'incendie, de blessures corporelles et de dommages causés par un court-circuit, ne jamais immerger l'outil, le bloc-piles ou le chargeur dans un liquide ou laisser couler un fluide à l'intérieur de celui-ci. Les fluides corrosifs ou conducteurs, tels que l'eau de mer, certains produits chimiques industriels, les produits de blanchiment ou de blanchiment, etc., peuvent provoquer un court-circuit.

UTILISATION CONFORME AUX PRESCRIPTIONS

Cet outil de coupe est destiné à être utilisé pour couper différents matériaux.

Comme déjà indiqué, cette machine n'est conçue que pour être utilisée conformément aux prescriptions.

Afin de réduire le risque de blessures, utilisez uniquement des meules diamantées de type 1 d'une épaisseur maximale de 3,2 mm pouvant fonctionner en toute sécurité

à une vitesse de rotation minimale de 20 000 tr/min. Les meules de type 1 sont adaptées uniquement pour le meulage latéral, pas pour le meulage plan. Lisez toutes les consignes de sécurité fournies avec la meule à tronçonner.

Utilisez la vue d'ensemble suivante pour sélectionner la meule correcte. Différents types de meules doivent être utilisés selon les matériaux. Respectez le mode d'emploi du fabricant de la meule.

Type de meule	Recommandée pour le meulage de
Meule en carbure	Placoplatre, fibrociment, plastique
Meule à tronçonner	Acier, inox, matériaux non ferreux
Meules diamantées	Carrelage, béton, brique, céramique

DECLARATION CE DE CONFORMITE

Nous déclarons sous notre propre responsabilité que le produit décrit aux „Données techniques“ est conforme à toutes les dispositions des directives 2011/65/EU (RoHS), 2014/30/UE, 2006/42/CE et des documents normatifs harmonisés suivants:

EN 60745-1:2009+A11:2010
EN 60745-2-22:2011+A11:2013
EN 55014-1:2017+A11:2020
EN 55014-2:2015
EN IEC 63000:2018

Winnenden, 2020-10-29



Alexander Krug
Managing Director



Autorisé à compiler la documentation technique.

Techtronic Industries GmbH
Max-Eyth-Straße 10
71364 Winnenden
Germany

ACCUS

Recharger les accus avant utilisation après une longue période de non utilisation.

Une température supérieure à 50°C amoindrit la capacité des accus. Éviter les expositions prolongées au soleil ou au chauffage.

Tenir propres les contacts des accus et des chargeurs.

Après l'usage, les accus doivent être chargés entièrement pour une durée de vie optimale.

Pour une plus longue durée de vie, enlever les batteries du chargeur de batterie quand celles-ci seront chargées.

En cas d'entreposage de la batterie pour plus de 30 jours: Entreposer la batterie à 27°C environ dans un endroit sec. Entreposer la batterie avec une charge d'environ 30% - 50%.

Recharger la batterie tous les 6 mois.

PROTECTION DE L'ACCU CONTRE LES SURCHARGES

Le bloc d'accus est équipé d'un dispositif de protection contre la surcharge qui protège l'accu contre une surcharge et qui assure une longue durée de vie.

En cas de sollicitation extrêmement élevée, l'unité électronique de l'accu éteint la machine automatiquement. Pour continuer le travail, il convient d'éteindre la machine et de l'enclencher à nouveau. Si la machine ne redémarre pas,

il se peut que le bloc d'accus soit déchargé et qu'il doive être rechargé dans le chargeur.

TRANSPORT DE BATTERIES LITHIUM-ION

Les batteries lithium-ion sont soumises aux dispositions législatives concernant le transport de produits dangereux.

Le transport de ces batteries devra s'effectuer dans le respect des dispositions et des normes locales, nationales et internationales.

- Les utilisateurs peuvent transporter ces batteries sans restrictions.
- Le transport commercial de batteries lithium-ion est réglé par les dispositions concernant le transport de produits dangereux. La préparation au transport et le transport devront être effectués uniquement par du personnel formé de façon adéquate. Tout le procédé devra être géré d'une manière professionnelle.

Durant le transport de batteries il faut respecter les consignes suivantes :

- S'assurer que les contacts soient protégés et isolés en vue d'éviter des courts-circuits.
- S'assurer que le groupe de batteries ne puisse pas se déplacer à l'intérieur de son emballage.
- Des batteries endommagées ou des batteries perdant du liquide ne devront pas être transportées.

Pour tout renseignement complémentaire veuillez vous adresser à votre transporteur professionnel.

ENTRETIEN

Tenir toujours propres les orifices de ventilation de la machine.

Assurez-vous de débrancher l'outil du secteur avant de monter ou de démonter la lame de scie.

Nettoyer l'appareil et le dispositif de protection avec un chiffon sec. Certains détergents endommagent les matériaux synthétiques ou d'autres parties isolantes. Maintenir l'appareil nettoyé, sec et libre d'huiles et graisses écoulées. Contrôler le fonctionnement des protecteurs. Un entretien et un nettoyage réguliers permettent une longue vie utile et un emploi sûr.

Utiliser uniquement les accessoires Milwaukee et les pièces détachées Milwaukee. Faire remplacer les composants dont le remplacement n'a pas été décrit, par un des centres de service après-vente Milwaukee (observer la brochure avec les adresses de garantie et de service après-vente).

En cas de besoin il est possible de demander un dessin éclaté du dispositif en indiquant le modèle de la machine et le numéro de six chiffres imprimé sur la plaquette de puissance et en s'adressant au centre d'assistance technique ou directement à Techtronic Industries GmbH, Max-Eyth-Straße 10, 71364 Winnenden, Germany.

SYMBLES



ATTENTION! AVERTISSEMENT! DANGER!



Avant tous travaux sur la machine retirer l'accu interchangeable.



Veuillez lire avec soin le mode d'emploi avant la mise en service



Porter des gants de protection!



Toujours porter une protection acoustique!



Toujours porter des lunettes protectrices en travaillant avec la machine.

Porter un masque de protection approprié contre les poussières.



Accessoires - Ces pièces ne font pas partie de la livraison. Il s'agit là de compléments recommandés pour votre machine et énumérés dans le catalogue des accessoires.



Les dispositifs électriques, les batteries et les batteries rechargeables ne sont pas à éliminer dans les déchets ménagers.

Les dispositifs électriques et les batteries sont à collecter séparément et à remettre à un centre de recyclage en vue de leur élimination dans le respect de l'environnement.

S'adresser aux autorités locales ou au détaillant spécialisé en vue de connaître l'emplacement des centres de recyclage et des points de collecte.



Marque de conformité européenne



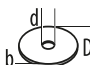
Marque de conformité britannique



Marque de conformité ukrainienne



Marque de conformité d'Eurasie

Numero di serie	4679 85 02...
	...000001-999999
Numero giri nominale	20000 min ⁻¹
 D=Dischi da taglio ø.....	76 mm
d=diam. Foro	10 mm
b=Spessore disco di taglio min. / max.....	1 mm / 3,2 mm
Massima profondità di taglio	16,3 mm
Larghezza di taglio	min. 1 mm / max. 3,2 mm
Tensione batteria	12 V
Peso secondo la procedura EPTA 01/2014 (6,0 Ah).....	1,3 kg
Temperatura consigliata durante il lavoro	-18...+50 °C
Batterie consigliate	M12B2...M12B6
Caricatori consigliati.....	C12C,M12C4, M12-18AC,M12-18C, M12-18C3, M12-18FC,...

Informazioni sulla rumorosità/sulle vibrazioni (taglio su cemento)
Valori misurati conformemente alla norma EN 60 745. La misurazione A della pressione del livello sonoro di un utensile di solito deve essere

Livello di rumorosità (Incertezza della misura K=3dB(A)).....	105 dB (A)
Potenza della rumorosità (Incertezza della misura K=3dB(A))....	94 dB (A)

Utilizzare le protezioni per l'udito!

Valori totali delle oscillazioni (somma di vettori in tre direzioni) misurati conformemente alla norma EN 60745

Valore di emissione dell'oscillazione a _{h,sc}	2,9 m/s ²
Incertezza della misura K=.....	1,5 m/s ²

AVVERTENZA

Il livello di vibrazioni indicato nelle presenti istruzioni è stato misurato in conformità con un procedimento di misurazione codificato nella EN 60745 e può essere utilizzato per un confronto tra attrezzi elettrici. Inoltre si può anche utilizzare per una valutazione preliminare della sollecitazione da vibrazioni.

Il livello di vibrazioni indicato rappresenta le applicazioni principali dell'attrezzo elettrico. Se viceversa si utilizza l'attrezzo elettrico per altri scopi, con accessori differenti o con una manutenzione insufficiente, il livello di vibrazioni può risultare diverso. E questo può aumentare decisamente la sollecitazione da vibrazioni lungo l'intero periodo di lavorazione.

Ai fini di una valutazione precisa della sollecitazione da vibrazioni si dovrebbero tenere presente anche i periodi in cui l'apparecchio rimane spento oppure, anche se acceso, non viene effettivamente utilizzato. Ciò può ridurre notevolmente la sollecitazione da vibrazioni lungo l'intero periodo di lavorazione.

Stabilite misure di sicurezza supplementari per la tutela dell'operatore dall'effetto delle vibrazioni, come ad esempio: manutenzione dell'attrezzo elettrico e degli accessori, riscaldamento delle mani, organizzazione dei processi di lavoro.

AVVERTENZA! Leggere tutte le istruzioni ed indicazioni di sicurezza. In caso di mancato rispetto delle avvertenze di pericolo e delle istruzioni operative si potrà creare il pericolo di scosse elettriche, incendi e/o incidenti gravi.

Conservare tutte le avvertenze di pericolo e le istruzioni operative per ogni esigenza futura.

INDICAZIONI DI SICUREZZA PER SEGHE CIRCOLARI

a) La cuffia di protezione facente parte del dispositivo elettrico deve essere fissata in sicurezza e deve essere regolata in maniera tale da garantire la massima sicurezza, cioè la parte della mola abrasiva esposta senza protezione verso l'operatore deve essere minima. L'operatore e le persone presenti nelle vicinanze non devono trovarsi nello stesso piano del disco levigatore. La cuffia di protezione ha lo scopo di proteggere l'operatore da frammenti e da contatto inavvertito con la mola abrasiva.

b) Usare con il dispositivo elettrico esclusivamente dischi levigatori rinforzati legati o con rivestimento di diamante. Il semplice fatto che sia possibile fissare un determinato accessorio sul dispositivo elettrico non garantisce il suo uso in sicurezza.

c) Il numero di giri ammesso dell'accessorio impiegato deve essere almeno tanto alto quanto il numero massimo di giri riportato sull'elettrotensile. Un accessorio che gira più rapidamente di quanto consentito può rompersi in vari pezzi e venir lanciato intorno.

d) Utensili abrasivi possono essere utilizzati esclusivamente per le possibilità applicative esplicitamente

raccomandate. P. es.: Mai eseguire lavori di levigatura con la superficie laterale di un disco abrasivo da taglio diritto. Mole abrasive da taglio diritto sono previste per l'asportazione di materiale con il bordo del disco. Esercitando dei carichi laterali su questi utensili abrasivi vi è il pericolo di romperli.

e) Utilizzare sempre flange di serraggio in condizioni perfette e di dimensioni adeguate al disco troncante scelto. La flangia corretta supporta il disco troncante, riducendo il pericolo di una rottura del disco troncante.

f) Non utilizzare mai mole abrasive usurate previste per elettrotensili più grandi. Mole abrasive previste per elettrotensili più grandi non sono concepite per le maggiori velocità di elettrotensili più piccoli e possono rompersi.

g) Diametro esterno e spessore dell'utensile utilizzato devono corrispondere alle indicazioni delle misure dell'utensile elettrico. Utensili dimensionati in maniera errata potrebbero essere non sufficientemente schermate oppure controllate.

h) I dischi levigatori e le flange devono essere esattamente della stessa misura del dispositivo elettrico. Gli accessori che non siano esattamente della stessa misura dell'attrezzo di serraggio del dispositivo elettrico gireranno in maniera sbilanciata, vibreranno in maniera eccessiva e potranno causare la perdita di controllo.

i) Non usare dischi levigatori danneggiati. Prima di ogni uso, controllare se sui dischi levigatori sono presenti scheggiature e incrinature. Qualora il dispositivo elettrico o il disco levigatore dovesse cadere, verificare se sono presenti danni o utilizzare un disco levigatore integro. Dopo avere controllato ed inserito un disco

levigatore, fare attenzione affinché sia l'operatore che le altre persone nelle vicinanze non si trovino nello stesso piano del disco levigatore rotante e fare girare il dispositivo per un minuto al massimo numero di giri. Dischi levigatori danneggiati si rompono prevalentemente durante tale periodo di test.

j) Indossare abbigliamento di protezione. A seconda dell'applicazione in corso utilizzare una visiera completa, maschera di protezione per gli occhi oppure occhiali di sicurezza. Per quanto necessario, portare maschere per polveri, protezione acustica, guanti di protezione oppure un grembiule speciale in grado di proteggervi da piccole particelle di levigatura o di materiale. Gli occhi dovrebbero essere protetti da corpi estranei espulsi in aria nel corso di diverse applicazioni. La maschera antipolvere e la maschera respiratoria devono essere in grado di filtrare la polvere provocata durante l'applicazione. Esponendosi per lungo tempo ad un rumore troppo forte vi è il pericolo di perdere l'udito.

k) Prestare attenzione che le altre persone rispettino le distanze di sicurezza dalla zona di lavoro. Chi entra nella zona di lavoro deve indossare i dispositivi di protezione individuali. Eventuale particelle rotte del pezzo da lavorare oppure utensili rotti possono saltare via e causare ferite anche all'esterno della zona diretta del lavoro.

l) Impugnare l'apparecchio sulle superfici di tenuta isolate mentre si eseguono lavori durante i quali l'utensile da taglio potrebbe entrare in contatto con cavi di corrente o con il proprio cavo d'alimentazione. L'eventuale contatto dell'utensile da taglio con un cavo sotto tensione potrebbe mettere sotto tensione le parti metalliche dell'apparecchio e provocare una folgorazione.

m) Tenere il cavo di collegamento elettrico sempre lontano da portautensili o accessori in rotazione. Se si perde il controllo sull'elettrotensile vi è il pericolo di troncane o di colpire il cavo di collegamento elettrico e la Vostra mano o braccio può arrivare a toccare il portautensili o accessorio in rotazione.

n) Non depositare mai l'utensile elettrico, prima che questo non si sia fermato completamente. Utensili rotanti possono venire in contatto con la superficie d'appoggio, causando la perdita del controllo sull'utensile.

o) Mai trasportare l'elettrotensile mentre questo dovesse essere ancora in funzione. Attraverso un contatto casuale l'utensile in rotazione potrebbe fare presa sugli indumenti oppure sui capelli dell'operatore e potrebbe arrivare a ferire seriamente il corpo dell'operatore.

p) Pulire regolarmente le feritoie di ventilazione dell'elettrotensile in dotazione. Il ventilatore del motore attira polvere nella carcassa ed una forte raccolta di polvere di metallo può provocare pericoli di origine elettrica.

q) Mai utilizzare l'utensile elettrico nelle vicinanze di materiali infiammabili, in quanto scintille potrebbero incendiare il materiale.

r) Non utilizzare mai utensili elettrici che richiedono refrigeranti liquidi. L'uso di acqua od altri refrigeranti liquidi possono causare scosse elettriche.

Ulteriori indicazioni di sicurezza per troncatrici

Contraccollo e avvertenze sulla sicurezza in merito

Eventuali contraccolpi sono reazioni improvvise causate da dischi levigatori che si incepano o si bloccano mentre sono in rotazione. Eventuali inceppamenti o bloccaggi comportano l'arresto improvviso dell'utensile ad inserto. In questa maniera un dispositivo elettrico non controllato viene accelerato, sul punto di bloccaggio, nella direzione opposta a quella dell'utensile ad inserto.

Se p. es. un disco abrasivo resta agganciato o bloccato nel pezzo in lavorazione, il bordo del disco abrasivo che si abbassa nel pezzo in lavorazione può rimanere impigliato provocando in questo modo una rottura oppure un contraccollo del disco abrasivo. Il disco abrasivo si avvicina

o si allontana dall'operatore a seconda della direzione di rotazione che ha nel momento in cui si blocca. In tali situazioni è possibile che le mole abrasive possano anche rompersi.

Un contraccollo è la conseguenza di un utilizzo non appropriato oppure non corretto dell'elettrotensile. Esso può essere evitato soltanto prendendo misure adatte di sicurezza come dalla descrizione che segue.

a) Tenere sempre ben saldo l'elettrotensile e portare il proprio corpo e le proprie braccia in una posizione che Vi permetta di compensare le forze di contraccollo. Se disponibile, utilizzare sempre l'impugnatura supplementare in modo da poter avere sempre il maggior controllo possibile su forze di contraccolpi oppure momenti di reazione che si sviluppano durante la fase in cui la macchina raggiunge il regime di pieno carico. Prendendo appropriate misure di precauzione l'operatore può essere in grado di tenere sotto controllo le forze di contraccollo e quelle di reazione a scatti.

b) Mai avvicinare la propria mano alla zona degli utensili in rotazione. Nel corso dell'azione di contraccollo il portautensili o accessorio potrebbe passare sulla Vostra mano.

c) Evitare di sostare davanti o dietro il disco levigatore rotante. Quando si verifica un contraccollo, il dispositivo elettrico viene spinto nella direzione opposta a quella del movimento del disco levigatore sul punto di bloccaggio.

d) Operare con particolare attenzione in prossimità di spigoli, spigoli taglienti ecc.. Avere cura di impedire che portautensili o accessori possano rimbalzare dal pezzo in lavorazione oppure possano rimanervi bloccati. L'utensile in rotazione ha la tendenza a rimanere bloccato in angoli, spigoli taglienti oppure in caso di rimbalzo. Ciò provoca una perdita del controllo oppure un contraccollo.

e) Non usare né lame a catena o a denti, né lame di diamante segmentate con intagli di larghezza superiore a 10 mm. I suddetti tipi di utensili ad inserto causano di frequente effetti di contraccollo o la perdita del controllo sul dispositivo elettrico.

f) Evitare di far bloccare il disco abrasivo da taglio diritto oppure di esercitare una pressione troppo alta. Non eseguire tagli eccessivamente profondi. Sottoponendo la mola da taglio diritto a carico eccessivo se ne aumenta la sollecitazione e la si rende maggiormente soggetta ad angolature improprie o a blocchi venendo così a creare il pericolo di contraccollo oppure di rottura dell'utensile abrasivo.

g) Qualora il disco abrasivo da taglio diritto dovesse incepparsi oppure si dovesse interrompere il lavoro, spegnere l'elettrotensile e tenerlo fermo fino a quando il disco si sarà fermato completamente. Non tentare mai di estrarre il disco abrasivo dal taglio in esecuzione perché si potrebbe provocare un contraccollo. Rilevare ed eliminare la causa per il blocco.

h) Mai rimettere l'elettrotensile in funzione fintanto che esso si trovi ancora nel pezzo in lavorazione. Prima di continuare ad eseguire il taglio procedendo con la dovuta attenzione, attendere che il disco abrasivo da taglio diritto abbia raggiunto la massima velocità. In caso contrario è possibile che il disco resti agganciato, sbalzi dal pezzo in lavorazione oppure provochi un contraccollo.

i) Dotare di un supporto adatto pannelli oppure pezzi in lavorazione di dimensioni maggiori in modo da ridurre il rischio di un contraccollo dovuto ad un disco abrasivo da taglio diritto che rimane bloccato. Pezzi in lavorazione di dimensioni maggiori possono piegarsi sotto l'effetto del proprio peso. Provvedere a munire il pezzo in lavorazione di supporti adatti al caso specifico sia nelle vicinanze del taglio di troncatrice che in quelle del bordo.

j) Operare con particolare attenzione in caso di «tagli dal centro» da eseguire in pareti già esistenti oppure in altre parti non visibili. Il disco abrasivo da taglio diritto che inizia il taglio sul materiale può provocare un contraccollo

se dovesse arrivare a troncature condutture del gas o dell'acqua, linee elettriche oppure oggetti di altro tipo.

ULTERIORI AVVISI DI SICUREZZA E DI LAVORO

Il numero di giri ammesso dell'accessorio impiegato deve essere almeno tanto alto quanto il numero massimo di giri riportato sull'elettrotensile. Un accessorio che gira più rapidamente di quanto consentito può rompersi in vari pezzi e venir lanciato intorno.

Usare dispositivi di protezione. Durante il lavoro con la macchina bisogna sempre portare occhiali di protezione. Si consiglia di indossare indumenti di protezione come maschera antipolvere, guanti di protezione, scarpe antiscivolo robuste, casco e cuffie di protezione acustica.

AVVERTENZA Per ridurre il rischio di lesioni durante le lavorazioni con notevole sviluppo di polvere, si consiglia di usare un sistema di aspirazione polveri Milwaukee conformemente alle istruzioni per l'uso.

La polvere che si produce durante il lavoro è spesso dannosa per la salute e non dovrebbe essere aspirata. Portare un'adeguata mascherina protettiva.

E' vietato lavorare materiali che possono costituire pericoli alla salute (ad es. amianto).

Spegnere immediatamente il dispositivo in caso di bloccaggio! Non riaccendere il dispositivo fino a quando l'utensile ad inserto resta bloccato; esiste il rischio di causare un contraccolpo con elevato momento di reazione. Rilevare ed eliminare la causa del bloccaggio dell'utensile ad inserto tenendo conto delle indicazioni di sicurezza.

Le possibili cause sono:

- Incastro nel pezzo in lavorazione
- Il dispositivo ha attraversato il materiale da lavorare rompendolo
- Il dispositivo elettrico è stato sovraccaricato

Non avvicinare le mani alla parte della macchina in movimento.

Durante l'uso l'utensile ad inserto può surriscaldarsi.

- durante la sostituzione dell'utensile
- durante il deposito dell'utensile

Forando pareti, soffitti o pavimenti, si faccia attenzione ai cavi elettrici e alle condutture dell'acqua e del gas.

Prima di iniziare togliere la batteria dalla macchina.

Non gettare le batterie esaurite sul fuoco o nella spazzatura di casa. La Milwaukee offre infatti un servizio di recupero batterie usate.

Nel vano d'innesto per la batteria del caricatore non devono entrare parti metalliche. (pericolo di cortocircuito).

Le batterie del System M12 sono ricaricabili esclusivamente con i caricatori del System M12. Le batterie di altri sistemi non possono essere ricaricate.

Non aprire nè la batteria nè il caricatore e conservarli solo in luogo asciutto. Proteggerli dalla umidità.

Nel caso di batterie danneggiate da un carico eccessivo o da temperature alte, l'acido di queste potrebbe fuoriuscire. In caso di contatto con l'acido delle batterie lavarsi immediatamente con acqua e sapone. In caso di contatto con gli occhi risciacquare immediatamente con acqua per almeno 10 minuti e contattare subito un medico.

Attenzione! Per ridurre il rischio d'incendio, di lesioni o di danni al prodotto causati da corto circuito, non immergere mai l'utensile, la batteria ricaricabile o il carica batterie in un liquido e non lasciare mai penetrare alcun liquido all'interno dei dispositivi e delle batterie. I fluidi corrosivi o conduttori come acqua salata, alcuni agenti chimici, agenti candeggianti o prodotti contenenti agenti candeggianti potrebbero provocare un corto circuito.

UTILIZZO CONFORME

Questo strumento di taglio è destinato a essere utilizzato per tagliare materiali diversi.

Utilizzare il prodotto solo per l'uso per cui è previsto.

Per ridurre al minimo il rischio di lesioni, usare esclusivamente dischi diamantati del tipo 1 con spessore massimo di 3,2 mm e che possano essere usati in sicurezza fino ad un numero di giri di almeno 20.000 min-1. I dischi del tipo 1 sono adatti soltanto per la molatura frontale, non per la molatura di superfici. Si prega di rispettare tutte le avvertenze di sicurezza fornite insieme ai dischi da taglio.

Usare il riepilogo sottostante per la scelta del disco idoneo. A seconda del materiale occorre utilizzare dischi diversi. Attenersi alle istruzioni d'uso fornite dal produttore dei dischi.

Tipo di disco	Per molare/tagliare
Dischi al carburo	Cartongesso, cemento fibrato, materiale sintetico
Dischi da taglio	Acciaio, acciaio inox, materiali non ferrosi
Dischi diamantati	Piastrelle, cemento, laterizi, ceramica

DICHIARAZIONE DI CONFORMITÀ CE

Dichiariamo sotto la nostra esclusiva responsabilità che il prodotto descritto ai „Dati tecnici“ corrisponde a tutte le disposizioni delle direttive 2011/65/EU (RoHS), 2014/30/UE, 2006/42/CE e successivi documenti normativi armonizzati:

EN 60745-1:2009+A11:2010
EN 60745-2-22:2011+A11:2013
EN 55014-1:2017+A11:2020
EN 55014-2:2015
EN IEC 63000:2018

Winnenden, 2020-10-29

Alexander Krug
Managing Director



Autorizzato alla preparazione della documentazione tecnica

Techtronic Industries GmbH
Max-Eyth-Straße 10
71364 Winnenden
Germany

BATTERIE

Batterie non utilizzate per molto tempo devono essere ricaricate prima dell'uso.

A temperature superiori ai 50°C, la potenza della batteria si riduce.

Evitare di esporre l'accumulatore a surriscaldamento prolungato, dovuto ad esempio ai raggi del sole o ad un impianto di riscaldamento.

Per una durata di vita ottimale, dopo l'uso le batterie devono essere completamente ricaricate.

caricabatterie quando saranno cariche.

In caso di immagazzinaggio della batteria per più di 30 giorni:

Immagazzinare la batteria a circa 27°C in ambiente asciutto. Immagazzinare la batteria con carica di circa il 30% - 50%. Ricaricare la batteria ogni 6 mesi.

DISPOSITIVO ANTISOVRACCARICO ACCUMULATORE

Il gruppo accumulatore è equipaggiato con un dispositivo antisovraccarico, che protegge l'accumulatore da qualsiasi sovraccarico e assicura un'elevata durata di vita. In caso di sollecitazione estremamente elevata, l'elettronica dell'accumulatore spegne la macchina automaticamente. Per poter continuare a lavorare bisogna spegnere e riaccendere la macchina. Se la macchina non dovesse riavviarsi, il gruppo accumulatore potrebbe essere scarico e va ricaricato nel carica-batteria.

TRASPORTO DI BATTERIE AGLI IONI DI LITIO

Le batterie agli ioni di litio sono soggette alle disposizioni di legge sul trasporto di merce pericolosa.

Il trasporto di queste batterie deve avvenire rispettando le disposizioni e norme locali, nazionali ed internazionali.

- Gli utilizzatori possono trasportare queste batterie su strada senza alcuna restrizione.
- Il trasporto commerciale di batterie agli ioni di litio è regolato dalle disposizioni sul trasporto di merce pericolosa. Le preparazioni al trasporto ed il trasporto stesso devono essere svolti esclusivamente da persone idoneamente istruite. Tutto il processo deve essere gestito in maniera professionale.

Durante il trasporto di batterie occorre tenere conto di quanto segue:

- Assicurarsi che i contatti siano protetti ed isolati per evitare corto circuiti.
- Accertarsi che il gruppo di batterie non possa spostarsi all'interno dell'imballaggio.
- Batterie danneggiate o batterie che perdono liquido non devono essere trasportate.

Per ulteriori informazioni si prega di contattare il proprio trasportatore.

MANUTENZIONE

Tener sempre ben pulite le fessure di ventilazione dell'apparecchio.

Assicurarsi di aver scollegato l'utensile dall'alimentazione prima di collegarlo o prima di rimuovere la lama.

Pulire l'apparecchio ed il dispositivo di protezione con un panno asciutto. Alcuni detergenti danneggiano materiali sintetici o altre parti isolanti. Tenere l'apparecchio pulito ed asciutto, nonché libero da oli e grassi fuoriusciti. Controllare il funzionamento delle cuffie di protezione. Una regolare manutenzione e pulizia permettono una lunga vita utile ed un uso sicuro.

Usare solo accessori Milwaukee e pezzi di ricambio Milwaukee. Gruppi costruttivi la cui sostituzione non è stata descritta, devono essere fatti cambiare da un punto di servizio di assistenza tecnica al cliente Milwaukee (vedi depliant garanzia/indirizzi assistenza tecnica ai clienti).

In caso di necessità è possibile richiedere un disegno esploso del dispositivo indicando il modello della macchina ed il numero a sei cifre sulla targa di potenza rivolgendosi al centro di assistenza tecnica o direttamente a Techtronic Industries GmbH, Max-Eyth-Straße 10, 71364 Winnenden, Germany.

SIMBOLI



ATTENZIONE! AVVERTENZA! PERICOLO!



Prima di iniziare togliere la batteria dalla macchina.



Leggere attentamente le istruzioni per l'uso prima di mettere in funzione l'elettrotensile.



Indossare guanti protettivi!



Utilizzare le protezioni per l'udito!



Durante l'uso dell'apparecchio utilizzare sempre gli occhiali di protezione. Portare un'adeguata mascherina protettiva.



Accessorio - Non incluso nella dotazione standard, disponibile a parte come accessorio.



I dispositivi elettrici, le batterie e le batterie ricaricabili non devono essere smaltiti con i rifiuti domestici. I dispositivi elettrici e le batterie devono essere raccolti separatamente e devono essere conferiti ad un centro di riciclaggio per lo smaltimento rispettoso dell'ambiente. Chiedere alle autorità locali o al rivenditore specializzato dove si trovano i centri di riciclaggio e i punti di raccolta.



Marchio di conformità europeo



Marchio di conformità britannico

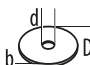


Marchio di conformità ucraino



Marchio di conformità euroasiatico

DATOS TÉCNICOS AMOLADORA DE CORTE M12 FCOT

Número de producción	4679 85 02...
Revoluciones nominales.....	...000001-999999 20000 min ⁻¹
 D=Diámetro del disco tronizador	76 mm
d=∅ del taladro	10 mm
b=Espesor de la muela de tronzar mín. / máx.....	1 mm / 3,2 mm
Profundidad de corte máx.	16,3 mm
Anchura de roza	min. 1 mm / max. 3,2 mm
Voltaje de batería.....	12 V
Peso de acuerdo con el procedimiento EPTA 01/2014 (6,0 Ah).....	1,3 kg
Temperatura ambiente recomendada durante el trabajo.....	-18...+50 °C
Tipos de acumulador recomendados	M12B2...M12B6
Cargadores recomendados	C12C,M12C4, M12-18AC,M12-18C, M12-18C3, M12-18FC,...

Información sobre ruidos / vibraciones (corte de hormigón)

Determinación de los valores de medición según norma EN 60 745.

La presión acústica se eleva normalmente

Presión acústica (Tolerancia K=3dB(A))..... 105 dB (A)

Resonancia acústica (Tolerancia K=3dB(A))..... 94 dB (A)

Usar protectores auditivos!

Nivel total de vibraciones (suma vectorial de tres direcciones)

determinado según EN 60745.

Valor de vibraciones generadas a_{h,SG}..... 2,9 m/s²

Tolerancia K=..... 1,5 m/s²

ADVERTENCIA

El nivel vibratorio indicado en estas instrucciones ha sido medido conforme a un método de medición estandarizado en la norma EN 60745, y puede utilizarse para la comparación entre herramientas eléctricas. También es apropiado para una estimación provisional de la carga de vibración.

El nivel vibratorio indicado representa las aplicaciones principales de la herramienta eléctrica. Si, pese a ello, se utiliza la herramienta eléctrica para otras aplicaciones, con útiles adaptables diferentes o con un mantenimiento insuficiente, el nivel vibratorio puede diferir. Esto puede incrementar sensiblemente la carga de vibración durante todo el periodo de trabajo.

Para una estimación exacta de la carga de vibración deberían tenerse en cuenta también los tiempos durante los que el aparato está apagado o, pese a estar en funcionamiento, no está siendo realmente utilizado. Esto puede reducir sustancialmente la carga de vibración durante todo el periodo de trabajo.

Adopte medidas de seguridad adicionales para la protección del operador frente al efecto de las vibraciones, como por ejemplo: mantenimiento de la herramienta eléctrica y de los útiles adaptables, mantener las manos calientes, organización de los procesos de trabajo.

⚠ ATENCIÓN: Lea atentamente las indicaciones e instrucciones de seguridad. En caso de no atenderse a las advertencias de peligro e instrucciones siguientes, ello puede ocasionar una descarga eléctrica, un incendio y/o lesión grave.

Guarda todas las advertencias de peligro e instrucciones para futuras consultas.

⚠ INSTRUCCIONES DE SEGURIDAD PARA SIERRAS CIRCULARES

a) La caperuza protectora perteneciente a la herramienta eléctrica deberá montarse firmemente y orientarse de tal modo que ofrezca una seguridad máxima, o sea, cubriendo al máximo la parte del útil a la que queda expuesta el usuario. Sitúese usted y las personas circundantes fuera del plano de rotación del disco. La caperuza protectora debe proteger al usuario de los fragmentos que puedan desprenderse del útil y del contacto accidental con el disco tronizador.

b) Utilice exclusivamente discos tronizadores sujetos y reforzados o diamantados en su herramienta eléctrica. El mero hecho de que el accesorio encaje en su herramienta eléctrica no garantiza un uso seguro.

c) Las revoluciones admisibles del útil deberán ser como mínimo iguales a las revoluciones máximas indicadas en la herramienta eléctrica. Aquellos accesorios que giren a unas revoluciones mayores a las admisibles pueden llegar a romperse y salir despedidos.

d) Solamente emplee el útil para aquellos trabajos para los que fue concebido. Por ejemplo, no emplee

las caras de los discos tronizadores para amolar. En los útiles de tronzar, el arranque de material se lleva a cabo con los bordes del disco. Si estos útiles son sometidos a un esfuerzo lateral, ello puede provocar su rotura.

e) Para el disco de tronzado por usted seleccionado use siempre bridas de sujeción que no tengan daños y que tengan el tamaño correcto. Las bridas apropiadas apoyan el disco de tronzado reduciendo así el peligro de una ruptura del disco de tronzado.

f) No intente aprovechar los discos amoladores de otras herramientas eléctricas más grandes, aunque su diámetro exterior se haya reducido suficientemente por el desgaste. Los discos amoladores destinados para herramientas eléctricas grandes no son aptos para soportar las velocidades periféricas más altas a las que trabajan las herramientas eléctricas más pequeñas, y pueden llegar a romperse.

g) El diámetro exterior y el grosor de la herramienta intercambiable tienen que corresponder con las medidas de su herramienta eléctrica. Las herramientas intercambiables mal medidas no pueden ser lo suficientemente apantalladas ni controladas.

h) El diámetro de alojamiento de los discos y de las bridas deberá ajustarse exactamente en el husillo de su herramienta eléctrica. Los útiles que no ajusten correctamente sobre el husillo de la herramienta eléctrica, al girar descentrados, generan unas vibraciones excesivas y pueden hacerle perder el control sobre el aparato.

i) No emplee discos dañados. Antes de cada utilización inspeccione si los discos están desportillados

o fisurados. Si se le cae la herramienta eléctrica o el disco, inspeccione si éste ha sufrido algún daño o monte otro disco en correctas condiciones. Una vez inspeccionado y montado el disco sitúese usted y las personas circundantes fuera del plano de rotación del disco y deje funcionar la herramienta eléctrica en vacío, a las revoluciones máximas, durante un minuto. Por regla general, los discos dañados suelen romperse al realizar esta comprobación.

j) Utilice un equipo de protección personal. Dependiendo del trabajo a realizar use una careta, una protección para los ojos, o unas gafas de protección. Si procede, emplee una mascarilla antipolvo, protectores auditivos, guantes de protección o un mandil especial adecuado para protegerle de los pequeños fragmentos que pudieran salir proyectados al desprenderse del útil o pieza. Las gafas de protección deberán ser indicadas para protegerle de los fragmentos que pudieran salir despedidos al trabajar. La mascarilla antipolvo o respiratoria deberá ser apta para filtrar las partículas producidas al trabajar. La exposición prolongada al ruido puede provocar sordera.

k) Preste atención a que otras personas se encuentren a una distancia segura referente a su campo de trabajo. Cada persona que pase a su campo de trabajo, tiene que usar un equipo protector personal. Trozos de la pieza por trabajar o de herramientas intercambiables rotas pueden volar y causar lesiones también fuera del campo de trabajo directo.

l) Sujete el aparato de las superficies aisladas de agarre al efectuar trabajos en los cuales la perforadora de percusión pueda entrar en contacto con conductores de corriente ocultos o con el propio cable. El contacto de la perforadora de percusión con un conducto con energía aplicada también podrá poner bajo tensión partes metálicas del aparato y causar un choque eléctrico.

m) Mantenga el cable de red alejado del útil en funcionamiento. En caso de que Vd. pierda el control sobre la herramienta eléctrica puede llegar a cortarse o enredarse el cable de red con el útil y lesionarle su mano o brazo.

n) No deposite jamás la herramienta eléctrica antes de que la herramienta intercambiable haya dejado de girar por completo. La herramienta intercambiable que aún está girando puede entrar en contacto con la superficie de deposición, con lo que usted puede perder el control sobre la herramienta eléctrica.

o) No deje funcionar la herramienta eléctrica mientras la transporta. El útil en funcionamiento podría lesionarle al engancharse accidentalmente con su vestimenta.

p) Limpie periódicamente las rejillas de refrigeración de su herramienta eléctrica. El ventilador del motor aspira polvo hacia el interior de la carcasa, por lo que, en caso de una acumulación fuerte de polvo metálico, ello puede provocarle una descarga eléctrica.

q) No use la herramienta eléctrica en las cercanías de materiales inflamables. Las chipas pueden encender estos materiales.

r) No use herramientas intercambiables que requieran de líquidos refrigerantes. El uso de agua o de otros líquidos refrigerantes pueden llevar a una electrocución.

Instrucciones de seguridad para aplicaciones de tronzado

Contragolpe y las correspondientes indicaciones de seguridad

El retroceso es una reacción brusca que se produce al atascarse o engancharse un disco en rotación. Al atascarse o engancharse el disco en funcionamiento, éste es frenado bruscamente. Ello puede hacerle perder el control sobre la herramienta eléctrica y hacer que ésta salga impulsada en dirección opuesta al sentido de giro que tenía el disco.

En el caso, p. ej., de que un disco amolador se atasque o bloquee en la pieza de trabajo, puede suceder que el canto

del útil que penetra en el material se enganche, provocando la rotura del útil o el rechazo del aparato. Según el sentido de giro y la posición del útil en el momento de bloquearse puede que éste resulte despedido hacia, o en sentido opuesto al usuario. En estos casos puede suceder que el útil incluso llegue a romperse.

El rechazo es ocasionado por la aplicación o manejo incorrecto de la herramienta eléctrica. Es posible evitarlo ateniéndose a las medidas preventivas que a continuación se detallan.

a) Sujete con firmeza la herramienta eléctrica y mantenga su cuerpo y brazos en una posición propicia para resistir las fuerzas de reacción. Si forma parte del aparato, utilice siempre la empuñadura adicional para poder soportar mejor las fuerzas del rechazo, además de los pares de reacción que se presentan en la puesta en marcha. El usuario puede controlar las fuerzas del rechazo y de reacción si toma unas medidas preventivas oportunas.

b) Jamás aproxime su mano al útil en funcionamiento. En caso de un rechazo, el útil podría lesionarle la mano.

c) No se coloque delante o detrás del disco tronizador en funcionamiento, alineado con la trayectoria del corte. El retroceso mueve la herramienta eléctrica en el sentido opuesto al movimiento del disco tronizador en el punto de bloque.

d) Tenga especial precaución al trabajar esquinas, cantos afilados, etc. Evite que el útil de amolar rebote contra la pieza de trabajo o que se atasque. En las esquinas, cantos afilados, o al rebotar, el útil en funcionamiento tiende a atacarse. Ello puede hacerle perder el control o causar un rechazo del útil.

e) No utilice útiles dentados o para talla de madera, ni tampoco discos diamantados segmentados si el ancho de sus ranuras en la periferia es superior a 10 mm. Estos útiles son propensos al retroceso y pueden hacerle perder el control sobre la herramienta eléctrica.

f) Evite que se bloquee el disco tronizador y una presión de aplicación excesiva. No intente realizar cortes demasiado profundos. Al solicitar en exceso el disco tronizador éste es más propenso a ladearse, bloquearse, a ser rechazado, o a romperse.

g) Si el disco tronizador se bloquea, o si tuviese que interrumpir su trabajo, desconecte la herramienta eléctrica y manténgala en esa posición, sin moverla, hasta que el disco tronizador se haya detenido por completo. Jamás intente sacar el disco tronizador en marcha de la ranura de corte, ya que ello podría provocar un rechazo. Investigue y subsane la causa del bloqueo.

h) No intente proseguir el corte, estando insertado el disco tronizador en la ranura de corte. Una vez fuera de la ranura de corte, espere a que el disco tronizador haya alcanzado las revoluciones máximas, y prosiga entonces el corte con cautela. En caso contrario el disco tronizador podría bloquearse, salirse de la ranura de corte, o resultar rechazado.

i) Soporte las planchas u otras piezas de trabajo grandes para reducir el riesgo de bloqueo o rechazo del disco tronizador. Las piezas de trabajo grandes tienden a curvarse por su propio peso. La pieza de trabajo deberá apoyarse desde abajo a ambos lados tanto cerca de la línea de corte como en los bordes.

j) Proceda con especial cautela al realizar recortes “por inmersión” en paredes o superficies similares. El disco tronizador puede ser rechazado al tocar tuberías de gas o agua, conductores eléctricos, u otros objetos.

INSTRUCCIONES ADICIONALES DE SEGURIDAD Y LABORALES

Las revoluciones admisibles del útil deberán ser como mínimo iguales a las revoluciones máximas indicadas en la herramienta eléctrica. Aquellos accesorios que giren a unas revoluciones mayores

a las admisibles pueden llegar a romperse y salir despedidos.

Utilice el equipamiento de protección. Mientras trabaje con la máquina lleve siempre gafas protectoras. Se recomienda utilizar ropa de protección como máscara protectora contra el polvo, guantes protectores, calzado resistente y antideslizante, casco y protección para los oídos.

ATENCIÓN Para reducir el riesgo de lesiones durante los trabajos con formación considerable de polvo, recomendamos el uso de una solución de extracción de polvo de Milwaukee de acuerdo con el manual de instrucciones correspondiente.

El polvo que se produce durante estos trabajos puede ser nocivo a la salud; es por ello aconsejable que no penetre al cuerpo. Utilice por ello una máscara protectora contra polvo.

No se deben trabajar materiales que conlleven un riesgo para la salud (por ej. amianto).

¡En caso de que se bloquee el útil, el aparato se debe desconectar inmediatamente! No vuelva a conectar el aparato, mientras el útil esté bloqueado; se podría producir un rechazo debido a la reacción de retroceso brusca. Averigüe y elimine la causa del bloqueo del útil, teniendo en cuenta las indicaciones de seguridad.

Causas posibles para ello pueden ser:

- Atascamiento o bloqueo en la pieza de trabajo
- Rotura del material con el que está trabajando
- Sobrecarga de la herramienta eléctrica

No introduzca las manos en la máquina mientras ésta se encuentra en funcionamiento.

El útil se puede calentar durante el uso.

- en caso de cambiar la herramienta
- en caso de depositar el aparato

Para trabajar en paredes, techo o suelo, tenga cuidado para evitar los cables eléctricos y tuberías de gas o agua.

Retire la batería antes de comenzar cualquier trabajo en la máquina.

No tire las baterías usadas a la basura ni al fuego. Los Distribuidores Milwaukee ofrecen un servicio de recogida de baterías antiguas para proteger el medio ambiente.

No almacene la batería con objetos metálicos (riesgo de cortocircuito).

Recargar solamente los acumuladores del Sistema M12 en cargadores M12. No intentar recargar acumuladores de otros sistemas.

No abra nunca las baterías ni los cargadores y guárdelos sólo en lugares secos. Protéjalos de la humedad en todo momento.

En caso de sobrecarga o alta temperatura, pueden llegar a producirse escapes de ácido provenientes de la batería. En caso de contacto con éste, limpie inmediatamente la zona con agua y jabón. Si el contacto es en los ojos, límpiense concienzudamente con agua durante 10 minutos y acuda inmediatamente a un médico

Advertencia! Para reducir el riesgo de incendio, lesión personales y daños al producto debido a un cortocircuito, no sumerja nunca la herramienta, el paquete de baterías o el cargador en líquido ni permita que fluya un fluido dentro de ellos. Los fluidos corrosivos o conductivos, como el agua de mar, ciertos productos quími-cos industriales y blanqueadores o lejías que contienen, etc., Pueden causar un cortocircuito.

APLICACIÓN DE ACUERDO A LA FINALIDAD

Esta herramienta de corte está diseñada para cortar diferentes materiales.

No utilice este producto para ninguna otra aplicación que no sea su uso normal.

Para minimizar el riesgo de lesiones, utilice solo discos abrasivos de diamante del tipo 1 con un grosor máximo de 3,2 mm, los cuales pueden funcionar de forma segura con una velocidad de giro mínima de 20.000 r.p.m. Los discos abrasivos del tipo 1 solo son adecuados para el rectificado de bordes, no de superficies. Tenga en cuenta todas las indicaciones de seguridad que se entregan junto con los discos abrasivos de corte.

Sírvase del siguiente resumen para seleccionar el disco abrasivo apropiado. Se han de utilizar distintos discos abrasivos dependiendo del material. Tenga en cuenta las indicaciones de uso del fabricante de discos abrasivos.

Tipo de disco	Para el rectificado de
Discos abrasivos de carburo	Cartón yeso, fibrocemento, plástico
Discos abrasivos de corte	Acero, acero inoxidable, materiales no ferrosos
Discos abrasivos de diamante	Baldosas, hormigón, ladrillos, piezas de cerámica

DECLARACION DE CONFORMIDAD CE

Declaramos bajo nuestra responsabilidad que el producto descrito bajo „Datos técnicos“ está en conformidad con todas las normas relevantes de la directiva 2011/65/EU (RoHS), 2014/30/UE, 2006/42/CE y con las siguientes normas o documentos normalizados:

EN 60745-1:2009+A11:2010
EN 60745-2-22:2011+A11:2013
EN 55014-1:2017+A11:2020
EN 55014-2:2015
EN IEC 63000:2018

Winnenden, 2020-10-29

Alexander Krug
Managing Director



Autorizado para la redacción de los documentos técnicos.

Techtronic Industries GmbH
Max-Eyth-Straße 10
71364 Winnenden
Germany

BATERIA

Las baterías no utilizadas durante cierto tiempo deben ser recargadas antes de usar.

Las temperaturas superiores a 50°C reducen el rendimiento de la batería. Evite una exposición excesiva a fuentes de calor o al sol (riesgo de sobrecalentamiento).

Los puntos de contacto de los cargadores y las baterías se deben mantener limpios.

Para un tiempo de vida óptimo, deberán cargarse completamente las baterías después de su uso.

Para garantizar la máxima capacidad y vida útil, las baterías recargables se deberían retirar del cargador una vez finalizada la carga.

En caso de almacenar la batería recargable más de 30 días:

Almacenar la batería recargable en un lugar seco a una temperatura de aproximadamente 27°C.

Almacenar la batería recargable con un estado de carga del 30% y 50% aproximadamente.

Recargar la batería cada 6 meses.

PROTECCIÓN CONTRA SOBRECARGA DE LA BATERÍA

El paquete del acumulador está dotado de un dispositivo de protección contra la sobrecarga que asegura una prolongada vida útil.

En caso de esfuerzo extremadamente intenso, la electrónica del acumulador desconecta automáticamente la máquina. Para continuar trabajando, desconectar y conectar de nuevo la máquina. Si la máquina no se pone nuevamente en marcha, es posible que se haya descargado el acumulador por lo que deberá recargarse en el cargador.

TRANSPORTE DE BATERÍAS DE IONES DE LITIO

Las baterías de iones de litio caen bajo las disposiciones legales relativas al transporte de mercancías peligrosas.

El transporte de estas baterías recargables debe llevarse a cabo, observando las normas y disposiciones locales, nacionales e internacionales.

- Los consumidores pueden transportar estas baterías recargables sin el menor reparo en la calle.
- El transporte comercial de baterías recargables de iones de litio por empresas de transportes está sometido a las disposiciones del transporte de mercancías peligrosas. Las preparaciones para el envío y el transporte deben ser llevados a cabo exclusivamente por personas instruidas adecuadamente. El proceso completo debe ser supervisado por personal competente.

Los siguientes puntos se deben observar para el transporte de las baterías recargables:

- Se debe asegurar que los contactos estén protegidos y aislados para evitar que se produzcan cortocircuitos.
- Preste atención a que el conjunto de baterías recargables no se pueda desplazar dentro del envase.
- Las baterías recargables deterioradas o derramadas no se deben transportar.

Rogamos que para cualquier información adicional se dirija a su empresa de transportes.

MANTENIMIENTO

Las ranuras de ventilación de la máquina deben estar despejadas en todo momento.

Asegúrese de desconectar la herramienta de la fuente de alimentación antes de ajustar o retirar la hoja de sierra.

Limpie la herramienta y el dispositivo protector con un paño seco. Algunos detergentes dañan materiales sintéticos u otras partes aisladas. Mantenga la herramienta limpia, seca y libre de aceite y grasa emergente. Controle la función de las cubiertas protectoras. Un mantenimiento y una limpieza regular permitirán una larga vida y un manejo seguro de la herramienta.

Utilice solamente accesorios y repuestos Milwaukee. En caso de necesitar reemplazar componentes no descritos, contacte con cualquiera de nuestras estaciones de servicio Milwaukee (consultar lista de servicio técnicos)

Puede solicitar, en caso necesario, una vista despiezada del aparato bajo indicación del tipo de máquina y el número de seis dígitos en la placa indicadora de potencia en su Servicio de Postventa o directamente en Techtronic Industries GmbH, Max-Eyth-Straße 10, 71364 Winnenden, Germany.

SÍMBOLOS



¡ATENCIÓN! ¡ADVERTENCIA! ¡PELIGRO!



Retire la batería antes de comenzar cualquier trabajo en la máquina.



Lea las instrucciones detenidamente antes de conectar la herramienta



Usar guantes protectores



Usar protectores auditivos!



Para trabajar con la máquina, utilizar siempre gafas de protección.

Utilice por ello una máscara protectora contra polvo.



Accesorio - No incluido en el equipo estándar, disponible en la gama de accesorios.



Los electrodomésticos y las baterías/acumuladores no se deben eliminar junto con la basura doméstica. Los aparatos eléctricos y los acumuladores se deben recoger por separado y se deben entregar a una empresa de reciclaje para una eliminación respetuosa con el medio ambiente. Infórmese en las autoridades locales o en su tienda especializada sobre los centros de reciclaje y puntos de recogida.



Marcado de conformidad europeo



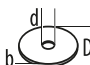
Marcado de conformidad británico



Marcado de conformidad ucraniano



Marcado de conformidad euroasiático

Número de produção.....	4679 85 02...
	...000001-999999
Número de rotações nominal.....	20000 min ⁻¹
 D=Ø dos rebolos de corte.....	76 mm
d=Ø do orifício.....	10 mm
b=Espessura do rebolo separador mín. / máx.	1 mm / 3,2 mm
Profundidade de corte máx.....	16,3 mm
Largura de corte.....	min. 1 mm / max. 3,2 mm
Tensão do acumulador.....	12 V
Peso nos termos do procedimento-EPTA 01/2014 (6,0 Ah).....	1,3 kg
Temperatura ambiente recomendada ao trabalhar.....	-18...+50 °C
Tipos de baterias recomendadas.....	M12B2...M12B6
Carregadores recomendados.....	C12C,M12C4, M12-18AC,M12-18C, M12-18C3, M12-18FC,....

Informações sobre ruído/vibração (cortar betão)

Valores de medida de acordo com EN 60 745.
Normalmente o nível de pressão de ruído da ferramenta é
Nível da pressão de ruído (Incertez K=3dB(A))..... 105 dB (A)
Nível da potência de ruído (Incertez K=3dB(A))..... 94 dB (A)
Use protectores auriculares!

Valores totais de vibração (soma dos vectores das três direcções) determinadas conforme EN 60745.
Valor de emissão de vibração a_{h,sc}..... 2,9 m/s²
Incerteza K=..... 1,5 m/s²

ATENÇÃO

O nível vibratório indicado nestas instruções foi medido em conformidade com um procedimento de medição normalizado na EN 60745 e pode ser utilizado para comparar entre si ferramentas eléctricas. O mesmo é também adequado para avaliar provisoriamente o esforço vibratório.

O nível vibratório indicado representa as principais aplicações da ferramenta eléctrica. Se, no entanto, a ferramenta eléctrica for utilizada para outras aplicações, com outras ferramentas adaptadas ou uma manutenção insuficiente, o nível vibratório poderá divergir. Isto pode aumentar consideravelmente o esforço vibratório ao longo de todo o período do trabalho.

Para uma avaliação exacta do esforço vibratório devem também ser considerados os tempos durante os quais o aparelho está desligado ou está a funcionar, mas não está efectivamente a ser utilizado. Isto pode reduzir consideravelmente o esforço vibratório ao longo de todo o período do trabalho.

Defina medidas de segurança suplementares para proteger o operador do efeito das vibrações, como por exemplo: manutenção da ferramenta eléctrica e das ferramentas adaptadas, manter as mãos quentes, organização das sequências de trabalho.

⚠ ADVERTÊNCIA! Leia todas as instruções de segurança e todas as instruções. O desrespeito das advertências e instruções apresentadas abaixo pode causar choque eléctrico, incêndio e/ou graves lesões. **Guarde bem todas as advertências e instruções para futura referência.**

⚠ INSTRUÇÕES DE SEGURANÇA PARA SERRAS CIRCULARES

- a) **A tampa de protecção que faz parte da ferramenta eléctrica deve ser fixada seguramente e ajustada, de forma que um máximo de segurança seja obtido, ou seja, a menor parte do corpo abrasivo não coberta mostre para o operador. O utilizador e as pessoas que se encontrem na proximidade devem manter-se fora do nível do disco abrasivo em rotação. A tampa de protecção deve proteger o utilizador contra peças quebradas e o contacto accidental com o corpo abrasivo.**
- b) **Use somente discos de corte de liga, reforçados ou diamantados para a sua ferramenta eléctrica. Só porque o acessório pode ser fixado na sua ferramenta eléctrica, isto não significa que uma utilização segura é garantida.**
- c) **As rotações admissíveis da ferramenta de trabalho devem ser pelo menos tão elevadas como as rotações máximas indicadas na ferramenta eléctrica. Os acessórios que rodam mais rapidamente do que o permitido podem partir-se e ser projectados.**
- d) **Os corpos abrasivos só devem ser utilizados para as aplicações recomendadas. P. ex.: Jamais lixar com**

a superfície lateral de um disco de corte. Disco de corte são destinados para o desbaste de material com o canto do disco. Uma força lateral sobre estes corpos abrasivos pode quebrá-los.

- e) **Utilize sempre flanges de tensionamento não danificados no tamanho certo para o disco de corte seleccionado por si. As flanges adequadas apoiam o disco de corte e reduzem, deste modo, o perigo de uma quebra do disco de corte.**
- f) **Não utilizar discos abrasivos gastos de outras ferramentas eléctricas maiores. Discos abrasivos para ferramentas eléctricas maiores não são apropriados para os números de rotação mais altos de ferramentas eléctricas menores e podem quebrar.**
- g) **O diâmetro exterior e a espessura da ferramenta de trabalho devem corresponder às dimensões da sua ferramenta eléctrica. As ferramentas eléctricas com as dimensões erradas não podem ser suficientemente protegidas ou controladas.**
- h) **Os discos abrasivos e os flanges devem caber exactamente no fuso de esmerilhamento da sua ferramenta eléctrica. Ferramentas de trabalho que não caibam exactamente no fuso de esmerilhamento da ferramenta eléctrica, giram de forma irregular, vibram muito e podem levar à perda do controlo.**
- i) **Não use discos abrasivos danificados. Antes de cada utilização, verifique se os discos abrasivos estão lascados ou fissurados. Se a ferramenta eléctrica ou o disco abrasivo cair, verifique se está danificado ou use um disco abrasivo não danificado. Depois de controlar**

e inserir o disco abrasivo, o utilizador e pessoas que se encontrem na proximidade devem manter-se fora do nível do disco abrasivo rotativo. Deixe o aparelho operar por um minuto com o número de rotações máximo. Geralmente, discos abrasivos danificados quebram durante este período de teste.

- j) **Utilizar um equipamento de protecção pessoal. De acordo com a aplicação, deverá utilizar uma protecção para todo o rosto, protecção para os olhos ou um óculos protector. Se for necessário, deverá utilizar uma máscara contra pó, protecção auricular, luvas de protecção ou um avental especial, para proteger-se de pequenas partículas de amoladura e de material. Os olhos devem ser protegidos contra partículas a voar, produzidas durante as diversas aplicações. A máscara contra pó ou a máscara de respiração deve ser capaz de filtrar o pó produzido durante a respectiva aplicação. Se for sujeito durante longo tempo a fortes ruídos, poderá sofrer a perda da capacidade auditiva.**
 - k) **Quanto às outras pessoas, preste atenção a uma distância segura em relação à sua área de trabalho. Qualquer pessoa que aceda à área de trabalho deve usar equipamento de protecção pessoal. Os fragmentos do material a trabalhar das ferramentas de trabalho partidas podem voar e provocar ferimentos, mesmo fora da área de trabalho directa.**
 - l) **Segure o aparelho nas superfícies de punho isoladas se estiver a executar trabalhos, nos quais a ferramenta de corte pode tocar em linhas eléctricas escondidas ou no próprio cabo. O contacto da ferramenta de corte com uma linha sob tensão também pode colocar peças metálicas do aparelho sob tensão e levar a um choque eléctrico.**
 - m) **Manter o cabo de rede afastado de ferramentas de trabalho em rotação. Se perder o controlo sobre a ferramenta eléctrica, é possível que o cabo de rede seja cortado ou enganchado e a sua mão ou braço sejam puxados contra a ferramenta de trabalho em rotação.**
 - n) **Nunca pouse a ferramenta eléctrica antes de a ferramenta de trabalho parar completamente. A ferramenta de trabalho rotativa pode entrar em contacto com a área de apoio, podendo perder o controlo sobre a ferramenta eléctrica.**
 - o) **Não permitir que a ferramenta eléctrica funcione enquanto estiver a transportá-la. A sua roupa pode ser agarrada devido a um contacto accidental com a ferramenta de trabalho em rotação, de modo que a ferramenta de trabalho possa ferir o seu corpo.**
 - p) **Limpar regularmente as aberturas de ventilação da sua ferramenta eléctrica. A ventoinha do motor puxa pó para dentro da carcaça, e uma grande quantidade de pó de metal pode causar perigos eléctricos.**
 - q) **Não utilize a ferramenta eléctrica perto de materiais inflamáveis. As faíscas podem inflamar estes materiais.**
 - r) **Não utilize ferramentas de trabalho que precisam de líquidos de refrigeração líquidos. A utilização de água ou outros líquidos de refrigeração líquidos pode provocar um choque eléctrico.**
- Outras instruções de segurança para aplicações de rectificação de corte**
- Repercussão e respectivas indicações de segurança**
O contra-golpe é a reacção repentina, devido a um disco abrasivo em rotação emperrado ou bloqueado. O emperramento ou o bloqueio levam a uma parada repentina da ferramenta rotativa utilizada. Isto acelera uma ferramenta eléctrica descontrolada contra o sentido de rotação da ferramenta utilizada no ponto do bloqueio.
Se por exemplo um disco abrasivo travar ou bloquear numa peça a ser trabalhada, o canto do disco abrasivo pode mergulhar na peça a ser trabalhada e encravar-se, quebrando o disco abrasivo ou causando um contra-golpe. O disco abrasivo se movimentar então no sentido do

operador ou para longe deste, dependendo do sentido de rotação do disco no local do bloqueio. Sob estas condições os discos abrasivos também podem partir-se.

Um contra-golpe é a consequência de uma utilização incorrecta ou indevida da ferramenta eléctrica. Ele pode ser evitado por apropriadas medidas de precaução como descrito a seguir.

- a) **Segurar firmemente a ferramenta eléctrica e posicionar o seu corpo e os braços de modo que possa resistir às forças de um contra-golpe. Sempre utilizar o punho adicional, se existente, para assegurar o máximo controlo possível sobre as forças de um contra-golpe ou sobre momentos de reacção durante o arranque. O operador pode controlar as forças de contra-golpe e as forças de reacção através de medidas de precaução apropriadas.**
- b) **Jamais permita que as suas mãos se encontrem perto de ferramentas de trabalho em rotação. No caso de um contragolpe a ferramenta de trabalho poderá passar pela sua mão.**
- c) **Evite a área em frente e atrás do disco de corte em rotação. O contra-golpe leva a ferramenta eléctrica para a direcção oposta ao movimento do disco abrasivo no ponto de bloqueio.**
- d) **Trabalhar com especial cuidado na área ao redor de esquinas, cantos afiados etc. Evite que ferramentas de trabalho sejam ricocheteadas e travadas pela peça a ser trabalhada. A ferramenta de trabalho em rotação tende a travar em esquinas, em cantos afiados ou se for ricocheteada. Isto causa uma perda de controlo ou um contra-golpe.**
- e) **Não use uma corrente de serra ou uma lâmina da serra dentada ou um disco diamantado segmentado com fendas de mais de 10 mm de largura. Estas ferramentas levam frequentemente a um contra-golpe ou à perda do controlo sobre a ferramenta eléctrica.**
- f) **Evitar um bloqueio do disco de corte ou uma força de pressão demasiado alta. Não efectuar cortes extremamente profundos. Uma sobrecarga do disco de corte aumenta o desgaste e a predisposição para emperrar e bloquear e portanto a possibilidade de um contra-golpe ou uma ruptura do corpo abrasivo.**
- g) **Se o disco de corte emperrar ou se o trabalho for interrompido, deverá desligar a ferramenta eléctrica e mantê-la parada, até o disco parar completamente. Jamais tentar puxar o disco de corte para fora do corte enquanto ainda estiver em rotação, caso contrário poderá ser provocado um contra-golpe. Verificar e eliminar a causa do emperramento.**
- h) **Não ligar novamente a ferramenta eléctrica, enquanto ainda estiver na peça a ser trabalhada. Permita que o disco de corte alcance o seu completo número de rotação, antes de continuar cuidadosamente a cortar. Caso contrário é possível que o disco emperre, pule para fora da peça a ser trabalhada ou cause um contra-golpe.**
- i) **Apoiar placas ou peças grandes, para reduzir um risco de contra-golpe devido a um disco de corte emperrado. Peças grandes podem curvar-se devido ao próprio peso. A peça a ser trabalhada deve ser apoiada de ambos os lados, tanto nas proximidades do corte como também nos cantos.**
- j) **Tenha o cuidado ao efectuar “Cortes de bolso” em paredes existentes ou em outras superfícies, onde não é possível reconhecer o que há por detrás. O disco de corte pode causar um contra-golpe se cortar accidentalmente tubulações de gás ou de água, cabos eléctricos ou outros objectos.**

INSTRUÇÕES DE SEGURANÇA E TRABALHO SUPLEMENTARES

As rotações admissíveis da ferramenta de trabalho devem ser pelo menos tão elevadas como as rotações máximas indicadas na ferramenta eléctrica. Os acessórios que rodam mais rapidamente do que o permitido podem partir-se e ser projectados.

Utilizar equipamento de protecção. Durante os trabalhos com a máquina, usar sempre óculos de protecção. Vestuário de protecção, bem como máscara de pó, sapatos fechados e antiderrapante, capacete e protecção auditiva são recomendados.

AVISO Para reduzir o risco de feridas nos trabalhos com muita formação de pó recomendamos utilizar uma solução de aspiração de pó da Milwaukee de acordo com o manual de instruções.

O pó que resulta ao trabalhar pode ser nocivo para a saúde, por isso não devendo penetrar no corpo. Use uma máscara de protecção contra pó apropriada.

Não devem ser processados materiais que representem um perigo para a saúde (p. ex. asbesto).

Desligue o aparelho imediatamente, quando a ferramenta de inserção bloquear! Não ligue o aparelho novamente durante o bloqueio da ferramenta de inserção, pois isso pode levar a um recuo repentino com uma alta força reactiva. Verifique e elimine a causa do bloqueio da ferramenta de inserção, observando as instruções de segurança.

Causas possíveis podem ser:

- Emperramento na peça a trabalhar
- Material a processar rompido
- Sobrecarga da ferramenta eléctrica

Não toque na máquina em operação.

A ferramenta de inserção pode ficar quente durante a operação.

- na troca das ferramentas
- ao depositar o aparelho

Ao trabalhar em paredes, tectos e soalhos prestar atenção a que não sejam atingidos cabos eléctricos e canalizações de gás e água.

Antes de efectuar qualquer intervenção na máquina retirar o bloco acumulador.

Não queimar acumuladores gastos nem deitá-los no lixo doméstico. A Milwaukee possui uma eliminação de acumuladores gastos que respeita o meio ambiente.

Não guardar acumuladores junto com objectos metálicos (perigo de curto-circuito).

Use apenas carregadores do Sistema M12 para recarregar os acumuladores do Sistema M12. Não utilize acumuladores de outros sistemas.

Carregadores só devem ser utilizados em recintos secos.

Em caso de cargas ou temperaturas extremas, um acumulador de substituição danificado poderá verter líquido de bateria. Se entrar em contacto com este líquido, deverá lavar-se imediatamente com água e sabão. Em caso de contacto com os olhos, enxagúe-os bem e de imediato durante pelo menos 10 minutos e consulte um médico o mais depressa possível.

Advertência! Para evitar o risco de incêndio, de feridas ou de danificação do produto causado por um curto-circuito, não imerja a bateria intercambiável ou o carregador em líquidos e assegure-se de que líquidos não penetrem nos aparelhos ou nas baterias. Líquidos corrosivos ou condutivos como água salgada, determinadas substâncias químicas ou produtos que contenham branqueadores podem causar um curto-circuito.

UTILIZAÇÃO AUTORIZADA

Esta ferramenta de corte destina-se a ser usada para cortar diferentes materiais.

Não use este produto de outra maneira sem ser a normal para o qual foi concebido.

Para reduzir o risco de ferir-se, use somente rebolos diamantados do tipo 1 com uma espessura máxima de 3,2 mm, que podem ser operados seguramente com um número de rotações mínimo de 20.000 min-1. Rebolos do

tipo 1 só são apropriados para a lixagem lateral e não para lixar superfícies. Observe todas as instruções de segurança fornecidas com os discos de corte.

Use a seguinte visão geral para escolher o rebolo adequado. Rebolos diferentes devem ser usados, dependendo do material. Observe as instruções do fabricante de rebolos.

Tipo de rebolo	Para lixar
Rebolos de carboneto	Placas de gesso, fibrocimento, plástico
Discos de corte	Aço, aço inoxidável, materiais não ferrosos
Rebolos diamantados	Ladrilhos, betão, tijolo, cerâmica

DECLARAÇÃO DE CONFORMIDADE CE

Declaramos sob responsabilidade exclusiva, que o produto descrito sob „Dados técnicos“ corresponde com todas as disposições relevantes da diretiva 2011/65/EU (RoHS), 2014/30/UE, 2006/42/CE e dos seguintes documentos normativos harmonizados.

EN 60745-1:2009+A11:2010
EN 60745-2-22:2011+A11:2013
EN 55014-1:2017+A11:2020
EN 55014-2:2015
EN IEC 63000:2018

Winnenden, 2020-10-29



Alexander Krug
Managing Director



Autorizado a reunir a documentação técnica.

Techtronic Industries GmbH
Max-Eyth-Straße 10
71364 Winnenden
Germany

ACUMULADOR

Acumuladores não utilizados durante algum tempo devem ser recarregados antes da sua utilização.

Temperaturas acima de 50°C reduzem a capacidade do bloco acumulador. Evitar exposição prolongada ao sol ou a caloríferos.

Manter limpos os contactos eléctricos no carregador e no bloco acumulador.

Para uma vida útil óptima dos acumuladores, terá que carregá-los plenamente após a sua utilização.

Para assegurar uma vida útil longa, o pacote de bateria deve ser removido da carregadora depois do carregamento.

Se o pacote de bateria for armazenado por mais de 30 dias: Armazene o pacote de bateria com aprox. 27°C em um lugar seco.

Armazene o pacote de bateria com aprox. 30%-50% da carga completa.
Carregue o pacote de bateria novamente de 6 em 6 meses.

PROTECÇÃO DE SOBRECARGA DE BATERIA

As baterias estão equipadas com uma protecção contra sobrecarga, que as protege de uma sobrecarga e lhes conferem uma longa durabilidade. No caso de um esforço extremamente elevado a electrónica das baterias desliga

automaticamente o aparelho. Para continuar a trabalhar desligar e voltar a ligar o aparelho. Se o aparelho não se voltar a ligar, é porque o conjunto das baterias está possivelmente descarregado e tem de voltar a ser carregado na carregadora.

TRANSPORTE DE BATERIAS DE IÃO-LÍTIU

Baterias de ião-lítio estão sujeitas às disposições da legislação relativa às substâncias perigosas.

O transporte destas baterias deve ser efetuado de acordo com as disposições e os regulamentos locais, nacionais e internacionais.

- O utilizador pode efetuar o transporte rodoviário destas baterias sem restrições.
- O transporte comercial de baterias de ião-lítio por terceiros está sujeito aos regulamentos relativos às substâncias perigosas. A preparação do transporte e o transporte devem ser executados exclusivamente por pessoas instruídas e o processo deve ser acompanhado pelos especialistas correspondentes.

Observe o seguinte no transporte de baterias:

- Assegure-se de que os contactos terminais estejam protegidos e isolados para evitar um curto-circuito.
- Assegure-se de que o bloco da bateria esteja protegido contra movimentos na embalagem.
- Não transporte baterias danificadas ou que tenham fuga.

Para instruções mais detalhadas consulte a companhia de transportes

MANUTENÇÃO

Manter desobstruídos os rasgos de ventilação na carcaça da máquina.

Certifique-se que desliga a ferramenta da rede eléctrica antes de instalar ou remover a lâmina serra.

Limpe o aparelho e o dispositivo de protecção com um pano seco. Alguns detergentes danificam o plástico ou outras peças isoladas. Mantenha o aparelho limpo e seco e livre de óleo ou graxa que saiu. Verifique a função das tampas de protecção. Uma manutenção e limpeza em intervalos regulares cuida de uma longa vida útil e de um manejo seguro.

Utilizar apenas acessórios Milwaukee e peças sobresselentes Milwaukee. Os componentes cuja substituição não esteja descrita devem ser substituídos num serviço de assistência técnica Milwaukee (consultar a brochura relativa à garantia/moradas dos serviços de assistência técnica).

Se for necessário, um desenho de explosão do aparelho pode ser solicitado do seu posto de assistência ao cliente ou directamente da Techtronic Industries GmbH, Max-Eyth-Straße 10, 71364 Winnenden, Alemanha, indicando o tipo da máquina e o número de seis posições na chapa indicadora da potência.

SYMBOLE



ATENÇÃO! PERIGO!



Antes de efectuar qualquer intervenção na máquina retirar o bloco acumulador.



Leia atentamente o manual de instruções antes de colocar a máquina em funcionamento.



Use luvas de protecção!



Use protectores auriculares!



Usar sempre óculos de protecção ao trabalhar com a máquina.
Use uma máscara de protecção contra pó apropriada.



Acessório - Não incluído no equipamento normal, disponível como acessório.



Aparelhos eléctricos, baterias/acumuladores não devem ser jogados no lixo doméstico. Os aparelhos eléctricos e as baterias devem ser colectados separadamente e entregues a uma empresa de reciclagem para a eliminação correcta. Solicite informações sobre empresas de reciclagem e postos de colecta de lixo das autoridades locais ou do seu vendedor autorizado.



Marca de Conformidade Europeia



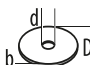
Marca de Conformidade Britânica



Marca de Conformidade Ucraniana



Marca de Conformidade Eurasiática

Productienummer	4679 85 02...
	...000001-999999
Nominaal toerental	20000 min ⁻¹
 D=Doorslijpschijven-ø	76 mm
d=Asgat-ø	10 mm
b=Dikte doorslijpschijven min. / max.	1 mm / 3,2 mm
Schroefdiepte	16,3 mm
Freesbreedte	min. 1 mm / max. 3,2 mm
Spanning wisselakku	12 V
Gewicht volgens de EPTA-procedure 01/2014 (6,0 Ah)	1,3 kg
Aanbevolen omgevingstemperatuur tijdens het werken	-18...+50 °C
Aanbevolen accutypes	M12B2...M12B6
Aanbevolen laadtoestellen	C12C,M12C4, M12-18AC,M12-18C, M12-18C3, M12-18FC,...

Geluids-/trillingsinformatie (beton snijden)
 Meetwaarden vastgesteld volgens EN 60 745. Het kenmerkende A-gewaardeerde geluidsdrumniveau van de machine bedraagt Geluidsdrumniveau (Onzekerheid K=3dB(A)) 105 dB (A)
 Geluidsvermogeniveau (Onzekerheid K=3dB(A)) 94 dB (A)
Draag oorbeschermers!
 Totale trillingswaarden (vectorsom van drie richtingen) bepaald volgens EN 60745.
 Trillingsemisssie waarde a_{h,SG}..... 2,9 m/s²
 Onzekerheid K=..... 1,5 m/s²

WAARSCHUWING

De in deze aanwijzingen vermelde trillingsdruk is gemeten volgens een in EN 60745 genommerde meetmethode en kan worden gebruikt voor de onderlinge vergelijking van apparaten. Hij is ook geschikt voor een voorlopige inschatting van de trillingsbelasting.

De aangegeven trillingsdruk geldt voor de meest gebruikelijke toepassingen van het elektrische apparaat. Wanneer het elektrische gereedschap echter voor andere doeleinden, met andere dan de voorgeschreven hulpstukken gebruikt of niet naar behoren onderhouden wordt, kan de trillingsdruk afwijken. Dit kan de waarde van de trillingsdruk over de hele werkperiode aanzienlijk verhogen.

Voor een nauwkeurige inschatting van de trillingsdruk moeten ook de tijden in aanmerking worden genomen dat het apparaat uitgeschakeld is of weliswaar loopt, maar niet werkelijk in gebruik is. Dit kan de waarde van de trillingsdruk over de hele werkperiode aanzienlijk verminderen.

Bepaal extra veiligheidsmaatregelen ter bescherming van de bediener tegen de inwerking van trillingen, bijvoorbeeld: onderhoud van elektrische gereedschappen en apparaten, warmhouden van de handen, organisatie van de werkprocessen.

WAARSCHUWING! Lees alle veiligheidsinstructies en aanwijzingen. Als de waarschuwingen en voorschriften niet worden opgevolgd, kan dit een elektrische schok, brand of ernstig letsel tot gevolg hebben.
Bewaar alle waarschuwingen en voorschriften voor toekomstig gebruik.

VEILIGHEIDSLINSTRUCTIES VOOR CIRKELZAGEN

- a) De bij het elektrische gereedschap behorende kap moet veilig bevestigd en zodanig ingesteld zijn dat een maximum aan veiligheid wordt bereikt, d.w.z. het kleinste mogelijke deel van de slijpschijf wijst open naar de gebruiker. Waarborg dat u zelf en andere personen buiten het bereik van de roterende slijpschijf blijven. De veiligheidsskap moet de gebruiker tegen afgebroken stukken en toevallig contact met het slijpgereedschap beschermen.
- b) Gebruik uitsluitend gebonden, versterkte doorslijpschijven of diamant-doorslijpschijven voor het elektrische gereedschap. Alleen het feit dat u het toebehoren op het elektrische gereedschap kunt bevestigen, garandeert nog geen veilig gebruik.
- c) Het toelaatbare toerental van het inzetgereedschap moet minstens even hoog zijn als het maximale toerental dat op het elektrische gereedschap is aangegeven. Toebehoren dat sneller draait dan toegestaan, kan breken en in het rond vliegen.
- d) Slijptoebehoren mag alleen worden gebruikt voor de geadviseerde toepassingsmogelijkheden. Bijvoorbeeld: slijp nooit met het zijvlak van een doorslijpschijf.

- Doorslijpschijven zijn bestemd voor materiaalafname met de rand van de schijf. Een zijwaartse krachtinwerking op dit slijptoebehoren kan het toebehoren breken.
- e) Gebruik alleen onbeschadigde klemflenzen met de juiste maat voor de door u gekozen doorslijpschijf. Correcte flenzen steunen de doorslijpschijf en beperken zo het risico dat de schijf breekt.
- f) Gebruik geen versleten slijpschijven van grotere elektrische gereedschappen. Slijpschijven voor grotere elektrische gereedschappen zijn niet geconstrueerd voor de hogere toerentallen van kleinere elektrische gereedschappen en kunnen breken.
- g) De buitendiameter en de dikte van het inzetstuk dienen overeen te komen met de opgegeven maten van uw elektrische gereedschap. Inzetstukken met de verkeerde afmetingen kunnen niet voldoende worden afgeschermd of gecontroleerd.
- h) Slijpschijven en flenzen moeten exact op de slijpspil van het elektrische gereedschap passen. Toebehoren dat niet exact op de slijpspil van het elektrische gereedschap past, draait ongelijkmatig, trilt sterk en kan controleverlies over het gereedschap veroorzaken.
- i) Gebruik geen beschadigde slijpschijven. Controleer vóór ieder gebruik de slijpschijven op afsplinteringen en scheuren. Als het elektrische gereedschap of de slijpschijf op de grond valt, moet worden gecontroleerd of de schijf beschadigd is of moet een onbeschadigde schijf worden gebruikt. Als u de slijpschijf gecontroleerd en geplaatst hebt, dienen u en in buurt aanwezige personen buiten het bereik van de roterende slijpschijf

- te blijven en moet het apparaat gedurende één minuut op maximaal toerental draaien. Beschadigde slijpschijven breken meestal gedurende deze testtijd.
- j) Draag persoonlijke beschermende uitrusting. Gebruik afhankelijk van de toepassing een volledige gezichtsbescherming, oogbescherming of veiligheidsbril. Draag voor zover van toepassing een stofmasker, een gehoorbescherming, werkhandschoenen of een speciaal schort dat kleine slijp- en materiaaldeeltjes tegenhoudt. Uw ogen moeten worden beschermd tegen wegvliegende deeltjes die bij verschillende toepassingen ontstaan. Een stof- of adembeschermingsmasker moet het bij de toepassing ontstaande stof filteren. Als u lang wordt blootgesteld aan luid lawaai, kan uw gehoor worden beschadigd.
- k) Let erop dat andere personen op een veilige afstand van de werkplek blijven. Iedereen die de werkplek betreedt, dient persoonlijke beschermingsmiddelen te gebruiken. Brokstukken van het werkstuk of gebroken inzetstukken kunnen wegvliegen en ook buiten het directe werkbereik verwondingen veroorzaken.
- l) Houd het apparaat alléén aan de geïsoleerde grijpvlakken vast, wanneer u werkzaamheden uitvoert waarbij het snijgereedschap verborgen stroomleidingen of de eigen apparaatkabel zou kunnen raken. Het contact van het snijgereedschap met een spanningvoerende leiding kan de metalen apparaatdelen onder spanning zetten en zo tot een elektrische schok leiden.
- m) Houd de stroomkabel uit de buurt van draaiende inzetgereedschappen. Als u de controle over het elektrische gereedschap verliest, kan de stroomkabel worden doorgesneden of meegenomen en uw hand of arm kan in het ronddraaiende inzetgereedschap terecht komen.
- n) Leg het elektrische gereedschap nooit neer, vóór het inzetstuk volledig tot stilstand is gekomen. Het draaiende inzetstuk kan in aanraking komen met de ondergrond, waardoor u de controle over het elektrische gereedschap kunt verliezen.
- o) Laat het elektrische gereedschap niet lopen terwijl u het draagt. Uw kleding kan door toevallig contact met het draaiende inzetgereedschap worden meegenomen en het inzetgereedschap kan zich in uw lichaam boren.
- p) Reinig regelmatig de ventilatieopeningen van het elektrische gereedschap. De motorventilator trekt stof in het huis en een sterke ophoping van metaalstof kan elektrische gevaren veroorzaken.
- q) Gebruik het elektrische gereedschap niet in de buurt van brandbare materialen. Vonken kunnen deze materialen doen ontvlammen.
- r) Gebruik geen inzetstukken waarvoor vloeibaar koelmiddel nodig is. Het gebruik van water of andere vloeibare koelmiddelen kan elektrische schokken veroorzaken.

Verdere veiligheidsinstructies voor doorslijpwerkzaamheden

Terugslag en bijbehorende veiligheidsinstructies
 Een terugslag is de plotselinge reactie op een hakende of geblokkeerde slijpschijf. Haken of blokkeren leidt tot een abrupte stop van het roterende gereedschap. Een ongecontroleerd elektrisch gereedschap wordt hierdoor op de plaats van de blokkering tegen de draairichting van het gereedschap in versneld.
 Als bijvoorbeeld een slijpschijf in het werkstuk vasthaakt of blokkeert, kan de rand van de slijpschijf die in het werkstuk invalt, zich vastgrijpen. Daardoor kan de slijpschijf uitbreken of een terugslag veroorzaken. De slijpschijf beweegt zich vervolgens naar de bediener toe of van de bediener weg, afhankelijk van de draairichting van de schijf op de plaats van de blokkering. Hierbij kunnen slijpschijven ook breken.
 Een terugslag is het gevolg van het verkeerd gebruik of onjuiste gebruiksomstandigheden van het elektrische gereedschap. Terugslag kan worden voorkomen door

- geschikte voorzorgsmaatregelen, zoals hieronder beschreven.
- a) Houd het elektrische gereedschap goed vast en breng uw lichaam en uw armen in een positie waarin u de terugslagkrachten kunt opvangen. Gebruik altijd de extra handgreep, indien aanwezig, om de grootst mogelijke controle te hebben over terugslagkrachten of reactiemomenten bij het op toeren komen. De bediener kan door geschikte voorzorgsmaatregelen de terugslag- en reactiekrachten beheersen.
- b) Breng uw hand nooit in de buurt van draaiende inzetgereedschappen. Het inzetgereedschap kan bij de terugslag over uw hand bewegen.
- c) Blijf buiten het bereik vóór en achter de roterende doorslijpschijf. De terugslag beweegt het elektrische gereedschap op de plaats van de blokkering in de tegenovergestelde draairichting van de slijpschijf.
- d) Werk bijzonder voorzichtig in de buurt van hoeken, scherpe randen, enz. Voorkom dat inzetgereedschappen van het werkstuk terugspringen en vastklemmen. Het ronddraaiende inzetgereedschap neigt er bij hoeken, scherpe randen of wanneer het terugspringt toe om zich vast te klemmen. Dit veroorzaakt een controleverlies of terugslag.
- e) Gebruik geen kettingzaagblad of getand zaagblad en geen gesegmenteerde diamantschijven met meer dan 10 mm brede sleuven. Dergelijke apparaten veroorzaken vaak een terugslag, hetgeen tot controleverlies over het elektrische apparaat kan leiden.
- f) Voorkom blokkeren van de doorslijpschijf en te hoge aandrukkracht. Slijp niet overmatig diep. Een overbelasting van de doorslijpschijf vergroot de slijtage en de gevoeligheid voor kantelen of blokkeren en daardoor de mogelijkheid van een terugslag of breuk van het slijptoebehoren.
- g) Als de doorslijpschijf vastklemt of als u de werkzaamheden onderbreekt, schakelt u het elektrische gereedschap uit en houdt u het rustig tot de schijf tot stilstand is gekomen. Probeer nooit om de nog draaiende doorslijpschijf uit de groef te trekken. Anders kan een terugslag het gevolg zijn. Stel de oorzaak van het vastklemmen vast en maak deze ongedaan.
- h) Schakel het elektrische gereedschap niet opnieuw in zolang het zich in het werkstuk bevindt. Laat de doorslijpschijf eerst het volledige toerental bereiken voordat u het doorslijpen voorzichtig voortzet. Anders kan de schijf vasthakken, uit het werkstuk springen of een terugslag veroorzaken.
- i) Ondersteun platen of grote werkstukken om het risico van een terugslag door een ingeklemde doorslijpschijf te verminderen. Grote werkstukken kunnen onder hun eigen gewicht doorbuigen. Het werkstuk moet aan beide zijden worden ondersteund, vlakbij de slijpgrond en aan de rand.
- j) Wees bijzonder voorzichtig bij invallend frezen in bestaande muren of andere plaatsen zonder voldoende zicht. De invallende doorslijpschijf kan bij het doorslijpen van gas- of waterleidingen, elektrische leidingen of andere objecten een terugslag veroorzaken.

VERDERE VEILIGHEIDS- EN WERKINSTRUCTIES

Het toelaatbare toerental van het inzetgereedschap moet minstens even hoog zijn als het maximale toerental dat op het elektrische gereedschap is aangegeven. Toebehoren dat sneller draait dan toegestaan, kan breken en in het rond vliegen.
 Draag veiligheidsuitrusting. Bij werkzaamheden met de machine dient u altijd een veiligheidsbril te dragen. Veiligheidskleding zoals stofmasker, veiligheids handschoenen, stevig en slipvast schoeisel, helm en gehoorbescherming worden aanbevolen.
WAARSCHUWING Wij adviseren het gebruik van een Milwaukee stofafzuiging volgens de handleiding om het

risico voor persoonlijk letsel bij werkzaamheden met aanzienlijke stofontwikkeling te verminderen.

Het gedurende het werken vrijkomende stof is doorgaans schadelijk voor de gezondheid en mag niet met het lichaam in aanraking komen. Draag derhalve een geschikt stofbeschermsmasker.

Het is niet toegestaan, materialen te bewerken waarvan een gezondheidsgevaar uitgaat (bijv. asbest).

Schakel het apparaat onmiddellijk uit als het gereedschap blokkeert! Schakel het apparaat niet in zolang het gereedschap geblokkeerd is; dit zou een terugslag met een hoog reactiemoment kunnen veroorzaken. Achterhaal en verhelp de oorzaak voor de blokkering van het gereedschap met inachtneming van de veiligheidsinstructies.

Mogelijke oorzaken voor de blokkering:

- kantelen in het te bewerken werkstuk
- doorbreken van het te bewerken materiaal
- overbelasting van het elektrische gereedschap

Grijp niet in de lopende machine.

Het gereedschap kan heet worden tijdens het gebruik.

- bij het vervangen van het gereedschap
- bij het neerleggen van het apparaat

Bij het werken in wanden, plafonds of vloeren oppassen voor elektriciteitsdraden, gas- of waterleidingen.

Voor alle werkzaamheden aan de machine de accu verwijderen.

Verbruikte accu's niet in het vuur of bij het huisvuil werpen. Milwaukee biedt namelijk een milieuvriendelijke recyclingmethode voor uw oude accu's.

Wisselakku's niet bij metalen voorwerpen bewaren (kortsluitingsgevaar!).

Wisselakku's van het Akku-Systeem M12 alléén met laadapparaten van het Akku-Systeem M12 laden. Geen accu's van andere systemen laden.

Wisselakku's en laadapparaten niet openen en alleen in droge ruimtes opslaan. Tegen vocht beschermen.

Onder extreme belasting of extreme temperaturen kan uit de accu accu-vloeistof lopen. Na contact met accu-vloeistof direct afwassen met water en zeep. Bij oogcontact direct minstens 10 minuten grondig spoelen en onmiddellijk een arts raadplegen.

Waarschuwing! Voorkom brand, persoonlijk letsel of materiële schade door kortsluiting en dompel het gereedschap, de wisselaccu en het laadtoestel niet onder in vloeistoffen en waarborg dat geen vloeistoffen in de apparaten en accu's kunnen dringen. Corrosieve of geleidende vloeistoffen zoals zout water, bepaalde chemicaliën, bleekmiddelen of producten die bleekmiddelen bevatten, kunnen een kortsluiting veroorzaken.

VOORGESCHREVEN GEBRUIK VAN HET SYSTEEM

Dit snijgereedschap is bedoeld om verschillende materialen te snijden.

Dit apparaat uitsluitend gebruiken voor normaal gebruik, zoals aangegeven.

Gebruiken alleen diamantslijpschijven van het type 1 met een maximale dikte van 3,2 mm, die veilig kunnen worden gebruikt met een minimum toerental van 20.000 min-1, om het risico voor letsel tot een minimum te beperken.

Slijpschijven van het type 1 zijn alleen geschikt voor het zijdelings slijpen en niet voor het vlaklijpen. Neem alle bij de doorslijpschijven meegeleverde veiligheidsinstructies in acht.

Gebruik het onderstaande overzicht voor de keuze van de geschikte slijpschijf. Voor ieder materiaal moet een andere slijpschijf worden gebruikt. Neem de gebruiksaanwijzingen van de fabrikant van de slijpschijven in acht.

Schijftype	Voor het slijpen van
Carbide slijpschijven	Gipskarton, vezelcement, kunststof
Doorslijpschijven	Staal, roestvast staal, non-ferromaterialen
Diamantslijpschijven	Tegels, beton, baksteen, keramiek

EC – VERKLARING VAN OVEREENSTEMMING

Wij verklaren in uitsluitende verantwoording dat het onder „Technische gegevens“ beschreven product overeenstemt met alle relevante voorschriften van de richtlijn 2011/65/EU (RoHS), 2014/30/EU, 2006/42/EG en de volgende geharmoniseerde normatieve documenten:

EN 60745-1:2009+A11:2010
EN 60745-2-22:2011+A11:2013
EN 55014-1:2017+A11:2020
EN 55014-2:2015
EN IEC 63000:2018

Winnenden, 2020-10-29

Alexander Krug
Managing Director



Gemachtigd voor samenstelling van de technische documenten

Techtronic Industries GmbH
Max-Eyth-Straße 10
71364 Winnenden
Germany

AKKU

Langere tijd niet toegepaste wisselakku's vóór gebruik altijd naladen.

Een temperatuur boven de 50°C vermindert de capaciteit van de accu. Langdurige verwarming door zon of hitte vermijden.

De aansluitcontacten aan het laadapparaat en de accu schoonhouden.

Voor een optimale levensduur moeten de accu's na het gebruik volledig opgeladen worden.

Voor een zo lang mogelijke levensduur van de accu's dienen deze na het opladen uit het laadtoestel te worden verwijderd.

Bij een langere opslag van de accu dan 30 dagen: accu bij ca. 27 °C droog bewaren. accu bij ca. 30 % - 50 % van de laadtoestand bewaren. accu om de 6 maanden opnieuw opladen.

OVERBELASTINGSBEVEILIGING VAN DE ACCU

Het accupak is uitgerust met een overbelastingsbeveiliging die de accu tegen overbelasting beschermt en een lange levensduur garandeert.

Bij extreem sterke belasting schakelt de accuelektronica de machine automatisch uit. Schakel de machine uit en weer in om door te kunnen werken. Wanneer de machine niet meer start, is het accupak mogelijkwijs ontladen en moet het in het laadtoestel worden opgeladen.

TRANSPORT VAN LITHIUM-IONEN-ACCUS

Lithium-ionen-accu's vallen onder de wettelijke bepalingen inzake het transport van gevaarlijke goederen.

Voor het transport van deze accu's moeten de lokale, nationale en internationale voorschriften en bepalingen in acht worden genomen.

- Verbruikers mogen deze accu's zonder meer over de weg transporteren.
- Het commerciële transport van lithium-ionen-accu's door expeditiebedrijven is onderhevig aan de bepalingen inzake het transport van gevaarlijke goederen. De verzendingsvoorbereidingen en het transport mogen uitsluitend worden uitgevoerd door dienovereenkomstig opgeleide personen. Het complete proces moet vakkundig worden begeleid.

Onderstaande punten moeten bij het transport van accu's in acht worden genomen:

- Waarborg ter vermijding van kortsluitingen dat de contacten beschermd en geïsoleerd zijn.
- Let op dat het accupack in de verpakking niet kan verschuiven.
- Beschadigde of lekkende accu's mogen niet worden getransporteerd.

Neem voor meer informatie contact op met uw expeditiebedrijf.

ONDERHOUD

Altijd de lichtspleten van de machine schoonhouden.

Zorg ervoor dat het werktuig van de stroomvoorziening wordt ontkoppeld voor u het zaagblad vastmaakt of verwijderd.

Reinig het apparaat en de veiligheidsinrichting met een droge doek. Bepaalde reinigingsmiddelen tasten de kunststof of andere geïsoleerde onderdelen aan. Houd het apparaat schoon en droog en vrij van lekkende olie en vet. Controleer de werking van de veiligheidskappen. Regelmatig uitgevoerde onderhouds- en reinigingswerkzaamheden waarborgen een lange levensduur en een veilig gebruik.

Gebruik uitsluitend Milwaukee toebehoren en onderdelen. Indien componenten die moeten worden vervangen niet zijn beschreven, neem dan contact op met een officieel Milwaukee servicecentrum (zie onze lijst met servicecentra).

Zo nodig kan een explosietekening van het apparaat worden aangevraagd bij uw klantenservice of direct bij Techtronic Industries GmbH, Max-Eyth-Straße 10, 71364 Winnenden, Duitsland onder vermelding van het machinetype en het zescijferige nummer op het typeplaatje.

SYMBOLEN



OPGELET! WAARSCHUWING! GEVAAR!



Voor alle werkzaamheden aan de machine de accu verwijderen.



Graag instructies zorgvuldig doorlezen vóórdat u de machine in gebruik neemt.



Draag veiligheidshandschoenen!



Draag oorbeschermers!



Bij het werken met de machine altijd een veiligheidsbril dragen.



Draag derhalve een geschikt stofbeschermsmasker.



Toebehoren - Wordt niet meegeleverd. Is apart leverbaar. Zie hiervoor het toebehorenprogramma.



Elektrische apparaten, batterijen en accu's mogen niet via het huisafval worden afgevoerd. Elektrische apparaten en accu's moeten gescheiden worden verzameld en voor een milieuvriendelijke afvoer worden afgegeven bij een recyclingbedrijf. Informeer bij uw gemeente of bij uw vakhandelaar naar recyclingbedrijven en inzamelpunten.



Europees symbool van overeenstemming



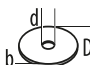
Brits symbool van overeenstemming



Oekraïens symbool van overeenstemming



Euro-Aziatisch symbool van overeenstemming

TEKNISKE DATA		OVERSKÆRINGSMASKINEN	M12 FCOT
Produktionsnummer	4679 85 02...	4679 85 02... ...000001-999999
Nominelt omdrejningstal	20000 min ⁻¹	20000 min ⁻¹
	D=skæreskive-ø	76 mm	76 mm
	d=borings-ø	10 mm	10 mm
	b=Skæreskive tykkelse min. / maks.	1 mm / 3,2 mm	1 mm / 3,2 mm
Skæredybde	16,3 mm	16,3 mm
Skærebredde	min. 1 mm / max. 3,2 mm	min. 1 mm / max. 3,2 mm
Udskiftningsbatteriets spænding	12 V	12 V
Vægt svarer til EPTA-procedure 01/2014 (6,0 Ah)	1,3 kg	1,3 kg
Anbefalet temperatur under arbejdet	-18...+50 °C	-18...+50 °C
Anbefalede batterityper	M12B2...M12B6	M12B2...M12B6
Anbefalede opladere	C12C,M12C4, M12-18AC,M12-18C, M12-18C3, M12-18FC,...	C12C,M12C4, M12-18AC,M12-18C, M12-18C3, M12-18FC,...

Støj/Vibrationsinformation (skære beton)

Måleværdier beregnes iht. EN 60 745.

Værktøjets A-vægtede lydtrykniveau er typisk

Lydtrykniveau (Usikkerhed K=3dB(A)) 105 dB (A)

Lydefekt niveau (Usikkerhed K=3dB(A)) 94 dB (A)

Brug høreværn!

Samlede vibrationsværdier (værdisum for tre retninger)

beregnet iht. EN 60745.

Vibrationseksponering $a_{n,SG}$ 2,9 m/s²

Usikkerhed K= 1,5 m/s²

ADVARSEL

Svingningsniveauet, som er angivet i disse anvisninger, er målt i henhold til standardiseret måleprocedure ifølge EN 60745 og kan anvendes til indbyrdes sammenligning mellem el-værktøjer. Svingningsniveauet er ligeledes egnet som foreløbigt skøn over svingningsbelastningen.

Det angivne svingningsniveau er baseret på el-værktøjets primære anvendelsesformål. Hvis el-værktøjet benyttes til andre formål, med andet indsatsværktøj eller ikke vedligeholdes tilstrækkeligt, kan svingningsniveauet afvige. Dette kan øge svingningsbelastningen over den samlede arbejdsperiode betydeligt.

For en nøjagtig vurdering af svingningsbelastningen skal der også tages højde for de tidsperioder, hvor apparatet er slukket, eller hvor apparatet kører, men uden at være i anvendelse. Dette kan reducere svingningsbelastningen over den samlede arbejdsperiode betydeligt.

Supplerende sikkerhedsforanstaltninger til beskyttelse af brugeren mod påvirkninger fra svingninger skal iværksættes, f.eks.: Vedligeholdelse af el-værktøj og indsatsværktøj, varmholdelse af hænder, organisering af arbejdsprocesser.

ADVARSEL! Læs alle sikkerhedsinformationer og instruktioner. I tilfælde af manglende overholdelse af advarselshenvisningerne og instrukser er der risiko for elektrisk stød, brand og/eller alvorlige kvæstelser.

Opbevar alle advarselshenvisninger og instrukser til senere brug.

SIKKERHEDSINSTRUKTIONER FOR RUNDSAVE

a) Beskyttelsesskærmen der hører til el-værktøjet skal være anbragt sikkert og indstillet sådan, at en maksimal sikkerhed opnås med denne, dvs. at den mindst mulige del af slibelegemet peger åbent mod betjeningspersonen. Sørg for at holde dig selv og personer i nærheden uden for niveauet, hvor slibeskiven roterer. Beskyttelsesskærmen skal beskytte betjeningspersonen mod brudstykker og tilfældig kontakt med slibelegemet.

b) Anvend kun bundne forstærkede eller diamantbesatte skæreskiver til el-værktøjet. At det er muligt at fastgøre tilbehøret på dit el-værktøj, garanterer ikke en sikker anvendelse.

c) Den tilladte hastighed for indsatsværktøjet skal mindst være så høj som den maksimale hastighed, der er angivet på el-værktøjet. Tilbehør, der drejer hurtigere end tilladt, kan brække og de enkelte dele flyve fra hinanden.

d) Slibeskiver/slibestifter må kun anvendes til de anbefalede formål. F.eks.: Slib aldrig med sidefladen på en skæreskive. Skæreskiver er bestemt til materiaalefslibning med kanten på skiven. Udsættes disse slibeskiver/slibestifter for sidevendt kraftpåvirkning, kan de ødelægges.

e) Anvend altid ubeskadigede spændeflanger i den rigtige størrelse til den skæreskive, du har valgt. Egnede flanger støtter skæreskiven og reducerer derfor risikoen for brud på skæreskiven.

f) Brug ikke slidte slibeskiver, der passer til større elværkøjt. Slibeskiver til større elværkøjt kan brække, da de ikke er egnede til de højere omdrejningstal, som småt elværkøjt arbejder med.

g) Den udvendige diameter og tykkelsen på indsatsværktøjet skal svare til målene på dit elværkøjt. Indsatsværktøjer med forkert størrelse kan ikke afskærmes eller kontrolleres på tilstrækkelig vis.

h) Slibeskiver og flange skal passe nøjagtigt på elværkøjtets slibespindel. Indsatsværktøjet, der ikke passer nøjagtigt på el-værkøjtets slibespindel, drejer ujævnt, vibrerer meget kraftigt og kan føre til, at man mister kontrollen over værktøjet

i) Brug ikke beskadigede slibeskiver. Undersøg slibeskiverne før hver brug for skår og revner. Hvis du taber el-værkøjet eller slibeskiven, så undersøg om det eller den er beskadiget eller anvend en ubeskadiget slibeskive. Når slibeskiven er kontrolleret og sat i, så sørg for at holde dig selv og personer i nærheden uden for niveauet, hvor slibeskiven roterer, og lad maskinen køre i et minut med den højeste hastighed. Beskadigede slibeskiver brækker for det meste i denne testtid.

j) Brug personligt beskyttelsesudstyr. Brug helmaske til ansigt, øjenværn eller beskyttelsesbriller, afhængigt af det udførte arbejde. Brug afhængigt af arbejdets art støvmaske, høreværn, beskyttelseshandsker eller specialforklæde, der beskytter dig mod små slibe- og

materiepartikler. Øjenene skal beskyttes mod fremmede genstande, der flyver rundt i luften og som opstår i forbindelse med forskelligt arbejde. Støv- eller åndedrætsmaske skal filtrere det støv, der opstår under arbejdet. Udsættes du for høj støj i længere tid, kan du lide høretab.

k) Sørg for at andre personer befinder sig i en sikker afstand til dit arbejdsområde. Enhver person, der går ind på dit arbejdsområde, skal bruge personlige værnemidler. Brudstykker fra emnet eller brækkede indsatsværktøjer kan flyve væk og medføre tilskadekomst også uden for det direkte arbejdsområde.

l) Hold maskinen fast i de isolerede gribeblader, når du udfører arbejde, hvor der er risiko for, at skæreværktøjet kan ramme skjulte strømledninger eller værktøjets egen ledning. Kommer skæreværktøjet i kontakt med en strømførende ledning, kan maskinens metaldele komme under spænding og give elektrisk stød.

m) Hold netkablet væk fra roterende indsatsværktøjet. Taber du kontrollen over elværkøjet, kan netkablet skæres over eller rammes, og din hånd eller din arm kan trækkes ind i det roterende indsatsværktøjet.

n) Læg aldrig elværkøjet fra dig, før indsatsværktøjet er standsset helt. Det roterende indsatsværktøjet kan komme i kontakt med fralægningsoverfladen, og ved dette kan du miste kontrollen over elværkøjet.

o) Lad ikke elværkøjet køre, mens det bæres. Dit tøj kan blive fanget ved en tilfældig kontakt med det roterende indsatsværktøjt, hvorved indsatsværktøjet kan bore sig ind i din krop.

p) Rengør ventilationsåbningerne på dit el-værktøj med regelmæssige mellemrum. Motorhuset trækker støv ind i huset, og store mængder metalstøv kan være farligt rent elektrisk.

q) Anvend ikke elværkøjet i nærheden af brændbare materialer. Gnister kan antænde disse materialer.

r) Brug ikke indsatsværktøjt, der kræver flydende kølemidler. Anvendelsen af vand eller andre flydende kølemidler kan føre til elektrisk stød.

Yderligere sikkerhedsinstruktioner for skære- / slibeopgaver

Tilbageslag og tilsvarende sikkerhedsanvisninger

Tilbageslag er en pludselig reaktion, som sker på grund af, at en roterende slibeskive har sat sig fast eller blokerer. Fastsættelse eller blokering fører til et pludseligt stop af det roterende indsatsværktøjt. Herved accelereres et ukontrolleret el-værkøjt mod indsatsværktøjtets omdrejningsretning på blokeringsstedet.

Sidder f.eks. en slibeskive fast eller blokerer i et emne, kan kanten på slibeskiven, der dykker ned i emnet, blive siddende, hvorved slibeskiven brækker af eller fører til et tilbageslag. Slibeskiven bevæger sig så hen imod eller væk fra betjeningspersonen, afhængigt af skivens drejerejning på blokeringsstedet. Derved kan slibeskiver også brække.

Et tilbageslag skyldes forkert eller fejlbehæftet brug af el-værkøjt. Det kan forhindres ved at træffe egnede forsigtighedsforanstaltninger, der beskrives i det følgende.

a) Hold godt fast i el-værkøjet og sørg for at både krop og arme befinder sig i en position, der kan klare tilbageslagskræfterne. Anvend altid ekstrahåndtaget, hvis et sådant findes, for at have så meget kontrol som muligt over tilbageslagskræfterne eller reaktionsmomenterne, når maskinen kører op i hastighed. Betjeningspersonen kan beherske tilbageslags- og reaktionskræfterne med egnede forsigtighedsforanstaltninger.

b) Sørg for at din hånd aldrig kommer i nærheden af det roterende indsatsværktøjt. Indsatsværktøjet kan bevæge sig hen over din hånd i forbindelse med et tilbageslag.

c) Undgå området foran og bagved den roterende skæreskive. Tilbageslaget driver el-værkøjt i modsat retning af slibeskivens bevægelse på blokeringsstedet.

d) Arbejd særlig forsigtig i områder som f.eks. hjørner, skarpe kanter osv. Forhindre at indsatsværktøjet slår tilbage fra emnet og sætter sig fast. Det roterende indsatsværktøjt har tendens til at sætte sig fast, når det anvendes i hjørner, skarpe kanter eller hvis det springer tilbage. Dette medfører, at man taber kontrollen eller tilbageslag.

e) Anvend ikke en kædesavklinge eller en tandet savklinge samt ikke en segmenteret diamantskive med mere end 10 mm brede slidser. Sådanne indsatsværktøjt fører ofte til et tilbageslag eller at man mister kontrollen over el-værkøjt.

f) Undgå at skæreskiven blokerer eller får for højt modtryk. Foretag ikke meget dybe snit. Overbelastes skæreskiven, øges skivens belastning og der er større tendens til, at skiven kan sætte sig i klemme eller blokere, hvilket igen kan føre til tilbageslag eller brud på slibeskiven/ slibestiften.

g) Sidder skæreskiven i klemme eller afbryder du arbejdet, slukkes elværkøjet og maskinen holdes roligt, til skiven er stoppet. Forsøg aldrig at trække skæreskiven ud af snittet, mens den roterer, da dette kan føre til et tilbageslag. Lokalisér og afhjælp fejlen.

h) Tænd ikke for elværkøjet, så længe det befinder sig i emnet. Sørg for at skæreskiven når op på sit fulde omdrejningstal, før du forsigtigt fortsætter snittet. Ellers kan skiven sætte sig i klemme, springe ud af emnet eller forårsage et tilbageslag.

i) Understøt plader eller store emner for at reducere risikoen for et tilbageslag som følge af en fastklemt skæreskive. Store plader kan bøje sig under deres egen vægt. Emnet skal støttes på begge sider, både i nærheden af skæresnittet og ved kanten.

j) Vær særlig forsigtig ved „lommensnit“ i bestående vægge eller andre områder, hvor man ikke har direkte indblik. Den neddykkende skæreskive kan forårsage et tilbageslag, når der skæres i gas- eller vandledninger, elektriske ledninger eller andre genstande.

YDERLIGERE SIKKERHEDS- OG ARBEJDSINFORMATIONER

Den tilladte hastighed for indsatsværktøjet skal mindst være så høj som den maksimale hastighed, der er angivet på elværkøjt.

Tilbehør, der drejer hurtigere end tilladt, kan brække og de enkelte dele flyve fra hinanden.

Brug beskyttelsesudstyr. Bær altid sikkerhedsbriller, når du arbejder med maskinen. Vi anbefaler desuden brug af personlig beskyttelsesudrustning, såsom støvmaske, sikkerhedshandsker, fast og skridsikkert skotøj, hjelm og høreværn.

ADVARSEL For at reducere risikoen for skader under arbejde, hvor der produceres store mængder støv, anbefaler vi at bruge en Milwaukee støvsugningssystem iht. betjeningsvejledningen.

Støv, som opstår under arbejdet, er ofte sundhedsfarligt og bør ikke trænge ind i kroppen. Benyt egnede åndedrætsværn.

Der må ikke bearbejdes nogen materialer, der kan udgøre en sundhedsrisiko (f.eks. asbest).

Sluk straks for maskinen, hvis indsatsværktøjet er blokeret! Tænd ikke for maskinen igen, så længe indsatsværktøjet er blokeret; dette kan føre til et tilbageslag med højt reaktionsmoment. Find frem til og afhjælp årsagen til indsatsværktøjtets blokering under hensyntagen til sikkerhedsinstruktionerne.

Mulige årsager hertil kan være:

- at det sidder i klemme i emnet der bearbejdes
- at det har brækket materialet der bearbejdes
- at el-værkøjet er overbelastet

Grib ikke ind i maskinen, når den kører.

Indsatsværktøjet kan blive varmt under brugen.

- ved værktøjskift
- når man lægger maskinen fra sig

Ved arbejdsboring i væg, loft eller gulv skal man passe på elektriske kabler, gas- og vandledninger.

Ved arbejde inden i maskinen, bør batteriet tages ud.

Opbrugte udskiftningsbatterier må ikke brændes eller kasseres sammen med alm. husholdningsaffald. Milwaukee har en miljørigtig bortskaffelse af gamle udskiftningsbatterier, henvend Dem til Deres forhandler.

Opbevar ikke udskiftningsbatterier sammen med metalgenstande af fare for kortslutning.

Brug kun M12 ladeapparater for opladning af System M12 batterier.

Udskiftningsbatterier og opladere må ikke åbnes og skal opbevares i tørre rum. Beskyt dem mod fugtighed.

I tilfælde af en ekstrem belastning eller ekstrem temperatur kan der flyde batterivæske ud af et beskadiget batteri. Hvis De kommer i berøring med batterivæsken, skal den vaskes godt og grundigt af med vand og sæbe. I tilfælde af øjenkontakt, skal man mindst skylle øjnene godt og grundigt igennem i 10 minutter og omgående opsøge en læge.

Advarsel! For at undgå risiko for brand, kvæstelser eller beskadigelse af produktet forårsaget af kortslutning må værktøjet, batteripakken eller opladeren ikke nedsænkes i vand. Sørg ligeledes for, at der ikke trænger væske ind i enhederne og batterierne. Korroderende eller ledende væsker, f.eks. saltvand, bestemte kemikalier, blegestoffer eller produkter, som indeholder blegestoffer, kan forårsage kortslutning.

TILTÆNKT FORMÅL

Dette afskæringsværktøj er beregnet til at blive brugt til at skære forskellige materialer.

Produktet må ikke anvendes på anden måde og til andre formål end foreskrevet.

For at minimere risikoen må der kun bruges diamantslibeskiver af type 1 med en maksimal tykkelse på 3,2 mm, som kan betjenes sikkert med en minimumshastighed på 20.000 min-1. Slibeskiver af type 1 egner sig kun til sideslibning, ikke til planslibning. Bemærk alle sikkerhedsoplysninger, som leveres med skæreskiverne.

Brug den nedenstående oversigt for at vælge den passende slibeskive. Brug forskellige slibeskiver alt efter materiale. Bemærk slibeskiveproducentens brugshenvisninger.

Skivetyper	Til slibning af
Karbidslibeskiver	Gipskarton, fibercement, kunststof
Skæreskiver	Stål, rustfrit stål, ikke-jernholdige materialer
Diamantslibeskiver	Fliser, beton, mursten, keramik

CE-KONFORMITETSERKLÆRING

Vi erklærer som eneansvarlig, at det under „Tekniske data“ beskrevne produkt stemmer overens med alle relevante forskrifter, der følger af direktiv 2011/65/EU (RoHS), 2014/30/EU, 2006/42/EF samt af følgende harmoniserede normative dokumenter:

EN 60745-1:2009+A11:2010
EN 60745-2-22:2011+A11:2013
EN 55014-1:2017+A11:2020
EN 55014-2:2015
EN IEC 63000:2018

Winnenden, 2020-10-29

Alexander Krug

Alexander Krug
Managing Director



Autoriseret til at udarbejde de tekniske dokumenter.

Techtronic Industries GmbH
Max-Eyth-Straße 10
71364 Winnenden
Germany

AKKU

Langere tijd niet toegepaste wisselakku's vóór gebruik altijd naladen.

Een temperatuur boven de 50°C vermindert de capaciteit van de accu. Langdurige verwarming door zon of hitte vermijden.

De aansluitkontakten aan het laadapparaat en de accu schoonhouden.

Voor een optimale levensduur moeten de accu's na het gebruik volledig opgeladen worden.

Voor een zo lang mogelijke levensduur van de accu's dienen deze na het opladen uit het laadtoestel te worden verwijderd.

Bij een langere opslag van de accu dan 30 dagen: accu bij ca. 27 °C droog bewaren. accu bij ca. 30 % - 50 % van de laadtoestand bewaren. accu om de 6 maanden opnieuw opladen.

OVERBELASTNINGSSIKRING FOR BATTERI

Akkupack'en er udstyret med en overbelastningssikring, som beskytter akkumulatorbatteriet mod overbelastning og sikrer en høj levetid. Ved ekstrem kraftig belastning kobler batteriets elektronik automatisk maskinen fra. Sluk og tænd maskinen igen for at genoptage driften. Går maskinen ikke i gang igen, er akkupack'en muligvis afladt og skal genoplades i ladeaggregatet.

TRANSPORT AF LITHIUM-BATTERIER

Lithium-batterier er omfattet af lovgivningen om transport af farligt gods.

Transporten af disse batterier skal ske under overholdelse af lokale, nationale og internationale regler og bestemmelser.

- Forbrugere må transportere disse batterier på veje uden yderligere krav.
- Den kommercielle transport af lithium-batterier ved speditjonsfirmaer er omfattet af reglerne for transport af farligt gods. Forberedelsen af forsendelse og transport må kun udføres af tilsvarende trænedte personer. Den samlede proces skal følges af fagfolk.

Følgende punkter skal overholdes ved transport af batterier:

- Sørg for at kontakterne er beskyttet og isoleret for at forhindre kortslutninger.

- Sørg for at batteripakken ikke kan bevæge sig inden for emballagen.
- Beskadigede eller lækkende batterier må ikke transporteres.

Kontakt dit speditjonsfirma for at få yderligere oplysninger.

VEDLIGEHODELSE

Hold altid maskinens ventilationsåbninger rene.

Husk at afbryde værktøjet fra strømforsyningen inden montering eller udtagning af savklingen.

Rengør maskinen og beskyttelsesudstyret med en tør klud. Nogle rengøringsmidler beskadiger plast eller andre isolerede dele. Maskinen skal holdes ren og tør samt fri for olie og fedt, der er løbet ud. Tjek beskyttelsesskærmens funktion. Regelmæssig vedligeholdelse og rengøring sørger for en lang holdbarhed og en sikker håndtering.

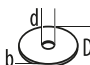
Brug kun Milwaukee.-tilbehør og Milwaukee.-reserverede. Komponenter, hvor udskiftningsproceduren ikke er beskrevet, skal skiftes ud hos et Milwaukee.-servicested (se brochure garanti/kundeserviceadresser).

Hvis det er nødvendigt, kan der bestilles en sprængskitse af værktøjet. Angiv herved venligst maskintypen samt det seksificerede nummer på mærkepladen og bestil tegningen hos din lokale kundeserviceafdeling eller direkte hos Techtronic Industries GmbH, Max-Eyth-Straße 10, 71364 Winnenden, Tyskland.

SYMBOLER

	VIGTIGT! ADVARSEL! FARE!
	Ved arbejde inden i maskinen, bør batteriet tages ud.
	Læs brugsanvisningen nøje før ibrugtagning.
	Brug beskyttelseshandsker!
	Brug høreværn!
	Når der arbejdes med maskinen, skal man have beskyttelsesbriller på. Benyt egnet åndedrætsværn.
	Tilbehør - Ikke inkluderet i leveringsomfanget, køb købes som tilbehør.
	Elektrisk udstyr eller (genopladelige) batterier må ikke bortskaffes sammen med det almindelige husholdningsaffald. Elektrisk udstyr og genopladelige batterier skal indsamles særskilt og afleveres hos en genbrugsvirksomhed til en miljømæssig forsvarlig bortskaffelse. Spørg de lokale myndigheder eller din forhandler om genbrugsstationer og indsamlingssteder til sådant affald.

	Europæisk konformitetsmærke
	Britisk konformitetsmærke
	Ukrainsk konformitetsmærke
	Eurasisk konformitetsmærke

TEKNISKE DATA	KAPPEMASKINE	M12 FCOT
Produksjonsnummer.....	4679 85 02...	..000001-999999
Nominelt turtall.....	20000 min ⁻¹	
	D=kappeskiver-ø 76 mm d=hull-ø 10 mm b=Tykkelse av kappeskiver min. / maks 1 mm / 3,2 mm	
Kuttedybde	16,3 mm	
Skjærebredde	min. 1 mm / max. 3,2 mm	
Spenningsvekselbatteri	12 V	
Vekt i henhold til EPTA-Proseduren 01/2014 (6,0 Ah)	1,3 kg	
Anbefalt omgivelsestemperatur under arbeid	-18...+50 °C	
Anbefalte batterityper	M12B2...M12B6	
Anbefalte ladere	C12C,M12C4, M12-18AC,M12-18C, M12-18C3, M12-18FC,...	

Støy/Vibrasjonsinformasjon (skjære betong)

Måleverdier fastslått i samsvar med EN 60 745.
Det A-bedømte lydnivået til maskinen er:
Lydtryknivå (Usikkerhet K=3dB(A))..... 105 dB (A)
Lydeffektnivå (Usikkerhet K=3dB(A)) 94 dB (A)

Bruk hørselsvern!

Totale svingningsverdier (vektorsum fra tre retninger) beregnet jf. EN 60745.

Svingningsemissionsverdi a_{h,SG} 2,9 m/s²
Usikkerhet K= 1,5 m/s²

ADVARSEL

Svingningsnivået som er angitt i denne instruksjonen er målt i overensstemmelse med målemetoden normert i direktiv EN 60745 og kan brukes til å sammenligne elektromaskiner med hverandre. Den egner seg også for en foreløbig vurdering av svingningsbelastningen.

Det angitte svingningsnivået representerer de hovedsaklige bruk av elektroverktøyet. Men anvendes elektroverktøyet for andre bruk med avvikende utskiftbare verkøy eller vedlikeholdet er utilstrekkelig, kan svingningsnivået være avvikende.

Dette kan forhøye svingningsbelastning betydelig over hele arbeidsperioden. For en nøyaktig vurdering av svingningsbelastningen må også det tas hensyn til tiden apparatet er avslått eller står på, men ikke er i bruk. Dette kan redusere svingningsbelastningen betydelig over hele arbeidsperioden.

Innfør også ekstra sikkerhetstiltak for å beskytte bruker mot utvirkingen av svingningene. Disse kan f.eks. være: vedlikehold av elektroverktøyet og det utskiftbare verkøyet, holde hendene varme, organisasjon av arbeidsforløpet.

A OBS! Les alle sikkerhetsinstruksjoner og bruksanvisninger. Feil ved overholdelsen av advarslene og nedenstående anvisninger kan medføre elektriske støt, brann og/eller alvorlige skader.
Ta godt vare på alle advarslene og informasjonene.

A SIKKERHETS INSTRUKSJONER FOR SIRKELSAGER

a) Beskyttelseshetten som tilhører elektroverktøyet skal monteres og innstilles slik at et maksimum av sikkerhet oppnås, dvs at en så liten del som mulig av slipekroppen blir vist åpent til bruker. Still deg selv og alle personer i nærheten utenfor flaten til den roterende slipeskiven. Beskyttelseshetten skal beskytte bruker mot avbrevte deler og tilfeldig kontakt med slipekroppen.

b) Bruk kun bundne forsterkede eller diamantbesatte kappeskiver for ditt elektroverktøy. Bare fordi at du kan feste tilbehøret på elektroverktøyet ditt, garanterer ingen sikker bruk av dette.

c) Det tillatte omdreiningsstallet til elektroverktøyet må være minst så høyt som det maksimale omdreiningsstallet som er oppgitt på elektroverktøyet. Tilbehør som dreier seg raskere enn tillatt kan brette og slynges rundt.

d) Slipeskiver må kun brukes til anbefalt type bruk. F. eks.: Ikke slip med sideflaten til en kappeskive. Kappeskiver er beregnet til materialfjerning med kanten på skiven. Innvirking av krefter fra siden kan føre til at slipeskivene brekker.

e) Bruk alltid uskadede spenneflenser i riktig størrelse for den valgte kappeskiven. Egnede flenser støtter kappeskiven og reduserer faren for at kappeskiven brekker.

f) Ikke bruk slitte slipeskiver fra større elektroverktøy. Slipeskiver for større elektroverktøy er ikke beregnet til de høyere turtall på mindre elektroverktøy og kan brette.

g) Det ytre tverrsnittet og tykkelsen til verkøyet som benyttes må overholde målene til elektroverktøyet ditt. Verkøy som er målt feil kan ikke avskjermes eller kontrolleres riktig.

h) Slipeskiver og flenser må passe helt nøyaktig på slipespindelen til ditt elektroverktøy. Isettingsverktøy som ikke passer helt nøyaktig på slipespindelen til elektroverktøyet dreier seg ujevnt, vibrerer sterkt og kan derfor føre til at man mister kontrollen.

i) Bruk aldri ødelagte slipeskiver. Kontroller før hver bruk slipeskivene på avspilting og risser. Hvis elektroverktøyet eller slipeskiven faller ned, så kontroller om det er skadet eller bruk en hel slipeskive. Når slipeskiven er kontrollert og isatt, så pass på å holde deg selv og andre utenfor flaten til den roterende slipeskiven og la apparatet gå i et minutt på maksimalt omdreiningsstall. Skadete slipeskiver brekker som oftest i denne testperioden.

j) Bruk personlig beskyttelsesutstyr. Avhengig av typen bruk må du bruke visir, øyebeskyttelse eller vernebriller. Om nødvendig må du bruke støvmaske, hørselsvern, vernehansker eller spesialfôrle som holder små slipe- og materialpartikler unna kroppen din. Øynene bør beskyttes mot fremmedlegemer som kan fly rundt ved visse typer bruk. Støv- eller pustevernmasker må filtrere den typen støv som oppstår ved denne bruken. Hvis du er utsatt for sterk støv over lengre tid, kan du miste hørselen.

k) Pass på at andre personer holder seg på sikker avstand fra arbeidsområdet ditt. Enhver person som går inn i arbeidsområdet må ha på seg personlig verneutstyr. Deler av

arbeidsstykker eller verktøy som har brukket kan slynges rundt og forårsake skader utenfor det direkte arbeidsområdet.

l) Hold apparatet i de isolerte holdeflatene, når det arbeides på steder hvor elektroverktøyet kan treffe skjulte strømledninger eller verkøyet egen kabel. Kontakt med en ledning som er under spennning, kan også sette metalldele til apparatet under spennning og føre til et elektrisk slag.

m) Hold strømledningen unna roterende innsatsverktøy. Hvis du mister kontrollen over elektroverktøyet kan strømledningen kappes eller komme inn i verkøyet, og hånden eller armen din kan komme inn i det roterende innsatsverktøyet.

n) Legg aldri fra deg elektroverktøyet før verkøyet har stanset helt. Det roterende verkøyet kan komme i kontakt med underlaget, noe som kan medføre at du mister kontrollen over elektroverktøyet.

o) La aldri elektroverktøyet være innkoblet mens du bærer det. Tøyet ditt kan komme inn i det roterende innsatsverktøyet hvis det tilfeldigvis kommer i kontakt med verkøyet og innsatsverktøyet kan da bore seg inn i kroppen din.

p) Rengjør ventilasjonsåpningene til elektroverktøyet med jevne mellomrom. Motorviften trekker støv inn i huset, og en stor oppsamling av metallstøv kan medføre elektrisk fare.

q) Ikke benytt elektroverktøyet i nærheten av brennbare materialer. Gnister kan antenne disse materialene.

r) Ikke bruk verkøy som krever flytende kjølemidler. Bruk av vann eller andre flytende kjølemidler kan medføre elektrisk støt.

Ytterligere sikkerhetsinstruksjoner for kapping

Tilbakeslag og respektive sikkerhetsinstruksjoner:

Tilbakeslag er en plutselig reaksjon på grunn av en hektende eller blokkerende dreiene slipeskive. En hekking eller blokkering fører til at det dreiene verkøyet stopper brått. Derved blir et ukontrollert elektroverktøy forsørt mot dreieretningen til det isatte verkøyet på det stedet hvor blokkeringen er.

Hvis f. eks. en slipeskive henger seg opp eller blokkerer i arbeidsstykket, kan kanten på slipeskiven som dykker inn i arbeidsstykket, henge seg opp og slik brekker slipeskiven eller forårsaker et tilbakeslag. Slipeskiven beveger seg da mot eller bort fra brukeren, avhengig av skivens dreieretning på blokkeringsstedet. Slik kan slipeskiver også brette.

Et tilbakeslag er resultat av en gal eller feilaktig bruk av elektroverktøyet. Det kan unngås ved å følge egnede sikkerhetstiltak som beskrevet nedenstående.

a) Hold elektroverktøyet godt fast og plasser kroppen og armene dine i en stilling som kan ta imot tilbakeslagskrefter. Bruk alltid ekstrahåndtaket – hvis dette finnes – for å ha størst mulig kontroll over tilbakeslagskrefter eller reaksjonsmomenter ved oppkjøring. Brukeren kan beherske tilbakeslags- og reaksjonsmomenter med egnede tiltak.

b) Hold aldri hånden i nærheten av det roterende innsatsverktøyet. Innsatsverktøyet kan bevege seg over hånden din ved tilbakeslag.

c) Unngå området foran og bak den roterende kappeskiven. Et tilbakeslag driver elektroverktøyet i motsatt retning til retningen slipeskiven beveger seg på det stedet det blokkeres.

d) Vær spesielt forsiktig i hjørner, på skarpe kanter osv. Du må forhindre at innsatsverktøy avpelles fra arbeidsstykket eller klemmes fast. Det roterende innsatsverktøyet har en tendens til å klemmes fast i hjørner, på skarpe kanter eller hvis det avpelles. Dette forårsaker kontrolltap eller tilbakeslag.

e) Bruk ingen kjedeskiver eller tannhjul sagblad og heller ikke segmenterte diamantskiver med mer enn 10 mm brede splitter. Slike isatte verkøy forårsaker ofte et tilbakeslag eller tap av kontrollen over elektroverktøyet.

f) Unngå blokkering av kappeskiven eller for sterk presstrykk. Ikke utfør for dype snitt. En overbelastning av kappeskiven øker slitasjen og tendensen til fastkiling eller blok-

kering og dermed også muligheten til tilbakeslag eller brudd på slipeskiven.

g) Hvis kappeskiven blokkerer eller du avbryter arbeidet, slår du av elektroverktøyet og holder det rolig til skiven er stanset helt. Forsøk aldri å trekke den roterende kappeskiven ut av snittet, ellers kan det oppstå et tilbakeslag. Finn og fjern årsaken til blokkeringen.

h) Ikke start elektroverktøyet igjen så lenge det befinner seg i arbeidsstykket. La kappeskiven oppnå det maksimale turtallet før du fortsetter forsiktig med snittet. Ellers kan skiven henge seg opp, springe ut av arbeidsstykket eller forårsake tilbakeslag.

i) Støtt plater eller store arbeidsstykker for å redusere risikoen for tilbakeslag fra en fastklemt kappeskive. Store arbeidsstykker kan bøyes av sin egen vekt. Arbeidsstykket må støttes på begge sider, både nær kappesnittet og på kanten.

j) Vær spesielt forsiktig ved «innrykingsnitt» i vegger eller andre uoversiktelige områder. Den inntrengende kappeskiven kan treffe på gass- eller vannledninger, elektriske ledninger eller gjenstander som kan forårsake tilbakeslag.

FORMÅLSMESSIG BRUK

Dette avskjæringsverktøyet er ment å brukes til å kutte forskjellige materialer.

Dette apparatet må kun brukes til de oppgitte formål.

For å redusere faren for personskade, må du bare bruke diamantslipeskiver av type 1 med en maksimal tykkelse på 3,2 mm. Denne kan du drive trygt med et minsteturtall på 20 000 min⁻¹. Slipeskiver av type 1 egner seg bare til sidesliping, men ikke til plansliping. Overhold alle sikkerhetsinstruksjoner som leveres sammen med skjæreslipeskivene.

Bruk oversikten ved siden av som hjelp til å velge den passende slipeskiven. Avhengig av materialet skal det brukes forskjellige slipeskiver. Overhold bruksanvisningen fra produsenten av slipeskiven.

Skivetype	Til sliping av
Karbidslipeskiver	Gipskartong, fibersement, plást
Skjæreslipeskive	Stål, rustfritt stål, ikke-jernholdige materialer
Diamantslipeskiver	Fliser, betong, murstein, keramikk

CE-SAMSVARERKLÆRING

Vi erklærer i alene ansvar at produktet beskrevet i „Teknisk data“ overensstemmer med alle relevante forskrifter til Eu direktiv 2011/65/EU (RoHS), 2014/30/EU, 2006/42/EF og de følgende harmoniserte normative dokumentene.

EN 60745-1:2009+A11:2010
EN 60745-2-22:2011+A11:2013
EN 55014-1:2017+A11:2020
EN 55014-2:2015
EN IEC 63000:2018

Winnenden, 2020-10-29



Alexander Krug
Managing Director



Autorisert til å utarbeide den tekniske dokumentasjonen
Techronic Industries GmbH
Max-Eyth-Straße 10
71364 Winnenden
Germany

BATTERIER

Vekselbatterier som ikke er brukt over lengre tid skal etterlades før bruk.

En temperatur over 50°C reduserer vekselbatteriets kapasitet. Unngå oppvarming i sol eller ved varmeovner (fyring) i lengre tid.

Hold tilkoplingskontaktene på lader og vekselbatteri rene.

For en optimal levetid må batteriene etter bruk ladet helt opp.

For å sikre en lengst mulig brukstid av batteriene skal disse etter oppladning taes ut av laderen.

Ved lagring av batteriene lengre enn 30 dager:

Lagre batteriet tørt ved ca. 27°C.

Lagre batteriet ved en oppladningstilstand på ca. 30%-50%.

Lade opp batteriet igjen etter 6 måneder.

OVERBELASTNINGSVERN FOR OPPLADBARE BATTERIER

Batteripakken er utstyrt med overbelastningsvern som beskytter det oppladbare batteriet mot overbelastning og sikrer en lang levetid.

Ved ekstrem høy belastning kobler maskinens batterielektronikk seg automatisk ut. For å fortsette å arbeide må maskinen slås av og så på igjen. Starter maskinen ikke igjen er batteripakken muligens utladet og må lades opp igjen i laderen.

TRANSPORT AV LITIUUM-ION-BATTERI

Litium-ion-batterier faller under de lovfestede forskriftene om transport av farlig gods.

Transporten av disse batteriene må rette seg etter lokale, nasjonale og internasjonale forskrifter og bestemmelser.

- Forbruker har lov å transportere disse batteriene på gaten uten reglementering.
- Den kommersielle transport av Litium-ion-batterier av spedisjonsfirma faller under bestemmelsene om transport av farlig gods. Forberedningene av forsendelsen og transport skal utelukkende gjennomføres av personer som har blitt skolert til dette. Hele prosessen skal følges opp av fagfolk.

Følgende punkter skal tas hensyn til ved transport:

- Kontroller at kontaktene er beskyttet og isolert for å unngå kortslutninger.
- Pass på at batteripakken i forpakningen ikke kan skli fram og tilbake.
- Skadede eller batterier som lekker er det ikke lov å transportere.

Ta kontakt med spedisjonsfirma for ytterlige henvisninger.

VEDLIKEHOLD

Hold alltid luftenåpningene på maskinen rene.

Vær sikker på at støpslet er trukket ut av strømkontakten før det demonteres eller monteres sagblad.

Rengjør apparatet og verneinnretningen med en tørr klut. Noen rensedmidler skader plastikken eller andre isolerte deler. Hold apparatet rent, tørt og fritt for oljen og fett som skilles ut. Kontroller funksjonen til vernehettene. Regelmessig vedlikehold og rengjøring sørger for lang levetid og sikker håndtering.

Bruk kun Milwaukee tilbehør og Milwaukee reservedeler. Komponenter der utskiftning ikke er beskrevet skal skiftes ut hos Milwaukee kundeservice (se brosjyre garanti/ kundeserviceadresser).

Ved behov kan det fås en eksplosjonstegning av apparatet hos kundeservice eller direkte hos Techtronic Industries GmbH, Max-Eyth-Straße 10, 71364 Winnenden, Germany ved angivelse av maskinens type og det sekstallige nummeret på maskinens skilt.

SYMBOLER



OBS! ADVARSEL! FARE!



Ta ut vekselbatteriet før du arbeider på maskinen



Les nøye gjennom bruksanvisningen før maskinen tas i bruk.



Bruk vernehansker !



Bruk hørselsvern!



Bruk alltid vernebrille når du arbeider med maskinen.
Bruk derfor vernemaske som er egnet for støv.



Tilbehør - inngår ikke i leveransen, anbefalt komplettering fra tilbehørsprogrammet.



Elektriske apparater, batterier/oppladbare batterier skal ikke kastes sammen med vanlig husholdningsavfall. Elektriske og elektroniske apparater og oppladbare batterier skal samles separat og leveres til miljøvennlig deponering hos en avfallsbedrift. Informer deg hos myndighetene på stedet eller hos din fagforhandler hvor det finnes recycling bedrifter og oppsamlingssteder.



Europeisk samsvarsmerke



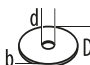
Britisk samsvarsmerke



Ukrainsk samsvarsmerke



Euroasiatisk samsvarsmerke

TEKNISKA DATA	KAPMASKINEN	M12 FCOT
Produktionsnummer	4679 85 02...	..000001-999999
Märkvarvtal	20000 min ⁻¹	
	D=kapskiva ø	76 mm
	d=ø hål	10 mm
	b=Kapskivstjocklek min. / max.	1 mm / 3,2 mm
Sågdjup	16,3 mm	
Skårbredd	min. 1 mm / max. 3,2 mm	
Batterispänning	12 V	
Vikt enligt EPTA 01/2014 (6.0 Ah)	1,3 kg	
Rekommenderad omgivningstemperatur vid arbete:	-18...+50 °C	
Rekommenderade batterityper	M12B2...M12B6	
Rekommenderade laddare	C12C,M12C4, M12-18AC,M12-18C, M12-18C3, M12-18FC,....	

Buller-/vibrationsinformation (kapa betong)

Mätvärdena har tagits fram baserade på EN 60 745.

A-värdet av maskinens ljudtrycksnivå är

Ljudtrycksnivå (Onoggrannhet K=3dB(A))..... 105 dB (A)

Ljudeffektsnivå (Onoggrannhet K=3dB(A))..... 94 dB (A)

Använd hörselskydd!

Totala vibrationsvärden (vektorsumma ur tre riktningar)

framtaget enligt EN 60745.

Vibrationsemissionsvärde a_{h,sg}..... 2,9 m/s²

Onoggrannhet K=..... 1,5 m/s²

WARNING

Den i de här anvisningarna angivna vibrationsnivån har uppmätts enligt ett i EN 60745 normerat mätförfarande och kan användas vid jämförelse mellan olika elverktyg. Nivån är även lämplig att använda vid en preliminär bedömning av vibrationsbelastningen.

Den angivna vibrationsnivån representerar den huvudsakliga användningen av det aktuella elverktyget. Men om elverktyget ska användas i andra användningsområden, tillsammans med avvikande insatsverktyg eller efter otillräckligt underhåll, kan vibrationsnivån skilja sig. Det kan öka vibrationsbelastningen betydligt under hela arbetstiden.

För att få en exaktare bedömning av vibrationsbelastningen ska även den tid beaktas, under vilken elverktyget är avstängt eller är påslaget, utan att det verkligen används. Det kan reducera vibrationsbelastningen betydligt under hela arbetstiden.

Lägg som skydd för användaren fast extra säkerhetsåtgärder mot vibrationernas verkan, som till exempel: underhåll av elverktyg och insatsverktyg, varmhållning av händer och organisering av arbetsförlopp.

! WARNING! Läs all säkerhetsinformation och alla anvisningar.

Fel som uppstår till följd av att anvisningarna nedan inte följts kan orsaka elstöt, brand och/eller allvarliga kroppsskador.

Förvara alla varningar och anvisningar för framtida bruk.

! SÄKERHETSANVISNINGAR FÖR CIRKELSÄGAR

a) Skyddskåpan som hör till elverktyget ska vara säkert monterad och så inställd, att man har maximal säkerhet, d.v.s. en så liten del av slipkroppen som möjligt ska öppet visa mot användaren. Se till att du själv och andra personer i närheten befinner sig utanför området där slipskivan roterar. Skyddskåpan ska skydda användaren mot delar som lossnar och mot oavsiktlig kontakt med slipkroppen.

b) Använd endast kapskivor med latent förstärkning eller med diamanbeläggning för ditt elverktyg. Bara för att det går att fästa en tillbehörsdel på ditt elverktyg innebär det inte att användningen är säker.

c) Det tillåtna varvtalet för insatsverktyget måste minst vara så högt som angivet högsta varvtal på elektroverktyget. Tillbehör som roterar snabbare än tillåtet, kan gå sönder och flyga omkring.

d) Slipkroppar får användas endast för rekommenderade arbeten. T. ex.: Slipa aldrig med kapskivans sidoyta. Kapskivor är avsedda för materialavverkning med skivans kant. Om tryck från sidan utövas mot slipkroppen kan den spricka.

e) Använd alltid felfria spännflänsar i rätt storlek för den valda kapskivan. Lämpliga flänsar stöder kapskivan och minskar risken för brott av kapskivan.

f) Använd inte nedslitna slipskivor från större elverktyg. Slipskivor för större elverktyg är inte konstruerade för de mindre elverktygens högre varvtal och kan därför spricka.

g) Insatsverktygets ytterdiameter och tjocklek ska överensstämma med måttuppgifterna för elverktyget. Ett felaktigt dimensionerat insatsverktyg kan inte avskäras eller kontrolleras i tillräcklig utsträckning.

h) Slipskivor och flänsar måste passa exakt på slispindelns på ditt elverktyg. Insatsverktyg som inte passar exakt på elverktygets slispindel roterar ojämnt, viberar mycket kraftigt och kan leda till att man förlorar kontrollen över elverktyget.

i) Använd inga slipskivor som är skadade på något sätt. Kontrollera innan varje användning om slipskivan är skadad eller har sprickor. Om elverktyget eller slipskivan skulle falla ner är det viktigt att kontrollera att varken verktyget eller slipskivan har tagit skada eller använd direkt en slipskiva som helt säkert inte är skadad. När du har kontrollerat slipskivan och satt fast den är det viktigt att se till att du själv och andra personer i närheten befinner sig utanför området där slipskivan roterar och låt sedan verktyget gå i en minut med max. varvtal. Skadade slipskivor går i regel sönder under denna testtid.

j) Använd personlig skyddsutrustning. Använd alltefter avsett arbete ansiktsskärm, ögonskydd eller skyddsglasögon. Om så behövs, använd dammfiltermask, hörselskydd, skyddshandskar eller skyddsförkläde som

skyddar mot små utslungade slip- och materialpartiklar. Ögonen ska skyddas mot utslungade främmande partiklar som kan uppstå under arbetet. Damm- och andningsskydd måste kunna filtrera bort det damm som eventuellt uppstår under arbetet. Risk finns för hörselskada under en längre tids kraftigt buller.

k) Se till att andra personer håller ett säkert avstånd till ditt arbetsområde. Alla som närmar sig arbetsområdet måste bära personlig skyddsutrustning. Brottstycken från verktyget eller brutna insatsverktyg kan flyga iväg och orsaka personsador även utanför arbetsområdet.

l) Håll fast apparaten med hjälp av de isolerade grepppyrtorna när du utför arbeten där elverktyget skulle kunna träffa på dolda elledningar eller kablar. Om man kommer i kontakt med en spänningsförande ledning, så kan även de delar på verktyget som är av metall bli spänningsförande och leda till att man får en elektrisk stöt.

m) Håll nätsladden på avstånd från roterande insatsverktyg. Om du förlorar kontrollen över elverktyget kan nätsladden kappas eller dras in varvid risk finns för att din hand eller arm dras mot det roterande insatsverktyget.

n) Lägg aldrig ifrån dig elverktyget förrän insatsverktyget är helt stillastående. Det roterande insatsverktyget kan komma i kontakt med underlaget och du kan då förlora kontrollen över elverktyget.

o) Elverktyget får inte rotera när det bärs. Kläder kan vid tillfällig kontakt med det roterande insatsverktyget dras in varvid insatsverktyget dras mot din kropp.

p) Rengör regelbundet elverktygets ventilationsöppningar. Motorfläkten drar in damm i huset och en kraftig anhopning av metalldamm kan orsaka farliga elströmmar.

q) Använd aldrig elverktyget i närheten av brännbara material. Gnistor kan antända detta material.

r) Använd inte insatsverktyg som kräver kylvätska. Användningen av vatten eller andra flytande kylmedel kan leda till elektriska stötar.

Ytterligare säkerhetsanvisningar för användningen av kapskivor

Bakslag och motsvarande säkerhetsanvisningar

Ett kraftigt bakslag är en plötslig reaktion om en roterande slipskiva har kommit i kläm. Detta leder till att det roterande insatsverktyget stoppar omedelbart, vilket i sin tur leder till elverktyget som man då inte längre har under kontroll accelererar mot insatsverktygets rotationsriktning på stället där det har kommit i kläm.

Om t. ex. en slipskiva hakar upp sig eller blockerar i arbetsstycket kan slipskivans kant i arbetsstycket klämmas fast varvid slipskivan bryts sönder eller orsakar bakslag. Slipskivan rör sig nu mot eller bort från användaren beroende på skivans rotationsriktning vid inklämningsstället. Härvid kan slivskivor även brista.

Bakslag uppstår till följd av missbruk eller felaktig hantering av elverktyget. Detta kan undvikas genom skyddsåtgärder som beskrivs nedan.

a) Håll stadigt i elverktyget samt kroppen och armarna i ett läge som är lämpligt för att motstå bakslagskrafter. Använd alltid stödhandtaget för bästa möjliga kontroll av bakslagskrafter och reaktionsmoment vid start. Användaren kan genom lämpliga försiktighetsåtgärder bättre behärska bakslags- och reaktionskrafterna.

b) Håll alltid handen på betryggande avstånd från det roterande insatsverktyget. Insatsverktyget kan vid ett bakslag gå mot din hand.

c) Undvik att uppehålla dig i området framför och bakom den roterande kapskivan. Elverktygets bakslag gör att det rör sig i motsatt riktning till slipskivans rörelseriktning på stället där verktyget har kommit i kläm.

d) Var särskilt försiktig vid bearbetning av hörn, skarpa kanter osv. Håll emot så att insatsverktyget inte studsar

ut från arbetsstycket eller kommer i kläm. På hörn, skarpa kanter eller vid studsning tenderar det roterande insatsverktyget att komma i kläm. Detta kan leda till att kontrollen förloras eller att bakslag uppstår.

e) Använd inget kedjesågblad eller sågblad med kuggar och ingen segmenterad diamanstskiva med spår som är mer än 10 mm breda. Sådana insatsverktyg leder ofta till bakslag eller till att man förlorar kontrollen över elverktyget.

f) Se till att kapskivan inte kommer i kläm och att den inte utsätts för högt mottryck. Försök inte skära för djupt. Om kapskivan överbelastas ökar dess påfrestning och risk finns för att den snedvrids eller blockerar som sedan kan resultera i bakslag eller slippkroppsbrott.

g) Om kapskivan kommer i kläm eller arbetet avbryts, koppla från elverktyget och håll det lugnt tills skivan stannat fullständigt. Försök aldrig dra ut en roterande kapskiva ur skärspåret då detta kan leda till bakslag. Lokalisera och åtgärda orsaken för inklämning.

h) Koppla inte åter på elverktyget om det sitter i arbetsstycket. Låt kapskivan öppna fullt varvtal innan den försiktigt förs in i skärspåret för fortsatt kapning. I annat fall kan skivan haka upp sig, hoppa ur arbetsstycket eller orsaka bakslag.

i) För att reducera risken för ett bakslag till följd av inklämd kapskiva ska skivor och andra stora arbetsstycken stödas. Stora arbetsstycken kan böjas ut till följd av hög egenvikt. Arbetsstycket måste därför stödas på båda sidorna både i närheten av skärspåret och vid kanten.

j) Var speciellt försiktig vid "fickkapning" i dolda områden som t. ex. i en färdig vägg. Där risk finns att kapskivan kommer i kontakt med gas- eller vattenledningar, elledningar eller andra föremål som kan orsaka bakslag.

ÖVRIGA SÄKERHETS- OCH ANVÄNDNINGSSINSTRUKTIONER

Det tillåtna varvtalet för insatsverktyget måste minst vara så högt som angivet högsta varvtal på elektroverktyget. Tillbehör som roterar snabbare än tillåtet, kan gå sönder och flyga omkring.

Använd skyddsutrustning. Använd alltid skyddsglasögon när du använder maskinen. Som skyddsutrustning rekommenderar vi t. ex. en dammskyddsmask, skyddshandskar, stabila och halksäkra skor, hjälm och hörselskydd.

WARNING För att minska risken för personsador vid arbeten med kraftig dammutveckling rekommenderar vi att en Milwaukee dammpussningslösning används enligt den respektive bruksanvisningen.

Det damm som bildas under arbetets gång är ofta hälsofarligt och det ska inte komma in i kroppen. Bär därför lämplig skyddsmask.

Det är inte tillåtet att bearbeta material som kan vara hälsooväldigt (t.ex. asbest).

Stång av maskinen omedelbart om ett verktyg som används sitter fast! Sätt sedan inte på maskinen igen så länge som verktyget som används fortfarande sitter fast; risk för okontrollerade slag med högt reaktionsmoment. Ta reda på orsaken varför verktyget fastnade och åtgärda orsaken med hänsyn till säkerhetsanvisningarna.

Möjliga orsaker kan vara:

- Verktyget sitter snett i arbetsstycket
- Verktyget går igenom materialet som bearbetas
- Elverktyget är överbelastat

Gå aldrig med händerna in i en maskin som är igång.

Verktyget som används kan bli mycket varmt under användningen.

- vid verktygsbyte
- när man lägger ifrån sig maskinen

Vid arbetenborring i vägg, tak eller golv, var alltid observant på befintliga el-, gas- eller vattenledningar.

Drag ur batteripaket innan arbete utföres på maskinen.

Kasta inte förbrukade batterier. Lämna dem till Milwaukee Tools för återvinning.

Förvara ej batteriet ihop med metallföremål, kortslutning kan uppstå.

System M12 batterier laddas endast i System M12 laddare. Ladda inte batterier från andra system.

Batterier lagras torrt och skyddas för fukt.

Under extrem belastning eller extrem temperatur kan batterivätska tränga ut ur skadade utbytesbatterier. Vid beröring med batterivätska tvätta genast av med vatten och tvål. Vid ögonkontakt spola genast i minst 10 minuter och kontakta genast läkare.

Varning! För att undvika den fara för brand, personsador eller produktsador som orsakas av en kortslutning, doppa inte ner verktyget, utbytesbatteriet eller laddaren i vätskor och se till att ingen vätska kan tränga in i apparaterna eller batterierna. Korroderande eller ledande vätskor, som saltvatten, vissa kemikalier, blekningsmedel eller produkter som innehåller blekmedel, kan orsaka en kortslutning.

ANVÄND MASKINEN ENLIGT ANVISNINGARNA

Detta skärverktyg är avsett att användas för att skära olika material.

Maskinen får endast användas för angiven tillämpning.

För att minimera risken för personsador, använd bara diamantslippskivor av Typ 1 med en maximal tjocklek på 3,2 mm, vilka kan drivas säkert med ett minsta varvtal på 20 000 min⁻¹. Slippskivor av Typ 1 är bara lämpliga för kantslipning, inte för yt slipning. Observera alla säkerhetsanvisningar som levereras tillsammans med kapningsskivor.

Använd översikten nedan för att välja passande slippskiva. Beroende på material ska olika slippskivor användas. Observera bruksanvisningen från slippskivans tillverkare.

Skivtyp	För slipning av
Karbidslippskiva	Gipskartong, fibercement, plast
Kapningsslippskiva	Stål rostfritt stål, icke järnhaltiga material
Diamantslippskiva	Klinker, betong, tegelsten, keramik

CE-FÖRSÄKRAN

Vi intygar och ansvarar för att den produkt som beskrivs under „Tekniska data“ överensstämmer med alla relevanta bestämmelser i direktiv 2011/65/EU (RoHS), 2014/30/EU, 2006/42/EG och följande harmoniserade normerande dokument:

EN 60745-1:2009+A11:2010
EN 60745-2-22:2011+A11:2013
EN 55014-1:2017+A11:2020
EN 55014-2:2015
EN IEC 63000:2018

Winnenden, 2020-10-29



Alexander Krug
Managing Director



Befullmäktigad att sammanställa teknisk dokumentation.

Techtronic Industries GmbH
Max-Eyth-Straße 10
71364 Winnenden
Germany

BATTERIER

Batteri som ej använts på länge måste laddas före nytt bruk.

En temperatur över 50°C reducerar batteriets effekt. Undvik längre uppvärmning tex i solen eller nära ett element.

Se till att anslutningskontaktarna i laddaren och på batteriet är rena.

För en optimal livslängd ska batterierna laddas helt igen efter användningen.

För att få en så lång livslängs som möjligt bör laddningsbara batterier avlägsnas från laddaren när de är laddade.

Om laddningsbara batterier lagras längre än 30 dagar: Lagra batteriet torrt och vid ca 27°C. Lagra batteriet vid ca 30%-50% av laddningskapaciteten. Ladda batterierna på nytt var 6:e månad.

BATTERI-ÖVERBELASTNINGSSKYDD

Batteripaketet är utrustat med ett överlastskydd som skyddar batteriet mot överbelastning och därmed säkerställer en lång livslängd.

Vid extremt stark belastning stänger batterielektroniken av maskinen automatiskt. Stäng först av och slå sedan på maskinen igen för att fortsätta att arbeta. Skulle maskinen inte starta igen, är batteripaketet kanske urladdat och måste på laddas upp igen i laddaren.

TRANSPORTERA LITIJON-BATTERIER

För litiumjon-batterier gäller de lagliga föreskrifterna för transport av farligt gods på väg.

Därför får dessa batterier endast transporteras enligt gällande lokala, nationella och internationella föreskrifter och bestämmelser.

- Konsumenter får transportera dessa batterier på allmän väg utan att behöva beakta särskilda föreskrifter.
- För kommersiell transport av litiumjon-batterier genom en speditiönsfirma gäller emellertid bestämmelserna för transport av farligt gods på väg. Endast personal som känner till alla tillämpliga föreskrifter och bestämmelser får förbereda och genomföra transporten. Hela processen ska följas upp på fackmässigt sätt.

Följande ska beaktas i samband med transporten av batterier:

- Säkerställ att alla kontakter är skyddade och isolerade för att undvika kortslutning.
- Se till att batteripacken inte kan glida fram och tillbaka i förpackningen.
- Transportera aldrig batterier som läcker, har runnit ut eller är skadade.

För mer information vänligen kontakta din speditiönsfirma.

SKÖTSEL

Se till att motorhöljets luftslitsar är rena.

Koppla alltid bort verktyget från eluttaget innan du sätter dit eller tar bort sågklingan.







Rengör både verktyget och skyddsanordningen med en torr trasa. En del rengöringsmedel skadar plastmaterialet eller andra isolerade delar på verktyget. Se till att verktyget alltid är rent och torrt samt fri från olja eller fett. Kontrollera alltid skyddskåpans felfria funktion. Regelbundet underhåll och regelbunden rengöring är förutsättning för en lång livslängd och säker användning.

Använd endast Milwaukee.-tillbehör och Milwaukee.- reservdelar. Komponenter, för vilka inget byte beskrivs, skall bytas ut hos Milwaukee.-kundtjänst (se broschyren garanti-/kundtjänstadresser).

Vid behov kan du rekvidera apparatens sprängskiss antingen hos kundservicen eller direkt hos Techtronic Industries GmbH, Max-Eyth-Straße 10, 71364 Winnenden,

Germany. Du ska då ange maskintypen och numret på sex siffror som står på effektskylten.

SYMBOLER

	OBSERVERA! VARNING! FARA!
	Drag ur batteripaket innan arbete utföres på maskinen.
	Läs instruktionen noga innan du startar maskinen.
	Bär skyddshandskar!
	Använd hörselskydd!
	Använd alltid skyddsglasögon. Bär därför lämplig skyddsmask.
	Tillbehör - Ingår ej i leveransomfånget, erhålles som tillbehör.
	Elektriska maskiner, batterier/uppladdningsbara batterier och får inte slängas tillsammans med de vanliga hushållssoporna. Elektriska maskiner och uppladdningsbara batterier ka samlas separat och lämnas till en avfallsstation för miljövänlig avfallshantering. Kontakta den lokala myndigheten respektive kommunen eller fråga återförsäljare var det finns speciella avfallsstationer för elkrot.
	Europeiskt konformitetsmärke
	Britiskt konformitetsmärke
	Ukrainskt konformitetsmärke
	Euroasiatiskt konformitetsmärke

Tuotantonumero	4679 85 02...
	...000001-999999
Nimellinen kierrosliku	20000 min ⁻¹



Leikkaussyvytydet	16,3 mm
Jyrsintäleveys	min. 1 mm / max. 3,2 mm
Jännite vaihtoakku	12 V
Paino EPTA-menettelyn 01/2014 mukaan (6,0 Ah)	1,3 kg
Suosittelun ympäristön lämpötila työn aikana	-18...+50 °C
Suosittelut akkutyytit	M12B2...M12B6
Suosittelut latauslaitteet	C12C,M12C4, M12-18AC,M12-18C, M12-18C3, M12-18FC,...

Melunpäästö-/färinätiedot (betonin leikkaaminen)
 Mitta-arvot määritetty EN 60 745 mukaan.
 Yleensä työkalun A-luokan melutaso
 Melutaso (Epävarmuus K=3dB(A))..... 105 dB (A)
 Äänenvoimakkuus (Epävarmuus K=3dB(A))..... 94 dB (A)
Käytä kuulosuojaimia!

Värähtelyn yhteisarvot (kolmen suunnan vektorisumma) mitattuna EN 60745 mukaan.	
Värähtelyemissioarvo a _{n,SC}	2,9 m/s ²
Epävarmuus K=	1,5 m/s ²

VAROITUS

Näissä ohjeissa mainittu värähtelytaso on mitattu EN 60745 -standardin mukaisella mittausmenetelmällä ja sitä voidaan käyttää sähkötyökalujen vertaamiseen. Sitä voidaan käyttää myös värähtelyrasituksen väliaikaiseen arviointiin.

Mainittu värähtelytaso edustaa sähkötyökalun pääasiallista käyttöä. Jos sähkötyökalua kuitenkin käytetään muihin tehtäviin, poikkeavin työkaluin tai riittämättömästi huoltaen, värähtelytaso voi olla erilainen. Se voi korottaa värähtelyrasitusta koko työajan osalta.

Tarkan värähtelyrasituksen toteamiseen tulee ottaa huomioon aika, jona laite on kytketty pois tai on kyläkin päällä, mutta ei käytössä. Se voi pienentää värähtelyrasitusta koko työajan osalta.

Määrittele lisäturvatoimenpiteitä käyttäjän suojaamiseksi värinöiden vaikutukselta, kuten esimerkiksi: sähkötyökalujen ja käyttötyökalujen huolto, käsien lämpimän pitäminen, työvaiheiden organisaatio.

VAROITUS! Lue kaikki turvallisuusmääräykset ja ohjeet.

Turvallisuusohjeiden noudattamisen laiminlyönti saattaa johtaa sähköiskuun, tulipaloon ja/tai vakavaan loukkaantumiseen.
Säilytä kaikki turvallisuus- ja muut ohjeet tulevaisuutta varten.

VAROITUS! PYÖRÖSAHOJEN TURVALLISUUSMÄÄRÄYKSET

- a) Sähkötyökaluun kuuluva suojakupu tulee kiinnittää pitävästi ja säätää se niin, että saavutetaan suurin mahdollinen turvallisuus, ts. vain pienin mahdollinen katkaisuvälineen osa näyttää suojaamatta käyttäjään. Pysyttele itse ja pidä muut lähitöillä olevat henkilöt pyörivän katkaisulaikan tason ulkopuolella. Suojakupun tulee suojata käyttäjää hiomavälineen palasilta ja satunnaiselta kontaktilta siihen.
- b) Käytä tässä sähkötyökalussa ainoastaan sidottuja vahvistettuja tai timanttiarmeeraus katkaisulaikkoja. Se, että voit kiinnittää varusteen sähkötyökaluusi, ei takaa sen turvallista käyttöä.
- c) Käyttötyökalun sallitun kierrosluvun täytyy olla vähintään yhtä korkea kuin sähkötyökalulla ilmoitettu korkein kierrosliku. Sallittua nopeammin pyörivät lisävarusteet voivat rikkoutua ja lentää ympäriinsä.
- d) Hiomatyökaluja saa käyttää ainoastaan siihen käyttöön mihin niitä suositellaan. Esim.: Älä koskaan hio hiomalaikan sivupintaa käyttäen. Hiomalaikat on tarkoitettu hiontaan laikan ulkokehällä. Sivuttain kohdistuva voima saattaa murtaa hiomalaikan.
- e) Käytä aina vahingoittumattomia oikean kokoisia kiristyslaippoja vaihtesellesi katkaisulaikalle. Sopivat laipat tukevat katkaisulaikkaa ja vähentävät siten katkaisulaikan murtumisvaaraa.

- f) Älä käytä isompiin sähkötyökaluihin kuuluneita kulu-neita hiomalaikkoja. Suurempien sähkötyökalujen hiomalaikat eivät sovellu pienempien sähkötyökalujen suuremmille kierros-luvuille, ja ne voivat murtua.
- g) Käyttötyökalun ulkohalkaisijan ja paksuuden täytyy vastata sähkötyökalun mittatietoja. Väärin mitoitettuja käyt-tötyökaluja ei voida suojata tai kontrolloida riittävästi.
- h) Hiomalaikkojen ja laipan tulee sopia tarkalleen sähkö-työkalusi karaan. Vaihtotyökalut, jotka eivät sovi tarkalleen sähkötyökalun hiomakaraan, pyörivät epäkokoisesti, tärisivät voimakkaasti ja saattavat aiheuttaa hallinnan menetyksen.
- i) Älä käytä vahingoittuneita hiomalaikkoja. Tarkasta ennen joka käyttöä, ettei hiomalaikoissa ole lohkeamia tai repeämiä. Jos sähkötyökalu tai hiomalaikka pääsee putoamaan, tarkasta, onko se vahingoittunut, tai käytä va-hingoittumatonta hiomalaikkaa. Kun olet tarkastanut hio-malaikan ja pannut sen paikalleen, pysytle lähellä olevien henkilöiden kera pyörivän hiomalaikan tason ulkopuolella ja anna laitteen käydä minuutin ajan suurimmalla kierros-luvulla. Vahingoittuneet hiomalaikat särkyvät useimmiten tämän koestusajan kuluessa.
- j) Käytä henkilökohtaisia suojavarusteita. Käytä käytöstä riippuen kokokasvonaamiota, silmäsuojusta tai suojalase-ja. Jos mahdollista, käytä pölynaamaria, kuulonsuojainta, suojakäsineitä tai erikoissuojavaatteita, joka suojaa sinut pieniltä hioma- ja materiaalihiukkasilta. Silmät tulee suojata lenteleviltä vierailta esineiltä, jotka saattavat syntyä erilaisessa käytössä. Pöly- tai hengityssuojanaamareiden täytyy suodattaa pois työstössä syntyvä pöly. Jos olet pitkäään alltiina voimak-kaalle melulle, saattaa se vaikuttaa heikentävästi kuuloon.
- k) Huolehdi siitä, että muut henkilöt ovat turvallisen välimatkan päässä työalueestasi. Jokaisen, joka astuu työalueelle, täytyy käyttää henkilökohtaisia suojavarustuk-

sia. Työstettävän kappaleen tai rikkoutuneiden käyttötyökalujen irtonaiset palat voivat lentää ympäriinsä ja aiheuttaa loukkaan-tumisia myös varsinaisen työalueen ulkopuolella.

l) Pitele laitetta vain eristetyistä tarttumapinoista, kun suoritat sellaisia töitä, joissa leikkaustyökalu saattaa osua piilossa oleviin sähköjohtoihin tai omaan liitäntäjohtoon. Leikkaustyökalun yhteys jännitteelliseen johtoon saattaa tehdä katkaistuksi tai tarttua kiinni ja vetää kätesi tai käsivartesi kiinni pyörivään vaihtotyökaluun.

m) Pidä verkkojohto poissa pyörivistä vaihtotyökaluista. Jos menätät sähkötyökalun hallinnan, saattaa verkkojohto tulla katkaistuksi tai tarttua kiinni ja vetää kätesi tai käsivartesi kiinni pyörivään vaihtotyökaluun.

n) Älä koskaan laske sähkötyökalua pois, ennen kuin käyttötyökalu on pysähtynyt täydellisesti. Pyörivä käyttötyö-kalu voi joutua kosketuksiin laskeutumispinnan kanssa, minkä seurauksena voit menettää sähkötyökalun hallinnan.

o) Älä koskaan pidä sähkötyökalua käynnissä sitä ka-taessaasi. Vaatteesi voi hetkellisen kosketuksen seurauksena tarttua kiinni pyörivään vaihtotyökaluun, joka saattaa porautua kehoosi.

p) Puhdista sähkötyökalusi tuuletusaukot säännöllisesti. Moottorin tuuletin imee pölyä työkalun koteloon, ja voimakas metallipölyn kasautuma voi synnyttää sähköisiä vaaratilanteita.

q) Älä käytä sähkötyökalua helposti palavien materiaalien läheisyydessä. Kipinat voivat sytyttää nämä materiaalit.

r) Älä ota käyttöön työkaluja, jotka vaativat nestemäisiä jäähdytysaineita. Veden tai muiden nestemäisten jäähdytysai-neiden käytöstä voi olla seurauksena sähköisku.

Katkaisuhiomasovellusten täydentävät turvallisuusohjeet

Takaisku ja vastaavat turvaohjeet

Takaisku on kiinnitarttuvan tai juuttuneen pyörivän hiomalaikan äkillinen reaktio. Kiinnitarttuminen tai juuttuminen aiheuttaa pyörivän vaihtotyökalun äkillisen pysähtymisen. Tästä aiheutuu hallitsemattoman sähkötyökalun kiertyminen juuttumiskohdalla liitetyn työkalun kiertosuunnan vastaiseen suuntaan.

Jos esim. hiomalaikka tarttuu tai joutuu puristukseen työkalupaleeseen, saattaa hiomalaikan reuna, joka on uponnut työkalupaleeseen, juuttua kiinni aiheuttaen hiomalaikan ponnahduksen ulos työkalupaleesta tai aiheuttaa takaiskun. Hiomalaikka liikkuu silloin käyttävää henkilöä vasten tai pois päin hänestä, riippuen laikan kiertosuunnasta tarttumakohdassa. Tällöin hiomalaikka voi myös murtua.

Takaisku johtuu sähkötyökalun väärinkäytöstä tai käytöstä väärään tarkoitukseen. Se voidaan estää sopivin varotoimin, joita selostetaan seuraavassa.

- a) **Pitele sähkötyökalua tukevasti ja saata kehosi ja käsivartesi asentoon, jossa pystyt vastaamaan takaisku-voimiin.** Käytä aina lisäkahvaa, jos sinulla on sellainen, jotta pystyisit parhaalla mahdollisella tavalla hallitsemaan takaiskuvoimia tai vastamomentteja työkalun ryntökäyn-nissä. Käyttävä henkilö pystyy hallitsemaan takaisku ja vasta-momenttivoimat noudattamalla sopivia suoja-toimenpiteitä.
- b) **Älä koskaan tuo kättäsi lähelle pyörivää vaihtotyökalua.** Vaihtotyökalu saattaa takaiskun sattuessa liikkua kätesi yli.
- c) **Vältä aluetta pyörivän katkaisulaikan edessä ja takana.** Takapotku painaa sähkötyökalua vastapäiseen suuntaan kuin hiomalaikan liike juuttumiskohdassa.
- d) **Työskentele erityisen varovasti kulmien, terävien reunojen jne. alueella, estä vaihtotyökalua ponnahtamasta takaisin työkalupaleesta ja juuttumasta kiinni.** Pyörivällä vaihtotyökalulla on taipumus juuttua kiinni kulmissa, terävissä reunoissa tai saadessaan kimmokkeen. Tämä johtaa hallinnan pettämiseen tai takaiskuun.
- e) **Älä käytä mitään ketju- tai hammastettua sahanterää tai mitään segmentoitua timanttilaikkaa, jonka raot ovat yli 10 mm leveät.** Nämä vaihtotyökalut aiheuttavat useasti takapotku-ja tai sähkötyökalun hallinnan menetyksen.
- f) **Vältä katkaisulaikan juuttumista kiinni ja liian suurta syöttöpainetta. Älä tee liian syviä leikkauksia.** Katkaisulai-

kan ylikuormitus kasvattaa sen rasitusta ja sen alltiutta kallistua tai juuttua kiinni ja siten takaiskun ja laikan murtumisen mahdollisuutta.

g) Jos katkaisulaikka joutuu puristukseen tai keskeytät työn, tulee sinun pysäyttää sähkötyökalu ja pitää se rauhallisesti paikoillaan, kunnes laikka on pysähtynyt. Älä koskaan koeta poistaa viulä pyörivää katkaisulaikkaa leikkauksesta, se saattaa aiheuttaa takaiskun. Määrittele ja poista puristukseen joutumisen syy.

h) Älä käynnistä sähkötyökalua uudelleen, jos laikka on kiinni työkalupaleessa. Anna katkaisulaikan ensin saa-vuttaa täysi kierroslukunsa, ennen kuin varovasta jatkat leikkausta. Muussa tapauksessa saattaa laikka tarttua kiinni, ponnahtaa ulos työkalupaleesta tai aiheuttaa takaiskun.

i) Tue litteät tai isot työkalupaleet, katkaisulaikan puristuk-sen aiheuttaman takaiskuvaran minimoimiseksi. Suuret työkalupaleet voivat taipua oman painonsa takia. Työkappaleelta tulee tukea molemmilta puolilta, sekä katkaisuleikkauksen vierestä, että reunoista.

j) Ole erityisen varovainen upotusleikkauksissa seiiniin tai muihin alueisiin, joiden taustaa tai rakennetta et pysty näkemään. Uupoa katkaisulaikka saattaa aiheuttaa takais-kun osuessaan kaasutai vesiputkiin, sähköjohtoihin tai muihin kohteisiin.

TÄYDENTÄVIÄ TURVALLISUUSMÄÄRÄYKSIÄ JA TYÖSKENTELYOHJEITA

Käyttötyökalun sallitun kierrosluvun täytyy olla vähintään yhtä korkea kuin sähkötyökalulla ilmoitettu korkein kierrosliku. Sallittua nopeammin pyörivät lisävarusteet voivat rikkoutua ja lentää ympäriinsä.

Käytä suojavarusteita. Käytä aina suojalaseja käyttäessäsi konetta. Suosittelemme suoja-varusteiden käyttöä, näihin kuuluvat pölysuojanaamari, työkäsineet, tukevat, luistamattomat jalkineet, kypärä ja kuulosuojukset.

VAROITUS Tapaturman vaaran vähentämiseksi töissä, joissa syntyy huomattavia pölymääriä, suosittelemme käyttämään Milwaukeeen pölynpoistomuratkaisua käyttöohjeen mukaisesti.

Koneen käytöstä aiheutuva pöly ja jäte voi olla haitallista terveydelle eikä sen vuoksi tulisi päästä kosketukseen ihon kanssa. Koneella työskennellessä on käytettävä sopivaa suoja-inta.

Terveydellisiä vaaroja aiheuttavien materiaalien (esim. asbestin) työstäminen on kielletty.

Jos käytetty työkalu juuttuu kiinni, sammuta laite heti! Älä kytke laitetta uudelleen päälle työkalun ollessa vielä kiinni juuttuneena, koska tästä saattaa aiheutua voimakas takaisku. Selvitä työkalun juuttumisen syy ja poista syy turvallisuuksmääräyksiä noudattaen.

- Mahdollisia syitä voivat olla:
- työkalun vinoutuminen työstökappaleessa
 - työstetyn materiaalin puhkaiseminen
 - sähkötyökalun ylikuormitus

Älä tartu käynnissä olevan koneen työosiin.
 Käytetty työkalu saattaa kuumeta käytön aikana.

- työkalua vaihdettaessa
- laitetta pois laskettaessa

Varo seinään, kattoon tai lattiaan porattaessa osumasta sähköjohtoon, kaasu- ja vesijohtoihin.

Ota akku pois ennen kaikkia koneeseen tehtäviä toimenpiteitä. Käytettyjä vaihtoakkuja ei saa polttaa eikä poistaa normaalin jätehuollon kautta. Milwaukeeella on tarjolla vanhoja vaihtoakkuja varten ympäristöystävällinen jätehuoltopalvelu.

Vaihtoakkuja ei saa säilyttää yhdessä metalliesineiden kanssa (oikosulkuvaara).

Käytä ainoastaan System M12 latauslaitetta System M12 akkujen lataukseen. Älä käytä muiden järjestelmien akkuja.

Vaihtoakkuja ja latauslaitteita ei saa avata. Säilytys vain kuivissa tiloissa. Suojattava kosteudelta.

Vaurioituneesta akusta saattaa erityisen kovassa käytössä tai poikkeavassa lämpötilassa vuotaa akkuhappoa. Ihonkohta, joka on joutunut kosketukseen akkuhapon kanssa on viipymättä pestävä vedellä ja saippualla. Silmä, johon on joutunut akkuhappoa, on huuhdeltava vedellä vähintään 10 minuutin ajan, jonka jälkeen on viipymättä hakeuduttava lääkärin apuun.

Varoitus! Jotta vältetään lyhytsulun aiheuttama tulipalon, loukkaantumisen tai tuotteen vahingoittumisen vaara, älä koskaan upota työkalua, vaihtoakkuja tai latauslaitetta nesteeseen ja huolehdi siitä, ettei mitään nesteitä pääse tunkeutumaan laitteiden tai akkujen sisään. Syövyttävät tai sähköä johtavat nesteet, kuten suolavesi, tietyt kemikaalit ja lalkaisuaineet tai valkaisuaineita sisältävät tuotteet voivat aiheuttaa lyhytsulun.

TARKOITUKSEN MUKAINEN KÄYTTÖ

Tätä katkaisutyökalua on tarkoitus käyttää erilaisten materiaalien leikkaamiseen.

Älä käytä tuotetta ohjeiden vastaisesti.

Tapaturmanvaaran minimoimiseksi käytä vain tyyppi 1 timanttihiomalaikkoja, joiden enimmäispaksuus on 3,2 mm ja joita voidaan käyttää turvallisesti vähintään 20 000 min-1 kierrosluvulla. Tyyppi 1 hiomalaikat soveltuvat vain otsahiontaan, eivät tasohiontaan. Noudata kaikkia katkaisuhiomalaikkojen mukana toimitettuja turvallisuusmääräyksiä.

Käytä seuraavaa yhteenvetoa valitessasi tehtävään sopivaa hiomalaikkaa. Materiaalista riippuen tulee käyttää eri hiomalaikkoja. Huomioi hiomalaikkojen valmistajan antamat käyttöohjeet.

Laikkatyyppi	Hiottava materiaali
Karbidihiomalaikar	Kipsipahvi, kuitusementti, muovi
Katkaisuhiomalaikat	Teräs, jaloteräs, ei-rautapitoiset materiaalit
Timanttihiomalaikat	Laatat, betoni, tiiliskivet, keramiikka

TODISTUS CE-STANDARDIN MUKAISUUDESTA

Vakuutamme yksinvastuullisesti, että kohdassa „Tekniset tiedot“ kuvattu tuote vastaa kaikkia sitä koskevia direktiivien 2011/65/EU (RoHS), 2014/30/EU, 2006/42/EY määräyksiä sekä seuraavia harmonisoituja standardisoivia asiakirjoja:

EN 60745-1:2009+A11:2010
EN 60745-2-22:2011+A11:2013
EN 55014-1:2017+A11:2020
EN 55014-2:2015
EN IEC 63000:2018

Winnenden, 2020-10-29



Alexander Krug
Managing Director



Valtuutettu kokoamaan tekniset dokumentit.

Techtronic Industries GmbH
Max-Eyth-Straße 10
71364 Winnenden
Germany

AKKU

Pitkään käyttämättä olleet vaihtoakut on ladattava ennen käyttöä.

Yli 50°C lämpötilassa akun suorituskyky heikkenee. Vältäthän akkujen säilyttämistä auringossa tai kuumissa tiloissa.

Pidä aina latauslaitteen ja akun kosketuspinnat puhtaina.

Akut on ladattava täyteen käytön jälkeen optimaalisen eliniän säilyttämiseksi.

Mahdollisimman pitkän elinajan takaamiseksi akut tulee poistaa laturista lataamisen jälkeen.

Akkuja yli 30 päivää säilytettyinä:
Säilytä akku yli 27 °C:ssa ja kuivassa.
Säilytä akku sen latauksen ollessa 30 % - 50 %.
Lataa akku 6 kuukauden välein uudelleen.

AKUN YLIKUORMITUSSUOJAUS

Akkusarja on varustettu ylikuormitussuojalla, joka suojaa akkua ylikuormitukselta ja varmistaa sen pitkän elinkaaren. Äärimmäisrasituksessa akkuelektronikka sammuttaa koneen automaattisesti. Työn jatkamiseksi kone kytketään pois ja sitten jälleen päälle. Jos kone ei käynnisty uudelleen, niin akkusarja saattaa olla tyhjentyneenä ja se täytyy ladata uudelleen latauslaitteella.

LITIUMI-IONI AKKUIEN KULJETTAMINEN

Litiumi-ioniakut kuuluvat vaarallisten aineiden kuljetuksesta annettujen lakien piiriin.

Näiden akkujen kuljettaminen täytyy suorittaa noudattaen paikallisia, kansallisia ja kansainvälisiä määräyksiä ja säädöksiä.

- Kuluttajat saavat ilman muuta kuljettaa näitä akkuja teitä pitkin.
- Kaupallisessa kuljetuksessa huolintaliikkeiden täytyy kuljettaa litiumi-ioniakkuja vaarallisten aineiden kuljetuksesta annettujen määräysten mukaisesti. Ainoastaan tähän vastaavasti koulutetut henkilöt saavat suorittaa kuljetuksen valmistelutoimet ja itse kuljetuksen. Koko prosessia tulee valvoa asiantuntevasti.

Seuraavat kohdat tulee huomioida akkuja kuljetettaessa:

- Varmista, että akkujen kontaktit on suojattu ja eristetty, jotta vältetään lyhytsulun.
- Huolehdi siitä, ettei akkusarja voi luiskahtaa paikaltaan pakkauksen sisällä.
- Vahingoittuneita tai vuotavia akkuja ei saa kuljettaa.

Pyydä tarkemmat tiedot huolintaliikkeeltäsi.

HUOLTO

Pidä moottorin ilmanottoaukut puhtaina.

Muista irrottaa laite virtalähteestä, ennen kuin kiinnität tai irrotat sahanterän.

Puhdista laite ja suojavarusteet kuivalla liinalla. Monet puhdistusaineet vahingoittavat muovia tai muita eristettyjä osia. Pidä laite puhtaana ja kuivana ja poista ulos valunut öljy tai rasva heti. Tarkasta suojakupujen toiminta. Säännöllinen huolto ja puhdistus varmistavat pitkän eliniän ja turvallisen käsittelyn.

Käytä ainoastaan Milwaukeee lisätarvikkeita ja Milwaukeee varaosia. Mikäli jokin komponentti, jota ei ole kuvailtu, tarvitsee vaihtoa ota yhteys johonkin Milwaukeee palvelupisteistä (kts. listamme takuuhuoltoilikkeiden/ palvelupisteiden osoitteista)

Tarvittaessa voit pyytää laitteen räjähdyssiirustuksen ilmoittamaan konetyypin ja tyyppikilvessä olevan kuusinumeroisen luvun huoltopalvelustasi tai suoraan osoitteella Techtronic Industries GmbH, Max-Eyth-Strasse 10, 71364 Winnenden, Saksa.

SYMBOLIT



HUOMIO! VAROITUS! VAARA!



Ota akku pois ennen kaikkia koneeseen tehtäviä toimenpiteitä.



Lue käyttöohjeet huolellisesti, ennen koneen käynnistämistä.



Käytä suojakäsineitä!



Käytä kuulosuojaimia!



Käytä laitteella työskennellessäsi aina suojalaseja.

Koneella työskennellessä on käytettävä sopivaa suojainta.



Lisälaite - Ei sisälly vakiovarustukseen, saatavana lisätarvikkeena.



Sähkölaitteita, paristoja/akkuja ei saa hävittää yhdessä kotitalousjätteiden kanssa. Sähkölaitteet ja akut tulee kerätä erikseen ja toimittaa kierrätysliikkeeseen ympäristöystävällistä hävittämistä varten. Pyydä paikallisilta viranomaisilta tai alan kauppiailta tarkemmat tiedot kierrätyspisteistä ja keräyspaikoista.



Euroopan säännönmukaisuusmerkki



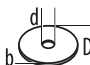
Britannian säännönmukaisuusmerkki



Ukrainan säännönmukaisuusmerkki



Euraasian säännönmukaisuusmerkki

ΤΕΧΝΙΚΑ ΣΤΟΙΧΕΙΑ	ΚΟΠΤΗΣ	M12 FCOT
Αριθμός παραγωγής.....	4679 85 02.....	...000001-999999
Ονομαστικός αριθμός στροφών	20000 min ⁻¹	
	D=Διάμετρος κοπής.....	76 mm
	d=διάμετρος οπής.....	10 mm
	b=Πάχος δίσκου κοπής ελάχιστος / μέγιστος.....	1 mm / 3,2 mm
Μέγιστο βάθος κοπής.....	16,3 mm	
Πλάτος τομής.....	min. 1 mm / max. 3,2 mm	
Τάση ανταλλακτικής μπαταρίας.....	12 V	
Βάρος σύμφωνα με τη διαδικασία EPTA 01/2014 (6,0 Ah).....	1,3 kg	
Συνιστώμενη θερμοκρασία περιβάλλοντος κατά την εργασία.....	-18...+50 °C	
Συνιστώμενοι τύποι συσσωρευτών.....	M12B2...M12B6	
Συνιστώμενες συσκευές φόρτισης.....	C12C,M12C4, M12-18AC,M12-18C, M12-18C3, M12-18FC,...	

Πληροφορίες θορύβου/δονήσεων (κοπή ακυροδεμάτος)

Τιμές μέτρησης εξακριβωμένες κατά EN 60 745.

Τυπική A αξιολογημένη στάθμη θορύβου:

Στάθμη ηχητικής πίεσης (Ανασφάλεια K=3dB(A))..... 105 dB (A)

Στάθμη ηχητικής ισχύος (Ανασφάλεια K=3dB(A))..... 94 dB (A)

Φοράτε προστασία ακοής (ωτασπίδες)!

Υλικές τιμές κραδασμών (άθροισμα διανυσμάτων τριών διευθύνσεων)

εξακριβώθηκαν σύμφωνα με τα πρότυπα EN 60745.

Τιμή εκπομπής δονήσεων a_{h,sg}..... 2,9 m/s²

Ανασφάλεια K=..... 1,5 m/s²

ΠΡΟΕΙΔΟΠΟΙΗΣΗ

Το αναφερόμενο σ' αυτές τις οδηγίες επίπεδο δονήσεων έχει μετρηθεί με μια τυποποιημένη σύμφωνα με το EN 60745 μέθοδο μέτρησης και μπορεί να χρησιμοποιηθεί για τη σύγκριση των ηλεκτρικών εργαλείων μεταξύ τους. Αυτό είναι επίσης κατάλληλο για μια προσωρινή εκτίμηση της επιβάρυνση των δονήσεων.

Το αναφερόμενο επίπεδο δονήσεων αντιπροσωπεύει τις κύριες χρήσεις του ηλεκτρικού εργαλείου. Εάν όμως το ηλεκτρικό χρησιμοποιείται σε άλλες χρήσεις, με διαφορετικά εργαλεία εφαρμογής ή ανεπαρκή συντήρηση, μπορεί να υπάρξει απόκλιση του επιπέδου δονήσεων. Αυτό μπορεί να αυξήσει σημαντικά την επιβάρυνση των δονήσεων για τη συνολική διάρκεια της εργασίας.

Για μια ακριβή εκτίμηση της επιβάρυνσης των δονήσεων οφείλουν επίσης να λαμβάνονται υπόψη οι χρόνοι, στους οποίους η συσκευή είναι απενεργοποιημένη ή είναι μεν ενεργοποιημένη αλλά δεν χρησιμοποιείται πραγματικά. Αυτό μπορεί να μειώσει σημαντικά την επιβάρυνση των δονήσεων για τη συνολική διάρκεια της εργασίας.

Καθορίζετε πρόσθετα μέτρα ασφαλείας για την προστασία του χειριστή από την επίδραση των δονήσεων όπως για παράδειγμα:

Συντήρηση του ηλεκτρικού εργαλείου και των εργαλείων εφαρμογής, διατηρείτε ζεστά τα χέρια, οργάνωση των διαδικασιών εργασίας.

⚠ ΠΡΟΣΟΧΗ! Διαβάστε όλες τις οδηγίες ασφαλείας και τις οδηγίες χρήσεως. Αμέλειες κατά την τήρηση των προειδοποιητικών υποδείξεων μπορεί να προκαλέσουν ηλεκτροπληξία, κίνδυνο πυρκαγιάς ή/και σοβαρούς τραυματισμούς. Φυλάξτε όλες τις προειδοποιητικές υποδείξεις και οδηγίες για κάθε μελλοντική χρήση.

⚠ ΥΠΟΔΕΙΞΕΙΣ ΑΣΦΑΛΕΙΑΣ ΓΙΑ ΔΙΣΚΟΠΡΙΟΝΑ.

a) Η προστατευτική καλύπτρα που διανέμεται με το ηλεκτρικό εργαλείο πρέπει να στερεωθεί πάνω σ' αυτό και να τοποθετηθεί με τρόπο που να παρέχει την μέγιστη δυνατή προστασία, δηλ. ο χειριστής να είναι όσο το δυνατόν λιγότερο εκτεθειμένος μπροστά στον δίσκο λείανσης. Παραμείνετε και κρατήστε τα άκρα που βρίσκονται κοντά στο ηλεκτρικό εργαλείο μακριά από την περιοχή του περιστρεφόμενου δίσκου λείανσης. Η προστατευτική καλύπτρα προστατεύει τον χειριστή από ρινίσματα και ακούσια επαφή με το λειαντικό σώμα.

b) Χρησιμοποιείτε αποκλειστικά συγκολλημένους ενισχυμένους δίσκους κοπής ή διαμαντόδίσκους κοπής για το ηλεκτρικό εργαλείο σας. Το γεγονός ότι μπορείτε να σταθεροποιήσετε τα εξαρτήματα στο ηλεκτρικό εργαλείο σας δεν εγγυάται ασφαλή χρήση.

c) Ο επιτρεπτός αριθμός στροφών του ανταλλακτικού εξαρτήματος πρέπει να είναι τουλάχιστον τόσο υψηλός όσο ο μέγιστος αριθμός στροφών που αναφέρεται επάνω στο ηλεκτρικό εργαλείο. Εξαρτήματα τα οποία περιστρέφονται με ταχύτητα μεγαλύτερη από την επιτρεπτή, ενδέχεται να σπάσουν και να εκσφενδονιστούν.

d) Τα λειαντικά σώματα πρέπει να χρησιμοποιούνται μόνο για τις εργασίες που αυτά προβλέπονται. Μην λειαίνετε ποτέ με την πλευρική επιφάνεια ενός δίσκου κοπής. Οι δίσκοι κοπής

προορίζονται για αφαίρεση υλικού μόνο με την ακμή τους. Αυτά τα λειαντικά σώματα μπορεί να σπάσουν όταν υποστούν πίεση από τα πλάγια.

e) Χρησιμοποιείτε πάντοτε άθικτες φλάντζες στερέωσης με το σωστό μέγεθος για το δίσκο κοπής, τον οποίο έχετε επιλέξει. Η κατάλληλη φλάντζα στηρίζει το δίσκο κοπής, μειώνοντας έτσι τον κίνδυνο σπασίματός του.

f) Να μη χρησιμοποιείτε μεταχειρισμένους δίσκους λείανσης από μεγαλύτερα λειαντικά εργαλεία. Δίσκοι λείανσης για μεγαλύτερα λειαντικά εργαλεία δεν είναι κατάλληλοι για τους υψηλότερους αριθμούς στροφών των μικρότερων ηλεκτρικών εργαλείων και γι' αυτό μπορεί να σπάσουν.

g) Η εξωτερική διάμετρος και το πάχος των ανταλλακτικών εξαρτήματος πρέπει να ανταποκρίνονται στις διαστάσεις του ηλεκτρικού σας εργαλείου. Ανταλλακτικά εξαρτήματα με εσφαλμένες διαστάσεις δε μπορούν να καλυφθούν ή να ελεγχθούν επαρκώς.

h) Οι δίσκοι λείανσης και η φλάντζα πρέπει να ταιριάζουν στο άξονα λείανσης του ηλεκτρικού εργαλείου σας. Ανταλλακτικά εξαρτήματα που δεν ταιριάζουν στον άξονα λείανσης του ηλεκτρικού εργαλείου περιστρέφονται ασύμμετρα, δονούνται υπερβολικά έντονα και μπορούν να οδηγήσουν στην απώλεια του ελέγχου του μηχανήματος.

i) Μη χρησιμοποιείτε χαλασμένους δίσκους λείανσης. Ελέγξτε πριν από κάθε χρήση τους δίσκους λείανσης να μην είναι σπασμένοι ή ραγισμένοι. Σε περίπτωση που το ηλεκτρικό εργαλείο ή ο δίσκος λείανσης πέσουν, ελέγξτε για βλάβες και χρησιμοποιήστε δίσκο λείανσης που δεν έχει υποστεί βλάβη. Αφού ελέγξετε και τοποθετήσετε τον δίσκο λείανσης, απομακρυνθείτε και κρατήστε τα άκρα που βρίσκονται κοντά στο ηλεκτρικό εργαλείο μακριά από την

περιοχή του περιστρεφόμενου δίσκου λείανσης αφήνοντας το μηχανήμα ενεργοποιημένο στο μέγιστο αριθμό στροφών για ένα λεπτό. Δίσκοι λείανσης που έχουν υποστεί βλάβη σπάνε ως επί το πλείστον σε αυτό το χρόνο δοκιμής.

j) Να φοράτε πάντοτε τη δική σας, ατομική προστατευτική ενδυμασία. Να χρησιμοποιείτε επίσης, ανάλογα με την εκάστοτε εργασία που εκτελείτε, προστατευτικές μάσκες, προστατευτικές διατάξεις ματιών ή προστατευτικά γυαλιά. Αν χρειαστεί, φορέστε και μάσκα προστασίας από σκόνη, ωτασπίδες προστατευτικά γάντια ή μια ειδική προστατευτική ποδιά, που θα σας προστατεύει από τυχόν εκσφενδονιζόμενα λειαντικά σωματίδια ή θραύσματα υλικού. Τα μάτια πρέπει να προστατεύονται από τυχόν αιωρούμενα σωματίδια που μπορεί δημιουργηθούν κατά την εκτέλεση των διάφορων εργασιών. Οι αναπνευστικές και οι προστατευτικές μάσκες πρέπει να φιλτράρουν τον αέρα και να συγκρατούν τη σκόνη που δημιουργείται κατά την εργασία. Σε περίπτωση που εκτεθείτε για πολύ χρόνο σε ισχυρό θόρυβο μπορεί να απωλέσετε την ακοή σας.

k) Φροντίζετε, τυχόν παρευρισκόμενα άτομα να βρίσκονται πάντοτε σε ασφαλή απόσταση από το χώρο εργασίας σας. Κάθε άτομο που εισέρχεται στο χώρο εργασίας σας πρέπει να φορά ατομικό προστατευτικό εξοπλισμό. Θραύσματα του υπό καταργασία τεμαχίου ή σπασμένων ανταλλακτικών εξαρτημάτων μπορεί να εκσφενδονιστούν και να προκαλέσουν τραυματισμούς ακόμη κι εκτός του άμεσου χώρου εργασίας.

l) Να πιάνετε τη συσκευή στις μονωμένες χειρολαβές όταν εκτελείτε εργασίες κατά τις οποίες τα κοπτικά εργαλεία θα μπορούσαν να πέσουν επάνω σε κρυμμένα καλώδια ρεύματος ή στο δικό της καλώδιο. Η επαφή των κοπτικών εργαλείων με αγνώστους προφοδισίας τάσης μπορεί να θέσει τα μεταλλικά τμήματα της συσκευής υπ' όταση και να προκαλέσει ηλεκτροπληξία.

m) Να κρατάτε και να οδηγείτε το ηλεκτρικό καλώδιο σε ασφαλή απόσταση από τα περιστρεφόμενα εργαλεία. Σε περίπτωση που χάσετε τον έλεγχο του ηλεκτρικού εργαλείου το ηλεκτρικό καλώδιο μπορεί να κοπεί ή να περιπλεχτεί και το χέρι σας ή το μπράτσο σας να τραβηχτεί επάνω στο περιστρεφόμενο εργαλείο.

n) Μην αποθέτετε το ηλεκτρικό εργαλείο ποτέ, προτού το ανταλλακτικό εξάρτημα ακινητοποιηθεί πλήρως. Το περιστρεφόμενο ανταλλακτικό εξάρτημα μπορεί να έρθει σε επαφή με την επιφάνεια απόθεσης με αποτέλεσμα να χάσετε τον έλεγχο του.

o) Μην αφήσετε ο ηλεκτρικό εργαλείο να εργάζεται όταν το μεταφέρετε. Τα ρούχα σας μπορεί να τυλιχτούν τυχαίως στο περιστρεφόμενο εργαλείο κι αυτό να τρυπήσει το σώμα σας.

p) Να καθαρίζετε τακτικά τις σχισμές αερισμού του ηλεκτρικού εργαλείου σας. Η περπατή του κινητήρα τραβάει σκόνη μέσα στο περίβλημα και η συσσώρευση μεταλλικής σκόνης μπορεί να δημιουργήσει ηλεκτρικούς κινδύνους.

q) Μη χρησιμοποιείτε το ηλεκτρικό εργαλείο κοντά σε εύφλεκτα υλικά. Τυχόν σπινές ενδέχεται να προκαλέσουν την ανάφλεξη των υλικών αυτών.

r) Μη χρησιμοποιείτε ανταλλακτικά εξαρτήματα τα οποία απαιτούν ψυκτικά υγρά. Η χρήση νερού ή άλλων ψυκτικών υγρών μπορεί να προκαλέσει ηλεκτροπληξία.

Περαιτέρω οδηγίες ασφαλείας για χρήση των δίσκων κοπής και λείανσης

Κλόσημα και σχετικές υποδείξεις ασφαλείας

Κλόσημα είναι η ξαφνική αντίδραση ως επακόλουθο γαντζωμένου ή μπλοκαρισμένου περιστρεφόμενου δίσκου λείανσης. Το γαντζώμα ή το μπλοκάρισμα οδηγούν σε αιφνίδιο σταμάτημα του περιστρεφόμενου ανταλλακτικού εξαρτήματος. Αυτό έχει ως αποτέλεσμα το ανεξέλεγκτο ηλεκτρικό εργαλείο στην εστία του μπλοκαρισματος να κατευθυνθεί αντίστροφα προς τη φορά περιστροφής του ανταλλακτικού εξαρτήματος .

Όταν π. χ. ένας δίσκος κοπής σφηνώσει ή μπλοκάρει μέσα στο υπό καταργασία υλικό, τότε η ακμή του δίσκου που βυθίζεται μέσα στο υλικό μπορεί να στρεβλώσει και ακολούθως ο δίσκος κοπής να πεταχτεί με ορμή και ανεξέλεγκτα από το υλικό ή να προκαλέσει κλόσημα. Όταν συμβεί αυτό ο δίσκος κοπής κινείται με

κατεύθυνση προς το χειριστή/τη χειρίστρια ή και αντίθετα, ανάλογα με τη φορά περιστροφής στο σημείο μπλοκαρισματος. Σε τέτοιες περιπτώσεις δεν αποκλείεται ακόμη και το σπάσιμο των δίσκων κοπής.

Το κλόσημα είναι το αποτέλεσμα ενός εσφαλμένου ή ελλιπούς χειρισμού του ηλεκτρικού εργαλείου και μπορεί να αποφευχθεί με λήψη κατάλληλων προληπτικών μέτρων, σαν αυτά που περιγράφονται παρακάτω.

a) Να κρατάτε το ηλεκτρικό εργαλείο πάντοτε καλά και να παίρνετε με το σώμα σας μόνο θέσεις, στις οποίες θα μπορούσε να αντιμετωπίσετε επιτυχώς ένα ενδεδειγμένο κλόσημα. Να χρησιμοποιείτε πάντοτε την πρόσθετη λαβή, αν αυτή φυσικά υπάρχει, για να εξασφαλίσετε επί το μέγιστο δυνατό έλεγχο του ηλεκτρικού εργαλείου σε περίπτωση εμφάνισης αναστροφών και αντίρροπων δυνάμεων (π. χ. κλόσημα) κατά την εκκίνηση. Ο χειριστής/η χειρίστρια μπορεί να αντιμετωπίσει με επιτυχία τα κλόσημα και τις ανάστροφες ροπές.

b) Μη βάζετε ποτέ τα χέρια σας κοντά στα περιστρεφόμενα εργαλεία. Σε περίπτωση κλόσηματος το εργαλείο μπορεί να περάσει πάνω από το χέρι σας.

c) Αποφύγετε την περιοχή μπροστά και πίσω από τον περιστρεφόμενο τροχό κοπής. Το κλόσημα ωθεί το ηλεκτρικό εργαλείο στην εστία του μπλοκαρισματος σε κατεύθυνση αντίθετη από τη κίνηση του δίσκου λείανσης.

d) Να εργάζεσθε με ιδιαίτερη προσοχή σε γωνίες, κοφτερές ακμές κτλ. Φροντίζετε, το λειαντικό εργαλείο να μην αναπναιχτεί έξω από το υπό καταργασία υλικό και να μη σφηνώσει σ' αυτό. Το περιστρεφόμενο λειαντικό εργαλείο σφηνώνει εύκολα κατά την εργασία σε γωνίες και σε κοφτερές ακμές ή όταν εκτινάσσεται. Αυτό προκαλεί κλόσημα ή απώλεια του ελέγχου.

e) Μην χρησιμοποιείτε αλυσιδωτές ή οδοντωτές λάμες πριονιού όπως και κατατεθειμένους δίσκους διαμαντιού με διάκενο μεγαλύτερο των 10 mm. Αυτού του είδους τα ανταλλακτικά εξαρτήματα προκαλούν συχνά κλόσημα και οδηγούν στην απώλεια ελέγχου του ηλεκτρικού εργαλείου.

f) Να αποφεύγετε το μπλοκάρισμα των δίσκων κοπής και/ή την άσκηση πολύ υψηλής πίεσης. Να μη διεξάγετε τομές υπερβολικού βάθους. Η υπερβολική επιβάρυνση του δίσκου κοπής αυξάνει τη μηχανική παραμόρφωση του και τον κίνδυνο στρέβλωσης κι έτσι και τις πιθανότητες κλόσηματος ή σπασίματος του λειαντικού σώματος.

g) Όταν ο δίσκος κοπής μπλοκάρει ή όταν διακόπτετε την εργασία σας πρέπει να θέσετε το ηλεκτρικό εργαλείο εκτός λειτουργίας και ακολούθως να το κρατάτε ήρεμα μέχρι ο δίσκος κοπής να σταματήσει εντελώς να κινείται. Μην προσπαθήσετε ποτέ να βγάλετε το δίσκο κοπής από το υλικό όταν αυτός κινείται ακόμη, διαφορετικά υπάρχει κίνδυνος κλόσηματος. Εξακριβώστε κι εξουδετερώστε την αιτία του μπλοκαρισματος.

h) Μη θέσετε το ηλεκτρικό εργαλείο πάλι σε λειτουργία όσο ο δίσκος κοπής βρίσκεται ακόμη μέσα στο υπό καταργασία τεμάχιο. Αφήστε το δίσκο κοπής να αποκτήσει το μέγιστο αριθμό στροφών πριν συνεχίσετε προσεκτικά την κοπή. Διαφορετικά ο δίσκος μπορεί να σφηνώσει, να πεταχτεί με ορμή έξω από το υπό καταργασία υλικό ή να προκαλέσει κλόσημα.

i) Πλάκες, ή άλλα μεγάλα υπό καταργασία τεμάχια, πρέπει να υποστηρίχονται για να ελαττωθεί ο κίνδυνος κλόσηματος από έναν τυχόν μπλοκαρισμένο δίσκο κοπής. Μεγάλα υπό καταργασία τεμάχια μπορεί να λυγίσουν κάτω από το ίδιο τους το βάρος. Το υπό καταργασία τεμάχιο πρέπει να υποστηριχτεί και στις δυο πλευρές του, και κοντά στην τομή κοπής και στην ακμή του.

j) Να είστε ιδιαίτερα προσεκτικοί/προσεκτικές όταν διεξάγετε «κοπές βυθίσματος» σε τοίχους ή άλλους μη εμποτισμένους τομείς. Ο βυθιζόμενος δίσκος κοπής μπορεί να κόψει σωληνες φωταερίου (γκάζου) ή νερού, ηλεκτρικές γραμμές ή αντικείμενα που μπορεί να προκαλέσουν κλόσημα.

ΠΕΡΑΙΤΕΡΟ ΟΔΗΓΙΕΣ ΑΣΦΑΛΕΙΑΣ ΚΑΙ ΧΡΗΣΕΩΣ

Ο επιπρεπτός αριθμός στροφών των ανταλλακτικών εξαρτήματος πρέπει να είναι τουλάχιστον τόσο υψηλός όσο ο μέγιστος αριθμός στροφών που αναφέρεται επάνω στο ηλεκτρικό εργαλείο. Εξαρτήματα τα οποία περιτρέφονται με ταχύτητα μεγαλύτερη από την επιτρεπτή, ενδέχεται να σπασούν και να εκσφενδονιστούν.

Χρησιμοποιείτε προστατευτικό εξοπλισμό. Κατά την εργασία με τη μηχανή φοράτε πάντα προστατευτικά γυαλιά. Συνιστούμε επίσης προστατευτική ενδυμασία όπως επίσης μάσκα προστασίας αναπνοής, προστατευτικά γάντια, σταθερά και ασφαλή στην ολίσηση υποδήματα, κράνος και ωτασπίδες.

ΠΡΟΕΙΔΟΠΟΙΗΣΗ Για τη μείωση του κινδύνου τραυματισμού κατά τις εργασίες, κατά τις οποίες προκύπτει πολύ σκόνη, συνιστούμε τη χρήση ενός αναρροφητή σκόνης της Milwaukee σύμφωνα με τις οδηγίες χειρισμού.

Η σκόνη που δημιουργείται κατά την εργασία είναι συχνά επιβλαβής για την υγεία και δεν επιτρέπεται να έλθει στο σώμα. Να φοράτε κατάλληλη μάσκα προστασίας από σκόνη.

Μην επεξεργάζεστε επικίνδυνα για την υγεία υλικά (π.χ. αμίαντος).

Σε περίπτωση μπλοκαρίσματος της αριδίας απενεργοποιείστε αμέσως τη συσκευή! Μην ενεργοποιείτε εκ νέου τη συσκευή όσο η αριδα είναι μπλοκαρισμένη. Σ' αυτή τη περίπτωση θα μπορούσε να προκύψει υψηλή ροπή αντίδρασης. Βρείτε την αιτία του μπλοκαρίσματος της αριδίας και ξεμπλοκάρετέ την λαμβάνοντας υπόψη τις οδηγίες ασφαλείας.

Πιθανές αιτίες:

- Η αριδα μάγκωσε με το προς κατεργασία κομμάτι.
- Σπάσιμο του προς κατεργασία υλικού.
- Υπερφόρτωση του ηλεκτρικού εργαλείου.

Μην απλώνετε τα χέρια σας στην επικίνδυνη περιοχή της μηχανής όταν είναι σε λειτουργία.

Η θερμοκρασία της αριδίας μπορεί να φτάσει σε υψηλά επίπεδα κατά τη λειτουργία.

- κατά την αλλαγή εργαλείου (αριδίας)
- κατά την απόθεση της συσκευής

Κατά τις εργασίες σε τοίχο, οροφή ή δάπεδο προσέχετε για τυχόν ηλεκτρικά καλώδια και για σωληνές αερίου και νερού.

Πριν από κάθε εργασία στη μηχανή αφαιρείτε την ανταλλακτική μπαταρία.

Μην πετάτε τις μεταχειρισμένες ανταλλακτικές μπαταρίες στη φωτιά ή στα οικιακά απορρίμματα. Η Milwaukee προσφέρει μια απόσυρση των παλιών ανταλλακτικών μπαταριών σύμφωνα με τους κανόνες προστασίας του περιβάλλοντος, ρωτήστε παρακαλώ σχετικά στο ειδικό κατάστημα πώλησης.

Μην αποθηκεύετε τις ανταλλακτικές μπαταρίες μαζί με μεταλλικά αντικείμενα (κινδύνος βραχυκυκλώματος).

Φορτίζετε τις ανταλλακτικές μπαταρίες του συστήματος M12 μόνο με φορτιστές του συστήματος M12. Μην φορτίζετε μπαταρίες από άλλα συστήματα.

Μην ανοίγετε τις ανταλλακτικές μπαταρίες και τους φορτιστές και χρησιμοποιείτε για αποθήκευση μόνο στεγνούς χώρους.

Προστατέψτε τις ανταλλακτικές μπαταρίες και τους φορτιστές από την υγρασία.

Όταν υπάρχει υπερβολική κατανόηση ή υψηλή θερμοκρασία μπορεί να τρέξει υγρό μπαταρίας από τις χαλασμένες επαναφορτιζόμενες μπαταρίες. Αν έρθετε σε επαφή με υγρό μπαταρίας να πλυθείτε αμέσως με νερό και σαπούνι. Σε περίπτωση επαφής με τα μάτια να πλυθείτε σχολαστικά για τουλάχιστον 10 λεπτά και να αναζητήσετε αμέσως ένα γιατρό.

Προειδοποίηση! Για να αποτρέπεται τον κίνδυνο πυρκαγιάς λόγω βραχυκυκλώματος, τραυματισμούς ή ζημιές του προϊόντος, να μη βυθίζετε το εργαλείο, τον ανταλλακτικό συσσωρευτή ή τη συσκευή φόρτισης σε υγρά και να φροντίζετε, ώστε να μη διεισδύουν υγρά στις συσκευές και τους συσσωρευτές. Διαβρωτικές ή αγώγιμες υγρές ουσίες, όπως αλατόνερο, ορισμένες χημικές ουσίες και λευκαντικά ή προϊόντα που περιέχουν λευκαντικά, μπορεί να προκαλέσουν βραχυκύκλωμα.

ΧΡΗΣΗ ΣΥΜΦΩΝΑ ΜΕ ΤΟ ΣΚΟΠΟ ΠΡΟΟΡΙΣΜΟΥ

Αυτό το εργαλείο αποκοπής προορίζεται να χρησιμοποιηθεί για την κοπή διαφορετικών υλικών.

Αυτή η συσκευή επιτρέπεται να χρησιμοποιηθεί μόνο σύμφωνα με τον αναφερόμενο σκοπό προορισμού.

Για να μειωθεί ο κίνδυνος τραυματισμού, να χρησιμοποιείτε διαμαντόδισκους τύπου 1 με μέγιστο πάχος 3,2 χιλ., οι οποίοι μπορούν να χρησιμοποιούνται σίγουρα με ελάχιστη ταχύτητα περιστροφής 20.000 λεπτό-1. Δίσκοι λείανσης τύπου 1 ενδείκνυνται μόνο για γωνιακή λείανση και όχι για επίπεδη λείανση. Να λαμβάνετε υπόψη όλες τις υποδείξεις ασφαλείας που προμηθεύονται μαζί με τη σμίλη τεμαχισμού.

Για την επιλογή του κατάλληλου δίσκου λείανσης να χρησιμοποιείτε τον κάτωθι πίνακα. Ανάλογα με το υλικό πρέπει να χρησιμοποιείτε διαφορετικούς δίσκους λείανσης. Να λαμβάνετε υπόψη τις υποδείξεις χρήσεως του κατασκευαστή του δίσκου λείανσης.

Τύπος δίσκου	Για τη λείανση
Δίσκοι λείανσης καρβιδίου	γυψοσανίδας, ινοτσιμέντου, πλαστικού
Σμίλες τεμαχισμού	χάλυβα, ανοξείδωτου χάλυβα, υλικών χωρίς σίδηρο
Διαμαντόδισκοι	πλακιδίων, σκυροδέματος, τούβλων, κεραμικών

ΔΗΛΩΣΗ ΠΙΣΤΟΤΗΤΑΣ ΕΚ

Δηλώνουμε υπεύθυνα ότι το προϊόν που περιγράφεται στο κεφάλαιο «Τεχνικά χαρακτηριστικά» είναι συμβατό με τις διατάξεις της Κοινοτικής Οδηγίας 2011/65/EU (RoHS), 2014/30/EE, 2006/42/EK και με τα ακόλουθα εναρμονισμένα κανονιστικά έγγραφα:

EN 60745-1:2009+A11:2010
EN 60745-2-22:2011+A11:2013
EN 55014-1:2017+A11:2020
EN 55014-2:2015
EN IEC 63000:2018

Winnenden, 2020-10-29

Alexander Krug
Managing Director



Εξουσιοδοτημένος να συντάξει τον τεχνικό φάκελο.

Teichronic Industries GmbH
Max-Eyth-Straße 10
71364 Winnenden
Germany

ΜΠΑΤΑΡΙΕΣ

Επιαναφορτίζετε τις ανταλλακτικές μπαταρίες που δεν έχουν χρησιμοποιηθεί για μεγαλύτερο χρονικό διάστημα πριν τη χρήση.

Μια θερμοκρασία πάνω από 50°C μειώνει την ισχύ της ανταλλακτικής μπαταρίας. Αποφεύγετε τη θέρμανση για μεγαλύτερο χρονικό διάστημα από τον ήλιο ή τις συσκευές θέρμανσης.

Διατηρείτε τις επαφές σύνδεσης στο φορτιστή και στην ανταλλακτική μπαταρία καθαρές.

Για μια άριστη διάρκεια ζωής πρέπει μετά τη χρήση οι μπαταρίες να φορτιστούν πλήρως.

Για μια κατά το δυνατόν μεγάλη διάρκεια ζωής οι μπαταρίες μετά τη φόρτιση οφείλουν να αφαιρεθούν από το φορτιστή.

Για την αποθήκευση της μπαταρίας για διάστημα μεγαλύτερο των 30 ημερών:
Αποθηκεύετε τη μπαταρία περ. στους 27°C σε στεγνό χώρο.

Αποθηκεύετε τη μπαταρία περ. στο 30%-50% της κατάστασης φόρτισης.

Κάθε 6 μήνες φορτίζετε εκ νέου τη μπαταρία.

ΠΡΟΣΤΑΣΙΑ ΕΝΑΝΤΙ ΥΠΕΡΦΟΡΤΩΣΗΣ ΜΠΑΤΑΡΙΑΣ

Το πακέτο μπαταρίας είναι εξοπλισμένο με μια προστασία υπερφόρτωσης, η οποία προστατεύει τη μπαταρία από υπερφόρτωση και εξασφαλίζει μια μεγάλη διάρκεια ζωής. Σε ιδιαίτερα υψηλή κατανόηση ο ηλεκτροκινητήρας της μπαταρίας απενεργοποιεί αυτόματα τη μηχανή. Για να συνεχίσετε την εργασία απενεργοποιείτε και ενεργοποιείτε πάλι τη μηχανή. Εάν δεν ξεκινάει πάλι η μηχανή, πιθανά το πακέτο μπαταρίας να είναι άδαιο και θα πρέπει να φορτιστεί εκ νέου στη συσκευή φόρτισης.

ΜΕΤΑΦΟΡΑ ΤΩΝ ΜΠΑΤΑΡΙΩΝ ΙΟΝΤΩΝ ΛΙΘΙΟΥ

Οι μπαταρίες ιόντων λιθίου υπόκεινται στις απαιτήσεις των νομικών διατάξεων για την μεταφορά επικινδύνων εμπορευμάτων.

Η μεταφορά τέτοιων μπαταριών πρέπει να πραγματοποιείται τηρώντας τους τοπικούς, εθνικούς και διεθνείς κανονισμούς και τις αντίστοιχες διατάξεις.

- Επιτρέπεται η μεταφορά τέτοιων μπαταριών στο δρόμο χωρίς περαιτέρω απαιτήσεις.
- Η εμπορική μεταφορά μπαταριών ιόντων λιθίου από εταιρείες μεταφορών υπόκειται στις απαιτήσεις των νομικών διατάξεων για την μεταφορά επικινδύνων εμπορευμάτων. Οι προετοιμασίες αποστολής και η μεταφορά πραγματοποιούνται αποκλειστικά από ειδικά εκπαιδευμένα πρόσωπα. Η συνολική διαδικασία συνοδεύεται από εξειδικευμένο προσωπικό.

Κατά τη μεταφορά μπαταριών ιόντων λιθίου πρέπει να προσέχετε τα εξής:

- Φροντίστε τα σημεία επαφών να είναι προστατευμένα και μονωμένα ώστε να αποφευχθούν βραχυκυκλώματα.
- Προσέξτε το πακέτο μπαταριών να είναι σταθερό μέσα στη συσκευασία και να μη γλιστρά.
- Η μεταφορά μπαταριών που παρουσιάζουν φθορές ή διαρροές δεν επιτρέπεται.

Για περισσότερες πληροφορίες απευθυνθείτε στην εταιρεία μεταφορών.

ΣΥΝΤΗΡΗΣΗ

Διατηρείτε πάντοτε τις σχισμές εξαερισμού στη μηχανή καθαρές.

Αποσυνδέετε το εργαλείο από το ρεύμα πριν τοποθετήσετε ή αφαιρέσετε την λεπίδα κόπτη.

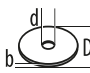
Καθαρίζετε την συσκευή και τον εξοπλισμό προστασίας με ένα στεγνό πανί. Μερικά απορρυπαντικά προκαλούν φθορές στο πλαστικό και σε άλλα μονωμένα μέρη. Διατηρείτε την συσκευή καθαρή, στεγνή και φροντίστε να μην έχει λεκέδες από διαρροές λαδιού ή γράσου. Ελέγξτε αν λειτουργεί σωστά η καλύπτρα προστασίας. Τακτική συντήρηση και καθαρισμός είναι απαραίτητα για μεγάλη διάρκεια ζωής και ασφαλή λειτουργία.

Χρησιμοποιείτε μόνο πρόσθ. εξαρτήματα Milwaukee και ανταλλακτικά Milwaukee. Κατασκ. τμήματα, που η αλλαγή τους δεν περιγράφεται, αντικαθίστανται σε μια τεχνική υποστήριξη της Milwaukee (βλέπε φυλλάδιο εγγύηση/ διευθύνσεις τεχνικής υποστήριξης).

Σε περίπτωση που το χρειαστείτε μπορείτε να παραγγείλετε λεπτομερές σχέδιο της συσκευής αναφέροντας τον τύπο και τον εξαψήφιο αριθμό που βρίσκεται στην πινακίδα τεχνικών χαρακτηριστικών από την εξυπηρέτηση πελατών ή απευθείας από την Teichronic Industries GmbH, διεύθυνση Max-Eyth-Straße 10, 71364 Winnenden, Germany.

ΣΥΜΒΟΛΑ

	ΠΡΟΣΟΧΗ! ΠΡΟΕΙΔΟΠΟΙΗΣΗ! ΚΙΝΔΥΝΟΣ!
	Πριν από κάθε εργασία στη μηχανή αφαιρείτε την ανταλλακτική μπαταρία.
	Παρακαλώ διαβάστε σχολαστικά τις οδηγίες χρήσης πριν από την έναρξη λειτουργίας.
	Να φοράτε προστατευτικά γάντια!
	Φοράτε προστασία ακοής (ωτασπίδες)!
	Στις εργασίες με τη μηχανή φοράτε πάντοτε προστατευτικά γυαλιά. Να φοράτε κατάλληλη μάσκα προστασίας από σκόνη.
	Εξαρτήματα - Δεν περιλαμβάνονται στα υλικά παράδοσης, συνιστούμε την προσθήκη από το πρόγραμμα εξαρτημάτων.
	Ηλεκτρικά μηχανήματα, μπαταρίες/συσσωρευτές δεν επιτρέπεται να απορρίπτονται μαζί με τα οικιακά απορρίμματα. Ηλεκτρικά μηχανήματα και συσσωρευτές συλλέγονται ξεχωριστά και παραδίδονται προς ανακύκλωση με τρόπο φιλικό προς το περιβάλλον σε επιχείρηση ετεξερμασίας απορριμμάτων. Ενημερωθείτε από τις τοπικές υπηρεσίες ή από ειδικευμένους εμπόρους σχετικά με κέντρα ανακύκλωσης και συλλογής απορριμμάτων.
	Ευρωπαϊκό σήμα πιστότητας
	Βρετανικό σήμα πιστότητας
	Ουκρανικό σήμα πιστότητας
	Ευρασιατικό σήμα πιστότητας

TEKNİK VERİLER	KESİCİ	M12 FCOT
Üretim numarası	4679 85 02... ...000001-999999	
Devir sayısı	20000 min ⁻¹	
	D=Kesici disk ø 76 mm d=Delik ø 10 mm b=Kesme diski kalınlığı dak. / maks. 1 mm / 3,2 mm	
Kesme derinliği	16,3 mm	
Kesme genişliği	min. 1 mm / max. 3,2 mm	
Kartuş akü gerilimi	12 V	
Ağırlığı ise EPTA-üretici 01/2014'e göre (6,0 Ah)	1,3 kg	
Çalışma sırasında tavsiye edilen ortam sıcaklığı	-18...+50 °C	
Tavsiye edilen akü tipleri	M12B2...M12B6	
Tavsiye edilen şarj aletleri	C12C,M12C4, M12-18AC,M12-18C, M12-18C3, M12-18FC,....	

Gürültü/Vibrasyon bilgileri (beton kesmek)

Ölçüm değerleri EN 60 745 e göre belirlenmektedir.

Aletin A değerlendirmeli gürültü seviyesi tipik olarak şu değerdedir:

Ses basıncı seviyesi (Tolerans K=3dB(A)) 105 dB (A)

Akustik kapasite seviyesi (Tolerans K=3dB(A)) 94 dB (A)

Koruyucu kulaklık kullanın!

Toplam titreşim değeri (üç yönün vektör toplamı) EN 60745'e göre belirlenmektedir:

Titreşim emisyon değeri a_{h,sg} 2,9 m/s²

Tolerans K= 1,5 m/s²

UYARI

Bu talimatlarda belirtilen titreşim seviyesi, EN 60745 standardına uygun bir ölçme metodu ile ölçülmüştür ve elektrikli el aletleri birbiriyle karşılaştırmak için kullanılabilir. Ölçüm sonuçları ayrıca titreşim yükünün geçici değerlendirilmesi için de uygundur.

Belirtilen titreşim seviyesi, elektrikli el aletinin genel uygulamaları için geçerlidir. Ancak elektrikli el aleti başka uygulamalar için, farklı eklenti parçalarıyla ya da yetersiz bakım koşullarında kullanılırsa, titreşim seviyesi farklılık gösterebilir. Bu durumda, titreşim yükü toplam çalışma zaman aralığı içerisinde belirgin ölçüde yükselebilir.

Titreşim yükünün tam bir değerlendirmesi için ayrıca cihazın kapalı olduğu süreler ve cihazın çalışır durumda olduğu, ancak gerçek kullanımda bulunmadığı süreler de dikkate alınmalıdır. Böylelikle, toplam çalışma zamanı aralığı boyunca meydana gelen titreşim yükü belirgin ölçüde azaltılabilir.

Kullanıcıyı titreşimlerin etkisinden korumak üzere, örneğin elektrikli el aletlerinin ve eklenti parçalarının bakımı, ellerin sıcak tutulması ve iş akışlarının organizasyonu gibi ek güvenlik tedbirleri belirleyiniz.

UYARI! Bütün güvenlik notlarını ve talimatları okuyunuz. Açıklanan uyarılara ve talimat hükümlerine uyulmadığı takdirde elektrik çarpmalarına, yangınlara ve/veya ağır yaralanmalara neden olunabilir. **Bütün uyarıları ve talimat hükümlerini ileride kullanmak üzere saklayın.**

DAİRE TESTERELERİ İÇİN GÜVENLİK UYARILARI

a) Elektrikli alete ait koruyucu kapağın güvenli bir şekilde sabitlenmiş ve en üst seviyede güvenlik elde edilecek şekilde ayarlanmış olmalıdır, yani taşlama aksesuarının mümkün olan en küçük kısmı açık olarak kullanan kişiye doğru bakmaktadır. Kendiniz ve yakınınızdaki şahıslar rotatif taşlama diskisinin düzeyinin dışında durmalıdır. Koruyucu kapak kullanan kişiyi kırılan parçalara ve taşlama aksesuarı ile tesadüfen temasa karşı korumalıdır.

b) Elektrikli aletiniz için sadece bağlı takviyeli veya elmaslı kesme diskleri kullanınız. Aksesuarı elektrikli aletinize takabiliyor olmanız, güvenli kullanımını için garanti anlamına gelmez.

c) Kullanılan takımın izin verilen devri, en az elektrikli cihaz üzerinde yazılı azami devir kadar yüksek olmalıdır. İzin verileden daha hızlı dönen aksesuar kırılabilir ve etrafa fırlayabilir.

d) Taşlama uçları sadece tavsiye edilen uygulamalarda kullanılabilir. Örneğin: Bir kesme diskinin kenarı ile hiçbir zaman taşlama yapmayın. Kesici taşlama diskleri uçları ile malzeme kazıma için geliştirilmiştir. Bu uçlara yandan baskı uygulandığında kırılabilirler.

e) Her zaman hasarsız ve seçilen kesme taşı için doğru büyüklükte sıkma flanşlarını kullanınız. Uygun flanşlar kesme taşını destekler ve bu sayede kesme taşının kırılması tehlikesini azaltır.

f) Büyük elektrikli el aletlerini ait yıpranmış taşlama disklerini kullanmayın. Büyük elektrikli el aletlerinde kullanılan taşlama diskleri yüksek devirli küçük el aletlerinde kullanılmaya elverişli değildirler ve kırılabilirler.

g) Kullanılan takımın dış çapı ve kalınlığı elektrikli cihazın ölçü bilgilerine uygun olmalıdır. Yanlış ölçüye sahip takımlar yeterli kadar korunamaz veya kontrol edilemezler.

h) Taşlama diskleri ve flanşlar elektrikli aletinizin taşlama mili üzerine tam olarak uymak zorundadır. Elektrikli aletin taşlama miline tam olarak uymayan uçlar, düzensiz döner, titreşir ve hâkimiyetin kaybedilmesine neden olabilirler.

i) Hasarlı taşlama diskleri kullanmayınız. Her kullanımdan önce taşlama disklerini ayrılmış parçacıklar ve çatlaklıklar yönünden kontrol ediniz. Elektrikli alet veya taşlama diski yere düştüğünde, hasar görmüş olup olmadığını kontrol ediniz veya hasarsız bir taşlama diski kullanınız. Taşlama diskinin kontrol edip taktıysanız, kendiniz ve yakınınızdaki şahısların rotatif taşlama diskinin düzeyi dışında durmasını sağlayınız ve aleti bir dakika süreyle en yüksek devirde çalıştırınız. Hasarlı taşlama diskleri bu test süresi içinde genelde kırılırlar.

j) Kişisel koruyucu donanım kullanın. Yaptığınız işe göre tam yüz siperliği, göz koruma donanımı veya koruyucu gözlük kullanın. Eğer uygunsuz küçük taşlama ve malzeme parçacıklarına karşı koruma sağlayan toz

maskesi, koruyucu kulaklık, koruyucu iş eldivenleri veya özel iş önlüğü kullanın. Gözler çeşitli uygulamalarda etrafa savrulan parçacıklardan korunmalıdır. Toz veya soluma maskesi çalışma sırasında ortaya çıkan tozları filtre eder. Uzun süre yüksek gürültü altında çalışırsanız işitme kaybına uğrayabilirsiniz.

k) Diğer insanların çalışma sahanıza güvenli mesafede durmasına dikkat ediniz. Çalışma sahasına giren herkes kişisel koruyucu donanım kullanmalıdır. İş parçası kırıkları veya kırılan takımlar savrulabilir ve doğrudan çalışma sahasının dışında da yaralanmalara neden olabilir.

l) Kesme aletinin eğrilmiş elektrik kabloları veya kendi kablosuna isabet eden çalışmalar yapılrken cihazı izole edilmiş kollarından tutun. Kesme aletinin içinden elektrik akımı geçen kablo ile temas etmesi durumunda elektrik akımı cihazın metal kısımlarına geçer ve elektrik çarpmasına sebebiyet verebilir.

m) Şebeke bağlantı kablosunu dönen uçlardan uzak tutun. Elektrikli el aletinin kontrolünü kaybederseniz, şebeke bağlantı kablosu ayrılabilir veya uç tarafından tutulabilir ve el veya kollarınız dönmekte olan uca temas edebilir.

n) Takım tamamen durmadan elektrikli cihazı asla yere koymayınız. Dönen takımın bırakılan yüzeye temas etmesi durumunda elektrikli cihazın kontrolünü kaybedebilirsiniz.

o) Elektrikli el aletini çalışır durumda taşımayın. Giysileriniz rastlantı sonucu dönmekte olan uç tarafından tutulabilir ve uç bedeninize temas edebilir.

p) Elektrikli el aletinizin havalandırma deliklerini düzenli olarak temizleyin. Motor fanı tozu gövdeye çeker ve metal tozunun aşırı birikimi elektrik çarpmaya tehlikesini ortaya çıkarır.

q) Elektrikli cihazı asla yanıcı malzemelerin yanında kullanmayınız. Kıvılcımlar bu malzemeleri tutuşturabilir.

r) Sıvı soğutma maddeleri gerektiren takımlar kullanmayınız. Su veya sıvı başka soğutma maddelerinin kullanılması elektrik çarpmasına yol açabilir.

Profil kesme uygulamaları için ayrıca güvenlik uyarıları

Geri tepme ve ilgili emniyet bilgileri

Geri tepme, takılımış veya bloke olmuş durumda dönen bir taşlama diskinin ani tepkisidir. Takılma veya bloke olma, rotatif ucun aniden durmasına neden olmaktadır. Böylece kontrolsüz bir elektrikli alet, bloke olduğu noktada ucun dönme yönünün tersine hızlanmaktadır.

Örneğin bir taşlama diski iş parçası içinde takılır veya bloke olursa, taşlama diskinin içine giren kenarı tutulur ve disk kırılır veya geri tepme kuvvetinin ortaya çıkmasına neden olur. Bu durumda taşlama diski blokaj yerinden, diskin dönme yönüne bağlı olarak kullanıcıya doğru veya kullanıcının tersine hareket eder. Bu gibi durumlarda taşlama disklerinin kırılma olasılığı da vardır.

Geri tepme kuvveti elektrikli el aletinin yanlış veya hatalı kullanımı sonucu ortaya çıkar. Geri tepme kuvvetleri aşağıda açıklanan koruyucu önlemlerle önenebilir.

a) Elektrikli el aletini sıkıca tutun ve bedeniniz ile ellerinizi geri tepme kuvvetlerini rahatça karşılayabilecek duruma getirin. Alet hızlanırken ortaya çıkabilecek geri tepme kuvvetlerini veya reaksiyon momentlerini optimal ölçüde karşılayabilmek için eğer varsa her zaman ek tutamağı kullanın. Kullanıcı uygun önlemler alarak geri tepme ve reaksiyon kuvvetlerine hakim olabilir.

b) Elinizi hiçbir zaman dönen ucun yakınına getirmeyin. Uç geri tepme sırasında elinize doğru hareket edebilir.

c) Rotatif kesme diskinin önündeki ve arkasındaki alanlardan durmaktan sakınınız. Geri tepme elektrikli aleti, kesme diskinin bloke olduğu noktadaki hareketinin ters yönüne doğru itmektedir.

d) Özellikle köşelerde, keskin kenarları ve benzerlerini işlerken dikkatli olun. Ucun iş parçasından dışarı çıkmasını ve takılıp sıkışmasını önleyin. Dönmekte

olan uç köşelerde, keskin kenarlarda çalışırken sıkışmaya eğilimlidir. Bu işe kontrol kaybına veya geri tepmeye neden olur.

e) Zincirli veya dişli testere ve de 10 mm'den geniş ker-tikler olan bölünmüş elmaslı diskler kullanmayınız. Bu tür uçlar genelde geri tepmeye veya elektrikli alet üzerindeki hakimiyetin kaybedilmesine neden olurlar.

f) Kesici taşlama diskinin bloke olmamasını sağlayın veya bu diske yüksek bastırma kuvveti uygulamayın. Aşırı derinlikte kesme yapmayın. Kesici taşlama ucuna aşırı yüklenme açıldırma yapılmasına veya blokaja neden olabilir ve bunun sonunda da geri tepme kuvveti oluşabilir veya taşlama ucu kırılabilir.

g) Kesici taşlama diski sıkışacak olursa veya siz işe ara verirsiniz elektrikli el aletini kapatın ve disk tam olarak duruncaya kadar aleti sakın biçimde tutun. Dönmekte olan kesici taşlama diskinin hiçbir zaman kesme yerinden çıkarmayı denemeyin, aksi takdirde geri tepme kuvveti oluşabilir. Sıkışmanın nedenini tespit edin ve giderin.

h) Elektrikli el aleti iş parçası içinde bulunduğu sürece onu tekrar çalıştırmayın. Kesme işine dikkatli biçimde devam etmeden önce kesme diskinin en yüksek devire ulaşmasını bekleyin. Aksi takdirde disk takılabilir, iş parçasından çıkabilir veya bir geri tepme kuvveti oluşabilir.

i) Kesici taşlama diskinin sıkışması sonucu oluşabilecek geri tepme kuvvetlerini önlemek için büyük levha veya iş parçalarını destekleyin. Büyük iş parçaları kendi ağırlıkları ile bükülebilir. Büyük iş parçaları iki yandan desteklenmelidir, hem kesme hattının yakınından hem de kenardan.

j) Duvarlar veya diğer görülmeyen alanların olduğu yerlerde özellikle "cep kesmelerinde" dikkatli olun. Malzeme içine dalan kesici taşlama diskleri kesme işlemi sırasında gaz veya su borularına, elektrik kablolarına veya diğer nesnelere rastlayarak geri tepme kuvveti oluşturabilirler.

EK GÜVENLİK VE ÇALIŞMA TALIMATLARI

Kullanılan takımın izin verilen devri, en az elektrikli cihaz üzerinde yazılı azami devir kadar yüksek olmalıdır. İzin verileden daha hızlı dönen aksesuar kırılabilir ve etrafa fırlayabilir.

Koruma teçhizatı kullanın. Makinada çalışırken devamlı surette koruyucu gözlük takın. Koruyucu elbise ve tozlardan koruma maskesi, emniyet eldivenleri ve sağlam ve kaymaya mukavim ayakkabı giyin. Başlık ve kulaklık tavsiye edilir.

UYARI Aşırı toz oluşan işlerde yaralanma riskini azaltmak için, kullanma kılavuzuna uygun olarak bir Milwaukee toz emme çözümü kullanmanız tavsiye olunur.

Çalışma sırasında ortaya çıkan toz genellikle sağlığa zararlıdır ve bedeninize temas etmemelidir. Uygun bir koruyucu toz maskesi kullanın

Sağlık tehlikelerine neden olan malzemelerin işlenmesi yasaktır (örn. asbest).

Uca yerleştirilen takımın bloke olması halinde lütfen cihazı hemen kapatın! Uca yerleştirilen takım bloke olduğu süreçte cihazı tekrar çalıştırmayın; bu sırada yüksek reaksiyon momentine sahip bir geri tepme meydana gelebilir. Uca yerleştirilen takımın neden bloke olduğuna bakın ve bu durumu güvenlik uyarılarına dikkat ederek giderin.

Olasi nedenler şunlar olabilir:

- İşlenen parça içinde takılma
- İşlenen malzemenin delinmesi
- Elektrikli alete aşırı yük binmesi

Ellerinizi çal1_makta olan makinenin içine uzatmay1n.

Uca yerleştirilen takım kullanım sırasında ısınabilir.

- takım değiştirme sırasında
- aletin yere bırakılması sırasında

Duvar, tavan ve zeminde delik açarken elektrik kablolarına, gaz ve su borularına dikkat edin.

Aletin kendinde bir çalışma yapmadan önce kartuş aküyü çıkarın.

Kullanılmış kartuş aküleri ateşe veya ev çöplerine atmayın. Milwaukee, kartuş akülerin çevreye zarar vermeyecek biçimde tasfiye edilmesine olanak sağlayan hizmet sunar; lütfen bu konuda yetkili satıcınızdan bilgi alın.

Kartuş aküleri metal parça veya eşyalarla birlikte saklamayın (kısa devre tehlikesi).

C18 sistemli kartuş aküleri sadece M12 sistemli şarj cihazları ile şarj edin. Başka sistemli aküleri şarj etmeyin.

Kartuş aküleri ve şarj cihazını açmayın ve sadece kuru yerlerde saklayın. Neme ve ıslanmaya karşı koruyun.

Aşırı zorlanma veya aşırı ısınma sonucu hasar gören kartuş akülerden batarya sıvısı dışarı akabilir. Batarya sıvısı ile temasa gelen yeri hemen bol su ve sabunla yıkayın. Batarya sıvısı gözünüze kaçacak olursa en azından 10 dakika yıkayın ve zaman geçirmeden bir hekime başvurun.

Uyarı! Bir kısa devreden kaynaklanan yangın, yaralanma veya ürün hasarları tehlikesini önlemek için aleti, güç paketini veya şarj cihazını asla sıvıların içine daldırmayınız ve cihazların ve pillerin içine sıvı girmesini önleyiniz. Tuzlu su, belirli kimyasallar, ağartıcı madde veya ağartıcı madde içeren ürünler gibi korozif veya iletken sıvılar kısa devreye neden olabilir.

KULLANIM

Bu kesme aleti farklı materyalleri kesmek için kullanılır.

Bu alet sadece belirttiği gibi ve usulüne uygun olarak kullanılabilir.

Yaralanma riskini en aza indirmek için, kalınlığı en fazla 3,2 mm olan ve asgari 20.000 min-1 s devirle güvenle çalıştırılabilen 1 tipi elmas zımpara diskleri kullanınız. 1 tipi zımpara diskleri sadece kenar zımparalama için uygun olup, düz zımparalama için uygun değildir. Lütfen kesici disklerle birlikte teslim edilen bütün güvenlik açıklamalarına dikkat ediniz.

Uygun zımpara diskini seçmek için aşağıdaki listeyi kullanınız. Malzemeye bağlı olarak farklı zımpara diskleri kullanılmalıdır. Lütfen kesici disk üreticisinin bütün kullanım uyarılarına dikkat ediniz.

Disk tipi	Zımparalanabilen malzemeler:
Karbit zımpara diskleri	Alçıpan, elyaf çimento, plastik
Kesici diskler	Çelik, paslanmaz çelik, demir içermeyen malzemeler
Elmas zımpara diskleri	Fayans, beton, tuğla, seramik

CE UYGUNLUK BEYANI

Tek sorumlu olarak „Teknik Veriler“ bölümünde tarif edilen ürünün 2011/65/EU (RoHS), 2014/30/EU, 2006/42/EC sayılı direktifin ve aşağıdaki harmonize temel belgelerin bütün önemli hükümlerine uygun olduğunu beyan etmekteyiz:

EN 60745-1:2009+A11:2010
EN 60745-2-22:2011+A11:2013
EN 55014-1:2017+A11:2020
EN 55014-2:2015
EN IEC 63000:2018

Winnenden, 2020-10-29



Alexander Krug
Managing Director



Teknik evrakları hazırlamakla görevlendirilmiştir.

Techtronic Industries GmbH
Max-Eyth-Straße 10
71364 Winnenden
Germany

AKÜ

Uzun süre kullanım dışı kalmış kartuş aküleri kullanmadan önce şarj edin.

50°C üzerindeki sıcaklıklar kartuş akünün performansını düşürür. Akünün güneş ışığı veya mekân sıcaklığı altında uzun süre ısınmamasına dikkat edin.

Şarj cihazı ve kartuş aküdeki bağlantı noktalarını temiz tutun.

Akünün ömrünün mükemmel bir şekilde uzun olması için kullandıktan sonra tamamen doldurulması gerekir.

Ömrünün mümkün olduğu kadar uzun olması için akülerin yüklemeye yapıldıktan sonra doldurma cihazından uzaklaştırılması gerekir.

Akünün 30 günden daha fazla depolanması halinde: Aküyü takriben 27°C'de kuru olarak depolayın. Aküyü yüklemeye durumunun takriben % 30 - %50 olarak depolayın. Aküyü her 6 ay yeniden doldurun.

AKÜNÜN AŞIRI YÜKLENMEYE KARŞI KORUNMASI

Akü donanımı, aküyü fazla yüklenmeye karşı koruyan ve uzun ömürlü olmasını garanti eden fazla yüklenmeye karşı bir koruma tertibatı ile teçhiz edilmiştir. Aşırı fazla bir şekilde kullanılması durumunda akünün elektronik tertibatı makineyi otomatik olarak kapatır. Makinenin tekrar çalıştırılması amacı ile tekrar kapatın ve yeniden çalıştırın. Makine tekrar çalışmazsa, akü donanımı muhtemelen boşalmıştır ve o zaman yeniden şarj edilerek tekrar doldurulması gerekir.

LİTYUM İYON PİLLERİN TAŞINMASI

Lityum iyon piller tehlikeli madde taşımacılığı hakkındaki yasal hükümler tabidir.

Bu piller, bölgesel, ulusal ve uluslararası yönetmeliklere ve hükümlere uyularak taşınmak zorundadır.

- Tüketiciler bu pilleri herhangi bir özel şart aranmaksızın karayoluyla taşıyabilirler.
- Lityum iyon pillerin nakliye şirketleri tarafından ticari taşımacılığı için tehlikeli madde taşımacılığının hükümleri geçerlidir. Sevk hazırlığı ve taşıma sadece ilgili eğitimi görmüş personel tarafından gerçekleştirilebilir. Bütün süreç uzmanca bir refakatçilik altında gerçekleştirilmek zorundadır.

Pillerin taşınması sırasında aşağıdaki hususlara dikkat edilmesi gerekmektedir:

- Kısa devre oluşmasını önlemek için kontakların korunmuş ve izole edilmiş olmasını sağlayınız.
- Pil paketinin ambalajı içinde kaymamasına dikkat ediniz.
- Hasarlı veya akmış pillerin taşınması yasaktır.

Ayrıca bilgiler için nakliye şirketinize başvurunuz.

BAKIM

Aletin havalandırma aralıklarını daima temiz tutun.










Testere bıçağını takmadan veya çıkarmadan önce aletin fişini güç kaynağından çektiğinizden emin olun.




Cihazı ve koruyucu tertibatı kuru bir bezle temizleyiniz. Bazı temizlik maddeleri plastik veya başka izole parçalara zarar verebilir. Cihazı temiz ve kuru tutunuz ve dışına taşan sıvı yağları ve gresleri temizleyiniz. Koruyucu kapakların fonksiyonunu kontrol ediniz. Düzenli aralıklarda yapılan bakım ve temizlik, uzun bir dayanma ömrü ve güvenli bir kullanım sağlar.

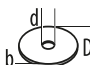
Sadece Milwaukee aksesuarı ve yedek parçası kullanın. Nasıl değiştirileceği açıklanmamış olan yapı parçalarını bir Milwaukee müşteri servisinde değiştirin (Garanti ve servis adresi broşürüne dikkat edin).

Gerektiğinde cihazın ayrıntılı çizimini, güç levhası üzerindeki makine modelini ve altı haneli rakamı belirterek müşteri servisizden veya doğrudan Techtronic Industries GmbH, Max-Eyth-Straße 10, 71364 Winnenden, Germany adresinden isteyebilirsiniz.

SEMBOLLER

	DİKKAT! UYARI! TEHLİKE!
	Aletin kendinde bir çalışma yapmadan önce kartuş aküyü çıkarın.
	Lütfen aleti çalıştırmadan önce kullanma kılavuzunu dikkatli biçimde okuyun.
	Koruyucu eldivenlerinizi takınız!
	Koruyucu kulaklık kullanın!
	Aletle çalışırken daima koruyucu gözlük kullanın. Uygun bir koruyucu toz maskesi kullanın
	Aksesuar - Teslimat kapsamında değildir, önerilen tamamlamalar aksesuar programında.
	Elektrikli cihazların, pillerin/akülerin evsel atıklarla birlikte bertaraf edilmesi yasaktır. Elektrikli cihazlar ve aküler ayrılarak biriktirilmeli ve çevreye zarar vermeden bertaraf edilmeleri için bir atık değerlendirme tesisine götürülmelidirler. Yerel makamlara veya satıcınıza geri dönüşüm tesisleri ve atık taşımacılığının hükümlerini yerlerini danışınız.
	Avrupa uyumluluk işareti

	Britanya uyumluluk işareti
	Ukrayna uyumluluk işareti
	Avrasya uyumluluk işareti

Výrobní číslo.....	4679 85 02...
Jmenovité otáčky.....	20000 min ⁻¹
 D=Rozbrušovací kotouče-ø.....	76 mm
d=ø otvoru.....	10 mm
b=Tloušťka rozbrušovacího kotouče min. / max.....	1 mm / 3,2 mm
Řezná hloubka.....	16,3 mm
Šířka řezu.....	min. 1 mm / max. 3,2 mm
Napětí výměnného akumulátoru.....	12 V
Hmotnost podle prováděcího předpisu EPTA 01/2014 (6,0 Ah).....	1,3 kg
Doporučená okolní teplota při práci.....	-18...+50 °C
Doporučené typy akumulátorů.....	M12B2...M12B6
Doporučené nabíječky.....	C12C,M12C4, M12-18AC,M12-18C, M12-18C3, M12-18FC,...

Informace o hluku / vibracích (řezání betonu)
 Naměřené hodnoty odpovídají EN 60 745.

Typická vážená Hladina akustického tlaku (Kolísavost K=3dB(A)).....	105 dB (A)
Hladina akustického výkonu (Kolísavost K=3dB(A)).....	94 dB (A)

Používejte chrániče sluchu!

Celkové hodnoty vibrací (vektorový součet tří směrů) zjištěné ve smyslu EN 60745.	
Hodnota vibračních emisí a _{h,SC}	2,9 m/s ²
Kolísavost K=.....	1,5 m/s ²

VAROVÁNÍ

Úroveň chvění uvedená v tomto návodu byla naměřena podle metody měření stanovené normou EN 60745 a může být použita pro porovnání elektrického nářadí. Hodí se také pro průběžný odhad zatížení chvěním.
 Uvedená úroveň chvění představuje hlavní účely použití elektrického nářadí. Jestliže se ale elektrické nářadí používá pro jiné účely, s odlišnými nástroji nebo s nedostatečnou údržbou, může se úroveň chvění odlišovat. To může značně zvýšit zatížení chvěním během celé pracovní doby.
 Pro přesný odhad zatížení chvěním se musí také zohlednit časy, během kterých je přístroj vypnutý nebo kdy je sice v chodu, ale skutečně se s ním nepracuje. To může zatížení chvěním během celé pracovní doby značně snížit.
 Stanovte doplňková bezpečnostní opatření pro ochranu obsluhy před účinky chvění jako například: technická údržba elektrického nářadí a nástrojů, udržování teploty rukou, organizace pracovních procesů.

UPOZORNĚNÍ! Přečtěte si všechny bezpečnostní pokyny a návody. Zanedbání při dodržování varovných upozornění a pokynů mohou mít za následek úverovných elektrickým proudem, požár a/nebo těžká poranění.
Všechna varovná upozornění a pokyny do budoucna uschovejte.

BEZPEČNOSTNÍ POKYNY PRO KOTOUČOVÉ PILY

- a) **Ochranný kryt patří k elektrickému nářadí musí být bezpečně nasazený a nastavený tak, aby se dosáhla maximální míra bezpečnosti, tj. aby byla nejmenší možná část brusného kotouče na straně obsluhy odkrytá. Zdržujte se a osoby nacházející se v blízkosti mimo úroveň rotujícího brusného kotouče.** Ochranný kryt má obsluhu chránit před úlomky a náhodným kontaktem s brusným kotoučem.
- b) **Používejte výhradně vázané zpevněné nebo diamantem osazené rozbrušovací kotouče pro vaše elektrické nářadí. Pouze to, že příslušenství dokážete připevnit na vaše elektrické nářadí, nezaručuje jeho bezpečné použití.**
- c) **Přípustný počet otáček vkládaného nástroje musí být minimálně stejně vysoký jako maximální počet otáček uvedený na elektrickém nářadí.** Příslušenství, které se točí rychleji, než je přípustné, se může rozbit a rozletět do okolí.
- d) **Brusná tělesa smějí být použita pouze pro doporučené možnosti nasazení. Např.: nikdy nebruste boční plochou dělicího kotouče.** Dělicí kotouče jsou určeny k úběru materiálu hranou kotouče. Boční působení síly na tato brusná tělesa je může rozlámat.
- e) **Pro vámi zvolený řezný kotouč používejte vždy nepoškozene upínací příruby ve správné velikosti.** Vhodné

- příruby podírají řezný kotouč, a snižují tak nebezpečí zlomení řezného kotouče.
- f) **Nepoužívejte žádné opotřebované brusné kotouče od většího elektronářadí.** Brusné kotouče pro větší elektronářadí nejsou dimenzovány pro vyšší otáčky menších elektronářadí a mohou prasknout.
- g) **Vnější průměr a tloušťka vkládaného nástroje musí odpovídat rozměrovým údajům vašeho elektrického přístroje.** Špatně vyměřené vkládané nástroje nelze dostatečně zakrýt ani kontrolovat.
- h) **Brusné kotouče a příruby musí přesně přiléhat k vřetenu brusného kotouče vašeho elektrického nářadí.** Nasazené pracovní nástroje, které přesně nepřiléhají k vřetenu brusného kotouče elektrického nářadí, se otáčejí nerovnoměrně, velmi silně vibrují a mohou vést ke ztrátě kontroly nad nářadím.
- i) **Poškozene brusné kotouče nepoužívejte. Před každým použitím brusné kotouče zkontrolujte, jestli na nich nejsou odloupnuté části a trhliny. Když elektrické nářadí nebo brusný kotouč spadne, tak zkontrolujte, jestli nejsou poškozené, nebo použijte nepoškozene brusný kotouč. Když jste si brusný kotouč zkontrolovali a nasadili jej zpět, tak se zdržujte a osoby nacházející se v blízkosti mimo úroveň rotujícího brusného kotouče a přístroj nechte minutu běžet na nejvyšších otáčkách.** Poškozené brusné kotouče během doby testování většinou prasknou.
- j) **Noste osobní ochranné vybavení. Podle aplikace použijte ochranu celého obličej, ochranu očí nebo ochranné brýle. Taktéž adekvátně noste ochrannou masku proti prachu, ochranu sluchu, ochranné rukavice nebo speciální zástěru, jež Vás ochrání před malými částicemi brusiva a materiálu.** Oči mají být chráněny před

- odletujícími cizími tělisky, jež vznikají při různých aplikacích. Protiprachová maska či respirátor musejí při používání vznikající prach odfiltrovat. Pokud jste dlouho vystaveni silnému hluku, můžete utrpět ztrátu sluchu.
- k) **Zajistěte, aby se ostatní osoby zdržovaly v bezpečné vzdálenosti od vašeho pracoviště. Každý, kdo vstoupí na pracoviště, musí nosit osobní ochranné pomůcky.** Úlomky obrobku nebo odlomené vložené nástroje mohou odletnout a způsobit zranění i mimo oblast bezprostředního pracoviště.
- l) **Při provádění prací, při kterých nástroj může narazit na skryta elektrická vedení nebo na vlastní kabel, držte přístroj za izolované předřizovací plošky.** Kontakt řezného nástroje s vedením pod napětím může vést k přenosu napětí na kovové části přístroje a k úrazu elektrickým proudem.
- m) **Držte síťový kabel daleko od otáčejících se nasazovacích nástrojů.** Když ztratíte kontrolu nad strojem, může být přerušen nebo zachycen síťový kabel a Vaše ruka nebo paže se může dostat do otáčejícího se nasazovacího nástroje.
- n) **Elektrické nářadí nesmíte nikdy odložit dříve, než se vložený nástroj zcela zastaví.** Otáčející se vložený nástroj se může dostat do kontaktu s odkládací plochou, a vy tak můžete ztratit kontrolu nad elektrickým přístrojem.
- o) **Nenechte elektronářadí běžet po dobu, co jej nesete.** Váš oděv může být náhodným kontaktem s otáčejícím se nasazovacím nástrojem zachycen a nasazovací nástroj se může zavrtat do Vašeho těla.
- p) **Čistěte pravidelně větrací otvory Vašeho elektronářadí.** Ventilátor motoru vtahuje do tělesa prach a silné nahromadění kovového prachu může způsobit elektrická rizika.
- q) **Elektrický přístroj nepoužívejte v blízkosti hořlavých materiálů.** Jiskry mohou tyto materiály zapálit.
- r) **Nepoužívejte chlazené nástroje, které vyžadují tekutá chladiva.** Použití vody nebo jiných tekutých chladiv může způsobit zásah elektrickým proudem.

Další bezpečnostní pokyny pro použití rozbrušovačky

- Zpětný ráz a odpovídající bezpečnostní pokyny**
 Zpětný ráz je náhlou reakcí na zaseknutý nebo zablokovaný otáčející se brusný kotouč. Zaseknutí nebo zablokování vede k náhlému zastavení rotujícího nasazeného pracovního nástroje. Vlivem toho se elektrické nářadí na zablokovaném místě nekontrolovatelně roztočí proti směru otáčení nasazeného pracovního nástroje.
 Pokud se např. zpříchí nebo zablokuje brusný kotouč v obrobku, může se hrana brusného kotouče, která se zanojuje do obrobku, zakusnout a tím brusný kotouč vylomí nebo způsobí zpětný ráz. Brusný kotouč se potom pohybuje k nebo od obsluhující osoby, podle směru otáčení kotouče na místě zablokování. Při tom mohou brusné kotouče i prasknout.
 Zpětný ráz je důsledek nesprávného nebo chybného použití elektronářadí. Lze mu zabránit vhodnými preventivními opatřeními, jak je následně popsáno.
- a) **Držte elektronářadí dobře pevně a uveďte Vaše tělo a paže do polohy, ve které můžete zachytit síly zpětného rázu. Je-li k dispozici, používejte vždy přidavnou rukojeť, abyste měli co největší možnou kontrolu nad silami zpětného rázu nebo reakčních momentů při rozběhu.** Obsluhující osoba může vhodnými preventivními opatřeními zvládnout síly zpětného rázu a reakčního momentu.
- b) **Nikdy nedávejte Vaši ruku do blízkosti otáčejících se nasazovacích nástrojů.** Nasazovací nástroj se při zpětném rázu může pohybovat přes Vaši ruku.
- c) **Vyhýbejte se oblastí před a za rotujícím rozbrušovacím kotoučem.** Zpětný ráz vymrští ruční elektrické

- nářadí proti směru pohybu brusného kotouče na místě zablokování.
- d) **Zvláště opatrně pracujte v místech rohů, ostrých hran apod. Zabraňte, aby se nasazovací nástroj odrazil od obrobku a vzpřichl.** Rotující nasazovací nástroj je u rohů, ostrých hran a pokud se odrazí náchylný na vzpřičení se. Toto způsobí ztrátu kontroly nebo zpětný ráz.
- e) **Nepoužívejte žádný řetězový nebo ozubený pilový list ani segmentovaný diamantový kotouč s drážkami širšími než 10 mm.** Takové pracovní nástroje často způsobují zpětný ráz nebo ztrátu kontroly nad elektrickým nářadím.
- f) **Zabraňte zablokování dělicího kotouče nebo příliš vysokému přítlaku. Neprovádějte žádné nadměrné hluboké řezy.** Přetížení dělicího kotouče zvyšuje jeho namáhání a náchylnost ke vzpřičení nebo zablokování a tím možnost zpětného rázu nebo prasknutí brusného tělesa.
- g) **Jestliže dělicí kotouč uvízne nebo práci přerušíte, elektronářadí vypněte a vydržte v klidu než se kotouč zastaví. Nikdy se nepokoušejte ještě běžící dělicí kotouč vytáhnout z řezu, jinak může následovat zpětný ráz.** Zjistěte a odstraňte příčinu uvíznutí.
- h) **Elektronářadí opět nezapínejte, dokud se nachází v obrobku. Nechte dělicí kotouč nejprve dosáhnout svých plných otáček, než budete v řezu opatrně pokračovat.** Jinak se může kotouč zaseknout, vyskočit z obrobku nebo způsobit zpětný ráz.
- i) **Desky nebo velké obrobky podepřete, aby se zabránilo riziku zpětného rázu od sevřeného dělicího kotouče.** Velké obrobky se mohou pod svou vlastní hmotností prohnut. Obrobek musí být podepřen na obou stranách a to jak v blízkosti dělicího řezu tak i na okraji.
- j) **Budte obzvláště opatrní u "kapsovitých řezů" do stávajících stěn nebo jiných míst, kam není vidět.** Zanořující se dělicí kotouč může při zařazení do plynových, vodovodních či elektrických vedení nebo jiných objektů způsobit zpětný ráz.

DALŠÍ BEZPEČNOSTNÍ A PRACOVNÍ POKYNY

Přípustný počet otáček vkládaného nástroje musí být minimálně stejně vysoký jako maximální počet otáček uvedený na elektrickém nářadí.
 Příslušenství, které se točí rychleji, než je přípustné, se může rozbit a rozletět do okolí.
 Použijte ochranné vybavení. Při práci s elektrickým nářadím používejte vždy ochranné brýle. Doporučujeme rovněž použití součástí ochranného oděvu a ochranné obuvi, jako protiprašné masky, ochranných rukavic, pevné a neklouzající obuvi, ochranné přilby a ochrany sluchu.
UPOZORNĚNÍ Aby se snížilo riziko zranění při pracích s výrazným vznikem prachu, doporučujeme vám použít řešení na odsávání prachu od spol. Milwaukee v souladu s návodem k obsluze.
 Prach vznikající při práci s tímto nářadím může být zdraví škodlivý. Proto by neměl přijít do styku s tělem. Používejte při práci vhodnou ochranou masku.
 Nesmějí se opracovávat materiály, které mohou způsobit ohrožení zdraví (např. azbest)
 Při zablokování nasazeného nástroje přístroj okamžitě vypněte! Přístroj nezapínejte, pokud je nasazený nástroj zablokovaný; mohl by při tom vzniknout zpětný náraz s vysokým reakčním momentem. Zjistěte příčinu zablokování nasazeného nástroje a odstraňte ji při dodržení bezpečnostních pokynů.
 Možnými příčinami mohou být:
 • vzpřičení v opracovávaném obrobku
 • přelomení opracovávaného materiálu
 • přetížení elektrického přístroje
 Nezasahujte do běžícího stroje.
 Nasazený nástroj se může během používání rozpálit.

- při výměně nástroje
- při odkládání přístroje

Při vrtání do zdi, stropu nebo podlahy dávat pozor na elektrické kabely, plynová a vodovodní potrubí.

Před zahájením veškerých prací na vrtacím šroubováků vyjmout výměnný akumulátor.

Použitě nevyhazujte do domovního odpadu nebo do ohně. Milwaukee nabízí ekologickou likvidaci starých článků, ptejte se u vašeho obchodníka s nářadím.

Náhradní akumulátor neskladujte s kovovými předměty, nebezpečí zkratu.

Akumulátor systému M12 nabíjejte pouze nabíječkou systému M12. Nenabíjejte akumulátory jiných systémů.

Náhradní akumulátory ani nabíječku neotvírejte, skladujte je v suchu, chraňte před vlhkem.

Při extrémní zátěži či vysoké teplotě může z akumulátoru vytékat kapalina. Při zasažení touto kapalinou okamžitě zasažená místa omyjte vodou a mýdlem. Při zasažení očí okamžitě důkladně po dobu alespoň 10min. omývat a neodkládně vyhledat lékaře.

Varování! Abyste zabránili nebezpečí požáru způsobeného zkratem, poraněním nebo poškozením výrobku, nepoňujte nářadí, výměnnou baterii nebo nabíječku do kapaliny a zajistěte, aby do zařízení a akumulátorů nevnikly žádné tekutiny. Korodující nebo vodivé kapaliny, jako je slaná voda, určité chemikálie a bělicí prostředky nebo výrobky, které obsahují bělidlo, mohou způsobit zkrat.

OBLAST VYUŽITÍ

Tento řezací nástroj je určen k řezání různých materiálů.

Toto zařízení lze používat jen pro uvedený účel.

Aby se minimalizovalo riziko poranění, používejte jen diamantové brusné kotouče typu 1 s maximální tloušťkou 3,2 mm, které je možné bezpečně provozovat s minimálními otáčkami 20 000 min⁻¹. Brusné kotouče typu 1 jsou vhodné pouze na broušení čelem kotouče a ne na rovinné broušení. Řiďte se všemi bezpečnostními pokyny, které byly dodány společně s rozbrušovacími kotouči.

Následující přehled použijte pro výběr vhodného brusného kotouče. V závislosti na materiálu je třeba použít různé brusné kotouče. Řiďte se pokyny k použití od výrobce brusného kotouče.

Typ kotouče	Na broušení
Karbidové brusné kotouče	Sádrokartonu, vláknocementu, plastu
Rozbrušovací kotouče	Oceli, ušlechtilé oceli, materiálů bez obsahu železa
Diamantové brusné kotouče	Obkladů, betonu, cihel, keramiky

CE-PROHLÁŠENÍ O SHODĚ

Výhradně na vlastní zodpovědnost prohlašujeme, že se výrobek popsany v „Technických údajích“ shoduje se všemi relevantními předpisy směrnice 2011/65/EU (RoHS), 2014/30/EU, 2006/42/ES a s následujícími harmonizovanými normativními dokumenty:

EN 60745-1:2009+A11:2010
EN 60745-2-22:2011+A11:2013
EN 55014-1:2017+A11:2020
EN 55014-2:2015
EN IEC 63000:2018

Winnenden, 2020-10-29



Alexander Krug
Managing Director



Zplnomocněn k sestavování technických podkladů.

Techtronic Industries GmbH
Max-Eyth-Straße 10
71364 Winnenden
Germany

AKUMULÁTORY

Děle nepoužívané akumulátory je nutné před použitím znovu nabít.

Teplota přes 50°C snižuje výkon akumulátoru. Chraňte před dlouhým přehříváním na slunci či u topení.

Kontakty nabíječky a akumulátoru udržujte v čistotě.

Optimální životnost akumulátorů se zajistí, když se po použití vždy plně nabijí.

K zabezpečení dlouhé životnosti by se akumulátory měly po nabití vyjmout z nabíječky.

Při skladování akumulátoru po dobu delší než 30 dní: Skladujte akumulátor v suchu při cca 27°C. Skladujte akumulátor při cca 30%-50% nabíjecí kapacitě. Opakujte nabíjení akumulátoru každých 6 měsíců.

OCHRANA PROTI PŘETÍŽENÍ AKUMULÁTORU

Akumulátorová sada je vybavena ochranou proti přetížení, která ji chrání a zaručuje její dlouhou životnost. Při extrémním zatížení elektronika akumulátoru elektrický nástroj vypne. K pokračování v práci nástroj vypnete a opět zapnete. V případě, že se motor nástroje ani potom nerozběhne, je akumulátorová sada pravděpodobně vybitá a musí se v nabíječce opět nabít.

PŘEPRAVA LITHIUM-IONTOVÝCH BATERIÍ

Lithium-iontové baterie spadají podle zákonných ustanovení pod přepravu nebezpečného nákladu.

Přeprava těchto baterií se musí realizovat s dodržováním lokálních, vnitrostátních a mezinárodních předpisů a ustanovení.

- Spotřebitelé mohou tyto baterie bez problémů přepravovat po komunikacích.
- Komerční přeprava lithium-iontových baterií prostřednictvím přepravních firem podléhá ustanovením o přepravě nebezpečného nákladu. Přípravu k vyexpedování a samotnou přepravu směji vykonávat jen příslušně vyškolené osoby. Na celý proces se musí odborně dohlížet.

Při přepravě baterií je třeba dodržovat následující:

- Zajistěte, aby kontakty byly chráněné a izolované, aby se zamezilo zkratům.
- Dávejte pozor na to, aby se svazek baterií v rámci balení nemohl sesmeknout.
- Poškozené a vyteklé baterie se nesmějí přepravovat.

Ohledně dalších informací se obraťte na vaši přepravní firmu.

ÚDRŽBA

Větrací štěrbinu nářadí udržujeme stále čisté.













Ujistěte se, že jste pilu odpojily od zdroje napájení před montáží a demontáží pilového kotouče.

Přístroj a ochranný kryt čistěte suchým hadříkem. Některé čisticí prostředky poškozují plast nebo jiné izolované části. Přístroj udržujte čistý, suchý a očištěný od vytekého oleje a maziva. Zkontrolujte funkčnost ochranných krytů. Pravidelná údržba a čištění zajistí dlouhou životnost a bezpečnou manipulaci.

Používat výhradně příslušenství Milwaukee a náhradní díly Milwaukee. Díly jejichž výměny nebyla popsána, nechte vyměnit v autorizovaném servisu (viz.“Záruky / Seznam servisních míst)

V případě potřeby si můžete v servisním centru pro zákazníky nebo přímo od firmy Techtronic Industries GmbH, Max-Eyth-Straße 10, 71364 Winnenden, Německo vyžádat schematický nářez jednotlivých dílů přístroje, když uvedete typ přístroje a šestimístné číslo na výkonovém štítku.

SYMBOLY

	POZOR! VAROVÁN! NEBEZPEČÍ!
	Před zahájením veškerých prací na vrtacím šroubováků vyjmout výměnný akumulátor.
	Před spuštěním stroje si pečlivě přečtete návod k používání.
	Používejte ochranné rukavice!
	Používejte chrániče sluchu !
	Při práci se strojem neustále nosit ochranné brýle. Používejte při práci vhodnou ochranou masku.
	Příslušenství není součástí dodávky, viz program příslušenství.
	Elektrická zařízení, baterie/akumulátory se nesmí likvidovat společně s odpadem z domácností. Elektrická zařízení, baterie/akumulátory je třeba sbírat odděleně a odevzdat je v recyklačním podniku na ekologickou likvidaci. Na místních úřadech nebo u vašeho specializovaného prodejce se informujte na recyklační podniky a sběrné dvory.
	Značka shody v Evropě
	Značka shody v Británii
	Značka shody na Ukrajině
	Značka shody pro oblast Eurasie

Výrobné číslo.....	4679 85 02...
.....	...000001-999999
Menovitý počet obrátok	20000 min ⁻¹



Hĺbka rezu	16,3 mm
Šírka rezu	min. 1 mm / max. 3,2 mm
Napätie výmenného akumulátora.....	12 V
Hmotnosť podľa vykonávacieho predpisu EPTA 01/2014 (6,0 Ah).....	1,3 kg
Odporúčaná okolitá teplota pri práci.....	-18...+50 °C
Odporúčané typy akumulaku.....	M12B2...M12B6
Odporúčané nabíjačky.....	C12C,M12C4, M12-18AC,M12-18C, M12-18C3, M12-18FC,...

Informácia o hluku / vibráciách (rezenie betónu)

Namerané hodnoty určené v súlade s EN 60 745.	
A-ohodnotená hladina akustického tlaku prístroja cíní	
Hladina akustického tlaku (Kolisavosť K=3dB(A)).....	105 dB (A)
Hladina akustického výkonu (Kolisavosť K=3dB(A)).....	94 dB (A)

Používajte ochranu sluchu!

Celkové hodnoty vibrácií (vektorový súčet troch smerov) zistené v zmysle EN 60745.	
Hodnota vibračných emisií a _{h,sc}	2,9 m/s ²
Kolisavosť K=.....	1,5 m/s ²

POZOR
Úroveň vibrácií uvedená v týchto pokynoch bola nameraná meracou metódou, ktorú stanovuje norma EN 60745 a je možné ju použiť na vzájomné porovnanie elektrického náradia. Hodí sa aj na predbežné posúdenie kmitavého namáhania.

Uvedená úroveň vibrácií reprezentuje hlavné aplikácie elektrického náradia. Ak sa však elektrické náradie používa pre iné aplikácie, s odlišnými vloženími nástrojmi alebo s nedostatočnou údržbou, môže sa úroveň vibrácií líšiť. Toto môže kmitavé namáhanie v priebehu celej pracovnej doby podstatne zvýšiť.

Pre presný odhad kmitavého namáhania by sa mali tiež zohľadniť doby, v ktorých je náradie vypnuté alebo je síce v chode, ale v skutočnosti sa nepoužíva. Toto môže kmitavé namáhanie v priebehu celej pracovnej doby zreteľne redukovať.

Stanovte dodatočné bezpečnostné opatrenia pre ochranu obsluhy pred účinkami vibrácií, ako napríklad: údržba elektrického náradia a vložných nástrojov, udržiavanie teploty rúk, organizácia pracovných postupov.

⚠ UPOZORNENIE! Prečítajte si všetky bezpečnostné pokyny a návody. Zanedbanie dodržiavania Výstražných upozornení a pokynov uvedených v nasledujúcom texte môže mať za následok zásah elektrickým prúdom, spôsobiť požiar a/alebo ťažké poranenie.
Tieto Výstražné upozornenia a bezpečnostné pokyny starostlivo uschovajte na budúce použitie.

⚠ BEZPEČNOSTNÉ POKYNY PRE KOTUČOVÉ PÍLY

a) Ochranný kryt patríaci k elektrickému náradiu musí byť bezpečne nasadený a nastavený tak, aby sa dosiahla maximálna miera bezpečnosti, t.j. aby bola najmenšia možná časť brúsneho kotúča na strane obsluhy odkrytá. Držte seba a osoby nachádzajúce sa v blízkosti mimo úrovne rotujúceho brúsneho kotúča. Ochranný kryt má obsluhu chrániť pred úlomkami a náhodným kontaktom s brúsnym kotúčom.

b) Používajte výhradne viazané spevnené alebo diamantom osadené rozbrusovacie kotúče pre vaše elektrické náradie. Len to, že príslušenstvo dokážete pripevniť na vaše elektrické náradie, nezaručuje jeho bezpečné použitie.

c) Prípustné otáčky pracovného nástroja musia byť minimálne také vysoké ako najvyššie otáčky uvedené na elektrickom náradí. Príslušenstvo, ktoré sa otáča rýchlejšie, sa môže zlomiť a rozletieť.

d) Brúsne telesá sa smú používať len pre príslušnú odporúčanú oblasť používania. Napr.: Nikdy nesmieme brúsiť bočnou plochou rezacieho kotúča. Rezacie kotúče sú určené na uberanie materiálu hranou kotúča. Pôsobenie bočnej sily na tento kotúč môže spôsobiť jeho zlomenie.

e) Vždy používajte nepoškodenú upínaciu prírubu so správnou veľkosťou pre vami zvolený rezný kotúč. Vhodné príruby podopierajú rezný kotúč a znižujú tak nebezpečenstvo zlomenia rezného kotúča.

f) Nepoužívajte žiadne opotrebované brúsne kotúče z väčšieho ručného elektrického náradia. Brúsne kotúče pre väčšie ručné elektrické náradie nie sú dimenzované pre vyššie obrátky menších ručných elektrických náradí a môžu sa rozlomiť.

g) Vonkajší priemer a hrúbka pracovného nástroja musí zodpovedať údajom o rozmeroch vášho elektrického náradia. Zle zmerané pracovné nástroje nemôžu byť dostatočne chránené alebo kontrolované.

h) Brúsne kotúče a príruby musia presne priliehať k vretenu brúsneho kotúča vášho elektrického náradia. Nasadené pracovné nástroje, ktoré presne nepriliehajú k vretenu brúsneho kotúča elektrického náradia, sa otáčajú nerovnomerne, veľmi silno vibrujú a môžu viesť k strate kontroly nad náradím.

i) Poškodené brúsne kotúče nepoužívajte. Pred každým použitím brúsne kotúče skontrolujte, či na nich nie sú odlúpnuté časti a trhliny. Keď elektrické náradie alebo brúsny kotúč spadne, tak skontrolujte, či nie sú poškodené, alebo použite nepoškodený brúsny kotúč. Keď ste si brúsny kotúč skontrolovali a nasadili ho späť, tak držte seba a osoby nachádzajúce sa v blízkosti mimo úrovne rotujúceho brúsneho kotúča a prístroj nechajte minútu bežať na najvyšších otáčkach. Poškodené brúsne kotúče počas doby testovania väčšinou prasknú.

j) Používajte osobné ochranné prostriedky. Podľa druhu použitia náradia používajte ochranný štít na celú

tvár, štít na oči alebo ochranné okuliare. Pokiaľ je to primerané, používajte ochrannú dýchaciu masku, chrániče sluchu, pracovné rukavice alebo špeciálnu zásteru, ktorá Vás uchráni pred odletujúcimi drobnými častočkami brusiva a obrábaného materiálu. Predovšetkým oči treba chrániť pred odletujúcimi cudzími telieskami, ktoré vznikajú pri rôznom spôsobe používania náradia. Ochrana proti prachu alebo ochranná dýchacia maska musia predovšetkým odfiltrovať konkrétny druh prachu, ktorý vzniká pri danom druhu použitia náradia. Keď je človek dlhšiu dobu vystavený hlasnému hluku, môže utrpieť stratu sluchu.

k) V prípade iných osôb dbajte na bezpečnú vzdialenosť k vašej pracovnej oblasti. Každý, kto vstúpi do pracovnej oblasti, musí nosiť osobné ochranné vybavenie. Úlomky obrobku alebo zlomené pracovné nástroje môžu odletieť a spôsobiť úrazy aj mimo priamej pracovnej oblasti.

l) Pri realizovaní prác, pri ktorých nástroj môže naraziť na skryté elektrické vedenia alebo na vlastný kábel, držte prístroj za izolované pridrôzovacie plošky. Kontakt rezného nástroja s vedením pod napätím môže viesť k prenosu napätia na kovové časti prístroja a k úrazu elektrickým prúdom.

m) Zabezpečte, aby sa prívodná šnúra nenachádzala v blízkosti rotujúcich pracovných nástrojov náradia. Ak stratíte kontrolu nad ručným elektrickým náradím, môže sa prerušiť alebo zachytiť prívodná šnúra a Vaša ruka a Vaše predlaktie sa môžu dostať do rotujúceho pracovného nástroja.

n) Elektrické náradie nikdy neodkladajte skôr, ako sa pracovný nástroj úplne zastaví. Otáčajúci sa pracovný nástroj sa môže dostať do styku s odkladacou plochou, čím môžete stratiť kontrolu nad elektrickým náradím.

o) Nikdy nemajte ručné elektrické náradie zapnuté vtedy, keď ho prenášate na iné miesto. Náhodným kontaktom Vašich vlasov alebo Vášho oblečenia s rotujúcim pracovným nástrojom by sa Vám pracovný nástroj mohol zavrtáť do tela.

p) Pravidelne čistite vetracie otvory svojho ručného elektrického náradia. Ventilátor motora vŕahaže do telesa náradia prach a veľké nahromadenie kovového prachu by mohlo spôsobiť vznik nebezpečného zásahu elektrickým prúdom.

q) Elektrické náradie nepoužívajte v blízkosti horľavých materiálov. Iskry môžu tieto materiály zapáliť.

r) Nepoužívajte žiadne pracovné nástroje, ktoré vyžadujú kvapalnú chladiacu prostriedky. Používanie vody alebo iných kvapalných chladiacich prostriedkov môže viesť k zásahu elektrickým prúdom.

Ďalšie bezpečnostné pokyny pre použitie rozbrusovačky

Spätňý raz a príslušné bezpečnostné pokyny
Spätňý raz je náhlou reakciou na zaseknutý alebo zablokovaný otáčajúci sa brúsny kotúč. Zaseknutie alebo zablokovanie vedie k náhlemu zastaveniu rotujúceho nasadeného pracovného nástroja. V dôsledku toho sa nekontrolovateľne elektrické náradie na zablokovanom mieste rozkrúti proti smeru otáčania nasadeného pracovného nástroja.

Keď sa napríklad brúsny kotúč vzpriechi alebo zablokuje v obrobku, môže sa hrana brúsneho kotúča, ktorá je zapichnutá do obrobku, zachytiť v materiáli a tým sa vylomit' z brúsneho taniera, alebo spôsobiť spätňý ráz náradia. Brúsny kotúč sa potom pohybuje smerom k osobe alebo smerom preč od nej podľa toho, aký bol smer otáčania kotúča na mieste zablokovania. Brúsne kotúče sa môžu v takomto prípade aj rozlomiť.

Spätňý ráz je následkom nesprávneho a chybného používania ručného elektrického náradia. Vhodnými preventívnymi opatreniami, ktoré popíšeme v nasledujúcom texte, mu možno zabrániť.

a) Ručné elektrické náradie vždy držte pevne a svoje telo a ruky udržiavajte vždy v takej polohe, aby ste vydržali prípadný spätňý ráz náradia. Pri každej práci používajte prídavnú rukoväť, ak ju máte k dispozícii, aby ste mali čo najväčšiu kontrolu nad silami spätňého rázu a vhodnými momentmi pri rozbehu náradia. Pomocou vrchných opatrení môže obsluhujúca osoba silu spätňého rázu a sily reakčných momentov zvládnuť.

b) Nikdy nedávajte ruku do blízkosti rotujúceho pracovného nástroja. Pri spätňom ráze by Vám mohol pracovný nástroj zasiahnuť ruku.

c) Vyhýbajte sa oblastiam pred a za rotujúcim rozbrusovacím kotúčom. Spätňý ráz vymrští ručné elektrické náradie proti smeru pohybu brúsneho kotúča na mieste zablokovania.

d) Mimoriadne opatrne pracujte v oblasti rohov, ostrých hrán a pod. Zabráňte tomu, aby obrobok vymrští pracovný nástroj proti Vám, alebo aby sa v ňom pracovný nástroj zablokoval. Rotujúci pracovný nástroj má sklon zablokovať sa v rohoch, na ostrých hranách alebo vtedy, keď je vyhodnotený. To spôsobí stratu kontroly nad náradím alebo jeho spätňý ráz.

e) Nepoužívajte žiadny reťazový alebo ozubený pílvy list ako ani segmentovaný diamantový kotúč s drážkami širšími ako 10 mm. Takéto pracovné nástroje často spôsobujú spätňý ráz alebo stratu kontroly nad elektrickým náradím.

f) Vyhýbajte sa zablokovaniu rezacieho kotúča alebo použitiu príliš veľkého prítaku. Nevykonávajte žiadne nadmierne hlboké rezy. Preťaženie rezacieho kotúča zvyšuje jeho namáhanie a náchylnosť na vzpriecenie alebo zablokovanie a tým zvyšuje aj možnosť vzniku spätňého rázu alebo zlomenia rezacieho kotúča.

g) Ak sa rezací kotúč zablokuje, alebo ak prerušíte prácu, ručné elektrické náradie vypnite a pokojne ho držte dovtedy, kým sa rezací kotúč úplne zastaví. Nepokúšajte sa vyberať rezací kotúč z rezu vtedy, keď ešte beží, pretože by to mohlo mať za následok vyvolanie spätňého rázu. Zistite príčinu zablokovania rezacieho kotúča a odstráňte ju.

h) Nikdy nezapínajte znova ručné elektrické náradie dovtedy, kým sa rezací kotúč nachádza v obrobku. Skôr ako budete opatrne pokračovať v reze, počkajte, kým dosiahne rezací kotúč maximálny počet obrátok. V opačnom prípade sa môže rezací kotúč zaseknúť, vyskočiť z obrobku alebo vyvolať spätňý ráz.

i) Veľké platne alebo veľkorozmerné obrobky pri rezaní podoprite, aby ste znížili riziko spätňého rázu zablokovaním rezacieho kotúča. Veľké obrobky sa môžu prehnúť následkom vlastnej hmotnosti. Obrobok treba podoprieť na oboch stranách, a to aj v blízkosti rezu aj na hrane.

j) Mimoriadne opatrný buďte pri rezaní výrezov do neznámych stien alebo do iných neprehľadných miest. Zapichovaný rezací kotúč môže pri zarezaní do plynového alebo vodovodného potrubia, do elektrického vedenia alebo iných objektov spôsobiť spätňý ráz.

ĎALŠIE BEZPEČNOSTNÉ A PRACOVNÉ POKYNY

Prípustné otáčky pracovného nástroja musia byť minimálne také vysoké ako najvyššie otáčky uvedené na elektrickom náradí. Príslušenstvo, ktoré sa otáča rýchlejšie, sa môže zlomiť a rozletieť.

Použite ochranné vybavenie. Pri práci s elektrickým náradím používajte vždy ochranné okuliare. Doporučujeme taktiež použitie súčastí ochranného odevu a ochrannéj obuvi, ako sú protiprašná maska, ochranné rukavice, pevná a nekľzajúca obuv, ochranná prilba a ochrana sluchu.

VÝSTRAHA Aby sa znížilo riziko zranenia pri prácach s výraznou tvorbou prachu, doporučame vám použiť riešenie na odsávanie prachu od spol. Milwaukee v súlade s návodom na obsluhu.

Prach vznikajúci pri práci môže byť škodlivý zdraviu. Pri práci nosiť vhodnú ochrannú masku, aby sa nedostal do ľudského organizmu.

Nesmú sa upravovať materiály, ktoré môžu spôsobiť ohrozenie zdravia (napr. azbest)

Pri zablokovaní nasadeného nástroja prístroj okamžite vypnite! Prístroj nezapínajte, pokiaľ je nasadený nástroj zablokovaný; mohol by pri tom vzniknúť spätný náraz s vysokým reakčným momentom. Príčinu zablokovania nasadeného nástroja zistite a odstráňte so zohľadnením bezpečnostných pokynov.

Možnými príčinami môžu byť:

- spríečenie v upravovanom obrobku
- prelomenie upravovaného materiálu
- preťaženie elektrického prístroja

Nezasahujte do bežiacieho stroja.

Nasadený nástroj sa počas používania môže rozhorúčiť.

- pri výmene nástroja
- pri odkladaní prístroja

Pri práci v stene, strope alebo v podlahe dávajte pozor na elektrické káble, plynové a vodovodné potrubia.

Pred každou prácou na stroji výmenný akumulátor vyťahnúť.

Opotrebované výmenné akumulátory nezahadzujte do ohňa alebo medzi domový odpad. Milwaukee ponúka likvidáciu starých výmenných akumulátorov, ktorá je v súlade s ochranou životného prostredia; informujte sa u Vášho predajcu.

Výmenné akumulátory neskladovať spolu s kovovými predmetmi (nebezpečenstvo skratu).

Výmenné akumulátory systému M12 nabíjať len nabíjacími zariadeniami systému M12. Akumulátory iných systémov týmto zariadením nenabíjať.

Výmenné akumulátory a nabíjacie zariadenia neotvárajte a skladovať len v suchých priestoroch. Chrániť pred vlhkosťou.

Pri extrémnych záťažach alebo extrémnych teplotách môže dôjsť k vytekaniu batérovej tekutiny z poškodeného výmenného akumulátora. Ak dôjde ku kontaktu pokožky s roztokom, postihnuté miesto umyť vodou a mydlom. Ak sa roztok dostane do očí, okamžite ich dôkladne vypláchnuť po dobu min. 10 min a bezodkladne vyhľadať lekára.

Varovanie! Aby ste zabránili nebezpečenstvu požiaru spôsobeného skratom, poraneniam alebo poškodeniam výrobku, neponárajte náradie, výmennú batériu alebo nabíjačku do kvapalín a postarajte sa o to, aby do zariadení a akumulátorov nevnikli žiadne tekutiny. Korodujúce alebo vodivé kvapaliny, ako je slaná voda, určité chemikálie a bieliace prostriedky alebo výrobky, ktoré obsahujú bieliadlo, môžu spôsobiť skrat.

POUŽITIE PODĽA PREDPISOV

Tento rezný nástroj je určený na rezanie rôznych materiálov.

Tento prístroj sa smie používať len v súlade s uvedenými predpismi.

Aby sa minimalizovalo riziko poranenia, používajte len diamantové brúsne kotúče typu 1 s maximálnou hrúbkou 3,2 mm, ktoré je možné bezpečne prevádzkovať s minimálnymi otáčkami 20 000 min⁻¹. Brúsne kotúče typu 1 sú vhodné len na brúsenie čelom kotúča a nie na rovinné brúsenie. Riadte sa všetkými bezpečnostnými pokynmi, ktoré boli dodané spolu s rozbrusovacími kotúčmi.

Nasledujúci prehľad použite na výber vhodného brúsneho kotúča. V závislosti od materiálu treba použiť rôzne brúsne kotúče. Riadte sa pokynmi na použitie od výrobcu brúsneho kotúča.

Typ kotúča	Na brúsenie
Karbidové brúsne kotúče	Sadrokartónu, vláknocementu, plastu
Rozbrusovacie kotúče	Ocele, ušľachtilej ocele, materiálov bez obsahu železa
Diamantové brúsne kotúče	Obkladov, betónu, tehli, keramiky

CE – VYHLÁSENIE KONFORMITY

Výhradne na vlastnú zodpovednosť vyhlasujeme, že výrobok popísaný v „Technických údajoch“ sa zhoduje so všetkými relevantnými predpismi smernice 2011/65/EU (RoHS), 2014/30/EU, 2006/42/EC a nasledujúcimi harmonizujúcimi normatívnymi dokumentmi:

EN 60745-1:2009+A11:2010
EN 60745-2-22:2011+A11:2013
EN 55014-1:2017+A11:2020
EN 55014-2:2015
EN IEC 63000:2018

Winnenden, 2020-10-29



Alexander Krug
Managing Director



Splnomocnený zostaviť technické podklady.

Techtronic Industries GmbH
Max-Eyth-Straße 10
71364 Winnenden
Germany

Splnomocnený zostaviť technické podklady.

AKUMULÁTORY

Dlhší čas nepoužívané výmenné akumulátory pred použitím dobíť.

Teplota vyššia ako 50°C znižuje výkon výmenného akumulátora. Zabráňte dlhšiemu ohriatiu slnkom alebo kúrením.

Pripájacie kontakty na nabíjacom zariadení a výmennom akumulátore udržiavať čisté.

K zachovaniu optimálnej životnosti sa baterie musejú po použití vždy úplne dobíť.

K zabezpečeniu dlhej životnosti by sa akumulátory mali po nabití vybrať z nabíjačky.

Pri skladovaní akumulátora po dobu dlhšiu než 30 dní: Skladujte akumulátor v suchu pri cca 27°C.

Skladujte akumulátor pri cca 30%-50% nabíjacej kapacite. Opakujte nabíjanie akumulátora každých 6 mesiacov.

OCHRANA PROTI PREŤAŽENIU AKUMULÁTORA

Akumulátorová sada je vybavená ochranou proti preťaženiu, ktorá ju chráni a zaručuje jej dlhú životnosť.

Pri extrémnom zaťažení elektronika akumulátora elektrický nástroj vypne. K pokračovaniu v práci nástroj vypnite a opäť zapnite. V prípade, že sa motor nástroja ani potom nerozbehne, je akumulátorová sada pravdepodobne vybitá a musí sa v nabíjačke opäť nabiť.

PREPRAVA LÍTIOVO-IÓNOVÝCH BATÉRIÍ

Lítiovo-iónové batérie podľa zákonných ustanovení spadajú pod prepravu nebezpečného nákladu.

Preprava týchto batérií sa musí realizovať s dodržiavaním lokálnych, vnútroštátnych a medzinárodných predpisov a ustanovení.

- Spotrebiteľia môžu tieto batérie bez problémov prepravovať po cestách.
- Komerčná preprava lítiovo-iónových batérií prostredníctvom špedičných firiem podlieha ustanoveniam o preprave nebezpečného nákladu. Prípravu k vyexpedovaniu a samotnú prepravu smú vykonávať iba adekvátne vyškolené osoby. Na celý proces sa musí odborné dohliadať.

Pri preprave batérií treba dodržiavať nasledovné:

- Zabezpečte, aby boli kontakty chránené a izolované, aby sa zamedzilo skratom.
- Dávajte pozor na to, aby sa zväzok batérií v rámci balenia nemohol zošmyknúť.
- Poškodené a vytečené batérie sa nesmú prepravovať.

Kvôli ďalším informáciám sa obráťte na vašu špedičnú firmu.

ÚDRZBA

Vetracie otvory udržiavať stále v čistote.

Vždy odpojte nástroj od elektrickej siete pred montážou alebo demontážou ostria píly.

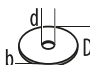
Prístroj a ochranné zariadenie čistite suchou handričkou. Niektoré čistiace prostriedky poškodzujú plast alebo iné izolované časti. Prístroj udržiavajte čistý a suchý, ako aj bez uniknutého oleja a maziva. Skontrolujte funkčnosť ochranných krytov. Pravidelná údržba a čistenie sa postarajú o dlhú životnosť a bezpečnú manipuláciu.

Používať len Milwaukee príslušenstvo a Milwaukee náhradné diely. Súčiastky bez návodu na výmenu treba dat vymeniť v jednom z Milwaukee zákazníckych centier (viď brožúru Záruka/Adresy zákazníckych centier).

V prípade potreby si môžete v servisnom centre pre zákazníkov alebo priamo od firmy Techtronic Industries GmbH, Max-Eyth-Straße 10, 71364 Winnenden, Nemecko, vyžiadať schematický náčrt jednotlivých dielov prístroja pri uvedení typu prístroja a šesťmiestneho čísla na výkonovom štítku.

SYMBOLY

	POZOR! NEBEZPEČENSTVO!
	Pred každou prácou na stroji výmenný akumulátor vyťahnúť.
	Pred prvým použitím prístroja si pozorne prečítajte návod na obsluhu.
	Používajte ochranné rukavice!
	Používajte ochranu sluchu!
	Pri práci so strojom vždy noste ochranné okuliare. Pri práci nosiť vhodnú ochrannú masku, aby sa nedostal do ľudského organizmu.
	Príslušenstvo - nie je súčasťou štandardnej výbavy, odporúčané doplnenie z programu príslušenstva.
	Elektrické zariadenia, batérie/akumulátory sa nesmú likvidovať spolu s odpadom z domácnosti. Elektrické zariadenia, batérie/akumulátory treba zbierať oddelene a odovzdať ich v recyklačnom podniku na ekologickú likvidáciu. Na miestnych úradoch alebo u vášho špecializovaného predajcu sa spýtajte na recyklačné podniky a zberné dvory.
	Značka zhody v Európe
	Značka zhody v Británii
	Značka zhody na Ukrajine
	Značka zhody pre oblasť Eurázie

DANE TECHNICZNE	PRZECINARKI	M12 FCOT
Numer produkcyjny.....	4679 85 02... ...000001-999999	
Znamionowa prędkość obrotowa.....	20000 min ⁻¹	
	D=Średnica tarczy tnącej 76 mm d=średnica otworu obrobionego 10 mm b=Grubość tarczy tnącej min. / maks. 1 mm / 3,2 mm	
Głębokość cięcia:	16,3 mm	
Szerokość cięcia.....	min. 1 mm / max. 3,2 mm	
Napięcie baterii akumulatorowej.....	12 V	
Ciężar wg procedury EPTA 01/2014 (6,0 Ah).....	1,3 kg	
Zalecana temperatura otoczenia w trakcie pracy.....	-18...+50 °C	
Zalecane rodzaje akumulatora	M12B2...M12B6	
Zalecane ładowarki.....	C12C,M12C4, M12-18AC,M12-18C, M12-18C3, M12-18FC,...	

Informacja dotycząca szumów/wibracji (cięcie betonu)
 Zmierzone wartości wyznaczone zgodnie z normą EN 60 745.
 Typowy poziom ciśnienia akustycznego mierzony wg krzywej A:
 Poziom ciśnienia akustycznego (Niepewność K=3dB(A)) 105 dB (A)
 Poziom mocy akustycznej (Niepewność K=3dB(A))..... 94 dB (A)
Należy używać ochraniać uszu!

Wartości łączne drgań (suma wektorowa trzech kierunków)
 wyznaczone zgodnie z normą EN 60745
 Wartość emisji drgań a_{h,SG}..... 2,9 m/s²
 Niepewność K=..... 1,5 m/s²

OSTRZEŻENIE

Podany w niniejszych instrukcjach poziom drgań został zmierzony za pomocą metody pomiarowej zgodnej z normą EN 60745 i może być użyty do porównania ze sobą elektronarzędzi. Nadaje się on również do tymczasowej oceny obciążenia wibracyjnego.

Podany poziom drgań reprezentuje główne zastosowania elektronarzędzia. Jeśli jednakże elektronarzędzie użyte zostanie do innych celów z innymi narzędziami roboczymi lub nie jest dostatecznie konserwowane, wtedy poziom drgań może wykazywać odchylenia. Może to wyraźnie zwiększyć obciążenie wibracjami przez cały okres pracy.

Dla dokładnego określenia obciążenia wibracjami należy uwzględnić również czasy, w których urządzenie jest wyłączone względnie jest włączone, lecz w rzeczywistości nie pracuje. Może to spowodować wyraźną redukcję obciążenia wibracyjnego w całym okresie pracy.

Należy wprowadzić dodatkowe środki zapobiegawcze celem ochrony obsługującego przed oddziaływaniem drgań, jak na przykład: konserwacja narzędzi roboczych i elektronarzędzi, nagrzanie rąk, organizacja przebiegu pracy.

OSTRZEŻENIE! Należy przeczytać wszystkie wskazówki dotyczące bezpieczeństwa i instrukcje. Błędy w przestrzeganiu poniższych wskazówek mogą spowodować porażenie prądem, pożar i/lub ciężkie obrażenia ciała.
Należy starannie przechowywać wszystkie przepisy i wskazówki bezpieczeństwa dla dalszego zastosowania.

WSKAZÓWKI DOTYCZĄCE BEZPIECZEŃSTWA DLA PIŁ TARCZOWYCH

- a) Należący do elektronarzędzia kołpak ochrony musi być założony w sposób pewny i nastawiony w taki sposób, żeby zostało osiągnięte maksimum bezpieczeństwa, tzn. żeby ku osobie obsługującej maszynę skierowana była jak najmniejsza część otwarta ściernicy. Zarówno obsługa jak i osoby znajdujące się w pobliżu powinny trzymać się poza płaszczyznę wirującą ściernicy. Kołpak ochronny powinien chronić osobę obsługującą maszynę przed odłamkami oraz przypadkową stycznością ze ściernicą.
- b) Do elektronarzędzi używać wyłącznie tarcz tnących ze spoiwem o zwiększonej wytrzymałości lub tarcz tnących diamentowych. Sam fakt, że możesz zamocować osprzęt na swoim elektronarzędziu, nie gwarantuje żadnego bezpiecznego użytkowania.
- c) Dopuszczalna liczba obrotów osprzętu musi być przynajmniej tak wysoka, jak maksymalna liczba obrotów podana na urządzeniu elektrycznym. Osprzęt, który obraca się szybciej niż jest to dozwolone, może pęknąć i zostać ciśnięty w powietrze.
- d) Ściernic można używać tylko do prac dla nich przewidzianych. Nie należy np. nigdy szlifować boczna

powierzchnią ściernicy tarczowej do cięcia. Tarczowe ściernice tnące przeznaczone są do usuwania materiału krawędzią tarczy. Wpływ sił bocznych na te ściernice może je zlamać.

e) Korzystać tylko z nieuszkodzonych kołnierzy mocujących, dopasowanych wielkością do danej tarczy tnącej. Prawidłowo dobrane kołnierze podpierają tarczę tnącą zmniejszając w ten sposób ryzyko jej złamania.

f) Nie należy używać zużytych ściernic z większych elektronarzędzi. Ściernice do większych elektronarzędzi nie są zaprojektowane dla wyższej liczby obrotów, która jest charakterystyką mniejszych elektronarzędzi i mogą się dlatego zlamać.

g) Średnica zewnętrzna oraz grubość osprzętu tnącego musi odpowiadać wymiarom ustalonym dla stosowanego urządzenia elektrycznego. Osprzęt o nieprawidłowych wymiarach nie może być dostatecznie osłaniany ani kontrolowany.

h) Tarcze szlifierskie oraz kołnierze muszą być dokładnie dopasowane do wrzeciona ściernicy elektronarzędzia. Narzędzia nasadzone, które nie pasują dokładnie do wrzeciona ściernicy, obracają się nierównomiernie, bardzo silnie wibrują i mogą prowadzić do utraty kontroli nad narzędziem.

i) Nie należy użytkować żadnych uszkodzonych ściernic. Przed każdym użyciem należy skontrolować ściernice pod względem odprysków i pęknięć. Jeżeli elektronarzędzie lub ściernica spadnie, to należy sprawdzić, czy nie została ona uszkodzona lub użyć nieuszkodzonej ściernicy. Po skontrolovaniu i nasadzeniu ściernicy zarówno obsługa jak i osoby znajdujące się w pobliżu powinny trzymać się poza płaszczyznę wirującej ściernicy i należy pozwolić, żeby urządzenie pracowało przez minutę na najwyższych obrot-

ach. Uszkodzone ściernice przeważnie pękają w trakcie tego czasu testowego.

j) **Należy nosić osobiste wyposażenie ochronne. W zależności od rodzaju pracy, należy nosić maskę ochronną pokrywającą całą twarz, ochronę oczu lub okulary ochronne. W razie potrzeby należy użyć maski przeciwpyłowej, ochrony słuchu, rękawic ochronnych lub specjalnego fartucha, chroniącego przed małymi cząstkami ściernego i obrabianego materiału.** Należy chronić oczy przed unoszącymi się w powietrzu ciałami obcymi, powstałymi w czasie pracy. Maski przeciwpyłowa i ochronna dróg oddechowych muszą filtrować powstający podczas pracy pył. Oddziaływanie hałasu przez dłuższy okres czasu, może doprowadzić do utraty słuchu.

k) **Zwrócić uwagę na to, aby osoby postronne również zachowywały bezpieczny odstęp od stanowiska pracy operatora urządzenia. Każdy, kto znajduje się w obrębie stanowiska pracy, musi posiadać odzież ochronną.** Odłamki obrabianego materiału oraz uszkodzony osprzęt może wirować w powietrzu i być źródłem skałeczeń także poza głównym obszarem pracy.

l) **Trzymaj urządzenie za izolowane powierzchnie chwytne gdy wykonujesz roboty, w trakcie których narzędzie skrawające może natrafić na ukryte przewody prądowe lub na własny kabel.** Styczność narzędzia skrawającego z będnącym pod napięciem przewodem może spowodować podłączenie części metalowych urządzenia do napięcia i prowadzić do porażenia prądem elektrycznym.

m) **Przewód sieciowy należy trzymać z dala od obracających się narzędzi roboczych.** W przypadku utraty kontroli nad narzędziem, przewód sieciowy może zostać przecięty lub wciągnięty, a dłoń lub cała ręka mogą dostać się w obracające się narzędzie robocze.

n) **Nigdy nie odkładaj urządzenia zanim obrotowy osprzęt tnący całkowicie się nie zatrzyma.** Obracające się narzędzia mogłyby nawiązać kontakt z powierzchnią, na którą zostały odłożone, przez co operator mógłby stracić kontrolę nad urządzeniem.

o) **Nie wolno przenosić elektronarzędzia, znajdującego się w ruchu.** Przypadkowy kontakt ubrania z obracającym się narzędziem roboczym może spowodować jego wciągnięcie i wwiernienie się narzędzia roboczego w ciało osoby obsługującej.

p) **Należy regularnie czyścić szczeliny wentylacyjne elektronarzędzia.** Dmuchawca silnika wciąga kurz do obudowy, a duże nagromadzenie pyłu metalowego może spowodować zagrożenie elektryczne.

q) **Nie korzystać z urządzenia elektrycznego w pobliżu materiałów palnych.** Iskry mogłyby bowiem doprowadzić do ich zapalenia się.

r) **Nie korzystać z osprzętu wymagającego użycia płynnych czynników chłodzących.** Korzystanie z wody lub innych płynnych czynników chłodzących może prowadzić do porażenia prądem.

Dalsze wskazówki dotyczące bezpieczeństwa dla stosowania ściernic przecinających.

Odrzut i związane z nim wskazówki bezpieczeństwa
 Odrzut jest nagłą reakcją powstałą wskutek zacięcia lub zakleszczenia obracającej się ściernicy. Zacięcia lub zakleszczenie prowadzi do nagłego zastopowania wirującego narzędzia nasadzanego. Wskutek tego niekontrolowane elektronarzędzie zostaje przyspieszone w kierunku przeciwnym do obrotów narzędzia nasadzanego w miejscu blokady.

Gdy, np. ściernica zatnie się lub zakleszczy w obrabianym przedmiocie, zanurzona w materiale krawędź ściernicy, może się zablokować i spowodować jej wypadnięcie lub odrzut. Ruch ściernicy (w kierunku osoby obsługującej lub od niej) uzależniony jest wtedy od kierunku ruchu ściernicy w miejscu zablokowania. Oprócz tego ściernice mogą się również zlamać.

Odrzut jest następstwem niewłaściwego lub błędnego użycia elektronarzędzia. Można go uniknąć przez zachowanie opisanych poniżej odpowiednich środków ostrożności.

a) **Elektronarzędzie należy mocno trzymać, a ciało i ręce ustawić w pozycji, umożliwiającej ziągodzenie odrzutu.** Jeżeli w skład wyposażenia standardowego wchodzi uchwyt dodatkowy, należy go zawsze używać, żeby mieć jak największą kontrolę nad siłami odrzutu lub momentem odwodzącym podczas rozruchu. Osoba obsługująca urządzenie może opanować szarpnięcia i zjawisko odrzutu poprzez zachowanie odpowiednich środków ostrożności.

b) **Nie należy nigdy trzymać rąk w pobliżu obracających się narzędzi roboczych.** Narzędzie robocze może wskutek odrzutu zranić rękę.

c) **Unikaj obszaru przed i za wirującą ściernicą.** Odrzut napędza elektronarzędzie w kierunku przeciwnym do ruchu ściernicy w miejscu zablokowania.

d) **Szczególnie ostrożnie należy obrabiać narożniki, ostre krawędzie itd. Należy zapobiegać temu, by narzędzia robocze zostały odbite lub by się one zablokowały.** Obracające się narzędzie robocze jest bardziej podatne na zakleszczenie przy obróbce kątów, ostrych krawędzi lub gdy zostanie odbite. Może to stać się przyczyną utraty kontroli lub odrzutu.

e) **Nie należy używać żadnego brzeszczotu do pił łańcuchowych lub brzeszczotu ząbkowanego ani żadnej segmentowej tarczy diamentowej o szczelinach większych niż 10 mm.** Takie narzędzia nasadzone powodują często odrzut lub utratę kontroli nad elektronarzędziem.

f) **Należy unikać zablokowania się tarczy tnącej lub za dużego nacisku. Nie należy przeprowadzać nadmiernie głębokich cięć.** Przeciążenie tarczy tnącej podwyższa jej obciążenie i jej skłonność do zakleszczenia się lub zablokowania i tym samym możliwość odrzutu lub złamania się tarczy.

g) **W przypadku zakleszczenia się tarczy tnącej lub przerwy w pracy, elektronarzędzie należy wyłączyć i odczekać, aż tarcza całkowicie się zatrzyma. Nigdy nie należy próbować wyciągać poruszającej się jeszcze tarczy z miejsca cięcia, gdyż może to wywołać odrzut.** Należy wykryć i usunąć przyczynę zakleszczenia się.

h) **Nie włączać ponownie elektronarzędzia, dopóki znajduje się ono w materiale.** Przed kontynuacją cięcia, tarcza tnąca powinna osiągnąć swoją pełną prędkość obrotową. W przeciwnym wypadku ściernica może się zacczeplić, wyskoczyć z przedmiotu obrabianego lub spowodować odrzut.

i) **Płyty lub duże przedmioty należy przed obróbką podeprzeć, aby zmniejszyć ryzyko odrzutu, spowodowanego przez zakleszczoną tarczę.** Duże przedmioty mogą się ugiąć pod ciężarem własnym. Obrabiany przedmiot należy podeprzeć z obydwu stron, zarówno w pobliżu linii cięcia jak i przy krawędzi.

j) **Zachować szczególną ostrożność przy wycinaniu otworów w ścianach lub operowaniu w innych niewidocznych obszarach.** Wgłębiająca się w materiał tarcza tnąca może spowodować odrzut narzędzia po natrafieniu na inne przedmioty.

DODATKOWE WSKAZÓWKI BEZPIECZEŃSTWA I INSTRUKCJE ROBOCZE

Dopuszczalna liczba obrotów osprzętu musi być przynajmniej tak wysoka, jak maksymalna liczba obrotów podana na urządzeniu elektrycznym. Osprzęt, który obraca się szybciej niż jest to dozwolone, może pęknąć i zostać ciśnięty w powietrze.

Stosować wyposażenie ochronne. Przy pracy maszyną zawsze nosić okulary ochronne. Zalecana jest odzież

ochronna, jak maska pyłochronna, rękawice ochronne, mocne i chroniące przed poślizgiem obuwie, kask i ochronniki słuchu.

OSTRZEŻENIE Aby zminimalizować ryzyko obrażeń w trakcie prac, przy których powstaje dużo pyłu, zalecamy korzystać z rozwiązań Milwaukee do odpylania zgodnie z instrukcją obsługi.

Kurz powstający przy pracy z tym elektronarzędziem może być szkodliwy dla zdrowia, w związku z tym nie powinien dotrzeć do ciała. Nosić odpowiednią maskę przeciwpyłową. Nie wolno obrabiać materiałów, które mogą być przyczyną zagrożenia zdrowia (na przykład azbestu).

W przypadku zablokowania narzędzia nasadzanego należy natychmiast wyłączyć urządzenie! Nie należy ponownie włączać urządzenia tak długo, jak długo narzędzie nasadzone jest zablokowane; przy tym mógłby powstać odrzut zwrotny o dużym momencie reakcyjnym. Należy wykrzyć i usunąć przyczynę zablokowania narzędzia nasadzanego uwzględniając wskazówki dotyczące bezpieczeństwa.

Możliwymi przyczynami tego mogą być:

- Skośne ustawienie się w poddawanych obróbce przedmiocie obrabianym
- Przerwanie materiału poddawanego obróbce
- Przeciążenie narzędzia elektrycznego

Nie należy sięgać do wnętrza maszyny będącej w ruchu.

Narzędzie nasadzone może w trakcie użytkowania stać się gorące.

- przy wymianie narzędzia
- przy odstawianiu urządzenia

Podczas pracy przy ścianach, sufitach i podłodze należy uważać na kable elektryczne, przewody gazowe i wodociągowe.

Przed przystąpieniem do jakichkolwiek prac na elektronarzędziu należy wyjąć wkładkę akumulatorową.

Zużytych akumulatorów nie wolno wrzucać do ognia ani traktować jako odpadów domowych. Milwaukee oferuje ekologiczną utylizację zużytych akumulatorów.

Nie przechowywać akumulatorów wraz z przedmiotami metalowymi (niebezpieczeństwo zwarcia).

Akumulatory Systemu M12 należy ładować wyłącznie przy pomocy ładowarek Systemu M12. Nie ładować przy pomocy tych ładowarek akumulatorów innych systemów.

Nie otwierać wkładek akumulatorowych i ładowarek. Przechowywać w suchych pomieszczeniach. Chronić przed wilgocią.

W skrajnych warunkach temperaturowych lub przy bardzo dużym obciążeniu może dochodzić do wycieku kwasu akumulatorowego z uszkodzonych baterii akumulatorowych. W przypadku kontaktu z kwasem akumulatorowym należy natychmiast przemyć miejsce kontaktu wodą z mydłem. W przypadku kontaktu z oczami należy dokładnie przepłukać oczy przynajmniej przez 10 minut i zwrócić się natychmiast o pomoc medyczną.

Ostrzeżenie! Aby uniknąć niebezpieczeństwa pożaru, obrażeń lub uszkodzeń produktu na skutek zwarcia, nie wolno zanurzać narzędzia, akumulatora wymiennego ani ładowarki w cieczach i należy zatroszczyć się o to, aby do urządzeń i akumulatorów nie dostały się żadne ciecze. Zwarcie spowodować mogą korodujące lub przewodzące ciecze, takie jak woda morska, okrzężone chemikalia i wybielacze lub produkty zawierające wybielacze.

WARUNKI UŻYTKOWANIA

To narzędzie odcinające jest przeznaczone do cięcia różnych materiałów.

Produkt można użytkować wyłącznie zgodnie z jego normalnym przeznaczeniem.

Aby zminimalizować ryzyko obrażeń, należy używać jedynie ściernic diamentowych typu 1 o maksymalnej grubości 3,2 mm, które zapewniają bezpieczną pracę przy minimalnej liczbie obrotów 20 000 min⁻¹. Ściernice typu 1 nadają się wyłącznie do szlifowania bocznego, nie natomiast do szlifowania powierzchni. Należy przestrzegać wszelkich wskazówek bezpieczeństwa dostarczanych wraz z ściernicami tarczowymi do cięcia.

Aby wybrać odpowiednią ściernicę, należy zapoznać się z poniższym zestawieniem. Konieczne jest zastosowanie różnych ściernic w zależności od materiału. Należy przestrzegać instrukcji obsługi producenta ściernicy.

Typ ściernicy	Do szlifowania
Ściernica karbowana	Karton-gipsu, cementu włókniściego, tworzywa sztucznego
Ściernica tarczowa do cięcia	Stali, stali nierdzewnej, tworzyw niezawierających żelaza
Ściernica diamentowa	Płytek, betonu, cegieł, ceramiki

DEKLARACJA ZGODNOŚCI CE

Oświadczamy na naszą wyłączną odpowiedzialność, że produkt opisany w punkcie „Dane techniczne” jest zgodny ze wszystkimi istotnymi przepisami Dyrektywy 2011/65/EU (RoHS), 2014/30/UE, 2006/42/WE oraz z następującymi zharmonizowanymi dokumentami normatywnymi:

EN 60745-1:2009+A11:2010
EN 60745-2-22:2011+A11:2013
EN 55014-1:2017+A11:2020
EN 55014-2:2015
EN IEC 63000:2018

Winnenden, 2020-10-29

Alexander Krug
Managing Director



Uppełnomocniony do zestawienia danych technicznych

Techtronic Industries GmbH
Max-Eyth-Straße 10
71364 Winnenden
Germany

BATERIE AKUMULATOROWE

Akumulatory, które nie były przez dłuższy czas użytkowane, należy przed użyciem naładować.

W temperaturze powyżej 50°C następuje spadek osiągniętych wkładki akumulatorowej. Unikaj długotrwałego wystawienia na oddziaływanie ciepła lub promieni słonecznych (niebezpieczeństwo przegrzania).

Styki ładowarek i wkładek akumulatorowych należy utrzymywać w czystości

W celu zagwarantowania optymalnej żywotności należy po zakończonej eksploatacji naładować akumulatory do pełna.

Dla zapewnienia możliwie długiej żywotności akumulatory należy wyjąć z ładowarki po ich naładowaniu.

W przypadku składowania akumulatorów dłużej aniżeli 30 dni:

Przechowywać je w suchym miejscu w temperaturze ok. 27°C.

Przechowywać je w stanie naładowanym do ok. 30% - 50%. Ładować je ponownie co 6 miesięcy.

ZABEZPIECZENIE PRZECIĄŻENIOWE AKUMULATORA

Pakiet akumulatorowy jest wyposażony w zabezpieczenie przed przeciążeniem, które chroni akumulator przed przeciążeniem i zapewnia jego dużą żywotność. Przy ekstremalnie silnym narażeniu elektronika akumulatora automatycznie wyłącza maszynę. Aby kontynuować pracę należy wyłączyć i ponownie włączyć maszynę. Jeżeli nie nastąpiłby ponowny rozruch maszyny, to możliwe, że pakiet akumulatorowy jest wyładowany i musi zostać ponownie naładowany w ładowarce.

TRANSPORT AKUMULATORÓW LITOWO-JONOWYCH

Akumulatory litowo-jonowe podlegają ustawowym przepisom dotyczącym transportu towarów niebezpiecznych.

Transport tych akumulatorów winien odbywać się przy przestrzeganiu lokalnych, krajowych i międzynarodowych rozporządzeń i przepisów.

- Odbiorcom nie wolno transportować tych akumulatorów po drogach o tak po prostu.
- Komercyjny transport akumulatorów litowo-jonowych przez przedsiębiorstwa spedycyjne podlega przepisom dotyczącym transportu towarów niebezpiecznych. Przygotowania do wysyłki oraz transport mogą być wykonywane wyłącznie przez odpowiednio przeszkolone osoby. Cały proces winien odbywać się pod fachowym nadzorem.

W czasie transportu akumulatorów należy przestrzegać następujących punktów:

- Celem uniknięcia zwarcia należy upewnić się, że zestyki są zabezpieczone i zaizolowane.
- Zwracać uwagę na to, aby zespół akumulatorów nie mógł się przemieszczać we wnętrzu opakowania.
- Nie wolno transportować akumulatorów uszkodzonych lub z wyciekającym z elektrolitem.

Odnośnie dalszych wskazówek należy zwrócić się do swojego przedsiębiorstwa spedycyjnego.

UTRZYMANIE I KONSERWACJA

Otwory wentylacyjne elektronarzędzia muszą być zawsze drożne.

Należy pamiętać, aby przed założeniem lub zdjęciem tarczy tnącej wyjąć wtyczkę z gniazda sieciowego.

Oczyszczyć urządzenie i elementy zabezpieczające za pomocą suchej ściereczki. Niektóre środki czyszczące powodują uszkodzenie tworzywa sztucznego lub innych izolowanych części. Utrzymywać urządzenie w stanie czystym i suchym oraz wolnym od wyciekającego oleju i smaru. Sprawdzić działanie osłon. Regularna konserwacja i czyszczenie przyczyniają się do wydłużonej trwałości i bezpiecznego użytkowania.

Używać tylko i wyłącznie wyposażenia dodatkowego Milwaukee i części zamiennych Milwaukee. Gdyby trzeba było wymienić części, które nie zostały opisane, należy skontaktować się z przedstawicielem serwisu Milwaukee (patrz wykaz adresów punktów usługowych/gwarancyjnych).

W razie potrzeby można zamówić rysunek urządzenia w rozłożeniu na części podając typ maszyny oraz sześciopozycyjny numer na tabliczce znamionowej w Punkcie Obsługi Klienta lub bezpośrednio w firmie Techtronic Industries GmbH, Max-Eyth-Straße 10, 71364 Winnenden, Germany.

SYMBOLE



UWAGA! OSTRZEŻENIE
NIEBEZPIECZESTWO!



Przed przystąpieniem do jakichkolwiek prac na elektronarzędziu należy wyjąć wkładkę akumulatorową.



Przed uruchomieniem elektronarzędzia zapoznać się uważnie z treścią instrukcji.



Nosić rękawice ochronne!



Należy używać ochroniaczy uszu!



Podczas pracy należy zawsze nosić okulary ochronne.

Nosić odpowiednią maskę przeciwpyłową.



Wyposażenie dodatkowe dostępne osobno.



Urządzenia elektryczne, baterie/akumulatory nie mogą być usuwane razem z odpadami pochodzącymi z gospodarstw domowych.

Urządzenia elektryczne i akumulatory należy gromadzić oddzielnie i w celu usuwania ich do odpadów zgodnie z wymaganiami środowiska naturalnego oddawać do przedsiębiorstwa utylizacyjnego.

Proszę zasięgnąć informacji o centrach recyklingowych i punktach zbiorczych u władz lokalnych lub u wyspecjalizowanego dostawcy.



Europejski Certyfikat Zgodności



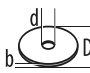
Brytyjski Certyfikat Zgodności



Ukraiński Certyfikat Zgodności



Euroazjatycki Certyfikat Zgodności

MŰSZAKI ADATOK	SAROKCSISZOLÓT	M12 FCOT
Gyártási szám.....	4679 85 02... ...000001-999999	
Névleges fordulatszám	20000 min ⁻¹	
	D=Vágókorong-ø 76 mm d=furat ø 10 mm b=A vágókorong átmérője min. / max..... 1 mm / 3,2 mm	
Vágásmélység	16,3 mm	
Vágás szélesség	min. 1 mm / max. 3,2 mm	
Akkumulátor feszültség	12 V	
Súly a 01/2014 EPTA-eljárás szerint (6,0 Ah)	1,3 kg	
Ajánlott környezeti hőmérséklet munkavégzésnél.....	-18...+50 °C	
Ajánlott akkutípusok	M12B2...M12B6	
Ajánlott töltőkészülékek.....	C12C,M12C4, M12-18AC,M12-18C, M12-18C3, M12-18FC,...	

Zaj-/Vibráció-információ (beton vágása)
A közötti értékek megfelelnek az EN 60 745 szabványnak.

Szabvány szerinti A-értékelés hangszint:
Hangnyomás szint (K bizonytalanság=3dB(A))..... 105 dB (A)
Hangteljesítmény szint (K bizonytalanság=3dB(A))..... 94 dB (A)
Hallásvédő eszköz használata ajánlott!

Összesített rezgésértékek (három irány vektoriális összege) az EN 60745-nek megfelelően meghatározva.

a_{h,sc} rezgésemisszió érték..... 2,9 m/s²
K bizonytalanság = 1,5 m/s²

FIGYELMEZTETÉS

A jelen utasításokban megadott rezgésszint értéke az EN 60745-ben szabályozott mérési eljárásnak megfelelően került lemerésre, és használható elektromos szerszámokkal történő összehasonlításhoz. Az érték alkalmas a rezgésterhelés előzetes megbecsülésére is.

A megadott rezgésszint-érték az elektromos szerszám legfőbb alkalmazásait reprezentálja. Ha az elektromos szerszámot azonban más alkalmazásokhoz, eltérő használt szerszámokkal vagy nem elegendő karbantartással használják, a rezgésszint értéke eltérő lehet. Ez jelentősen megnövelheti a rezgésterhelést a munkavégzés teljes időtartama alatt.

A rezgésterhelés pontos megbecsüléséhez azokat az időket is figyelembe kell venni, melyekben a készülék lekapcsolódik, vagy ugyan működik, azonban ténylegesen nincs használatban. Ez jelentősen csökkentheti a rezgésterhelést a munkavégzés teljes időtartama alatt.

Határozzon meg további biztonsági intézkedéseket a kezelő védelmére a rezgések hatása ellen, például: az elektromos és a használt szerszámok karbantartásával, a kezek melegen tartásával, a munkafolyamatok megszervezésével.

▲ FIGYELMEZTETÉS! Olvasson el minden biztonsági útmutatást és utasítást. A következőkben leírt előírások betartásának elmulasztása áramütésekhez, tűzhöz és/vagy súlyos testi sérülésekhez vezethet. **Kérjük a későbbi használatra gondosan őrizze meg ezeket az előírásokat.**

▲ KÖRFŰRÉSZEKRE VONATKOZÓ BIZTONSÁGI ÚTMUTATÁSOK

a) Az elektromos szerszámhoz tartozó védőburkolatot biztonságosan fel kell szerelni és úgy kell beállítani, hogy maximális biztonság legyen elérhető, azaz a csiszolótest lehető legkisebb része mutasson burkolatlanul a kezelőszemély felé. Ön és a közelben lévő személyek is tartózkodjanak a forgó csiszolókorong síkján kívül. A védőburkolatnak meg kell védenie a kezelőszemélyt a letört daraboktól vagy a csiszolótesttel történő véletlen érintkezéstől.

b) Kizárólag valamilyen anyagkötésű erősített vagy gyémánt vágókorongokat használjon elektromos szerszámához. Az, hogy a tartozékok rögzíteni tudja elektromos szerszámán, még nem garantálja a biztonságos alkalmazást.

c) A betétszerszám megengedett fordulatszámának legalább annyianak kell lennie, mint az elektromos szerszámom megadott legnagyobb fordulatszám. Az olyan tartozék, ami a megengedett fordulatszámánál gyorsabban forog, eltörhet vagy lerepülhet.

d) A csiszolótesteket csak az azok számára javasolt célokra szabad használni. Például: Soha ne csiszoljon

egy vágókorong oldalsó felületével. A vágókorongok arra vannak méretezve, hogy az anyagot a korong élével munkálják le. Az ilyen csiszolótestekre ható oldalirányú erő a csiszolótest töréséhez vezethet.

e) Használjon mindig hibátlan állapotú és megfelelő méretű feszítő karimát az Ön által kiválasztott vágókoronghoz. A megfelelő karima egyenesen tartja a vágókorongot, és ezzel csökkenti annak veszélyét, hogy eltörik a korong.

f) Ne használjon nagyobb elektromos kéziszerszámokhoz szolgáló elhasznált csiszolókorongokat. A nagyobb elektromos kéziszerszámokhoz szolgáló csiszolókorongok nincsenek a kisebb elektromos kéziszerszámok magasabb fordulatszámára méretezve és széttörhetnek.

g) Az alkalmazott szerszám külső átmérőjének és vastagságának meg kell felelnie az elektromos szerszámom megadott méretadatoknak. A nem megfelelő méretű szerszámot nem lehet kellőképpen leburkolni és ellenőrizni.

h) A csiszolókorongoknak és karimáknak pontosan kell illeszkedniük az Ön elektromos szerszámának csiszolóorsójához.Azok az alkalmazott szerszámok, amelyek nem illeszkednek pontosan az elektromos szerszám csiszolóorsójára, egyetlenlenül forognak, erősen vibrálnak és a készülék feletti ellenőrzés elvesztéséhez vezethetnek.

i) Ne használjon sérült csiszolókorongokat. Minden használat előtt ellenőrizze a csiszolókorongokat törések és repedések szempontjából. Ha az elektromos szerszám vagy a csiszolókorong leesik, ellenőrizze, hogy megsérült-e, vagy használjon sérülésmentes csiszolókorongot. Ha Ön ellenőrizte és felszerelte a csiszoló-

korongot, a közelben lévő személyekkel együtt a forgó csiszolókorong síkján kívül tartózkodjon, és járassa a készüléket egy percig maximális fordulatszámom. A sérült csiszolókorongok legtöbbször széttörnek ezen tesztidő alatt.

j) Viseljen személyi védőfelszerelést. Használjon az alkalmazásnak megfelelő teljes védőálarcot, szemvédőt vagy védőszemüveget. Amennyiben célszerű, viseljen porvédő álarcot, zajtompító fülvédőt, védő kesztyűt vagy különleges kötényt, amely távol tartja a csiszolószerszám- és anyagrészeket. Mindenképpen védje meg a szemét a kirepülő idegen anyagoktól, amelyek a különböző alkalmazások során keletkeznek. A por- vagy védőálarcnak meg kell szűrnie a használat során keletkező port. Ha hosszú idej ki van téve az erős zaj hatásának, elvesztheti a hallását.

k) Ügyeljen arra, hogy más személyek biztos távolságra legyenek a munkaterülettől. Minden személynek védőfelszerelést kell viselnie, aki belép a munkaterületre. A munkadarabról lepattonó szilánkok vagy a letört szerszámrészek szétrepülhetnek, és a közvetlen munkaterületen kívül is sérüléseket okozhatnak.

l) A készüléket a szigetelt markolatfelületeket fogva tartsa, ha olyan munkálatokat végez, melyeknél a vágószerszám rejtett elektromos vezetékbe vagy saját vezetékébe ütközhet. A vágószerszám feszültségvezető vezetékkel való érintkezésekor a készülék fém részei is feszültség alá kerülhetnek, és elektromos áramütés következhet be.

m)Tartsa távol a hálózati csatlakozó kábelt a forgó betétszerszámoktól. Ha elveszti az uralmat az elektromos kéziszerszám felett, az átvághatja, vagy bekaphatja a hálózati csatlakozó kábelt és az Ön keze vagy karja is a forgó betétszerszámhoz érhet.

n) Ne tegye le soha addig az elektromos szerszámot, amíg a mozgó betétszerszám nem áll le teljesen. A forgó betétszerszám hozzáérhet a felfekvő felülethez, és ezáltal kontrollálhatatlanná válhat az elektromos szerszám.

o) Ne járassa az elektromos kéziszerszámot, miközben azt a kezében tartja. A forgó betétszerszám egy véletlen érintkezés során bekaphatja a ruháját és a betétszerszám befürödhözhat a testébe.

p) Tisztítsa meg rendszeresen az elektromos kéziszerszám szellőzőnyílásait. A motor ventilátorra beszívja a port a házba, és nagyobb mennyiségű fémpor felhalmozódása elektromos veszélyekhez vezethet.

q) Ne használja az elektromos szerszámot gyúlékony anyagok közelében. A szikráktól meggyulladhatnak ezek az anyagok.

r) Ne használjon olyan betétszerszámokat, melyekhez folyékony hűtőközeg szükséges. A víz vagy más folyékony hűtőközeg használata áramütést okozhat.

További biztonsági útmutatások vágókorongos alkalmazásokhoz

Visszarugás és megfelelő biztonsági útmutatások

A visszarugás a forgó csiszolókorong megszorulására vagy leblokkolására érkező hirtelen reakció. A megszorulás vagy leblokkolás a forgó betétszerszám hirtelen leállítását okozza. Ezáltal a kontroll alól kikerült elektromos szerszám a betétszerszám forgásiirányával szemben gyorsul a megakadás helyén.

Ha például egy csiszolókorong megszorul vagy leblokkol a megmunkálásra kerülő munkadarabban, a csiszolókorongnak a munkadarabba bemező éle leáll és így a csiszolókorong kiugorhat vagy visszarugást okozhat. A csiszolókorong ekkor a korongnak a leblokkolási pontban fennálló forgásiirányától függően a kezelő személy felé, vagy attól távolodva mozog. A csiszolókorongok ilyenkor el is törhetnek.

A visszarugás az elektromos kéziszerszám hibás vagy helytelen használatának következménye. Ezt az

alábbiakban leírásra kerülő megfelelő óvatossági intézkedésekkel meg lehet gátolni.

a) Tartsa szorosan fogva az elektromos kéziszerszámot, és hozza a testét és a karjait olyan helyzetbe, amelyben fel tudja venni a visszarugási erőket. Használja mindig a pótfogantyút, amennyiben létezik, hogy a lehető legjobban tudjon uralkodni a visszarugási erő, illetve felfutáskor a reakciós nyomaték felett. A kezelő személy megfelelő óvatossági intézkedésekkel uralkodni tud a visszarugási és reakcióerők felett.

b) Soha ne vegye a kezét a forgó betétszerszám közelébe. A betétszerszám visszarugás esetén a kezéhez érhet.

c) Kerülje el a forgó vágótárcsa előtti és mögötti területet. A visszarugás a megakadás helyén a csiszolókorong mozgásával ellentétes irányba mozdítja az elektromos szerszámot.

d) A sarkok és élek közelében különösen óvatosan dolgozzon, akadályozza meg, hogy a betétszerszám lepattonjon a munkadarabról, vagy megszoruljon a munkadarabban. A forgó betétszerszám a sarkoknál, éléknél és lepattanás esetén könnyen megszorul. Ez a készülék feletti uralom elvesztéséhez, vagy visszarugáshoz vezet.

e) Ne használjon láncos vagy fogazott fűrészlapot, valamint 10 mm-nél szélesebb résekkel rendelkező szegmentált gyémánt vágókorongot. Az ilyen betétszerszámok gyakran visszarugást okoznak, vagy az elektromos szerszám feletti ellenőrzés elvesztéséhez vezethetnek.

f) Kerülje el a vágókorong leblokkolását, és ne gyakoroljon túl erős nyomást a készülékre. Ne végezzen túl mély vágást. A túlterhelés megnöveli a vágókorong igénybevételeit és megszorulási vagy leblokkolási hajlamát és visszarugáshoz vagy a csiszolótest töréséhez vezethet.

g) Ha a vágókorong megszorul, vagy ha Ön megszakítja a munkát, kapcsolja ki az elektromos kéziszerszámot és tartsa azt nyugodtan, amíg a korong teljesen leáll. Soha ne próbálja meg kihúzni a még forgó vágókorongot a vágásból, mert ez visszarugáshoz vezethet. Határozza meg és hárítsa el a megszorulás okát.

h) Addig ne kapcsolja ismét be az elektromos kéziszerszámot, amíg az még benne van a munkadarabban. Várja meg, amíg a vágókorong eléri a teljes fordulatszámát, mielőtt óvatosan folytatná a vágást. A korong ellenkező esetben megszorulhat, kiugorhat a munkadarabból, vagy visszarugáshoz vezethet.

i) Támassza fel a lemezeket vagy nagyobb munkadarabokat, hogy csökkentse a megszoruló vágókorong következtében fellépő visszarugás kockázatát. A nagyobb munkadarabok saját súlyuk alatt meghajolhatnak. A munkadarabot mindkét oldalán, és mind a vágási vonal közelében, mind a szélénél alá kell támasztani.

j) Ha egy meglévő falban, vagy más be nem látható területen hoz létre "zseb alakú vágást", járjon el különös óvatossággal. Az anyagba behatoló vágókorong gáz- vagy vízvezetékbe, elektromos vezetékbe vagy más tárgyakra ütközhet, amelyek visszarugást okozhatnak.

TOVÁBBI BIZTONSÁGI ÉS MUNKAVÉGZÉSI UTASÍTÁSOK

Az alkalmazott szerszámalkatrész megengedett fordulatszámának legalább annyianak kell lennie, mint az elektromos szerszámom megadott legnagyobb fordulatszám. Az olyan tartozék, ami a megengedett fordulatszámánál gyorsabban forog, eltörhet vagy lerepülhet.

Használjon védőfelszerelést! Ha a gépen dolgozik, mindig hordjon védőszemüveget! Javasoljuk a védőruházat, úgymint porvédő maszk, védőcipő, erős és csúszásbiztos lábbeli, sisak és hallásvédő használatát.

FIGYELMEZTETÉS A jelentős porképződéssel járó munkavégzés során előforduló sérülésveszély csökkentésére Milwaukee perszív megoldás használatát javasoljuk a kezelési útmutató előírásai szerint.

A munka során keletkező por gyakran egészségre káros, ezért ne kerüljön a szervezetbe
Hordjon e célra alkalmas porvédőmaszkot.

Nem szabad olyan anyagokat megmunkálni, amelyek egészségre veszélyesek (pl. azbesztet).

A betétszám elakadásakor azonnal ki kell kapcsolni a készüléket! Addig ne kapcsolja vissza a készüléket, amíg a betétszám elakadása fennáll; ennek során nagy ellennyomatékú visszarúgás történhet. Határozza és szüntesse meg a betétszám elakadásának okát a biztonsági útmutatások betartása mellett.

Ennek következők lehetnek az okai:

- a szerszám elakad a megmunkálandó munkadarabban
- a megmunkálandó anyag átszakadt
- az elektromos szerszám túlterhelése

Ne nyúljon a járó géphez.

A betétszám az alkalmazás során felforrósodhat.

- szerszámcserekor
- a készülék lerakásakor

Falban, földemben, aljzatban történő fúrásnál fokozottan ügyelni kell az elektromos-, víz- és gázvezetésekre.

Karbantartás, javítás, tisztítás, stb. előtt az akkumulátort ki kell venni a készülékből.

A használt akkumulátort ne dobja tűzbe vagy a háztartási szemétkébe. Tájékoztadjon a szakszerű megsemmisítés helyi lehetőségeiről.

Az akkumulátort ne tárolja együtt fém tárgyakkal. (Rövidzárlat veszélye).

Az M12 elnevezésű rendszerhez tartozó akkumulátorokat kizárólag a rendszerhez tartozó töltővel töltsse fel. Ne használjon más rendszerbe tartozó töltőt.

Az akkumulátort, töltőt nem szabad megbontani és kizárólag száraz helyen szabad tárolni. Nedvességtől óvni kell.

Akkumulátor sav folyhat a sérült akkumulátorból extrém terhelés alatt, vagy extrém hő miatt. Ha az akkumulátor sav a bőrre kerül azonnal mossa meg szappanos vízzel. Szembe kerülés esetén folyóvíz alatt tartsa a szemét minimum 10 percig és azonnal forduljon orvoshoz.

Figyelmeztetés! A rövidzárlat általi tűz, sérülések vagy termékkárosodások veszélye elkerülésére ne merítse a szerszámot, a cserélhető akkut vagy a töltőkészüléket folyadékba, és gondoskodjon arról, hogy ne hatoljanak folyadékok a készülékekbe és az akkuba. A korrozív hatású vagy vezetőképes folyadékok, mint pl. a sós víz, bizonyos vegyi anyagok, fehéritők vagy fehéritő tartalmú termékek, rövidzárlatot okozhatnak.

RENDELTESSZERŰ HASZNÁLAT

Ez a vágószerszám különböző anyagok vágására szolgál.

A készüléket kizárólag az alábbiakban leírtaknak megfelelően szabad használni.

A sérülésveszély minimálisra csökkentése érdekében csak 1-es típusú, max. 3,2 mm vastagságú gyémánt csiszolókorongot használjon, amelyek biztonságosan üzemeltethetők 20 000 min-1 minimális fordulatszámmal. Az 1-es típusú csiszolókorongok csak oldalcsiszolásra alkalmasak, síkcsiszolásra nem. Tartsa be minden biztonsági útmutatást, amelyet a vágókorongokhoz mellékeltek.

A megfelelő csiszolókorong kiválasztásához használja az alábbi áttekintést. Anyagtól függően különböző csiszolókorongokat kell használni. Vegye figyelembe a csiszolókorong gyártójának használati útmutatásait.

Korong típus	Csiszolandó anyag
Karbid csiszolókorongok	Gipszkarton, szálerezítésű cement, műanyag

Vágókorongok	Acél, nemesacél, vasat nem tartalmazó anyagok
Gyémánt vágókorongok	Csempe, beton, téglá, kerámia

CE-AZONOSSÁGI NYILATKOZAT

Egyedüli felelősséggel kijelentjük, hogy a „Műszaki Adatok” alatt leírt termék a 2011/65/EU (RoHS), 2014/30/EU, 2006/42/EK irányelvek minden releváns előírásának, ill. az alábbi harmonizált normatív dokumentumoknak megfelel:

EN 60745-1:2009+A11:2010
EN 60745-2-22:2011+A11:2013
EN 55014-1:2017+A11:2020
EN 55014-2:2015
EN IEC 63000:2018

Winnenden, 2020-10-29

Alexander Krug
Managing Director

Műszaki dokumentáció összeállításra felhatalmazva

Techtronic Industries GmbH

Max-Eyth-Straße 10

71364 Winnenden

Germany



AKKUK

A hosszabb ideig üzemben kívül lévő akkumulátort használat előtt ismételtelen fel kell tölteni.

50°C feletti hőmérsékletnél csökkenhet az akkumulátor teljesítménye. Kerülni kell a túlzottan meleg helyen vagy napon történő hosszabb idejű tárolást.

A töltő és az akkumulátor csatlakozóit mindig tisztán kell tartani.

Az optimális élettartam érdekében használat után az akkukat teljesen fel kell tölteni.

A lehetőleg hosszú élettartamhoz az akkukat feltöltés után ki kell venni a töltőkészülékből.

Az akku 30 napot meghaladó tárolása esetén: Az akkut kb. 27 °C-on, száraz helyen kell tárolni. Az akkut kb. 30-50%-os töltöttségi állapotban kell tárolni. Az akkut 6 havonta újra fel kell tölteni.

AZ AKKUMULÁTOR TÚLTERHELÉS ELLENI VÉDELME

Az akkucsomag olyan túlterhelés elleni védelemmel rendelkezik, mely védi az akkut a túlterhelés ellen, és hosszú élettartamot biztosít. Rendkívül erős igénybevétel esetén az akkuelektronika automatikusan lekapcsolja a gépet. A további munkavégzéshez a gépet ki-, majd ismét be kell kapcsolni. Ha a gép nem indul el ismét, akkor lehetséges, hogy az akkucsomag lemerült és azt újból fel kell tölteni a töltőben.

LÍTIUM-ION AKKUK SZÁLLÍTÁSA

A lítium-ion akkuk a veszélyes áruk szállítására vonatkozó törvényi rendelkezések hatálya alá tartoznak.

Az ilyen akkuk szállításának a helyi, országos és nemzetközi előírások és rendelkezések betartása mellett kell történnie.

- A fogyasztók minden további nélkül szállíthatják az ilyen akkukat közúton.
- A lítium-ion akkuk szállítványozási vállalatok általi kereskedelmi célú szállítására a veszélyes áruk

szállítására vonatkozó rendelkezések érvényesek. A kiszállítás előkészítését és a szállítást kizárólag megfelelő képzettségű személyek végezhetik. A teljes folyamatnak szakmai felügyelet alatt kell történnie.

A következő pontokat kell figyelembe venni akkuk szállításakor:

- Biztosítsa, hogy a rövidzárlatok elkerülése érdekében az érintkezők védve és szigetelve legyenek.
- Ügyeljen arra, hogy az akkucsomag ne tudjon elcsúszni a csomagoláson belül.
- Tilos sérült vagy kifolyt akkukat szállítani.

További útmutatásokért forduljon szállítványozási vállalatához.

KARBANTARTÁS

A készülék szellőzőnyílásait mindig tisztán kell tartani.

A fűrészlap felhelyezése és eltávolítása előtt ügyeljen arra, hogy kihúzza a szerszámot az elektromos hálózatból.

A készüléket és a védőeszközt száraz kendővel tisztítsa. Némely tisztítószer károsítja a műanyagot, és más szigetelt alkatrészeket. Tartsa a készüléket tisztán és szárazon, valamint kifolyt olajoktól és zsíroktól mentesen. Ellenőrizze a védőburkolatok működését. A rendszeres karbantartás és tisztítás hosszú élettartamról és biztonságos kezeléssel gondoskodik.

Csak Milwaukee tartozékokat és Milwaukee pótalkatrészeket szabad használni. Az olyan elemeket, melyek cseréje nincs ismertette, cseréltesse ki Milwaukee szervizzel (lásd Garancia/Ügyfélszolgálat címe kiadványt).

Igény esetén a készülékről robbantott rajz kérhető a géptípus és a teljesítménycímként található hatjegyű szám megadásával az Ön vevőszolgálatánál, vagy közvetlenül a Techtronic Industries GmbH-től a Max-Eyth-Straße 10, 71364 Winnenden, Németország címen.

SZIMBÓLUMOK

	FIGYELEM! FIGYELMEZTETÉS! VESZÉLY!
	Karbantartás, javítás, tisztítás, stb. előtt az akkumulátort ki kell venni a készülékből.
	Kérjük alaposan olvassa el a tájékoztatót mielőtt a gépet használja.
	Hordjon védőkesztyűt!
	Hallásvédő eszköz használata ajánlott!
	Munkavégzés közben ajánlatos védőszemüveget viselni. Hordjon e célra alkalmas porvédőmaszkot.
	Azokat a tartozékokat, amelyek gyárilag nincsenek a készülékhez mellékelve, külön lehet megrendelni.



Az elektromos eszközöket, elemeket/akkukat nem szabad a háztartási hulladékkal együtt ártalmatlanítani. Az elektromos eszközöket és akkukat szelektíven kell gyűjteni, és azokat környezetbarát ártalmatlanítás céljából hulladékhasznosító üzemben kell leadni. A helyi hatóságoknál vagy szakkereskedőjénél tájékoztadjon a hulladékudvarokról és gyűjtőhelyekről.



Európai megfelelési jelölés



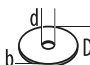
Egyesült királyságbeli megfelelési jelölés



Ukrán megfelelési jelölés



Eurázsiai megfelelési jelölés

TEHNIČNI PODATKI	REZALNO	M12 FCOT
Proizvodna številka.....	4679 85 02...	...000001-999999
Nazivno število vrtljajev	20000 min ⁻¹	
 D=Rezalne plošče- \emptyset	76 mm	
d=vrtanje - \emptyset	10 mm	
b=Debelina rezalne plošče min. / maks.....	1 mm / 3,2 mm	
Globina reza	16,3 mm	
Širina reza	min. 1 mm / max. 3,2 mm	
Napetost izmenljivega akumulatorja.....	12 V	
Teža po EPTA-proceduri 01/2014 (6,0 Ah).....	1,3 kg	
Priporočena temperatura okolice pri delu.....	-18...+50 °C	
Priporočene vrste akumulatorskih baterij	M12B2...M12B6	
Priporočeni polnilniki.....	C12C,M12C4, M12-18AC,M12-18C, M12-18C3, M12-18FC,....	

Informacije o hrupnosti/vibracijah (rezanje betona)

Vrednosti merjenja ugotovljene ustrežno z EN 60 745.	
A ocenjeni nivo zvočnega tlaka znaša tipično	
Nivo zvočnega tlaka (Nevarnost K=3dB(A)).....	105 dB (A)
Višina zvočnega tlaka (Nevarnost K=3dB(A)).....	94 dB (A)

Nosite zaščito za sluh!

Skupna vibracijska vrednost (Vektorska vsota treh smeri) določena ustrežno EN 60745.

Žaganje lesa a _{h,sc}	2,9 m/s ²
Nevarnost K=.....	1,5 m/s ²

OPOZORILO

V teh navodilih navedena raven treslajev je bila izmerjena po EN60745 normiranem merilnem postopku in lahko služi medsebojni primerjavi električnih orodij. Prav tako je primeren za predhodno oceno obremenitve s treslaji.

Navedena raven treslajev navaja najpomembnejše vrste rabe električnega orodja. Kadar se električno orodje uporablja za drugačne namene, z odstopajočimi orodji ali pa z nezadostnim vzdrževanjem, lahko raven treslajev tudi odstopa. Le to lahko čez celoten delovni čas znatno zviša obremenitev s tresenjem.

Za natančno oceno obremenitve s treslaji naj bi se upošteval tudi čas v katerem je naprava izklopljena ali sicer teče, vendar dejansko ni v rabi. Le to lahko obremenitev s treslaji čez celoten delovni čas znatno zmanjša.

Za zaščito upravljalca pred učinkom treslajev uvedite dodatne zaščitne ukrepe npr.: Vzdrževanje električnega orodja in orodja, delo s toplimi rokami, organizacija delovnih potekov.

⚠ OPOZORILO! Preberite vsa varnostna opozorila in navodila. Napake zaradi neupoštevanja spodaj navedenih opozoril in napotil lahko povzročijo električni udar, požar in/ali težke telesne poškodbe.

Vsa opozorila in napotila shranite, ker jih boste v prihodnje še potrebovali.

⚠ VARNOSTNA OPOZORILO ZA KROŽNE ŽAGE

a) Električnemu orodju pripadajoča zaščitna avba mora biti varno nameščena in tako nastavljena, da bo do-sežena najvišja mera varnosti, to pomeni, da najmanjši možen del brusilnega telesa prosto lahko pravi upravljalcu. Zadržujte se, kakor tudi v bližini nahajajoče osebe, izven ravnih rotirajoče brusilne plošče. Zaščitna avba naj bi upravljalca ščitila pred odlomljenimi kosi in naključnemu stiku z brusilnim telesom.

b) Za vaše električno orodje uporabljajte izključno vezane ojačane ali diamantne rezalne plošče. To, da pribor na električno orodje lahko pritrdite, še ne jamči varne uporabe.

c) Dovoljeno število vrtljajev uporabljenega orodja mora biti vsaj tako visoko, kot je največje število vrtljajev električnega orodja. Pribor, ki se vrti hitreje od dovoljenega števila vrtljajev, se lahko polomi in razletí.

d) Brusila lahko uporabljate samo za vrste uporabe, ki jih priporoča proizvajalec. Na primer: Nikoli ne brusite stransko ploskvijo rezalne plošče. Rezalne plošče so namenjene odstranjevanju materiala z robom plošče. Brusilo se lahko zaradi bočnega delovanja sile zlomi.

e) Uporabljajte zmeraj nepoškodovane vpenjalne priborice v pravi velikosti za izbrano rezalno ploščo. Primerne priborice podpirajo rezalno ploščo in zmanjšajo nevarnost loma rezalne plošče.

f) Ne uporabljajte obrabljenih brusilnih kolutov večjih električnih orodij. Brusilni koluti za večja električna orodja niso konstruirana za višje število vrtljajev, s katerimi delujejo manjša električna orodja in se lahko zato zlomijo.

g) Zunanji premer in debelina delovnega orodja morajo odgovarjati navedbenim meram Vaše električne naprave. Nepravilno izmerjeno uporabno orodje se ne more zadostno zasloniti oziroma kontrolirati

h) Brusilne plošče in priborica morajo točno nalegati na brusilno vreteno vašega električnega orodja. Orodja, ki točne ne nalegajo na brusilno vreteno električnega orodja, se vrtijo neenakomerno, močno vibrirajo in lahko privedejo do izgube nadzora.

i) Ne uporabljajte poškodovanih brusilnih plošč. Pred vsako uporabo kontrolirajte brusilne plošče glede na odkrušenost in razpoke. Kadar električno orodje ali brusilna plošča padeta na tla, preverite ali je poškodovana, ali uporabite nepoškodovano brusilno ploščo. V kolikor ste brusilno ploščo prekontrolirali in vstavili, se vi in v bližini nahajajoče osebe zadržujte izven ravnih rotirajoče brusilne plošče in pustite napravo eno minuto teči pri najvišjem številu vrtljajev. Poškodovane brusilne plošče najpogosteje v tem testnem času počijo.

j) Uporabljajte osebno zaščitno opremo. Odvisno od vrste uporabe si natakните zaščitno masko čez cel obraz, zaščito za oči ali zaščitna očala. Če je potrebno, nosite zaščitno masko proti prahu, zaščitne slušnike, zaščitne rokavice ali specialni predpasnik, ki Vas bo zavaroval pred manjšimi delci materiala, ki nastajajo pri brušenju. Oči je treba zavarovati pred tujki, ki nastajajo pri različnih vrstah uporabe naprave in letijo naokrog. Zaščitna maska proti prahu ali dihalna maska morata filtrirati prah, ki nastaja pri uporabi. Predolgo izpostavljanje glasnemu hrupu ima lahko za posledico izgubo sluha.

k) Pazite pri drugih osebah na varnostno razdaljo do Vašega delovnega področja. Vsakdo ki pristopi delovnem področju mora nositi osebno zaščitno opremo. Drobcí obdelovanca ali zlomljeno delovno orodje lahko odletijo in povzročijo poškodbe ven direktnega delovnega področja.

l) Kadar izvajate dela pri katerih lahko orodje zadane prikrito električno napeljavo ali lasten vodnik, je napravo potrebno držati za izolirane prijemalne površine. Stik rezalnega orodja z napetostnim vodnikom napeljave lahko privede kovinske dele naprave pod napetost in vodi do električnega udara.

m) Omrežnega kablja ne približujte vrtečemu se vsadnemu orodju. Če izgubite nadzor nad električnim orodjem, lahko orodje prereže ali zagradi kabel, Vaša roka pa zaide v vrteče se vsadno orodje.

n) Ne odlagajte električno napravo vse dokler se električna naprava ni popolnoma umirila. Vrtečo delovno orodje lahko pride v kontakt z odlagalno površino s čimer lahko izgubite kontrolo nad električno napravo.

o) Električno orodje naj medtem, ko ga prenašate naokrog, ne deluje. Vrteče se vsadno orodje lahko zaradi naključnega kontakta zagradi Vaše oblačilo in se zavrti v Vaše telo.

p) Prezračevalne reže Vašega električnega orodja morate redno čistiti. Ventilator motorja povleče v ohišje prah in velika količina nabranega prahu je lahko vzrok za električno nevarnost.

q) Ne uporabljajte električno napravo v bližini vnetljivih materialov. Iskre lahko vnamejo te materiale.

r) Ne uporabljajte delovno orodje katero zahteva tekoča sredstva hlajenja. Uporaba vode ali ostalih tekočih sredstev hlajenja lahko vodijo do električnega udara.

Nadaljna varnostna opozorila za rezalno brusilno uporabo

Povratni udarec in odgovarjajoča varnostna navodila

Povratni udar je nenadna reakcija kot posledica zatakne ali zablokirane vrteče se brusilne plošče. Zatik ali blokiranje vodi do nenadne zavustavitve rotirajočega orodja. V sled te ga se na mestu blokade nenadzorovano električno orodje pospeši v nasprotni smeri vrtenja orodja.

Če se na primer brusilni kolut zatakne ali zablokira v obdelovancu, se lahko rob brusilnega koluta, ki je potopljen v obdelovane, zaplete vanj in brusilni kolut se odloži ali povzroči povratni udarec. Brusilni kolut se nato premakne proti uporabniku ali proč od njega, odvisno od smeri vrtenja brusilnega koluta na mestu blokiranja. Blokimi koluti se lahko pri tem tudi zlomijo.

Povratni udarec je posledica napačne ali pomanjkljive uporabe električnega orodja. Preprečite ga lahko z ustreznimi previdnostnimi ukrepi. Navedeni so v nadaljevanju besedila.

a) Dobro držite električno orodje in premaknite telo in roke v položaj, v katerem boste lahko prestregli moč povratnega udara. Če je na voljo dodatni ročaj, ga obvezno uporabljajte in tako zagotovite najboljše možno nadziranje moči povratnih udarcev ali reakcijskih momentov pri zagonu naprave. Z ustreznimi previdnostnimi ukrepi lahko uporabnik obvlada moč povratnih udarcev in reakcijskih momentov.

b) Nikoli z roko ne segajte v bližino vrtečih se vsadnih orodij. V primeru povratnega udara se lahko orodje premakne čez Vašo roko.

c) Izogibajte se območju pred in za rotirajočo rezalno ploščo. Povratni udar žene električno orodje na mestu blokade v nasprotni smeri premika rezalne plošče.

d) Posebno previdno delajte v kotih, na ostrih robovih in podobnih površinah. Preprečite, da bi vsadna orodja odskočila od obdelovanca in se zagozdila. Vrteče se vsadno orodje se v kotih, na ostrih robovih ali če odskoči,

zlahka zagozdi. To povzroči izgubo nadzora ali povratni udarec.

e) Ne uporabljajte nobenega verižnega ali ozobljenega žaginega lista kot tudi nobene segmentirane diamantne plošče z več kot 10 mm širokimi zarezami. Tovrstna orodja pogosto povzročajo povratni udar ali izgubo nadzora nad električnim orodjem.

f) Izogibajte se blokiranju rezalne plošče ali premočnemu pritiskanju na obdelovane. Ne delajte pretirano globokih rezov. Preobremenjenost rezalne plošče se poveča, prav tako dovzetnost za zatikanje ali blokiranje in s tem možnost povratnega udara ali zloma brusila.

g) Če se rezalna plošča zagozdi ali če prekinete z delom, električno orodje izklopite in ga držite pri miru, dokler se kolut popolnoma ne ustavi. Nikoli ne poskušajte rezalne plošče, ki se še vrti, potegniti iz reza, ker lahko pride do povratnega udara. Ugotovite in odstranite vzrok zagozditve.

h) Dokler se električno orodje nahaja v obdelovancu, ga ne smete ponovno vklopiti. Počakajte, da bo rezalna plošča dosegla polno število vrtljajev in šele potem previdno nadaljujte z rezanjem. V nasprotnem primeru se lahko plošča zatakne, skoči iz obdelovanca ali povzroči povratni udarec.

i) Plošče ali velike obdelovance ustrežno podprite in tako zmanjšajte tveganje povratnega udara zaradi zatakne rezalne plošče. Veliki obdelovanci se lahko zaradi lastne teže upognejo. Obdelovane mora biti podprt z obeh strani, pa tudi v bližini reza in na robu.

j) Še posebno previdni bodite pri "rezanju žepov" v obstoječe stene ali v druga področja, v katera nimate vplogleda. Pogrezajoča se rezalna plošča lahko pri zarezovanju v plinske ali vodovodne cevi ter električne vodnike in druge predmete povzroči povratni udarec.

NADALJNA VARNOSTNA IN DELOVNA OPOZORILO

Dovoljeno število vrtljajev uporabljenega orodja mora biti vsaj tako visoko, kot je največje število vrtljajev električnega orodja.

Pribor, ki se vrti hitreje od dovoljenega števila vrtljajev, se lahko polomi in razletí.

Uporabite zaščitno opremo. Pri delu s strojem vedno nosite zaščitna očala. Priporočajo se zaščitna oblačila, kot npr. maska za zaščito proti prahu, zaščitne rokavice, trdno in nedrseče obuvalo, čelada in zaščita za sluh.

OPOZORILO Da bi zmanjšali nevarnost poškodb pri delu s prevelikim prahom, priporočamo uporabo Milwaukee naprave za odpravo prahu v skladu z navodili za uporabo.

Prah, ki nastaja pri delu, je pogosto zdravju škodljiv in naj ne zaide v telo. Nosite ustrežno masko proti prahu.

Obdelava materialov, iz katerih izhaja ogroženost zdravja (npr. azbest), ni dovoljena.

V primeru blokade orodja napravo takoj izklopite! Naprave ponovno ne vklaplajte dokler je orodje blokirano; pri tem bi lahko prišlo do povratnega udara z velikim reakcijskim momentom. Ugotovite in odpravite vzroke blokade orodja ob upoštevanju varnostnih navodil.

Možni razlogi so lahko:

- Zagozditve v obdelovancu
- prežganje obdelovanega materiala
- Preobremenitev električnega orodja

Ne segajte v stroj v teku.

Orodje lahko med uporabo postane vroče.

- pri menjavi orodja
- pri odlaganju naprave

Pri delih na steni, stropu ali v tleh pazite na električne kable, plinske in vodne napeljave.

Pred vsemi deli na stroji odstranite izmenljivi akumulator.

Izrabljenih izmenljivih akumulatorjev ne mečite v ogenj ali v gospodinjstve odpadke. Milwaukee nudi okolju prijazno odlaganje starih izmenljivih akumulatorjev; prosimo povprašajte vašega strokovnega trgovca.

Izmenljivih akumulatorjev ne hranite skupaj s kovinskimi predmeti (nevarnost kratkega stika).

Izmenljive akumulatorje sistema M12 polnite samo s polnilnimi aparati sistema M12. Ne polnite nobenih akumulatorjev iz drugih sistemov.

Izmenljivih akumulatorjev in polnilnih aparatov ne odpirajte in jih hranite samo v suhih prostorih. Zaščitite jih pred mokroto.

Pod ekstremno obremenitvijo ali ob ekstremni temperaturi iz poškodovanega izmenljivega akumulatorja lahko izteka akumulatorska tekočina. Po stiku z akumulatorsko tekočino prizadeto mesto takoj izperite z vodo in milom. Po stiku z očmi takoj najmanj 10 minut dolgo temeljito izpirajte in nemudoma obiščite zdravnika.

Opozorilo! V izogib, s kratkim stikom povzročene nevarnosti požara, poškodb ali okvar na proizvodni, orodja, izmenljivega akumulatorja ali polnilne naprave ne potaplajte v tekočine in poskrbite, da ne bo prihajalo do vdora tekočin v naprave in akumulatorje. Korozivne ali prevodne tekočine, kot so slana voda, določene kemikalije in belila ali proizvodi, ki le ta vsebujejo, lahko povzročijo kratek stik.

UPORABA V SKLADU Z NAMEMBOSTJO

To rezalno orodje je namenjeno rezanju različnih materialov.

Ta naprava se sme uporabiti samo v skladu z namembnostjo uporabi samo za navede namene.

Da bi zmanjšali možnosti poškodb, uporabljajte samo diamantne brusne plošče tipa 1 z največjo debelino 3,2 mm, ki jih je mogoče varno upravljati z minimalno hitrostjo 20.000 vrt / min-1. Brusne plošče tipa 1 so primerne le za stransko brušenje, ne za površinsko brušenje. Upoštevajte vsa varnostna navodila, ki so priložena rezalnim ploščam.

Uporabite spodnjo tabelo, da izberete pravilno brusno ploščo. Odvisno od materiala je treba uporabiti različne brusne plošče. Upoštevajte navodila za uporabo proizvajalca brusne plošče.

Tip brusne plošče	Za brušenje
Brusne plošče iz karbida	Mavčnih plošč, vlaknatega cementa, plastike
Rezalne plošče	Jekla, nerjavnega jekla, neželeznih materialov
Diamantne brusne plošče	Ploščic, betona, opek, keramike

CE-IZJAVA O KONFORMNOSTI

V lastni odgovornosti izjavljamo, da se pod „Tehnični podatki“ opisan proizvod ujema z vsemi relevantnimi predpisi smernice 2011/65/EU (RoHS), 2014/30/EU, 2006/42/ES in s sledečimi harmoniziranimi normativnimi dokumenti:

EN 60745-1:2009+A11:2010
EN 60745-2-22:2011+A11:2013
EN 55014-1:2017+A11:2020
EN 55014-2:2015
EN IEC 63000:2018

Winnenden, 2020-10-29



Alexander Krug
Managing Director



Pooblaščen za izdelavo spisov tehnične dokumentacije.

Techtronic Industries GmbH
Max-Eyth-Straße 10
71364 Winnenden
Germany

AKUMULATORJI

Izmenljive akumulatorje, ki jih daljši čas niste uporabljali, pred uporabo naknadno napolnite.

Temperatura nad 50°C zmanjšuje zmogljivost izmenljivega akumulatorja. Izogibajte se daljšemu segrevanju zaradi sončnih žarkov ali grejta.

Pazite, da ostanejo priključni kontakti na polnilnem aparatu in izmenljivem akumulatorju čisti.

Za optimalno življenjsko dobo je akumulatorje potrebno po uporabi napolniti do konca.

Za čim daljšo življenjsko dobo naj se akumulatorji po napolnitvi vzamejo ven iz naprave za polnjenje.

Pri skladiščenju akumulatorjev dalj kot 30 dni: Akumulator skladiščiti pri 27°C in na suhem. Akumulator skladiščiti pri 30%-50% stanja polnjenja. Akumulator spet napolniti vsakih 6 mesecev.

ZAŠČITA PREOBREMENITVE AKUMULATORJA

Komplet akumulatorja je opremljen s preobremenitveno zaščito, ki ščiti akumulator pred preobremenitvijo in zagotavlja dolgo življenjsko dobo.

Pri ekstremno visokih obremenitvah elektronika akumulatorja stroj avtomatsko izklopi. Za nadaljnje delo stroj izklopimo in ponovno vklopimo. V kolikor stroj ponovno ne steče, je komplet akumulatorja morebiti izprazen in ga je v polnilcu potrebno ponovno napolniti.

TRANSPORT LITIJ-IONSkih AKUMULATORJEV

Litij-ionski akumulatorji so podvrženi zakonskim določbam transporta nevarnih snovi.

Transport teh akumulatorjev se mora izvajati upoštevajoč lokalne, nacionalne in mednarodne predpise in določbe.

- Potrošniki lahko te akumulatorje še nadalje transportirajo po cesti.
- Komercialni transport litij-ionskih akumulatorjev s strani špediterskih podjetij je podvržen določbam transporta nevarnih snovi. Priprava odpreme in transporta se lahko vrši izključno s strani ustrezno izšolanih oseb. Celoten proces je potrebno strokovno spremljati.

Pri transportu akumulatorjev je potrebno upoštevati sledeče točke:

- V izogib kratkim stikom zagotovite, da bodo kontakti zaščiteni in izolirani.
- Bodite pozorni na to, da paket akumulatorja v notranjosti embalaže ne bo mogel zdrsniti.
- Poškodovanih ali iztekajočih akumulatorjev ni dovoljeno transportirati.

Za nadaljnja navodila se obrnite na vaše špeditersko podjetje.

VZDRŽEVANJE

Pazite na to, da so prezračevalne reže stroja vedno čiste.

Pred nameščanjem ali odstranjevanjem rezila žage se prepričajte, da ste orodje odklopili z napajanja.












Napravo in zaščitno pripravo čistite s suho krpo. Mnoga čistilna sredstva poškodujejo umetne mase ali druge izolirane dele. Napravo vzdržujte čisto in suho kakor tudi prosto uhajajočega olja in masti. Preverite delovanje ščitnikov. Redno vzdrževanje in čiščenje poskrbita za dolgo življenjsko dobo in varno rokovanje.

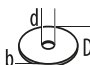
Uporabljajte samo Milwaukee pribor in Milwaukee nadomestne dele. Poskrbite, da sestavne dele, katerih zamenjava ni opisana, zamenjajo v Milwaukee servisni

službi (upoštevajte brošuro Garancija/Naslovi servisnih služb).

Po potrebi je mogoče pri vašem servisnem mestu ali neposredno pri Techtronic Industries GmbH, Max-Eyth-Straße 10, 71364 Winnenden, Germany, naročiti eksplozijsko risbo naprave ob navedbi tipa stroja in na tablici navedene šestmestne številke.

SYMBOLE

	POZOR! OPOZORILO! NEVARNO!
	Pred vsemi deli na stroji odstranite izmenljivi akumulator.
	Prosimo, da pred uporabo pozorno preberete to navodilo za uporabo.
	Nositi zaščitne rokavice
	Nosite zaščito za sluh!
	Pri delu s strojem vedno nosite zaščitna očala. Nosite ustrezno masko proti prahu.
	Oprema – ni vsebovana v obsegu dobave, priporočeno dopolnilo iz programa opreme.
	Električnih naprav, baterij/akumulatorjev ni dovoljeno odstranjevati skupaj z gospodinjstvi odpadki. Električne naprave in akumulatorje je potrebno zbirati ločeno in za okolju prijazno odstranitev, oddati podjetju za reciklažo. Pri krajevnem uradu ali vašem strokovnem prodajalcu se pozanimajte glede reciklažnih dvorišč in zbirnih mest.
	Evropska oznaka za združljivost
	Britanska oznaka za združljivost
	Ukrajinska oznaka za združljivost
	Evrazijska oznaka za združljivost

TEHNIČKI PODACI	REZAČ	M12 FCOT
Broj proizvodnje.....	4679 85 02... ...000001-999999	
Nazivni broj okretaja.....	20000 min ⁻¹	
	D=Rezačke ploče- \emptyset 76 mm d=otvor sa \emptyset 10 mm b=Debljina rezne ploče min. / max..... 1 mm / 3,2 mm	
Dubina rezanja.....	16,3 mm	
Širina rezanja.....	min. 1 mm / max. 3,2 mm	
Napon baterije za zamjenu.....	12 V	
Težina po EPTA-proceduri 01/2014 (6,0 Ah).....	1,3 kg	
Preporučena temperatura okoline kod rada.....	-18...+50 °C	
Preporučeni tipovi akumulatora.....	M12B2...M12B6	
Preporučeni punjači.....	C12C,M12C4, M12-18AC,M12-18C, M12-18C3, M12-18FC,...	

Informacije o buci/vibracijama (rezanje betona)

Mjerne vrijednosti utvrđene odgovarajuće EN 60 745.	
A-procjenjeni nivo pritiska zvuka aparata iznosi tipično	
Nivo pritiska zvuka (Nesigurnost K=3dB(A)).....	105 dB (A)
Nivo učinka zvuka (Nesigurnost K=3dB(A)).....	94 dB (A)

Nositi zaštitu sluha!

Ukupne vrijednosti vibracije (Vektor suma tri smjera) su odmjerene odgovarajuće EN 60745

Vrijednost emisije vibracije $a_{h,sc}$	2,9 m/s ²
Nesigurnost K=.....	1,5 m/s ²

UPOZORENJE

Ova u ovim uputama navedena razina titranja je bila izmjerena odgovarajuće jednom u EN 60745 normiranom mjernom postupku i može se upotrijebiti za usporedbu električnog alata međusobno. Ona je prikladna i za privremenu procjenu titrajnog opterećenja.

Navedena razina titranja reprezentira glavne primjene električnog alata. Ukoliko se električni alat upotrebljava u druge svrhe sa odstupajućim primijenjenim alatima ili nedovoljnim održavanjem, onda razina titranja može odstupati. To može titrajno opterećenje kroz cijeli period rada bitno povisiti.

Za točnu procjenu titrajnog opterećenja se moraju uzeti u obzir i vremena u kojima je uređaj isključen ili u kojima doduše radi, ali nije i stvarno u upotrebi. To može titrajno opterećenje bitno smanjiti za vrijeme cijelog radnog perioda.

Utvrđite dodatne sigurnosne mjere za zaštitu poslužioca protiv djelovanja titranja kao npr.: Održavanje električnih alata i upotrebljenih alata, održavanje topline ruku, organizacija i radne postupke.

UPOZORENJE! Pročitajte molimo sve sigurnosna upozorenja i upute. Ako se ne bi poštivala napomene o sigurnosti i upute to bi moglo uzrokovati strujni udar, požar i/ili teške ozljede.
Sačuvajte sve napomene o sigurnosti i upute za buduću primjenu.

SIGURNOSNE UPUTE ZA KRUŽNE PILE

a) Zaštitna hauba koja spada uz električni alat mora na siguran način biti postavljena i tako podešana, da se postigne najveća mjera sigurnosti, t.j. najmanji mogući dio brusnog tijela pokazuje otvoreno prema poslužiocu. Držite sebe i osobe koje se nalaze u blizini izvana ravnine rotirajućih brusnih ploča. Zaštitna hauba bi trebala poslužiocu štiti od ulomaka i slučajnog kontakta sa brusnim tijelom.

b) Upotrijebite isključivo vezane pojačane ili dijaman- tom opremljene rezne ploče za vaš električni alat. Sam razlog, da pribor možete pričvrstiti na vaš električni alat, ne garantira sigurnu uporabu.

c) Dozvoljeni broj okretaja alatnih nastavaka mora najmanje biti toliki kao što je i najveći broj okretaja naveden na električnom alatu. Oprema koja ima veći broj okretaja od dozvoljenog može se polomiti i razletjeti.

d) Brusna tijela se smiju koristiti samo za preporučene mogućnosti primjene. Npr.: ne brusite nikada sa bočnom površinom brusne ploče za rezanje. Brusne ploče za rezanje predviđene su za rezanje materijala sa rubom ploče. Bočnim djelovanjem na ova brusna tijela one se mogu polomiti.

e) Za od Vas izabranu reznu ploču uvijek koristite zdravu priteznu prirubnicu sa pravilnim promjerom. Odgovarajuća prirubnica podupire reznu ploču i na ovaj način smanjuje mogućnost lomljenja ploče.

f) Ne koristite istrošene brusne ploče velikih električnih alata. Brusne ploče za velike električne alate nisu predviđene za veće brojeve okretaja manjih električnih alata i mogu puknuti.

g) Vanjski premjer i debljina korištenog alata moraju biti sukladni mjerama Vašeg električnog stroja. Alati sa ne primjernim mjerama se ne mogu dovoljno pokriti i kontrolirati.

h) Brusne ploče i prirubnice moraju točno pristajati na brusno vreteno vašeg električnog alata. Ugradni alati koji ne pristaju točno na brusno vreteno električnog alata se vrte neravnomjerno, vrlo jako vibriraju i mogu dovesti do gubitka kontrole.

i) Nemojte koristiti oštećene brusne ploče. Kontrolirajte prije svake primjene brusne ploče u svezi krhkosti i pukotina. Ako električni alat ili brusna ploča padnu na pod, provjerite da li su oštećene, ili uporabite jednu neoštećenu reznu ploču. Kada ste brusnu ploču prekontrolirali i umetnuli, držite sebe i osobe koje se nalaze u blizini izvana ravnine rotirajućih brusnih ploča i pustite uređaj da jednu minutu radi pod najvećim brojem okretaja. Oštećene brusne ploče se za vrijeme ovog testa uglavnom polome.

j) Nosite osobnu zaštitnu opremu. Ovisno od primjene koristite masku za zaštitu lica i zaštitne naočale. Ukoliko je to potrebno, nosite masku za zaštitu od prašine, štitnike za sluh, zaštitne rukavice ili specijalne pregače, koje će vas zaštititi od sitnih čestica od brušenja i ma-

terijala. Oči treba zaštititi od letećih stranih tijela koja nastaju kod različitih primjena. Zaštitne maske protiv prašine ili za disanje moraju filtrirati prašinu nastalu kod primjene. Ako ste dulje vrijeme izloženi buci, mogao bi vam se pogoršati sluh.

k) Pazite, da su druge osobe na bezopasnoj udaljenosti od Vaše radne zone. Svako, ko ulazi u radnu zonu mora imati sredstva osobne zaštite. Odlomljeni dijelovi obrađivanog materijala ili pokvareni alat mogu odskočiti i izazvati oštećenje ljudi čak i izvan neposredne radne zone.

l) Držite spravu na izoliranim držačkim površinama kada izvodite radove kod kojih rezački alat može pogoditi skrivene vodove struje ili osobni kabel. Kontakt rezačkog alata sa vodovima koji sprovode naponom može metalne dijelove sprave dovesti pod napon i tako dovesti do električnog udara.

m) Priključni kabel držite dalje od rotirajućeg radnog alata. Ako bi izgubili kontrolu nad električnim alatom, mogao bi se odrezati ili zahvatiti priključni kabel, a mogao bi zahvatiti i vaše ruke i šake.

n) Nikad ne ostavljajte električni stroj bez nadzora, dok se alat ne zaustavi potpuno. Alat koji se vrti može doći u kontakt sa površinom, na kojoj ste ostavili stroj, pri tome lako izgubite kontrolu nad strojem.

o) Ne dopustite da električni alat radi dok ga nosite. Rotirajući radni alat bi slučajnim kontaktom mogao zahvatiti vašu odjeću, a radni alat bi vas mogao ozlijediti.

p) Redovito čistite otvore za hlađenje vašeg električnog alata. Ventilator motora uvlači prašinu u kućište električnog alata, a veliko nakupljanje metalne prašine može uzrokovati električne opasnosti.

q) Ne koristite električni stroj u blizini eksplozivnih tvari. Iskre mogu zapaliti ove materijale.

r) Ne koristite alat, koji se mora hladiti tekućinama. Upotreba vode ili drugih tekućina za hlađenje mogu izazvati kratki spoj.

Ostale sigurnosne upute za rezačko brusnu primjenu

„Trzaj“ stroja i odgovarajuće sigurnosne upute

Povratni udarac je jedna nagla reakcija usljed jedne zakačene ili blokirane okretajuće brusne ploče. Zakačenost ili blokiranje vodi do naglog zaustavljanja rotirajućeg električnog alata. Time se nekontrolirani električni alat suprotno smjeru okretanja ugradnog alata ubrzava na blokirnom mjestu.

Ako bi se npr. brusna ploča zaglavila ili blokirala u izratku, tada rub brusne ploče koja je zarezala u izradak može odlomiti brusnu ploču ili uzrokovati povratni udar. Brusna ploča se kod toga pomiče prema osobi koja rukuje električnim alatom ili od nje, ovisno od smjera rotacije brusne ploče na mjestu blokiranja. Kod toga se brusne ploče mogu i odlomiti.

Povratni udar je posljedica pogrešne ili neispravne uporabe električnog alata. On se može spriječiti prikladnim mjerama opreza, kao što su dolje opisane.

a) Električni alat držite čvrsto i vaše tijelo u ruke dovedite u položaj u kojem možete preuzeti silu povratnog udara. Ukoliko postoji koristite uvijek dodatnu ručku, kako bi imali najveću moguću kontrolu nad silama povratnog udara ili momentima reakcije kod rada električnog alata. Osoba koja rukuje električnim alatom može prikladnim mjerama opreza ovladati povratnim udarom ili silama reakcije.

b) Vaše ruke nikada ne stavljajte blizu rotirajućeg radnog alata. Radni alat se kod povratnog udara može pomaknuti preko vaših ruku.

c) Izbjegavajte područje ispred i iza rotirajuće rezačke ploče. Povratni udarac poganja električni alat u suprotnom smjeru kretanja brusne ploče na blokirnom mjestu.

d) Posebno opreznim radom u području uglova, oštri rubova, itd. spriječit ćete da se radni alat odbaci od izratka i da se u njemu uklješti. Rotirajući radni alat kada se odbije na uglovima ili oštrim rubovima, sklon je uklještenju. To uzrokuje gubitak kontrole nad radnim alatom ili povratni udar.

e) Nemojte primijenjivati lančani ili nazubljeni list pile niti segmentiranu dijaman- tu ploču sa širinom proreza većom od 10 mm. Ovakvi ugradni alati prouzrokuju često povratni udar ili gubitak kontrole nad električnim alatom.

f) Izbjegavajte blokiranje brusnih ploča za rezanje ili preveliki pritisak. Ne izvodite prekomjerno duboke rezove. Preopterećenje brusnih ploča za rezanje povećava njihovo naprezanje i sklonost skošenja iz vertikalnog položaja ili blokiranja i time mogućnost povratnog udara ili loma brusne ploče.

g) Ukoliko bi se brusna ploča za rezanje uklještila ili vi prekidate rad, isključite električni alat i držite ga mirno, sve dok se brusna ploča ne zaustavi. Ne pokušavajte nikada brusnu ploču koja se još vrti vaditi iz reza, jer bi inače moglo doći do povratnog udara. Ustanovite i otklonite uzrok uklještenja.

h) Ne uključujte ponovno električni alat sve dok se brusna ploča za rezanje nalazi zarezana u izratku. Prije nego što oprezno nastavite sa rezanjem, ostavite da brusna ploča za rezanje prvo postigne svoj puni broj okretaja. Inače bi se brusna ploča mogla zaglaviti, odskočiti iz izratka ili uzrokovati povratni udar.

i) Podložite ploče ili velike izratke, kako bi se izbjegla opasnost povratnog udara od uklještenih brusnih ploča za rezanje. Veliki izraci se mogu prognuti pod djelovanjem svoje vlastite težine. Izradak se mora osloniti na obje strane, i to kako u blizini brusne ploče za rezanje, tako i na rubu.

j) Budite posebno oprezni kod zarezivanja postojećih zidova ili na drugim nevidljivim područjima. Brusna ploča za rezanje koja je zarezala plinske ili vodovodne cijevi, električne vodove ili ostale objekte, može uzrokovati povratni udar.

OSTALE SIGURNOSNE I RADNE UPUTE

Dozvoljeni broj okretaja alatnih nastavaka mora najmanje biti toliki kao što je i najveći broj okretaja naveden na električnom alatu. Oprema koja ima veći broj okretaja od dozvoljenog može se polomiti i razletjeti.

Upotrebljavati zaštitnu opremu. Kod radova sa strojem uvijek nositi zaštitne naočale. Preporučuje se zaštitna odjeća, kao zaštitna maska protiv prašine, zaštitne rukavice, čvrste i protiv klizanja sigurne cipele, šljem i zaštitu sluha.

UPOZORENJE Zbog smanjenja rizika povrijeđivanja kod radova sa znatnim razvojem prašine, preporučujemo primjenu jednog Milwaukee rješenja usisavanja prašine po uputi za posluživanje.

Prašina koja nastaje prilikom rada je često nezdrava i ne bi smjela dospjeti u tijelo. Nositi prikladnu zaštitnu masku protiv prašine.

Ne smiju se obrađivati nikakvi materijali, od kojih prijeto opasnost po zdravlje (npr. azbest).

Kod blokiranja alata koji se upotrebljava uređaj molimo odmah isključiti! Uređaj nemojte ponovno uključiti za vrijeme dok je alat koji se upotrebljava blokiran; time može doći do povratnog udara sa visokim reakcijskim momentom. Pronađite i otklonite uzrok blokiranja alata koji se upotrebljava uz poštivanje sigurnosnih uputa.

Mogući uzroci tome mogu biti:

- Izobličavanje u izratku koji se obrađuje
- Probijanje materijala koji se obrađuje
- Preopterećenje električnog alata

Nemojte sezati u stroj koji radi.

Upotrebljeni alat se može za vrijeme korištenja zagrijati.

- kod promjene alata
- kod odlaganja uređaja

Kod radova na zidu, stropu ili podu paziti na električne kablove kao i vodove plina i vode.

Prije svih radova na stroju izvaditi bateriju za zamjenu.

Istrošene baterije za zamjenu ne baciti u vatru ili u kućno smeće. Milwaukee nudi mogućnost uklanjanja starih baterija odgovarajuće okolini. Milwaukee nudi mogućnost uklanjanja starih baterija odgovarajuće okolini; upitajte molimo Vašeg stručnog trgovca.

Baterije za zamjenu ne čuvati skupa sa metalnim predmetima (opasnost od kratkog spoja).

Baterije sistema M12 puniti samo sa uređajem za punjenje sistema M12. Ne puniti baterije iz drugih sistema.

Baterije za zamjenu i uređaje za punjenje ne otvarati i čuvati ih samo u suhim prostorijama. Čuvati protiv vlage.

Pod ekstremnim opterećenjem ili ekstremne temperature može iz oštećenih baterija iscuriti baterijska tekućina. Kod dodira sa baterijskom tekućinom odmah isprati sa vodom i sapunom. Kod kontakta sa očima odmah najmanje 10 minuta temeljno ispirati i odmah potražiti liječnika.

Upozorenje! Zbog izbjegavanja opasnosti od požara jednim kratkim spojem, opasnosti od ozljeda ili oštećenja proizvoda, alat, izmjenjivi akumulator ili napravu za punjenje ne uronjavati u tekućine i pobrinite se za to, da u uređaje ili akumulator ne prodiru nikakve tekućine. Korozirajuće ili vodljive tekućine kao slana voda, određene kemikalije i sredstva za bijeljenje ili prozvoditi koji sadrže sredstva bijeljenja, mogu prouzročiti kratak spoj.

PROPISNJA UPOTREBA

Ovaj alat za rezanje namijenjen je za rezanje različitih materijala.

Ovaj aparat se smije upotrijebiti samo u određene svrhe kao što je navedeno.

Da bi se rizik ozljeđivanja sveo na minimum uporabite dijamantne brusne ploče tipa 1 maksimalne debljine od 3,2 mm koje mogu raditi s jednim minimalnim brojem okretaja od 20.000 min-1. Brusne ploče tipa 1 su prikladne samo za rubno brušenje a ne za plošno brušenje. Poštujte molimo sve sigurnosne upute koje se isporučuju skupa sa pločama za odrezno brušenje.

Uporabite sljedeći pregled za izbor prikladne brusne ploče. Zavisno o materijalu se moraju koristiti različite brusne ploče. Poštujte upute za uporabu od strane proizvođača brusnih ploča.

Tip ploče	Za brušenje
Karbidne brusne ploče	Gipskartonske ploče, vlaknasti cement, plastika
Odrezne brusne ploče	Čelik, plemeniti čelik, materijali koji ne sadrže željezo
Dijamantne brusne ploče	Keramičke pločice, beton, opeka, keramika

CE-IZJAVA KONFORMNOSTI

Izjavljujemo na osobnu odgovornost, da je proizvod opisan pod „Tehnički podaci“, sukladan sa svim relevantnim propisima smjernice 2011/65/EU (RoHS), 2014/30/EU, 2006/42/EC i sa slijedećim harmoniziranim normativnim dokumentima:

EN 60745-1:2009+A11:2010
 EN 60745-2-22:2011+A11:2013
 EN 55014-1:2017+A11:2020
 EN 55014-2:2015
 EN IEC 63000:2018

Winnenden, 2020-10-29

Alexander Krug
 Managing Director



Ovlašten za formiranje tehničke dokumentacije.

Teichronic Industries GmbH
 Max-Eyth-Straße 10
 71364 Winnenden
 Germany

BATERIJE

Baterije koje duže vremena nisu korištene, prije upotrebe napuniti.

Temperatura od preko 50°C smanjuje učinak baterija. Duže zagrijavanje od strane sunca ili grijanja izbjeci.

Priključne kontakte na uređaju za punjenje i baterijama držati čistima.

Za optimalni vijek trajanja se akumulatori poslije upotrebe moraju sasvim napuniti.

Za što moguće duži vijek trajanja, akumulatori se nakon punjenja moraju odstraniti iz punjača.

Kod skladištenja akumulatora duže od 30 dana: Akumulator skladištiti na suhom kod ca. 27°C. Akumulator skladištiti kod ca. 30%-50% stanja punjenja. Akumulator ponovno napuniti svakih 6 mjeseci.

ZAŠTITA OD PREOPTEREĆENJA AKUMULATORA

Akkupack je opremljen jednom zaštitom protiv preopterećenja, koja akumulator štiti protiv preopterećenja i osigurava dugi vijek.

Kod ekstremno jakih opterećenja, elektronika akumulatora automatski isključuje stroj. Za nastavak rada stroja isključiti i ponovno uključiti. Ako se stroj ponovno ne pokrene, Akkupack je eventualno ispražnjen i mora se na punjaču ponovno napuniti.

TRANSPORT LITIJSKIH IONSKIH BATERIJA

Litijske-ionske baterije spadaju pod zakonske odredbe u svezi transporta opasne robe.

Prijevoz ovih baterija mora uslijediti uz poštivanje lokalnih, nacionalnih i internacionalnih propisa i odredaba.

- Korisnici mogu bez ustručavanja ove baterije transportirati po cestama.
- Komercijalni transport litijsko-ionskih baterija od strane transportnih poduzeća spada pod odredbe o transportu opasne robe. Otpremničke priprave i transport smiju izvoditi isključivo odgovarajuće školovane osobe. Kompletni proces se mora pratiti na stručan način.

Kod transporta baterija se moraju poštivati slijedeće točke:

- Uvjerite se da su kontakti zaštićeni i izolirani kako bi se izbjegli kratki spojevi.
- Pazite na to, da blok baterija unutar pakiranja ne može proklizavati.
- Oštećene ili iscurjele baterije se ne smiju transportirati.

U svezi ostalih uputa obratite se vašem prijevoznom poduzeću.

ODRŽAVANJE

Proreze za prozračivanje stroja uvijek držati čistima.

Prije priključivanja ili uklanjanja lista pile osigurajte da je alat iskopčan iz izvora za napajanje.

Aparat i zaštitni uređaj čistite jednom suhom krpom. Neka sredstva za čišćenje oštećuju plastiku ili druge izolirane dijelove. Aparat čuvati čistim i suhim kao i bez iscurjelog ulja i masti. Provjerite funkciju zaštitnih kapa. Redovito

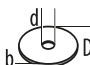
održavanje i čišćenje se brinu za dugi vijek trajanja i sigurno rukovanje.

Primijeniti samo Milwaukee opremu i Milwaukee rezervne dijelove. Sastavne dijelove, čija zamjena nije opisana, dati zamijeniti kod jedne od Milwaukee servisnih službi (poštivati brošuru Garancija/Adrese servisa).

Po potrebi se crtež pojedinih dijelova aparata uz navođenje podatka o tipu stroja i šestznamenastog broja na pločici snage može zatražiti kod vašeg servisa ili direktno kod Teichronic Industries GmbH, Max-Eyth-Straße 10, 71364 Winnenden, Njemačka.

SIMBOLI

	PAŽNJA! UPOZORENIE! OPASNOST!
	Prije svih radova na stroju izvaditi bateriju za zamjenu.
	Molimo da pažljivo pročitate uputu o upotrebi prije puštanja u rad.
	Nositi zaštitne rukavice!
	Nositi zaštitu sluha!
	Kod radova na stroju uvijek nositi zaštitne naočale. Nositi prikladnu zaštitnu masku protiv prašine.
	Oprema - u opsegu isporuke nije sadržana, preporučena dopuna iz promgrama opreme.
	Elektroređaji, baterije/akumulatori se ne smiju zbrinjavati skupa sa kućnim smećem. Električni uređaji akumulatori se moraju skupljati odvojeno i predati na zbrinjavanje primjereno okolišu jednom od pogona za iskorišćavanje. Raspitajte se kod mjesnih vlasti ili kod stručnog trgovca u svezi gospodarstva za recikliranje i mjesta skupljanja.
	Europski znak suglasnosti
	Britanski znak suglasnosti
	Ukrajinski znak suglasnosti
	Euroazijski znak suglasnosti

TEHNISKIE DATI	LENKA SLĪPMAŠĪNU	M12 FCOT
Izlaides numurs	4679 85 02...	...000001-999999
Nominālais griešanās ātrums	20000 min ⁻¹	
 D=Griešanas diska diametrs	76 mm	
d=urbuma ø	10 mm	
b=Griešanas diska biezums min. / maks.....	1 mm / 3,2 mm	
griezuma dziļums.....	16,3 mm	
Griezuma plātums	min. 1 mm / max. 3,2 mm	
Akumulātorā spriegums.....	12 V	
Svars atbilstoši EPTA -Procedure 01/2014 (6,0 Ah).....	1,3 kg	
Leteicamā vides temperatūra darba laikā.....	-18...+50 °C	
Leteicamā akumulatoru tipi.....	M12B2...M12B6	
Leteicamās uzlādes ierīces	C12C,M12C4, M12-18AC,M12-18C, M12-18C3, M12-18FC,...	

Trokšņu un vibrāciju informācija (betona griešana)
 Vērtības, kas noteiktas saskaņā ar EN 60 745. Instrumenta tipiskais pēc A vērtētais trokšņa spiediena līmenis parasti sastāda Trokšņa spiediena līmenis (Nedrošība K=3dB(A))..... 105 dB (A)
 Trokšņa jaudas līmenis (Nedrošība K=3dB(A))..... 94 dB (A)

Nēsāt trokšņa slāpētājus!
 Svārstību kopējā vērtība (Trīs virzienu vektoru summa) tiek noteikta atbilstoši EN 60745.
 Svārstību emisijas vērtība a_{n,sg}..... 2,9 m/s²
 Nedrošība K=..... 1,5 m/s²

UZMANĪBU

Instrukcijā norādītā svārstību robežvērtība ir izmērīta mērījumu procesā, kas veikts atbilstoši standartam EN 60745, un to var izmantot elektroinstrumentu savstarpējai salīdzināšanai. Tā ir piemērota arī svārstību noslogojuma pagaidu izvērtēšanai.

Norādītā svārstību robežvērtība ir reprezentatīva elektroinstrumenta pamata pielietojuma jomām. Tomēr, ja elektroinstrumentus tiek pielietots citās jomās, papildus izmantojot neatbilstošus elektroinstrumentus vai pēc nepietiekamas tehniskās apkopes, tad svārstību robežvērtība var atšķirties. Tas var ievērojami palielināt svārstību noslogojumu visa darba laikā.

Precīzai svārstību noslogojuma noteikšanai, ir jāņem vērā arī laiks, kad ierīces ir izslēgta vai arī ir ieslēgta, tomēr faktiski netiek lietota. Tas var ievērojami samazināt svārstību noslogojumu visa darba laikā.

Integrējiet papildus drošības pasākumus pret svārstību ietekmi lietotājam, piemēram: elektroinstrumentu un darba instrumentu tehniskā apkope, roku siltuma uzturēšana, darba procesu organizācija.

▲ BRĪDINĀJUMS! Izlasiet visus drošības brīdinājumus un instrukcijas. Šeit sniegto drošības noteikumu un norādījumu neievērošana var izraisīt aizdegšanos un būt par cēloni elektriskajam triecienam vai nopietnam savainojumam. **Pēc izlasīšanas uzglabājiet šos noteikumus turpmākai izmantošanai.**

▲ RIPZĀGA DROŠĪBAS NORĀDES

a) Elektroinstrumentam piederošais aizsargapvalks ir droši jānostiprina un jāiestata tā, lai tiktu sasniegta pēc iespējas labāka drošība, t.i., operators var saredzēt tikai pavisam mazu griezējriņas daļu. Neatrodieties pašā un neļaujiet atrasties citiem rotējošas griezējriņas līmenī. Aizsargapvalks pasargā operatoru no atūlžām un nejaušas pieskaršanās griezējriņai.

b) Elektroinstrumentiem izmantojiet tikai nostiprinātas rūdītas vai ar dimantu pārklātas griezējriņas. Ja Jūsu elektroinstrumentam ir iespējams piestiprināt attiecīgo papildrīku, kas automātiski nenozīmē, ka to ir iespējams droši izmantot.

c) Iesaistāmā instrumenta pieļaujamajam apgriezīnu skaitam jābūt vismaz tik augstam kā uz elektroinstrumenta norādītajam maksimālajam apgriezīnu skaitam. Aprikojums, kurš rotē ātrāk par pieļaujamo ātrumu, var salūzt un tikt atmests atpakaļ!

d) Slīpēšanas darbinstrumentu drīkst izmantot vienīgi tādā veidā, kādam tas ir paredzēts. Piemēram, nekad neizmantojiet slīpēšanai griešanas diska sānu virsmu. Griešanas diski ir paredzēti materiālu apstrādei ar malas griezējšautni. Stiprs spiediens sānu virzienā var salauzt šo darbinstrumentu.

e) Vienmēr izmantojiet nebojātus pareizā izmēra spriegošanas atlokus atbilstoši Jūsu izvēlētajam

griezējdiskam. Atbilstošie atloki balsta griezējdisku un tādējādi samazina griezējdiska salūšanas risku.

f) Neizmantojiet nolietotus slīpēšanas diskus, kas paredzēti lielākas jaudas elektroinstrumentiem. Lielākiem elektroinstrumentiem paredzētie slīpēšanas diski nav piemēroti darbam mazākos elektroinstrumentos, kuri griešanās ātrums parasti ir lielāks, un tāpēc tie darba laikā var salūzt.

g) Darba instrumenta ārējā diametram un biežumam ir jāatbilst Jūsu elektroinstrumenta norādītajiem izmēriem. Nepareiza izmēra darba instrumentus nav iespējams pietiekami nosēgt vai kontrolēt.

h) Slīpēšanas diskiem un atlokiem ir ideāli jāsadē ar elektroinstrumenta slīpēšanas vārpstu. Darba rīki, kas ideāli nesader ar vārpstu, griežas nevienmērīgi, ļoti spēcīgi vibrē un var izraisīt kontroles zaudēšanu.

i) Neizmantojiet bojātus slīpēšanas diskus. Pirms katras izmantošanas reizes pārbaudiet, vai slīpēšanas diskam nav radušās plaisas vai robi. Ja elektroinstrumentus vai slīpēšanas diskus nokrīt, pārbaudiet, vai tas nav ticis bojāts, vai izmantojiet nebojātu slīpēšanas disku. Ja vēlaties pārbaudīt slīpēšanas diska veselumu, neatrodieties pats un nelaidiet citus vienā līmenī ar slīpēšanas disku, ieslēdziet iekārtu ar maksimālajiem apgriezīniem un ļaujiet tai darboties aptuveni vienu minūti. Bojāts slīpēšanas diski parasti šajā laikā saplīstu.

j) Lietojiet individuālos darba aizsardzības līdzekļus. Atkarībā no veicamā darba rakstura izvēlieties pilnu sejas aizsargu, noslēdzošas aizsargbrilles vai parastās aizsargbrilles. Lai aizsargātos no lidojošajām slīpēšanas darbinstrumenta un apstrādājamā materiāla daļiņām, pēc vajadzības lietojiet putekļu aizsargmasku, ausu aizsargus un aizsargcimdus vai arī īpašu priekšautu. Lietotāja acis jāpasargā no lidojošajiem svešķermeņiem,

kas dažkārt rodas darba gaitā. Putekļu aizsargmaskai vai respiratoram jāpasargā lietotāja elpošanas ceļi no putekļiem, kas veidojas darba laikā. Ilgstoši atrodoties stipra trokšņa iespaidā, var rasties paliekoši dzirdes traucējumi.

k) Sekojiet, lai citas personas atrastos drošā attālumā no Jūsu darba zonas. Ikvienam, kurš ienāk darba zonā, jāvalkā individuālais aizsargaprīkojums. Sagataves vai salūzušu darba instrumentu atūlžas var aizlidot tālāk un radīt savainojumus arī ārpus tiešās darba zonas.

l) Lerīci turiet aiz izlōdītiem rokturiem, ja veicat darbus, kuros griešanas darbiem izmantojamais instruments var skart paslēptus elektrovadus vai pats savu kabeli. Šī instrumenta saskare ar strāvu vadīšiem kabeļiem var radīt spriegumu arī ierīces metāliskajās daļās un var izraisīt elektrisko triecienu.

m) Netuviniet rotējošu darbinstrumentu elektroka-beim. Zīdot kontrolei pār instrumentu, darbinstruments var pārgriezt kabeli vai iekertes tajā, kā rezultātā kāda no lietotāja ķermeņa daļām var saskarties ar rotējošo darbinstrumentu.

n) Nekad nenolieciet elektroinstrumentu malā, pirms nav pilnībā apstājies darba instruments. Rotējošais darba instruments var saskarties ar pamatni, kā rezultātā Jūs varat zaudēt kontroli pār elektroinstrumentu.

o) Nedarbiniet elektroinstrumentu laikā, kad tas tiek pārvietots. Lietotāja apģērbs vai mati var nejauši nonākt saskarē ar rotējošo darbinstrumentu un iekertes tajā, izraisot darbinstrumenta saskaršanos ar lietotāja ķermeni.

p) Regulāri tīriet elektroinstrumenta ventilācijas atveres. Dzinēju ventilējošā gaisa plūsma ievēl putekļus instrumenta korpusā, bet liela metāla putekļu daudzuma uzkrāšanās var būt par cēloni elektrotraumai.

q) Nelietojiet elektroinstrumentu uzliesmojošu materiālu tuvumā. Šos materiālus var aizdedzināt dzirksteles.

r) Neizmantojiet darba instrumentus, kuri dzesēšanai ir nepieciešami šķidrī dzesēšanas līdzekļi. Ūdens vai citu šķidrū dzesēšanas līdzekļu izmantošana var izraisīt elektriskās strāvas triecienu.

Papildus norādes griezējriņu izmantošanai

Atsitiens un attiecīgā drošības norādījumi:

Atsitiens ir pēkšņa reakcija, kas rodas, ja kustībā esošs slīpēšanas disks iekeras vai tiek nobloķēts. Iekēršanās vai bloķēšana rada pēkšņu elektroiekārtas rotējošās daļas apstāšanās. Tādā veidā nekontrolēts elektroinstrumenta bloķētajā vietā strauji virzīsies pretēji darba rīka griešanās virzienam.

Ja, piemēram, slīpēšanas diska iekeras vai iestrēgst apstrādājamajā priekšmetā, tajā iegremdētā diska mala var izrūties no apstrādājamā materiāla vai izraisīt atsitienu. Šādā gadījumā slīpēšanas diska pārvietošana lietotāja virzienā vai arī prom no viņa, atkarībā no diska rotācijas virziena attiecībā pret apstrādājamo priekšmetu, Turklāt slīpēšanas diski var salūzt.

Atsitiens ir sekas elektroinstrumenta nepareizai vai neprasmīgai lietošanai. No tā var izvairīties, ievērojot zināmus piesardzības pasākumus, kas aprakstīti turpmākajā izklāstā.

a) Stingri turiet elektroinstrumentu un ienemiet tādu ķermeņa un roku stāvokli, kas vislabāk ļautu pretoties atsitiens spēkam. Vienmēr izmantojiet papildrokturi, kas ļauj optimāli kompensēt atsitienu vai reaktīvo griezes momentu un saglabāt kontroli pār instrumentu. Veicot zināmus piesardzības pasākumus, lietotājs jebkurā situācijā spēj efektīvi pretoties atsitienu un reaktīvajam griezes momentam.

b) Netuviniet rokas rotējošam darbinstrumentam. Atsitiens un gadījumā darbinstruments var skart ar lietotāja roku.

c) Izvairieties no zonas rotējoša griezējdiska priekšā un aizmugurē. Atsitiens gadījumā elektroiekārta bloķētajā

punktā tiks atsviesta atpakaļ pretēji darba rīka griešanās virzienam.

d) Ievērojiet īpašu piesardzību, strādājot stūru un asu malu tuvumā. Nepieļaujiet, lai darbinstruments atlektu no apstrādājamā priekšmeta vai iestrēgtu tajā. Saskaņoties ar stūriem vai asām malām rotējošais darbinstruments izliecas un atlec no apstrādājamā priekšmeta vai iestrēgst tajā. Tas var būt par cēloni kontroles zaudēšanai pār instrumentu vai atsitienu.

e) Neizmantojiet ķēdes vai zobaino zāgrūpi, kā arī segmentētās dimanta griezējriņas ar vairāk nekā 10 mm lielām spraugām. Šādi darba rīki bieži izraisa atsitienu vai kontroles zudumu pār elektroinstrumentu.

f) Neizdarīet pārlieku lielu spiedienu uz griešanas disku un nepieļaujiet tā iestrēgšanu. Neveidojiet pārāk dziļus griezumus. Pārslūgojot griešanas disku, tas biežāk iekeras vai iestrēgst griezumā, un līdz ar to pieaug arī atsitienu vai darbinstrumenta salūšanas iespēja.

g) Pārtraucot darbu vai iestrēgstot griešanas diskam, izslēdziet elektroinstrumentu un turiet to nekustīgi, līdz griešanas disks pilnīgi apstājas. Nemēģiniet izvilkēt no griezuma vēl rotējošu griešanas disku, jo šāda darbība var būt par cēloni atsitienu. Noskaidrojiet un novērsiet diska iestrēgšanas cēloni.

h) Neieslēdziet elektroinstrumentu no jauna, ja tajā iestiprinātais darbinstruments atrodas griezuma vietā. Pēc ieslēgšanas nogaidiet, līdz darbinstruments sasniedz pilnu griešanās ātrumu, un tikai tad uzmanīgi turpiniet griešanu. Pretējā gadījumā griešanas disks var iekertes griezumā vai izlekt no tā, kā arī var notikt atsitiens.

i) Lai samazinātu atsitienu risku, iestrēgstot griešanas diskam, atbalstiet griezamā materiāla lokšnes vai liela izmēra apstrādājamās priekšmetus. Lieli priekšmeti var saliekties pašā sava svara iespaidā. Apstrādājamais priekšmets jāatbalsta abās pusēs – gan griezuma tuvumā, gan arī priekšmeta malā.

j) Levērojiet īpašu piesardzību, veidojot padziļinājumus sienās vai citos objektos, kas nav aplūkojami no abām pusēm. Iegremdējot griešanas disku materiālā, tas var skart gāzes vadu, ūdensvadu, elektropārvades līniju vai citu objektu, kas savukārt var izraisīt atsitienu un/vai būt par cēloni savainojumam.

CITAS DROŠĪBAS UN DARBA INSTRUKCIJAS

Iesaistāmā instrumenta pieļaujamajam apgriezīnu skaitam jābūt vismaz tik augstam kā uz elektroinstrumenta norādītajam maksimālajam apgriezīnu skaitam. Aprikojums, kurš rotē ātrāk par pieļaujamo ātrumu, var salūzt un tikt atmests atpakaļ!

Jāizmanto aizsargaprīkojums. Strādājot ar mašīnu, vienmēr jānēsā aizsargbrilles. Ieteicams nēsāt aizsargapģērbus, kā piemēram, aizsargmasku, aizsargcimdus, kurpes no stingra neslīdīga materiāla, ķiveri un ausu aizsargus.

BRĪDINĀJUMS Lai samazinātu savainošanas risku, veicot darbus ar ievērojami putekļu atstīšanās, iesakām izmantot Milwaukee putekļu nosūkšanas risinājumu atbilstīgi lietošanas pamācībai.

Putekļi, kas rodas darba gaitā, bieži ir kaitīgi veselībai un tiem nevajadzētu nokļūt organismā. Jānēsā piemērota maska, kas pasargā no putekļiem.

Nedrīkst apstrādāt materiālus, kas rada draudus veselībai (piemēram, azbestu).

Ja izmantojamais darba rīks tiek bloķēts, nekavējoties izslēgt ierīci! Neieslēdziet ierīci, kamēr izmantojamais darba rīks ir bloķēts; var rasties atsitiens ar augstu griezes momentu. Noskaidrojiet un novērsiet izmantojamā darba rīka bloķēšanas iemeslu, ievērojot visas drošības norādes.

Iespējamie iemesli:
 • iesprūdis apstrādājamajā materiālā
 • apstrādājamais materiāls ir caursists
 • elektroinstrumenti ir pārslūgoti

Leslēgtai ierīcei nepieskarties.

Izmantojamais darba rīks darba gaitā var stipri sakarst.

- veicot darba rīka nomaiņu
- noliekot iekārtu

Veicot darbus sienu, griestu un grīdas apvidū, vajag uzmanīties, lai nesabojātu elektriskos, gāzes un ūdens vadus.

Pirms mašīnai veikt jebkāda veida apkopes darbus, ir jāizņem ārā akumulators.

Izmantotos akumulārus nedrīkst mest ugunī vai parastajos atkritumos. Firma Milwaukee piedāvā iespēju vecos akumulātorus savākt apkārtējo vidi saudzējošā veidā; jautājiet specializētā veikalā.

Akumulātorus nav ieteicams glabāt kopā ar metāla priekšmetiem (iespējams īsslēgums).

M12 sistēmas akumulātorus lādēt tikai ar M12 sistēmas lādētājiem. Nedrīkst lādēt citus akumulātorus no citām sistēmām.

Akumulātorus un lādētājus nedrīkst taisīt vaļā un tie jāuzglabā sausās telpās.

Pie ārkārtas slodzes un ārkārtas temperatūrām no bojātā akumulātorā var izteciēt akumulātorā šķidrums. Ja nonākat saskarsmē ar akumulātorā šķidrumu, saskarsmes vieta nekavējoties jānomazgā ar ūdeni un ziepēm. Ja šķidrums nonācis acīs, acis vismaz 10 min. skalot un nekavējoties konsultēties ar ārstu.

Brīdinājums! Lai novērstu īssavienojuma izraisītu aizdegšanās, savainojumu vai produkta bojājuma risku, neiegremdējiet instrumentu, maināmo akumulatoru vai uzlādes ierīci šķidrums un rūpējieties par to, lai ierīcēs un akumulatoros neiekļūtu šķidrums. Koroziju izraisoši vai vadītspējīgi šķidrums, piemēram, sālsūdens, noteiktas ķīmikālijas, balinātāji vai produkti, kas satur balinātājus, var izraisīt īssavienojumu.

NOTEIKUMIEM ATBILSTOŠS IZMANTOJUMS

Šo griezējinstrumentu paredzēts izmantot dažādu materiālu griešanai.

Šo instrumentu drīkst izmantot tikai saskaņā ar minētajiem lietošanas noteikumiem.

Lai samazinātu savainojumu risku līdz minimumam, izmantojiet tikai dimanta slīpripu, 1. tipu, ar maksimālo biezumu 3,2 mm, ko var droši ekspluatēt ar minimālo apgriezīenu skaitu 20 000 min-1. 1. tipa slīpripas der tikai sānu, nevis virsmas slīpēšanai. Ievērojiet visas drošības norādes, kas tiek piegādātas kopā ar nogriešanas slīpripām.

Izmantojiet turpmāk sniegto pārskatu, lai izvēlētos piemērotu slīpripu. Atkarībā no materiāla ir jāizmanto dažādas slīpripas. Ievērojiet slīpripu ražotāja lietošanas norādes.

Ripas tips	Lai slīpētu
Karbīda slīpripas	Reģipsi, šķiedru cementu, plastmasu
Nogriešanas slīpripas	Tēraudu, nerūsējošo tēraudu, dzelzi nesaturošus materiālus
Dimanta slīpripas	Flīzes, betonu, ķieģeļus, keramiku

ATBILSTĪBA CE NORMĀM

Mēs apliecinām, ka produkts, kura tehniskie parametri aprakstīti „tehnisko datu lapā”, pilnībā atbilst prasībām saskaņā ar direktīvām 2011/65/EU (RoHS), 2014/30/ES, 2006/42/EK un attiecīgajiem harmonizētajiem normatīvajiem dokumentiem:

EN 60745-1:2009+A11:2010
EN 60745-2-22:2011+A11:2013
EN 55014-1:2017+A11:2020
EN 55014-2:2015
EN IEC 63000:2018

Winnenden, 2020-10-29

Alexander Krug
Managing Director



Pilnvarotais tehniskās dokumentācijas sastādītājs.

Techtronic Industries GmbH
Max-Eyth-Straße 10
71364 Winnenden
Germany

AKUMULĀTORI

Akumulatori, kas ilgāku laiku nav izmantoti, pirms lietošanas jāuzlādē.

Pie temperatūras, kas pārsniedz 50°C, akumulatoru darbība tiek negatīvi ietekmēta. Vajag izvairīties no ilgākas saules un karstuma iedarbības.

Lādētāja un akumulatoru pievienojuma kontakti jāuztur tīri.

Lai baterijām būtu optimāls mūžs, pēc lietošanas bateriju bloks pilnībā jāuzlādē.

Lai akumulatori kalpotu pēc iespējas ilgāku laiku, tos pēc uzlādes ieteicams atvienot no lādētāj ierīces.

Akumulatora uzglabāšana ilgāk kā 30 dienas: uzglabāt akumulatoru pie aptuveni 27° C un sausā vietā. Uzglabāt akumulatoru uzlādes stāvoklī aptuveni pie 30%-50%. Uzlādēt akumulatoru visus 6 mēnešus no jauna.

AKUMULATORA AIZSARDZĪBA PRET PĀRSLOGOJUMU

Akumulatoru bloks ir aprīkots ar pretpārslodzes aizsardzību, kas akumulatoru pasargā no pārslodzes un nodrošina ilgu tā kalpošanas laiku.

Ārkārtīgi augsta noslogojuma gadījumā akumulatora elektronika ierīci automātiski izslēdz. Lai darbu turpinātu, ierīci izslēdziet un atkal ieslēdziet. Ja ierīce neieslēdzas, iespējams, ka akumulatoru bloks ir izlādējies un ir jāuzlādē no jauna.

LITĪJA JONU AKUMULATORU TRANSPORTĒŠANA

Uz litija jonu akumulatoriem attiecas noteikumi par bīstamo kravu pārvadāšanu.

Šo akumulatoru transportēšana jāveic saskaņā ar vietējiem, valsts un starptautiskajiem normatīvajiem aktiem un noteikumiem.

- Patērētāja darbības, pārvadājot šos akumulatorus pa autoceļiem, nav reglamentētas.
- Uz litija jonu akumulatoru komerciālu transportēšanu, ko veic ekspedīcijas uzņēmums, attiecas bīstamo kravu pārvadāšanas noteikumi. Sagatavošanas darbus un transportēšanu drīkst veikt tikai atbilstoši apmācīts personāls. Viss process jāveda profesionāli.

Veicot akumulatoru transportēšanu, jāievēro:

- Pārliedziniet, ka kontakti ir aizsargāti un izolēti, lai izvairītos no īssavienojumiem.
- Pārliedziniet, ka akumulators iepakojumā nevar paslīdēt.
- Bojātus vai tekošus akumulatorus nedrīkst transportēt.

Plašāku informāciju Jūs varat saņemt no ekspedīcijas uzņēmuma.

APKOPE

Vajag vienmēr uzmanīties, lai būtu tīras dzesēšanas atveres.

Pirms zāģa asmens pievienošanas vai noņemšanas noteikti atslēdziet instrumentu no strāvas padeves.

Iekārtu un aizsardzības aprīkojumu jātīra ar tīru un sausu lupatīnu. Atsevišķi tīrīšanas līdzekļi var sabojāt plastmasas un citas izolējošās detaļas. Vienmēr rūpējieties, lai iekārta būtu sausa un tīra, kā arī lai uz tās nebūtu iztecējušas smērvielas paliekas. Pārbaudiet, vai aizsargaprīkojums darbojas pareizi. Regulāra iekārtas apkope un tīrīšana nodrošina tās ilgmūžību un drošu ekspluatāciju.

Izmantojiet tikai firmu Milwaukee piederumus un firmas Milwaukee rezerves daļas. Lieciet nomainīt detaļas, kuru nomaiņa nav aprakstīta, kādā no firmu Milwaukee klientu apkalpošanas servisiem. (Skat. brošūru “Garantija/klientu apkalpošanas serviss”.)

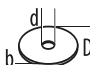
Pēc pieprasījuma, Jūsu Klientu apkalpošanas centrā vai pie Technotronic Industries GmbH, Max-Eyth-Straße 10, 71364 Winnenden, Vācijā, ir iespējams saņemt iekārtas montāžas rasējumu, iepriekš norādot iekārtas modeli un sērijas numuru, kas atrodas uz datu plāksnītes un sastāv no šiem simboliem.

SIMBOLI

	UZMANĪBU! BĪSTAMI!
	Pirms mašīnai veikt jebkāda veida apkopes darbus, ir jāizņem ārā akumulators.
	Pirms sākt lietot instrumentu, lūdzu, izlasiet lietošanas pamācību.
	Jāvalkā aizsargcimdi!
	Nēsāt trokšņa slāpētāju!
	Strādājot ar mašīnu, vienmēr jānēsā aizsargbrilles. Jānēsā piemērota maska, kas pasargā no putekļiem.
	Piederumi - standartaprīkojumā neietvertās, bet ieteicamās papildus komplektācijas detaļas no piederumu programmas.
	Elektriskos aparātus, baterijas/akumulatorus nedrīkst izliet kopā ar mājaismiecības atkritumiem. Elektriski aparāti un akumulatori ir jāsavāc atsevišķi un jānodod atkritumu pārstrādes uzņēmumā videi saudzīgai utilizācijai. Jautājiet vietējā iestādē vai savam specializētajam tirgotājam, kur atrodas atkritumu pārstrādes uzņēmumi vai savākšanas punkti.
	Eiropas atbilstības zīme
	Lielbritānijas atbilstības zīme
	Ukrainas atbilstības zīme



Eirāzijas atbilstības zīme

TECHNINIAI DUOMENYS	ŠLIFAVIMO MAŠINA	M12 FCOT
Produkto numeris	4679 85 02... ...000001-999999	
Nominalus sūkių skaičius	20000 min ⁻¹	
	D=Pjovimo diskai, Ø	76 mm
	d=Gręžimo-Ø	10 mm
	b=Pjovimo disko storis min. / maks.	1 mm / 3,2 mm
Pjūvio gylis	16,3 mm	
Pjūvio plotis	min. 1 mm / max. 3,2 mm	
Keičiamo akumulatoriaus įtampa	12 V	
Prietaiso svoris įvertintas pagal EPTA 2014/01 tyrimų metodiką (6,0 Ah)	1,3 kg	
Rekomenduojama aplinkos temperatūra dirbant	-18...+50 °C	
Rekomenduojami akumuliatorių tipai	M12B2...M12B6	
Rekomenduojami įkrovikliai	C12C,M12C4, M12-18AC,M12-18C, M12-18C3, M12-18FC,....	

Informacija apie triukšmą/vibraciją (betono pjaustymas)

Vertės matuotos pagal EN 60 745. Prietaisui būdingas garso slėgio lygis, koreguotas pagal A dažnio charakteristiką, Garso slėgio lygis (Paklaida K=3dB(A)) 105 dB (A)
Garso galios lygis (Paklaida K=3dB(A)) 94 dB (A)

Nešioti klausos apsauginės priemonės!

Bendroji svyravimų reikšmė (trijų krypčių vektorių suma), nustatyta remiantis EN 60745.
Vibravimų emisijos reikšmė a_{h,SG} 2,9 m/s²
Paklaida K= 1,5 m/s²

DĖMESIO

Instrukcijoje nurodyta svyravimų ribinė vertė yra išmatuota remiantis standartu EN 60745; ji gali būti naudojama keliems elektriniams instrumentams palyginti. Ji taikoma ir laikinai įvertinti svyravimų apkrova.

Nurodyta svyravimų ribinė vertė yra taikoma pagrindinėse elektrinio instrumento naudojimo srityse. Svyravimų ribinė vertė gali skirtis naudojant elektrinį instrumentą kitose srityse, papildomai naudojant netinkamus elektrinius instrumentus arba juos nepakankamai techniškai prižiūrint. Dėl to viso darbo metu gali žymiai padidėti svyravimų apkrova.

Siekiant tiksliai nustatyti svyravimų apkrovą, būtina atsižvelgti ir į laikotarpį, kai įrenginys yra išjungtas arba įjungtas, tačiau faktiškai nenaudojamas. Dėl to viso darbo metu gali žymiai sumažėti svyravimų apkrova.

Siekiant apsaugoti vartotojus nuo svyravimo įtakos naudojamos papildomos saugos priemonės, pavyzdžiui, elektrinių darbo instrumentų techninė priežiūra, rankų šilumos palaikymas, darbo procesų organizavimas.

⚠ JSPĖJIMAS! Perskaitykite visus saugos nurodymus ir instrukcijas. Jei nepaisysite žemiau pateiktų saugos nuorodų ir reikalavimų, gali trenkti elektros smūgis, kilti gaisras ir/arba galite suklikti susižaloti arba sužaloti kitus asmenis.
Išsaugokite šias saugos nuorodas ir reikalavimus, kad ir ateityje galėtumėte jais pasinaudoti.

⚠ DISKINIO PJŪKLO SAUGUMO NURODYMAI

- Elektrinio prietaiso apsauginis gaubtas privalo būti uždėdamas ir taip nustatomas, kad būtų garantuojamas didžiausias saugumas, t. y. mažiausia šlifavimo įrankio dalis yra nukreipta į valdymo personalą. Jūs ir netoliese esantys asmenys privalo būti ne besisukančio šlifavimo disko zonoje.** Apsauginis gaubtas apsaugo valdymo personalą nuo atlūžusių detalių ir atsitiktinio kontakto su šlifavimo įrankiu.
- Kartu su savo elektriniu prietaisu naudokite tik sujungtus sustiprintus arba deimantais dengtus pjovimo diskus.** Saugus naudojimas negarantuojamas vien todėl, kad priedą galite pritvirtinti prie savo elektros įrankio.
- Panaudojamų dalių leistinas apsisukimų skaičius turi būti mažiausiai tokio dydžio, koks yra nurodytas didžiausias apsisukimų skaičius ant elektros prietaiso.** Dalys, kurios sukasi greičiau negu yra leistina, gali sulūžti ir skristi į šalis.
- Šlifavimo įrankius leidžiama naudoti tik pagal rekomenduojamą paskirtį. Pvz., niekada nešlifaukite pjovimo disko šoniniu paviršiumi.** Pjovimo diskai yra skirti medžiagai pjaunamajai briauna pašalinti. Nuo šoninės apkrovos šie šlifavimo įrankiai gali sulūžti.

- Savo pasirinktiems pjovimo diskams visada naudokite tik nepažeistas ir tinkamo dydžio tvirtinimo junges.** Tinkama jungė laiko pjovimo diską ir apsaugo nuo lūžimo grėsmės.
- Nenaudokite sudilusių diskų, prieš tai naudotų su didesnėmis šlifavimo mašinomis.** Šlifavimo diskai, skirti didesniems elektriniams prietaisams, nėra pritaikyti prie didelio mažųjų prietaisų išvystomo sūkių skaičiaus ir gali sulūžti.
- Uždėdamo įrankio išorinis skersmuo ir storis turi atitikti Jūsų elektrinio įrankio parametrus.** Blogai išmatuotų įstatomų darbinį įrankių negalima tinkamai uždengti ar valdyti.
- Šlifavimo diskai ir jungės turi tiksliai atitikti jūsų elektrinio prietaiso šlifavimo suklij. Įstatomieji įrankiai, kurie tiksliai neatitinka elektrinio prietaiso šlifavimo suklio, sukasi netolygiai, stipriai vibruoja ir dėl jų galite prarasti kontrolę.**
- Nenaudokite pažeistų šlifavimo diskų. Prieš kiekvieną naudojimą patikrinkite, ar šlifavimo diskas nėra sutrūkinėjęs. Jeigu elektrinis prietaisas arba šlifavimo diskas nukrenta, patikrinkite, ar jie nepažeisti arba naudokite nepažeistą šlifavimo diską. Jeigu patikrinote ir įstatėte šlifavimo diską, jūs ir kiti netoliese esantys asmenys privalo būti už besisukančio šlifavimo disko judėjimo zonos ribų, o prietaisui minutę turi būti leidžiama veikti maksimaliu sūkių skaičiumi. Pažeisti šlifavimo diskai dažniausiai lūžta šio bandymo metu.**
- Dirbkite su asmeninėmis apsaugos priemonėmis. Atitinkamai pagal atliekamą darbą užsidėkite viso veido apsaugos priemonės, akių apsaugos priemonės ar apsauginius akinius. Jei nurodyta, užsidėkite apsauginį respiratorių nuo dulkių, klausos apsaugos priemonės, apsauginės pirštinės ir specialią prijuostę, kuri**

apsaugos Jus nuo smulkių šlifavimo ir ruošinio dalelių. Akys turi būti apsaugotos nuo aplink lekiančių svetimkūnių, atsirandančių atliekant įvairius darbus. Respiratorių arba apsauginę kaukę turi išfiltruoti darbo metu kylančias dulkes. Dėl ilgalaikio ir stipraus triukšmo poveikio galite prarasti klausą.

k) Sekite, kad kiti asmenys nuo Jūsų darbo zonos būtų per saugų atstumą. Kiekvienas įžengiantis į Jūsų darbo zoną asmuo privalo nešioti asmenines saugos priemones. Ruošinio ar darbinio įrankio nuolaužas gali nuskrieti ir sužaloti asmenis taip pat už tiesioginės darbo zonos ribų.

l) Dirbdami laikykite prietaisą už izoliuotų vietų, kuriose pjovimo įrenginys pats galėtų liesti paslėptus laidus arba savo paties laidą. Pjovimo įrenginio kontaktas su įtampos laidais gali įelektrinti metalines prietaiso dalis, o tai gali sukelti elektros iškrava.

m) Maitinimo laidą laikykite toliau nuo besisukančių darbo įrankių. Jei nebesuvaldytumėte prietaiso, darbo įrankis gali perpjauti maitinimo laidą arba jį įtraukti, o Jūsų plaštaka ar ranka gali patekti į besisukančių darbo įrankį.

n) Niekada nepadėkite elektrinio įrankio tol, kol darbo įrankis visiškai nusustos. Besisukantis įrankis gali prisiliesti prie paviršiaus, ant kurio jis dedamas, tada galite nesuvaldyti elektrinio įrankio.

o) Nešdami prietaisą jo niekada neįjunkite. Netyčia prisilietus prie besisukančio darbo įrankio, jis gali įtraukti drabužius ir Jus sužeisti.

p) Reguliariai valykite elektrinio prietaiso ventiliacines angas. Variklio ventiliatorius traukia dulkes į korpusą, ir susikaupus daug metalo dulkių gali kilti elektros smūgio pavojus.

q) Elektrinį įrankį draudžiama naudoti arti degių medžiagų. Nuo kibirkščių šios medžiagos gali užsiliepsnoti.

r) Nenaudokite darbinį įrankių, kuriems reikalingas aušinimas skysčiu. Naudodami vandenį arba kitas skystas aušinimo medžiagas galite gauti elektros smūgį.

Kiti pjovimo ir šlifavimo staklių naudojimo saugos nurodymai

Atatranka ir atitinkami saugos nurodymai
Atatranka yra staigi užstrigusio arba užblokuoto šlifavimo disko reakcija. Užstrigusio arba užblokavus besisukantis įstatomas įrankis staiga sustabdomas. Taip nekontroliuojamas elektrinis prietaisas blokavimo vietoje pradėdamas sukli prieš įstatomojo įrankio sukimosi kryptį. Pvz., jei ruošinyje įstringa ar yra užblokuojamas šlifavimo diskas, disko briauna, kuri yra ruošinyje, gali išlūžti ar sukelti atatranką. Tada šlifavimo diskas, priklausomai nuo jo sukimosi krypties blokavimo vietoje, pradeda judėti link dirbančiojo arba nuo jo. Tada šlifavimo diskas gali net nulūžti.

Atatranka yra netinkamo elektrinio prietaiso naudojimo ar gedimo pasekmė. Jos galite išvengti, jei imsitės atitinkamų, žemiau aprašytų priemonių.

Dirbdami visada tvirtai laikykite prietaisą abiem rankom ir stenkitės išlaikyti tokią kūno ir rankų padėtį, kurioje sugebėtumėte atsipirti prietaiso pasipriešinimo jėgai atatrankos metu. Jei yra papildoma rankena, visada ją naudokite, tada galėsite suvaldyti atatrankos jėgas bei reakcijos jėgų momentą. Dirbantysis, jei imsis tinkamų saugos priemonių, gali suvaldyti reakcijos jėgas atatrankos metu.

b) Niekada nelaiykite rankų arti besisukančio darbo įrankio. Įvykus atatrakai įrankis gali pataikyti į Jūsų ranką.

c) Venkite būti zonoje prieš ir už besisukančio pjovimo disko. Atatrankos jėga verčia elektrinį prietaisą judėti nuo blokavimo vietos priešinga šlifavimo disko sukimosi kryptimi.

d) Ypač atsargiai dirbkite kampuose, ties aštriomis briaunomis ir t. t. Saugokite, kad darbo įrankis neatsimuštų į kliūtis ir neįstrigtų. Besisukantis darbo

įrankis kampuose, ties aštriomis briaunomis arba atsimušęs į kliūtį turi tendenciją užstrigti. Tada prietaisas tampa nevaldomas arba įvyksta atatranka.

e) Nenaudokite grandinių arba dantytų pjovimo diskų bei segmentinių deimantinių diskų, kurių grioveliai platesni kaip 10 mm. Tokie darbo įrankiai dažnai sukelia atatranką arba elektrinis prietaisas tampa nevaldomas.

f) Venkite užblokuoti pjovimo diską ir nespauskite jo per stipriai prie ruošinio. Nemėginkite atlikti pernelyg gilių pjūvių. Per stipriai prispaudus pjovimo diską, padidėja jam tenkanti apkrova ir atsiranda didesnė tikimybė jį pakreipti bei užblokuoti pjūvyje, vadinasi padidėja atatrankos ir disko lūžimo rizika.

g) Jei pjovimo diskas užstringa arba Jūs norite nutraukti darbą, išjunkite elektrinį prietaisą ir laikykite jį ramiai, kol diskas visiškai nusustos sukis. Niekada nemėginkite iš pjūvio vietos ištraukti dar tebesisukančių diską, nes gali įvykti atatranka. Nustatykite ir pašalinkite disko strigimo priežastį.

h) Neįjunkite elektrinio prietaiso iš naujo tol, kol diskas neištrauktas iš ruošinio. Palaukite, kol pjovimo diskas pasiekis darbinį sūkių skaičių, ir tik tada atsargiai tęskite pjovimą. Priešingu atveju diskas gali užstrigti, iššokti iš ruošinio ar sukelti atatranką.

i) Plokštes ar didelius ruošinius paremkite, kad sumažintumėte atatrankos riziką dėl užstrigusio pjovimo disko. Dideli ruošiniai gali išlūžti dėl savo svorio. Ruošinį reikia paremti iš abiejų pusių, tiek ties pjūvio vieta, tiek ir prie krašto.

j) Būkite ypač atsargūs pjudami sienose ar kituose nepermatuose paviršiuose. Panyrantis pjovimo diskas gali pažeisti elektros laidus, dujotiekio ar vandentiekio vamzdžius ar kitus objektus ir sukelti atatranką.

KITI SAUGUMO IR DARBO NURODYMAI

Panaudojamų dalių leistinas apsisukimų skaičius turi būti mažiausiai tokio dydžio, koks yra nurodytas didžiausias apsisukimų skaičius ant elektros prietaiso. Dalys, kurios sukasi greičiau negu yra leistina, gali sulūžti ir skristi į šalis.

Dėvėkite apsaugines priemones. Dirbdami su mašina visada užsidėkite apsauginius akinus. Rekomenduotina dėvėti apsaugines priemones: apsaugos nuo dulkių respiratorius, apsauginės pirštinės, kietus batus neslidžias padais, šalmą ir klausos apsaugos priemones.

JSPĖJIMAS Kad sumažintumėte sužeidimų riziką atliekant darbus, kurių metu susidaro labai daug dulkių, mes rekomenduojame naudoti „Milwaukee“ dulkių sugėrimo sistemą, kaip nurodyta naudojimo instrukcijoje..

Darbo metu susidarancios dulksės yra dažnai kenksmingos sveikatai ir todėl turėtų nepatekti į organizmą. Dėvėti tinkamą apsauginę kaukę nuo dulkių.

Negalima apdirbti medžiagų, dėl kurių galimi sveikatos pažeidimai (pvz., asbesto).

Blokuojant įstatomąjį įrankį būtina išjungti prietaisą! Neįjunkite prietaiso, kol įstatomas įrankis yra užblokuotas; galimas grįžtamasis smūgis su dideliu sukimo momentu. Atsižvelgdami į saugumo nurodymus, nustatykite ir pašalinkite įstatomojo įrankio blokavimo priežastį.

- Galimos priežastys:
- Susidariusios apdirbamo ruošinio briaunos
 - Apdirbamos medžiagos pratrūkimas
 - Elektros įrankio perkrova

Nekiškite rankų į veikiančią mašiną.

Naudojamas įstatomasis įrankis gali įkaisti.

- keičiant įrankį
- padedant prietaisą

Dirbdami sienoje, lubose arba grindyse, atkreipkite dėmesį į elektros laidus, dujų ir vandens vamzdžius.

Prieš atlikdami bet kokius darbus įrenginyje, išimkite keičiamą akumuliatorių.

Sunaudotų keičiamų akumuliatorių nedeginkite ir nemeskite į buitines atliekas. „Milwaukee“ siūlo tausojantį aplinką sudėvėtų keičiamų akumuliatorių tvarkymą, apie tai prekybos atstovo.

Keičiamų akumuliatorių nelaikykite kartu su metaliniais daiktais (trumpojo jungimo pavojus).

Keičiamus M12 sistemos akumuliatorius kraukite tik „C18“ sistemos įkrovikliais. Nekraukite kitų sistemų akumuliatorių.

Keičiamų akumuliatorių ir įkroviklių nelaikykite atvirai. Laikykite tik sausoje vietoje. Saugokite nuo drėgmės.

Ekstremalių apkrovų arba ekstremalios temperatūros poveikyje iš keičiamų akumuliatorių gali ištėkėti akumuliatoriaus skysčiai. Išsitepus akumuliatoriaus skysčiu, tuoj pat nuplaukite vandeniu su muilu. Patekus į akis, tuoj pat ne trumpiau kaip 10 minučių gausiai skalaukite vandeniu ir tuoj pat kreipkitės į gydytoją.

Įspėjimas! Siekdamis išvengti trumpojo jungimo sukeliama gaisro pavojaus, sužalojimų arba produkto pažeidimų, neikiškite įrankio, keičiamo akumuliatoriaus arba įkroviklio į skysčius ir pasirūpinkite, kad į prietaisus arba akumuliatorius nepatektų jokių skysčių. Koroziją sukeliantys arba laidūs skysčiai, pvz., sūrus vanduo, tam tikri chemikalai ir balikliai arba produktai, kurių sudėtyje yra baliklių, gali sukelti trumpąjį jungimą.

NAUDOJIMAS PAGAL PASKIRTĮ

Šis išskirtimo įrankis skirtas naudoti skirtingoms medžiagoms pjauti.

Šį prietaisą leidžiama naudoti tik pagal nurodytą paskirtį.

Norėdami sumažinti sužeidimo riziką, naudokite tik 1 tipo deimantinius šlifavimo diskus, kurių maksimalus storis – 3,2 mm ir kurie gali saugiai veikti mažiausiai 20 000 suk./min.-1 greičiu. 1 tipo šlifavimo diskai tinka tik šonų, o ne paviršiaus šlifavimui. Laikykites visų saugos nurodymų, pateiktų kartu su pjovimo diskais.

Žemiau pateiktoje apžvalgoje pasirinkite tinkamą šlifavimo diską. Priklausomai nuo medžiagos, turi būti naudojami skirtingi šlifavimo diskai. Laikykites šlifavimo disko gamintojo naudojimo instrukcijų.

Disko tipas	Medžiaga
Karbido šlifavimo diskai	Gipso plokštės, pluoštinis cementas, plastikas
Pjovimo diskai	Plienas, nerūdijantis plienas, spalvotieji metalai
Deimantiniai šlifavimo diskai	Plytelės, betonai, plytos, keramika

CE ATITIKTIES PAREIŠKIMAS

Remiantis bendrais atsakomybės reikalavimais pareiškiamame, jog skyriuje „Techniniai duomenys“ aprašytas produktas atitinka visus toliau pateiktų juridinių direktyvų reikalavimus: 2011/65/EU (RoHS), 2014/30/ES, 2006/42/EB ir kitus su jomis susijusius norminius dokumentus.

EN 60745-1:2009+A11:2010
EN 60745-2-22:2011+A11:2013
EN 55014-1:2017+A11:2020
EN 55014-2:2015
EN IEC 63000:2018

Winnenden, 2020-10-29


Alexander Krug
Managing Director



Įgaliotas parengti techninius dokumentus.

Techtronic Industries GmbH
Max-Eyth-Straße 10
71364 Winnenden
Germany

AKUMULIATORIAI

Ilgesnį laiką nenaudotus keičiamus akumuliatorius prieš naudojimą įkraukite.

Aukštesnė nei 50°C temperatūra mažina keičiamų akumuliatorių galią. Venkite ilgesnio saulės ar šilumos šaltinių poveikio.

Įkroviklio ir keičiamo akumuliatoriaus jungiamieji kontaktai visada turi būti švarūs.

Pasinaudoję prietaisu, visiškai įkraukite akumuliatorių, kad prietaisais veiktų optimaliai ilgai.

Siekiant užtikrinti kuo ilgesnį baterijos tarnavimo laiką, reikėtų ją po atlikto įkrovimo iškart išimti iš įkroviklio.

Bateriją laikant ilgiau nei 30 dienų, būtina atkreipti dėmesį į šias nuorodas: bateriją laikyti sausoje aplinkoje, esant apie 27 °C temperatūrai. Baterijos įkrovimo lygis turi būti nuo 30 % iki 50 %. Baterija pakartotinai turi būti įkraunama kas 6 mėnesius.

APSAUGA NUO AKUMULIATORIAUS PERKROVOS

Akumuliatorių blokas turi apsaugą nuo perkrovos, kuri leidžia išvengti perkrovų ir užtikrina jo eksploatacijos ilgaamžiškumą.

Esant didelėms apkrovoms, akumuliatoriaus elektroninė sistema prietaisą išjungia automatiškai. Kad prietaisais dirbtų toliau, reikia jį išjungti ir vėl įjungti. Jeigu prietaisais neįsijungia, esant galimybei, akumuliatoriaus komplektą reikia iškrauti ir įkroviklyje iš naujo įkrauti.

LIČIO JONŲ AKUMULIATORIŲ PERVEŽIMAS

Ličio jonų akumuliatoriams taikomos įstatyminės nuostatos dėl pavojingų krovinių pervežimų.

Šiuos akumuliatorius pervežti būtina laikantis vietinių, nacionalinių ir tarptautinių direktyvų ir nuostatų.

- Naudotojai šiuos akumuliatorius gali naudoti savo transporte be jokių kitų sąlygų.
- Už komercinį ličio jonų akumuliatorių pervežimą atsako ekspedicijos įmonė pagal nuostatas dėl pavojingų krovinių pervežimo. Pasiruošimo išsiųsti ir pervežimo darbus gali atlikti tik atitinkamai išmokyti asmenys. Visas procesas privalo būti prižiūrimas.

Pervežant akumuliatorius būtina laikytis šių punktų:

- Siekiant išvengti trumpųjų jungimų, įsitikinkite, kad kontaktai yra apsaugoti ir izoliuoti.
- Atkreipkite dėmesį, kad akumuliatorius pakuotės viduje neslidinėtų.
- Draudžiama pervežti pažeistus arba tekančius akumuliatorius.

Dėl detalesnių nurodymų kreipkitės į savo ekspedicijos įmonę.

TECHNINIS APTARNAVIMAS

Įrenginio vėdinimo angos visada turi būti švarios.

Prieš montuodami ar nuimdami pjūklą geležtę, įrankį nuo elektros maitinimo šaltinio būtinai atjunkite.

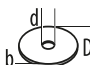
Sausu skudurėliu nuvalykite prietaisą ir apsauginį įrenginį. Kai kurios valymo priemonės gali pažeisti plastmasę arba kitas izoliuotas detales. Laikykite prietaisą švarų ir sausą, nuvalykite ištėkėjusį tepalą ir alyvą. Patikrinkite apsauginio gaubto veikimą. Reguliari techninė priežiūra ir nuolatinis valymas užtikrins ilgą eksploataavimo laiką ir saugų naudojimą.

Naudokite tik „Milwaukee“ priedus ir „Milwaukee“ atsargines dalis. Dalis, kurių keitimas neaprašytas, leidžiama keisti tik „Milwaukee“ klientų aptarnavimo skyriams (žr. garantiją/klientų aptarnavimo skyrių adresus brošiūroje).

Esant poreikiui, nurodžius mašinos modelį ir šešiaženklį numerį, esantį ant specifikacijų lentelės, klientų aptarnavimo centre arba tiesiogiai „Techtronic Industries GmbH“, Max-Eyth-Str. 10, 71364 Winnenden, Vokietija, galite užsakyti išplėstinį prietaiso brėžinį.

SIMBOLIAI

	DĖMESIO! ĮSPĖJIMAS! PAVOJUS!
	Prieš atlikdami bet kokius darbus įrenginyje, išimkite keičiamą akumuliatorių.
	Prieš pradėdami dirbti su prietaisu, atidžiai perskaitykite jo naudojimo instrukciją.
	Lietojiet aizsardzības cimdus!
	Nešioti klausos apsaugines priemones!
	Dirbdami su įrenginiu visada nešiodkite apsauginius akinius. Dėvėti tinkamą apsauginę kaukę nuo dulkių.
	Priedas – neįeina į tiekimo komplektaciją, rekomenduojamas papildymas iš priedų asortimento.
	Elektros prietaisų, baterijų/akumuliatorių šalinti kartu su buitėmis atliekomis negalima. Elektros prietaisus ir akumuliatorius reikia surinkti atskirai ir atiduoti perdirbimo įmonei, kad būtų pašalinti aplinkai saugiu būdu. Vietos valdžios institucijose arba specializuotose prekybos vietose pasidomėkite apie perdirbimo ir surinkimo centrus.
	Europos atitikties ženklas
	Britanijos atitikties ženklas
	Ukrainos atitikties ženklas
	Eurazijos atitikties ženklas

TEHNILISED ANDMED	KETASLÕIKURIT	M12 FCOT
Toolmisnumber	4679 85 02...	..000001-999999
Nimipõrdeid	20000 min ⁻¹	
 D=Torulõikuri ø	76 mm	
d=puurava ø	10 mm	
b=Lõikeketta paksus min. / maks.	1 mm / 3,2 mm	
Lõikesügavus	16,3 mm	
Lõike laius	min. 1 mm / max. 3,2 mm	
Vahetatava aku pingeline	12 V	
Kaal vastavalt EPTA-protseduurile 01/2014 (6,0 Ah)	1,3 kg	
Soovituslik ümbritsev temperatuur töötamise ajal	-18...+50 °C	
Soovituslikud akutüübid	M12B2...M12B6	
Soovituslik laadija	C12C,M12C4, M12-18AC,M12-18C, M12-18C3, M12-18FC,...	

Müra/vibratsiooni andmed (betooni lõikamine)
Mõõteväärtused on kindlaks tehtud vastavalt normile EN 60 745.

Seadme A-filtriiga hinnatud helirõhutase on tüüpiliselt
Helirõhutase (Määramatus K=3dB(A)) 105 dB (A)
Helivõimsuse tase (Määramatus K=3dB(A)) 94 dB (A)

Kandke kaitseks kõrvaklappe!

Vibratsiooni koguväärtus (kolme suuna vektorsumma)
mõõdetud EN 60745 järgi.

Vibratsiooni emissiooni väärtus a_{h,SG} 2,9 m/s²
Määramatus K= 1,5 m/s²

TÄHELEPANU

Antud juhendis toodud võnketase on mõõdetud EN 60745 standardile vastava mõõtesüsteemiga ning seda võib kasutada erinevate elektriseadmete omavahelises võrdlemises. Antud näitaja sobib ka esmaseks võnkekoormuse hindamiseks.

Antud võnketase kehtib elektriseadme kasutamiseks sihtotstarbeliselt. Kui elektriseadet kasutatakse muudel otstarvetel, muude tööriistadega või seda ei hooldata piisavalt võib võnketase siintoodust erineda. Eeltoodu võib võnketaset märkimisväärselt tõsta terves töökeskkonnas.

Võnketaseme täpsaks hindamiseks tuleks arvestada ka Milwaukee.a, mil seade on välja lülitatud või on küll sisse lülitatud, kuid ei ole otseselt kasutuses. See võib märgatavalt vähendada kogu töökeskkonna võnketaset.

Rakendage spetsiaalseid ettevaatusabinõusid töötajate suhtes, kes puutuvad töö käigus palju kokku vibratsiooniga. Nendeks abinõudeks võivad olla, näiteks: elektri- ja tööseadmete korraline hooldus, käte soojendamine, töövoa parem organiseerimine.

⚠ HOIATUS! Lugege kõiki ohutusjuhiseid ja korraldusi. Ohutusnõuete ja juhiste eiramise tagajärjeks võib olla elektrilöökk, tulekahju ja/või rasked vigastused. **Hoidke kõik ohutusnõuded ja juhised edasiseks kasutamiseks hoolikalt alles.**

⚠ KETASSAAGIDE OHUTUSJUHISED

a) Elektritööriista juurde kuuluv kaitsekate peab olema kindlalt paigaldatud ja nii seadistatud, et saavutatakse kõrgeim ohutusmäär, st operaatorei poole on avatud lihvkeha väikeim võimalik osa. Hoidke ise ja läheduses viibivad inimesed väljaspool pöörleva lihvketta tasandit. Kaitsekatte ülesandeks on kaitsta operaatoreit murdetükkide ja juhusliku lihvkehaga kokkupuute eest.

b) Kasutage elektritööriista eranditult sidekoega tugevatud või teemantidega varustatud lõikeketaid ainult see, et Te saate tarviku oma elektritööriistale kinnitada, ei garanteeri veel ohutut kasutamist.

c) Instrumentid lubatud pöörete arv peab olema vähemalt sama suur kui elektritööriistal märgitud maksimumpöörte arv. Tarvikud, mis pöörlevad lubatust kiiremini, võivad murduda ja lendu paiskuda.

d) Lihvimistarvikuid tohib kasutada üksnes soovitatud kasutusotstarvetel. Näiteks: Ärge kunagi kasutage lihvimiseks lõikeketta külgpinda. Lõikekettad on ette nähtud materjali lõikamiseks ketta servaga. Külgsuunas rakendatavate jõudude toimel võivad need kettad puruneda.

e) Kasutage alati tervet ja valitud lõikekettaga suuruselt sobivat kinnitusaariikut. Oigesti valitud aariikut toetavad lõikeketast ning vähendavad ketta purunemise riski.

f) Ärge kasutage suuremate elektriliste tööriistade kulunud lihvketaid. Suuremate elektriliste tööriistade

lihvketad ei ole ette nähtud kasutamiseks väiksemate seadmete kõrgematel pööretel ja võivad puruneda.

g) Kasutatava instrumendi välisdiameeter ja paksus peavad vastama elektritööriista etteantud mõõtudele. Vale mõõduga instrumente ei ole võimalik kaitseadestega piisavalt turvata ja kontrollida.

h) Lihvkettad ja aariikut peavad täpselt Teie elektritööriista lihvspindlile sobima. Rakendustööriista, mis sobi täpselt elektritööriista lihvspindlile, pöörlevad ebaühtlaselt, vibreerivad väga tugevasti ja võivad põhjustada kontrolli kaotamise.

i) Ärge kasutage kahjustunud lihvketaid. Kontrollige iga kord enne kasutamist lihvketaid eraldunud kildude ja pragude suhtes. Kui elektritööriist või lihvketas kukub maha, siis kontrollige seda kahjustumise suhtes või kasutage kahjustamata lihvketast. Kui olete lihvketta üle kontrollinud ja paigaldanud, siis hoidke ise ning läheduses viibivad inimesed väljaspool pöörleva lihvketta tasandit ja laske seadmel üks minut suurimaval pööretel töötada. Kahjustatud lihvketad purunevad enamasti selle testimisaja jooksul.

j) Kandke isikukaitsevahendeid. Kasutage vastavalt kasutusotstarbele näomaski, silmakaitset või kaitseprille. Vajaduse korral kandke tolmukaitsemaski, kuulmiskaitsevahendeid, kaitsekindaid või kaitsepõlle, mis kaitseb Teid lihvimisel eralduvate väikeste osakeste eest. Silmad peavad olema kaitstud seadme kasutamisel eralduvate võõrkehade eest. Tolmu- või hingamisteede kaitsemaskid peavad filtreerima kasutamisel tekkiva tolmu. Pikaajaline vali müra võib kahjustada kuulmist.

k) Jälgi, et teised inimesed oleksid teie tööpiirkonnast ohutus kauguses. Kõik tööpiirkonda tulevad isikud peavad kandma isiklike kaitsevahendeid. Töödeldava materjali või purunemise instrumentide killud võivad

paiskuda eemale ja tekitada vigastusi ka väljaspool otsest tööpiirkonda.

l) Tööde puhul, kus lõikeseade võib minna vastu peidetud elektrijuhtmed või seadme enda toitejuhet, hoidke kinni seadme isoleeritud käepidemetest. Kokkupuude pingestatud juhtmega võib pingestada ka lõikeseadme metallist osad ning põhjustada elektrilöögi.

m) Hoidke toitejuhe pöörlevatest tarvikutest eemal. Kontrolli kaotusel seadme üle tekib toitejuhtme läbilõikamise või kaasahaaramise oht ning Teie käsi võib pöörleva tarvikuga kokku puutuda.

n) Ärge pange seadet kunagi enne käest, kui instrument on täielikult seisma jäänud. Veel pöörlev instrument võib puutuda vastu pinda, millele te seadme asetate, ning te võite elektritööriista üle kontrolli kaotada.

o) Seadme transportimise ajal ärge laske seadmel töötada. Teie rõivad võivad pöörleva tarvikuga juhuslikult kokku puutuda ning tarvik võib tungida Teie kehasse.

p) Puhastage regulaarselt seadme ventilatsioonivahendid. Mootori ventilaator tõmbab tolmu korpusesse, kuhjuv metallitõlm võib põhjustada elektrilisi ohte.

q) Ärge kasutage seadet põlevate materjalide läheduses. Seadme lenduvad sädemed võivad neid materjale süüdata.

r) Ärge kasutage instrumente, mille jaoks on vaja jahutusevedelikke. Vee või muude vedelate jahutusvahendite kasutamine võib põhjustada elektrilöögi.

Edasised ohutusjuhised lihvimisrakendusteks

Tagasilöökk ja sellega seonduvad ohutusnõuded

Tagasilöökk on äkiline reaktsioon pöörleva lihvketta haakumise või blokeerumise tagajärjel. Haakumine või blokeerumine põhjustab pöörleva rakendustööriista järsu peatumise. Seeläbi paisatakse kontrollimatu elektritööriist blokeerimiskohast rakendustööriista pöörlemissuunale vastupidisesse suunda.

Kui näiteks lihvketas toorikus kinni kiildub, võib tagajärjeks olla tagasilöökk või lihvketta murdumine. Lihvketas liigub sõltuvalt ketta pöörlemissuunast kas seadme kasutaja poole või kasutajast eemal. Seejuures võivad lihvketad ka murduda.

Tagasilöökk on seadme ebaõige kasutamise või valede töövõtete tagajärg. Seda saab vältida, rakendades järgnevalt kirjeldatud sobivaid ettevaatusabinõusid.

a) Hoidke seadet tugevasti kinni ja viige oma keha ja käed asendisse, milles saate tagasilöögiõududele vastu astuda. Suurima kontrolli saavutamiseks tagasilöögiõudude või reaktsioonimomentide üle kasutage alati lisakäpeid, kui see on olemas. Seadme kasutaja suudab sobivaid ettevaatusabinõusid rakendades tagasilöögi- ja reaktsioonijõudusid kontrollida.

b) Ärge viige oma kätt kunagi pöörlevate tarvikute lähedusse. Tagasilöögi puhul võib tarvik liikuda üle Teie käe.

c) Vältige pöörleva lõikeketta ees ja taga asuvat piirkonda. Tagasilöökk tõukab elektritööriista blokeerimiskohas lihvketta liikumisele vastupidises suunas.

d) Eriti ettevaatlikult töötage nurkade, teravate servade jmt piirkonnas. Hoidke ära tarvikute tagasipõrkumise toorikult ja kinnikiildumise. Pöörlev tarvik kalduv nurkade, teravate servades ja tagasipõrkumise korral kinni kiilduma. See põhjustab kontrolli kaotuse seadme üle või tagasilöögi.

e) Ärge kasutage kett- ega hammastatud saeketast, samuti üle 10 mm laise lõhuketaga segmenteeritud teemantketast. Sellised rakendustööriistad põhjustavad sageli tagasilööki või kontrolli kaotamist elektritööriista üle.

f) Vältige lõikeketta kinnikiildumist või liiga suurt rakendatavat survet. Ärge tehke liiga sügavaid lõikeid. Lõikeketta ülekoormamine suurendab selle koormust ja kal-

duvust kinnikiildumisele ning sellega tagasilöögi või lihvketta purunemise ohtu.

g) Kui lõikeketas kinni kiildub või kui Te töö katkestate, lülitage seade välja ja hoidke seda paigal, kuni ketas on täielikult seisunud. Ärge kunagi püüdke veel pöörlevat lõikeketast lõikejoonest välja tõmmata, vastasel korral võib tekkida tagasilöökk. Tehke kindlaks kinnikiildumise põhjus ja kõrvaldage see.

h) Ärge lülitage seadet sisse seni, kuni see on veel toorikus. Laske lõikekettal kõigepealt saavutada maksimumpöörded, enne kui lõiget ettevaatlikult jätkate. Vastasel korral võib ketas kinni kiilduda, toorikust välja hüpata või tagasilöögi põhjustada.

i) Toestage plaadid või suured toorikud, et vähendada kinnikiildunud lõikekettast tingitud tagasilöögi ohtu. Suured toorikud võivad omaenda kaalu tõttu läbi painduda. Toorik peab olema toetatud mõlemalt poolt, nii lõikejoone lähedalt kui ka servast.

j) Olge eriti ettevaatlikult uputuslõigete tegemisel seinetes või teistes varjatud objektidesse. Uputatav lõikeketas võib gaasi- või veetoru, elektrijuhtmete või teiste objektide tabamisel põhjustada tagasilöögi.

EDASISED OHUTUS- JA TÖÖJUHISED

Instrumenti lubatud pöörete arv peab olema vähemalt sama suur kui elektritööriistal märgitud maksimaalne pöörte arv. Tarvikud, mis pöörlevad lubatust kiiremini, võivad murduda ja lendu paiskuda.

Kasutada kaitsevarustust. Masinaga töötamisel kanda alati kaitseprille. Kaitseriietusena soovatakse kasutada tolmumaski kaitsekindaid, kinniseid ja libisemisvastase tallaga jalanõusid, kiivrit ja kuulmisteede kaitset.

HOIATUS Vähendamaks vigastuste ohtu selliste tööde käigus, mis tekitavad suures koguses tolmu, soovime kasutada Milwaukee tolmueemalduslahendust vastavalt kasutusjuhendile.

Töö ajal tekkinud tolmu on sageli tervistkahjustav ning ei tohiks sattuda organismi. Kanda sobivat kaitsemaski.

Töödelda ei tohi materjale, millest lähtub oht tervisele (nt asbest).

Palun lülitage seade rakendustööriista blokeerumise korral kohe välja! Ärge lülitage seadet sisse tagasi, kuni rakendustööriist on blokeeritud; seejuures võib kõrge reaktsioonimomendiga tagasilöökk tekkida. Tehke ohutusjuhiseid arvesse võttes kindlaks ja kõrvaldage rakendustööriista blokeerumise põhjus.

Selle võimalikeks põhjusteks võivad olla:

- viltu asetamine töödeldavas toorikus
- töödeldava materjali läbimurdamine
- elektritööriista ülekoormamine

Ärge sisestage jäsemeid töötavasse masinasse.

Rakendustööriist võib kasutamise ajal kuumaks minna.

- tööriista vahetamisel
- seadme ärapanemisel

Seina, lae või põranda tööde puhul pidage silmas elektrijuhtmeid, gaasi- ja veetorusid.

Enne kõiki töid masina kallal võtke vahetatav aku välja.

Ärge visake tarvitavad vahetatavad akusid tulle ega olmepruugisse. Milwaukee pakub vanade akude keskkonnanahoidlikku käitlust; palun küsige oma erialaselt tarnijalt.

Ärge säilitage vahetatavaid akusid koos metalliesemetega (lühiseht).

Laadige süsteemi M12 vahetatavaid akusid ainult süsteemi M12 laadijatega. Ärge laadige nendega teiste süsteemide akusid.

Ärge avage vahetatavaid akusid ega laadijaid ning ladustage neid ainult kuivades ruumides. Kaitse niiskuse eest.

Äärmuslikul koormusel või äärmuslikul temperatuuril võib kahjustatud vahetatavast akust akuedelik välja voolata. Akuedelikkuga kokkupuutumise korral peske kohe vee ja seebiga. Silma sattumise korral loputage kiiresti põhjalikult vähemalt 10 minutit ning pöörduge viivitamatult arsti poole.

Hoiatus! Lühisest põhjustatud tuleohtu, vigastuste või toote kahjustuste vältimiseks ärge kaske tööriista, vahetusakut ega laadimiseadet vedelikku ning jälgige, et vedelikke ei tungiks seadmetesse ega akusse. Korrodeeruvad või elektrit juhtivad vedelikud, nagu soolvesi, teatud kemikaalid ja pleegitusained või pleegitusaineid sisaldavad tooted, võivad põhjustada lühist.

KASUTAMINE VASTAVALT OTSTARBELE

Seda lõikeseadet on ette nähtud erinevate materjalide lõikamiseks.

Antud seadet tohib kasutada ainult vastavalt äranäidatud otstarbele.

Vigastusteohu vähendamiseks kasutage ainult tüüpi 1 lihv- ja teemantkettaid, mille paksus on kuni 3,2 mm ja maksimaalne ohutu nimitöökiirus vähemalt 20 000 pööret minutis-1. Tüüpi 1 lihvketad sobivad ainult külglihvimiseks. Need ei sobi pindlihvimiseks. Järgige kõiki abrasiivlõikekettaga kaasa tulevaid ohutusjuhiseid.

Kasutage sobiva lihvketta valimiseks allolevat tabelit. Erineva materjali puhul tuleb kasutada erinevaid lihvkettaid. Järgige lihvketatootja kasutusjuhiseid.

Ketta tüüp	Lihvimiseks sobivad materjalid
Karbiidlihvketad	Kipsplaat, kiudtsement, plast
Abrasiivlõikeketad	Teras, roostevaba teras, mitteraudmetallid
Teemantlihvketad	Keraamilised plaadid, betoon, telliskivi, keraamilised materjalid

EÜ VASTAVUSAVALDUS

Me deklareerime ainuisikuliselt vastutades, et lõigus „Tehnilised andmed“ kirjeldatud toode vastab direktiivide 2011/65/EU (RoHS), 2014/30/EU, 2006/42/EÜ kõigile olulisele tähtsusega eeskirjadele ning järgmistele harmoniseeritud normatiivsetele dokumentidele:

EN 60745-1:2009+A11:2010
EN 60745-2-22:2011+A11:2013
EN 55014-1:2017+A11:2020
EN 55014-2:2015
EN IEC 63000:2018

Winnenden, 2020-10-29


Alexander Krug
Managing Director



On volitatud koostama tehnilist dokumentatsiooni.

Techtronic Industries GmbH
Max-Eyth-Straße 10
71364 Winnenden
Germany

AKUD

Pikemat Milwaukee.a mittekasutatud akusid laadige veel enne kasutamist.

Temperatuur üle 50 °C vähendab vahetatava aku töövoimet. Vältige pikemat soojenemist päikese või kütteseadme mõjul.

Hoidke laadija ja vahetatava aku ühenduskontaktid puhtad.

Patreide optimaalse eluea tagamiseks, pärast kasutamist täielikult lae pateride plokki.

Akud tuleks võimalikult pika kasutusea saavutamiseks pärast täislaadimist laadijast välja võtta.

Aku ladustamisel üle 30 päeva:
Ladustage akut kuivas kohas u 27°C juures.
Ladustage akut u 30-50% laetusseisundis.
Laadige aku iga 6 kuu tagant täis.

AKU KOORMUSKAITSE

Akuplokk on varustatud koormuskaitsega, mis kaitseb akut üleliigse koormuse eest ning kindlustab selle pika eluea. Äärmiselt suurest koormusest annab märku vilkuv töötuli. Kui koormust ei vähendata, siis lülitab masin ennast automaatselt välja. Edasi töötamiseks tuleb masin välja ja uuesti sisse lülitada. Kui masin ei lähe uuesti tööle on akuplokk nähtavasti tühi ja tuleks laadimiseseadmega uuesti täis laadida.

LIITIUMIOONAKUDE TRANSPORTIMINE

Liitiumioonakud on allutatud ohtlike ainete transportimisega seonduvatele õigusaktidele.

Nende akude transportimine peab toimuma kohalikest, siseriiklikest ja rahvusvahelistest eeskirjadest ning määrustest kinni pidades.

- Tarbijad tohivad neid akusid edasiste piiranguteta tänaval transportida.
- Liitiumioonakude kommertstransport ekspedeerimisettevõtete kaudu on allutatud ohtlike ainete transportimisega seonduvatele õigusaktidele. Tarne-ettevalmistusi ja transporti tohivad teostada eranditult vastavalt koolitatud isikud. Kogu protsessi tuleb asjatundlikult jälgida.

Akude transportimisel tuleb järgida järgmisi punkte:

- Tehke kindlaks, et kontaktid on lühiste vältimiseks kaitstud ja isoleeritud.
- Pöörake tähelepanu sellele, et akupakk ei saaks pakendis nihkuda.
- Kahjustatud või välja voolanud akusid ei tohi kasutada.

Pöörduge edasiste juhiste saamiseks ekspedeerimisettevõtte poole.

HOOLDUS

Hoidke masina õhutuspiilud alati puhtad.

Enne saeketta kinnitamist või eemaldamist veenduge, et sae toide on lahti ühendatud.

Puhastage seadet ja kaitseeseadist kuiva lapiga. Osad puhastusvahendid kahjustavad plastmassi või muid isoleeritud detaile. Hoidke seade puhas ja kuiv ning eemaldage väljatunginud õli ja määre. Kontrollige kaitsekatte taliilust. Regulaarne hooldus ja puhastamine tagavad pika eluea ning ohutu käsitsemise.

Kasutage ainult Milwaukee tarvikuid ja Milwaukee tagavaraosi. Detailid, mille väljavahetamist pole kirjeldatud, laske välja vahetada Milwaukee klienditeeninduspunktis (vaadake brošüüri garantii / klienditeeninduste aadressid).

Vajadusel saab nõuda seadme plahvatusjoonise võimsussildil oleva masinatüübi ja kuuekohalise numbril alusel klienditeeninduspunkti või vahetult firmalt Techtronic Industries GmbH, Max-Eyth-Straße 10, 71364 Winnenden, Germany.

SÜMBOLID



ETTEVAATUST! TÄHELEPANU! OHUD!



Enne kõiki töid masina kallal võtke vahetatav aku välja.



Palun lugege enne käikulaskmist kasutamisyjuhend hoolikalt läbi.



Kanda kaitsekindaid!



Kandke kaitseks kõrvaklappe!



Masinaga töötades kandke alati kaitseprille.
"Kanda sobivat kaitsemaski."



Tarvikud - ei kuulu tarne komplekti, soovitatav täiendus on saadaval tarvikute programmis.



Elektriseadmeid, patareisid/akusid ei tohi utiliseerida koos majapidamisprügiga. Elektriseadmed ja akud tuleb eraldi kokku koguda ning kõrvaldada keskkonnasõbralikul moel töötlemiskeskusesse. Küsige infot jäätmekäitlusjaamade ja kogumispunktide kohta oma kohalike ametnike või edasimüüja käest.



Euroopa vastavusmärk



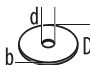
Ühendkuningriigi vastavusmärk



Ukraina vastavusmärk



Euraasia vastavusmärk

Серийный номер изделия	4679 85 02... ...000001-999999
Номинальное число оборотов	20000 min ⁻¹
 D=Диаметр отрезного круга.....	76 mm
d=Диаметр отверстия	10 mm
b=Толщина отрезного круга мин. / макс.	1 mm / 3,2 mm
Глубина резки	16,3 mm
Ширина шtroбы	min. 1 mm / max. 3,2 mm
Вольтаж аккумулятора	12 V
Вес согласно процедуре EPTA 01/2014 (6,0 Ah)	1,3 kg
Рекомендованная температура окружающей среды во время работы.....	-18...+50 °C
Рекомендованные типы аккумуляторных блоков.....	M12B2...M12B6
Рекомендованные зарядные устройства.....	C12C,M12C4, M12-18AC,M12-18C, M12-18C3, M12-18FC,...

Информация по шуму/вибрации (резка бетона)
 Значения замерялись в соответствии со стандартом EN 60 745. Обычное низкочастотное звуковое давление, производимое инструментом, составляет
 Уровень звукового давления (Небезопасность K=3dB(A))..... 105 dB (A)
 Уровень звуковой мощности (Небезопасность K=3dB(A))..... 94 dB (A)
 Пользуйтесь приспособлениями для защиты слуха.
 Общие значения вибрации (векторная сумма трех направлений) определены в соответствии с EN 60745.
 Значение вибрационной эмиссии a_{h,SG}..... 2,9 m/s²
 Небезопасность K=..... 1,5 m/s²

ВНИМАНИЕ
 Указанный в настоящем руководстве уровень вибрации измерен в соответствии с технологией измерения, установленной стандартом EN 60745 и может использоваться для сравнения электроинструментов друг с другом. Он также подходит для предварительной оценки вибрационной нагрузки.

Указанный уровень вибрации представляет основные виды использования электроинструмента. Но если электроинструмент используется для других целей, используемый инструмент отклоняется от указанного или техническое обслуживание было недостаточным, то уровень вибрации может отклоняться от указанного. В этом случае вибрационная нагрузка в течение всего периода работы значительно увеличивается.
 Для точной оценки вибрационной нагрузки необходимо также учитывать время, в течение которого прибор отключен или включен, но фактически не используется. В этом случае вибрационная нагрузка в течение всего периода работы может существенно уменьшиться.
 Установите дополнительные меры безопасности для защиты пользователя от воздействия вибрации, например: техническое обслуживание электроинструмента и используемого инструмента, поддержание рук в теплом состоянии, организация рабочих процессов.

⚠ ПРЕДУПРЕЖДЕНИЕ! Прочтите все указания по безопасности и инструкции. Улучшения, допущенные при не соблюдении указаний и инструкций по технике безопасности, могут стать причиной электрического поражения, пожара и тяжелых травм.
Сохраняйте эти инструкции и указания для будущего использования.

⚠ УКАЗАНИЯ ПО БЕЗОПАСНОСТИ ДЛЯ ЦИРКУЛЯРНЫХ ПИЛ

- a) Защитный кожух электроинструмента следует безопасно надеть и таким образом отрегулировать, чтобы обеспечить максимальную безопасность, т.е. так, чтобы со стороны пользователя открытой осталась минимально возможная часть шлифовального круга. Вам и находящимся поблизости людям необходимо держаться за пределами плоскости вращающегося шлифовального круга. Защитный кожух служит для защиты пользователя от обломков и случайного контакта со шлифовальным кругом.
- b) Используйте для вашего электроинструмента исключительно закрепленные усиленные или алмазные отрезные диски. Возможное закрепление принадлежностей на вашем электроинструменте не гарантирует безопасность использования.
- c) Допустимое число оборотов используемого инструмента должно быть как минимум таким же, как и максимальное число оборотов, указанное на электроинструменте. Комплекующие, которые вращаются быстрее допустимой скорости, могут сломаться и отлететь.
- d) Абразивные инструменты допускаются применять только для рекомендуемых работ. Например: никогда

- не шлифуйте боковой поверхностью отрезного круга. Отрезные круги предназначены для съема материала с кромкой. Боковые силы на этот абразивный инструмент могут сломать его.
- e) Всегда используйте для выбранного Вами отрезного диска неповрежденные зажимные фланцы соответствующего размера. Правильно выбранные фланцы поддерживают отрезной диск и, таким образом, уменьшают опасность его разрушения.
- f) Не применяйте изношенные шлифовальные круги больших электроинструментов. Шлифовальные круги для больших электроинструментов изготовлены не для высоких скоростей вращения маленьких электроинструментов и их может разорвать.
- g) Внешний диаметр и толщина инструментальной насадки должны соответствовать размеру Вашего электрического инструмента. Неправильно выбранные инструментальные насадки не могут в достаточной мере закрываться или контролироваться.
- h) Шлифовальные круги и фланцы должны точно подходить к шлифовальному шпинделю вашего электроинструмента. Используемые инструменты, которые не точно подходят к шлифовальному шпинделю электроинструмента, вращаются неравномерно, очень сильно вибрируют и могут привести к потере контроля.
- i) Не используйте поврежденные шлифовальные круги. Перед каждым применением проверяйте шлифовальные круги на наличие сколов и трещин. При падении электроинструмента или шлифовального круга проверьте их на наличие повреждений или используйте неповрежденный шлифовальный круг. Если вы проверили и установили шлифовальный круг, то вам и

находящимся поблизости людям необходимо держаться за пределами плоскости вращающегося шлифовального круга и проверить прибор в течение минуты на максимальной скорости вращения. Поврежденные шлифовальные круги разрушаются, как правило, в течение данного контрольного времени.

- j) Применяйте средства индивидуальной защиты. В зависимости от выполняемой работы применяйте защитный щиток для лица, защитное средство для глаз или защитные очки. Насколько уместно, применяйте противопылевой респиратор, средства защиты органов слуха, защитные перчатки или специальный фартук, которые защищают Вас от абразивных частиц и частиц материала. Глаза должны быть защищены от летающих в воздухе посторонних тел, которые возникают при выполнении различных работ. Противопылевой респиратор или защитная маска органов дыхания должны задерживать возникающую при работе пыль. Продолжительное воздействие сильного шума может привести к потере слуха.
 - k) Следите за тем, чтобы иные лица находились на безопасном расстоянии от Вашего рабочего места. Каждый входящий в рабочую зону должен пользоваться средствами защиты. Отлетающие обломки обрабатываемой детали или инструментальных насадок могут нанести травму и за пределами рабочей зоны.
 - l) Если Вы выполняете работы, при которых режущий инструмент может зацепить скрытую электропроводку или собственный кабель, инструмент следует держать за специально предназначенные для этого изолированные поверхности. Контакт режущего инструмента с токоведущим проводом может ставить под напряжение металлические части прибора, а также приводить к удару электрическим током.
 - m) Держите шнур подключения питания в стороне от вращающегося рабочего инструмента. Если Вы потеряете контроль над инструментом, то шнур подключения питания может быть перерезан или захвачен вращающейся частью и Ваша кисть или рука может попасть под вращающийся рабочий инструмент.
 - n) Никогда не кладите электрический инструмент до тех пор, пока инструментальная насадка полностью не остановится. Вращающаяся насадка может коснуться поверхности, на которую Вы кладёте электрический инструмент, вследствие чего Вы можете потерять над ним контроль.
 - o) Выключайте электроинструмент при транспортировании. Ваша одежда может быть случайно захвачена вращающимся рабочим инструментом и последний может нанести Вам травму.
 - p) Регулярно очищайте вентиляционные прорези Вашего электроинструмента. Вентилятор двигателя затягивает пыль в корпус и большое скопление металлической пыли может привести к электрической опасности.
 - q) Не используйте электрический инструмент вблизи горючих материалов. Искры могут привести к возгоранию этих материалов.
 - r) Не пользуйтесь инструментальными насадками, требующими применения жидких охлаждающих средств. Использование воды или иных жидких охлаждающих средств может привести к поражению электрическим током.
- Прочие указания по безопасности при работе с абразивно-отрезными станками**
- Отдача и соответствующие указания по технике безопасности:**
 Отдача – это внезапная реакция вследствие заедания или блокирования вращающегося шлифовального круга. Заедание или блокирование приводят к резкому останову используемого вращающегося инструмента. В результате этого неконтролируемый электроинструмент ускоряется против направления вращения используемого инструмента в месте блокирования.
- j) Будьте особенно осторожны при выполнении резов с «погружением» в стены или на других не просматриваемых участках. Погружающийся отрезной круг может при резании газопровода или водопровода, электрических проводов или других объектов привести к обратному удару.

Если шлифовальный круг заедает или блокирует в заготовке, то погруженная в заготовку кромка шлифовального круга может быть зажата и в результате привести к выскакиванию круга из заготовки или к обратному удару. При этом шлифовальный круг движется на оператора или от него, в зависимости от направления вращения круга на месте блокирования. При этом шлифовальный круг может поломаться.

Обратный удар является следствием неправильного использования электроинструмента или ошибки оператора. Он может быть предотвращен описанными ниже мерами предосторожности.

- a) Крепко держите электроинструмент и займите Вашим телом и руками положение, в котором Вы можете противодействовать обратным силам. При наличии, всегда применяйте дополнительную рукоятку, чтобы как можно лучше противодействовать обратным силам или реакционным моментам при наборе оборотов. Оператор может подходящими мерами предосторожности противодействовать силам обратного удара и реакционным силам.
- b) Ваша рука никогда не должна быть вблизи вращающегося рабочего инструмента. При обратном ударе рабочий инструмент может пойти по Вашей руке.
- c) Избегайте пребывания в зоне перед вращающимся отрезным диском и за ним. Отдача побуждает электроинструмент двигаться в направлении, противоположном движению шлифовального круга в месте блокирования.
- d) Особенно осторожно работайте на углах, острых кромках и т.д. Предотвращайте отскок рабочего инструмента от заготовки и его заклинивание. Вращающийся рабочий инструмент склонен на углах, острых кромках и при отскоке к заклиниванию. Это вызывает потерю контроля или обратный удар.
- e) Не используйте целное или зубчатое полотно, а также сегментированный алмазный диск с прорезями шириной более 10 мм. Использование таких инструментов часто вызывает отдачу и потерю контроля над электроинструментом.
- f) Предотвращайте блокирование отрезного круга и избыточное усилие прижатия. Не выполняйте слишком глубоких резов. Перегрузка отрезного круга повышает его нагрузку и склонность к перекачиванию или блокированию и этим возможность обратного удара или поломки абразивного инструмента.
- g) При заклинивании отрезного круга и при перерыве в работе выключайте электроинструмент и держите его спокойно, неподвижно до останова круга. Никогда не пытайтесь вынуть еще вращающийся отрезной круг из реза, так как это может привести к обратному удару. Установите и устраните причину заклинивания.
- h) Не включайте повторно электроинструмент пока абразивный инструмент находится в заготовке. Дайте отрезному кругу развить полное число оборотов, перед тем как Вы осторожно продолжите резание. В противном случае круг может заест, он может выскочить из детали и привести к обратному удару.
- i) Плиты или большие заготовки должны надежно лежать на опоре, чтобы снизить опасность обратного удара при заклинивания отрезного круга. Большие заготовки могут прогибаться под собственным весом. Заготовка должна лежать на опорах с обеих сторон, как вблизи реза, так и по краям.
- j) Будьте особенно осторожны при выполнении резов с «погружением» в стены или на других не просматриваемых участках. Погружающийся отрезной круг может при резании газопровода или водопровода, электрических проводов или других объектов привести к обратному удару.

ДОПОЛНИТЕЛЬНЫЕ УКАЗАНИЯ ПО БЕЗОПАСНОСТИ И РАБОТЕ

Допустимое число оборотов используемого инструмента должно быть как минимум таким же, как и максимальное число оборотов, указанное на электроинструменте. Комплекующие, которые вращаются быстрее допустимой скорости, могут сломаться и отлететь.

Пользоваться средствами защиты. Работать с инструментом всегда в защитных очках. Рекомендуется: пылезастыжная маска, защитные перчатки, прочная и нескользящая обувь, каска и наушники.

ПРЕДУПРЕЖДЕНИЕ Для минимизации рисков при работах с образованием большого количества пыли рекомендуем использовать устройство пылеудаления Milwaukee согласно инструкции по эксплуатации.

Пыль, возникающая при работе данным инструментом, может нанести вред здоровью. Не следует допускать её попадания в организм. Надевайте противопылевой респиратор.

Запрещается обрабатывать материалы, которые могут нанести вред здоровью (напр., асбест).

При блокировании используемого инструмента немедленно выключить прибор! Не включайте прибор до тех пор, пока используемый инструмент заблокирован, в противном случае может возникнуть отдача с высоким реактивным моментом. Определите и устраните причину блокирования используемого инструмента с учетом указаний по безопасности.

Возможными причинами могут быть:

- перекос заготовки, подлежащей обработке
- разрушение материала, подлежащего обработке
- перегрузка электроинструмента

Не прикасаться к работающему станку.

Используемый инструмент может нагреваться во время применения.

- при смене инструмента
- при укладывании прибора

При работе в стенах, потолках или полу следите за тем, чтобы не повредить электрические кабели или водопроводные трубы.

Выньте аккумулятор из машины перед проведением с ней каких-либо манипуляций.

Не выбрасывайте использованные аккумуляторы вместе с домашним мусором и не сжигайте их. Дистрибьюторы компании Milwaukee предлагают восстановление старых аккумуляторов, чтобы защитить окружающую среду.

Не храните аккумуляторы вместе с металлическими предметами во избежание короткого замыкания.

Для зарядки аккумуляторов модели M12 используйте только зарядным устройством M12. Не заряжайте аккумуляторы других систем.

Никогда не вскрывайте аккумуляторы или зарядные устройства и храните их только в сухих помещениях. Следите, чтобы они всегда были сухими.

Аккумуляторная батарея может быть повреждена и дать течь под воздействием чрезмерных температур или повышенной нагрузки. В случае контакта с аккумуляторной кислотой немедленно промойте место контакта мылом и водой. В случае попадания кислоты в глаза промойте глаза в течении 10 минут и немедленно обратитесь за медицинской помощью.

Предупреждение! Для предотвращения опасности пожара в результате короткого замыкания, травм и повреждения изделия не опускайте инструмент, сменный аккумулятор или зарядное устройство в жидкости и не допускайте попадания жидкостей внутрь устройств или аккумуляторов. Коррозийные и проводящие жидкости, такие как соленый раствор, определенные химикаты, отбеливающие средства или

содержащие их продукты, могут привести к короткому замыканию.

ИСПОЛЬЗОВАНИЕ

Этот отрезной инструмент предназначен для обрезки различных материалов.

Не пользуйтесь данным инструментом способом, отличным от указанного для нормального применения.

Чтобы свести к минимуму риск получения травмы, используйте только алмазные шлифовальные круги первого типа с максимальной толщиной 3,2 мм, которые обеспечивают безопасную работу с минимальной скоростью 20 000 об/мин. Шлифовальные круги первого типа подходят только для бокового шлифования и не подходят для торцевого шлифования. Соблюдайте все указания по технике безопасности, прилагаемые к отрезным шлифовальным кругам.

Для выбора подходящего шлифовального круга воспользуйтесь приведенной ниже информацией. В зависимости от материала следует использовать различные шлифовальные круги. Соблюдайте указания по применению производителя шлифовальных кругов.

Тип круга	Материал шлифования
Карбидный шлифовальный круг	гипсокартон, волокнистый цемент, пластмасса
Отрезной шлифовальный круг	сталь, нержавеющая сталь, неметаллосодержащие материалы
Алмазный шлифовальный круг	плитка, бетон, кирпич, керамика

ДЕКЛАРАЦИЯ О СООТВЕТСТВИИ СТАНДАРТАМ ЕС

Мы заявляем под собственную ответственность, что изделие, описанное в разделе „Технические характеристики“, соответствует всем важным предписаниям Директивы 2011/65/EU (Директива об ограничении применения опасных веществ в электрических и электронных приборах), 2014/30/EU, 2006/42/ЕС и приведенным далее гармонизированным нормативным документам:

EN 60745-1:2009+A11:2010
EN 60745-2-22:2011+A11:2013
EN 55014-1:2017+A11:2020
EN 55014-2:2015
EN IEC 63000:2018

Winnenden, 2020-10-29



Alexander Krug
Managing Director



Уполномочен на составление технической документации.

Techtronic Industries GmbH
Max-Eyth-Straße 10
71364 Winnenden
Germany

АККУМУЛЯТОР

Перед использованием аккумулятора, которым не пользовались некоторое время, его необходимо зарядить.

Температура свыше 50°C снижает работоспособность аккумуляторов. Избегайте продолжительного нагрева или прямого солнечного света (риск перегрева).

Контакты зарядного устройства и аккумуляторов должны содержаться в чистоте.

Для обеспечения оптимального срока службы аккумулятора необходимо полностью заряжать после использования прибора.

Для достижения максимального возможного срока службы аккумулятора после зарядки следует вынимать из зарядного устройства.

При хранении аккумулятора более 30 дней: Храните аккумулятор при 27°C в сухом месте. Храните аккумулятор с зарядом примерно 30% - 50%. Каждые 6 месяцев аккумулятор следует заряжать.

ЗАЩИТА АККУМУЛЯТОРА ОТ ПЕРЕГРУЗКИ

Аккумуляторный блок оснащен предохранителем от перегрузки, который защищает аккумулятор от перегрузки и обеспечивает долгий срок службы. При чрезмерно сильных нагрузках электроника аккумулятора автоматически отключит машину. Для продолжения работы машину выключить и снова включить. Если машина не включается, то, возможно, разрядился аккумуляторный блок и следует зарядить его в зарядном устройстве.

ТРАНСПОРТИРОВКА ЛИТИЙ-ИОННЫХ АККУМУЛЯТОРОВ

Литий-ионные аккумуляторы в соответствии с предписаниями закона транспортируются как опасные грузы.

Транспортировка этих аккумуляторов должна осуществляться с соблюдением местных, национальных и международных предписаний и положений.

- Эти аккумуляторы могут перевозиться по улице потребителем без дальнейших обязательств.
- При коммерческой транспортировке литий-ионных аккумуляторов экспедиторскими компаниями действуют положения, касающиеся транспортировки опасных грузов. Подготовка к отправке и транспортировка должны производиться исключительно специально обученными лицами. Весь процесс должен находиться под контролем специалиста.

При транспортировке аккумуляторов необходимо соблюдать следующие пункты:

- Убедитесь, что контакты защищены и изолированы во избежание короткого замыкания.
- Следите за тем, чтобы аккумуляторный блок не соскользнул внутри упаковки.
- Транспортировка поврежденных или протекающих аккумуляторов запрещена.

За дополнительными указаниями обратитесь к своему экспедитору.

ОБСЛУЖИВАНИЕ

Всегда держите охлаждающие отверстия чистыми.

Отключите инструмент от питающей сети перед установкой или снятием режущего полотна.

Очищать прибор и защитное устройство с помощью сухой салфетки. Некоторые чистящие средства могут повредить пластмассу или другие изолированные части. Содержать прибор в чистоте и в сухом виде, а также следить, чтобы не выступала масло и смазка. Проверить функционирование защитных кожухов. Регулярное техобслуживание и очистка обеспечат продолжительный срок службы и безопасное обращение.

Пользуйтесь аксессуарами и запасными частями Milwaukee. В случае возникновения необходимости в замене, которая

не была описана, обращайтесь в один из сервисных центров по обслуживанию электроинструментов Milwaukee (см. список сервисных организаций).

При необходимости, у сервисной службы или непосредственно у фирмы Techtronic Industries GmbH, Max-Eyth-Straße 10, 71364, Винненден, Германия, можно запросить сборочный чертеж устройства, сообщив его тип и шестизначный номер, указанный на фирменной табличке.

СИМВОЛЫ



ВНИМАНИЕ! ПРЕДУПРЕЖДЕНИЕ!
ОПАСНОСТЬ!



Выньте аккумулятор из машины перед проведением с ней каких-либо манипуляций.



Пожалуйста, внимательно прочтите инструкцию по использованию перед началом любых операций с инструментом.



Надевать защитные перчатки!



Пользуйтесь приспособлениями для защиты слуха.



При работе с инструментом всегда надевайте защитные очки.
Надевайте противопылевой респиратор.



Принадлежности - В стандартную комплектацию не входит, поставляется в качестве дополнительной принадлежности.



Электроприборы, батареи/аккумуляторы запрещено утилизировать вместе с бытовым мусором.
Электрические приборы и аккумуляторы следует собирать отдельно и сдавать в специализированную компанию для утилизации в соответствии с нормами охраны окружающей среды.
Получите в местных органах власти или у вашего специализированного дилера сведения о центрах вторичной переработки и пунктах сбора.



Европейский знак соответствия



Британский знак соответствия

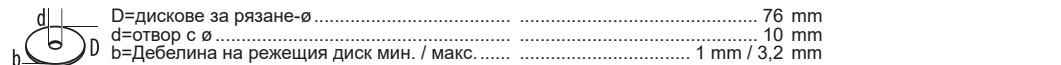


Украинский знак соответствия



Евразийский знак соответствия

Производствен номер.....	4679 85 02...
Номинална скорост на въртене.....	...000001-999999 20000 min ⁻¹



Дълбочина на рязане:	16,3 mm
Ширина на рязане.....	min. 1 mm / max. 3,2 mm
Напрежение на акумулатора	12 V
Тегло съгласно процедурата ЕРТА 01/2014 (6,0 Ah)	1,3 kg
Препоръчителна околна температура при работа.....	-18...+50 °C
Препоръчителни видове акумулаторни батерии.....	M12B2...M12B6
Препоръчителни зарядни устройства.....	C12C,M12C4, M12-18AC,M12-18C, M12-18C3, M12-18FC,....

Информация за шума/вибрациите (рязане на бетон)
Измерените стойности са получени съобразно EN 60 745.
Нивото на звуково налягане на уреда в db (A) обикновено съставлява
Равнище на звуковото налягане (Несигурност K=3dB(A)) 105 dB (A)
Равнище на мощността на звука (Несигурност K=3dB(A)) 94 dB (A)
Да се носи предпазно средство за слуха!

Общите стойности на вибрациите (векторна сума на три посоки) са определени в съответствие с EN 60745.
Стойност на емисии на вибрациите a_{n,sg} 2,9 m/s²
Несигурност K= 1,5 m/s²

ВНИМАНИЕ
Посоченото в тези инструкции ниво на вибрациите е измерено в съответствие със стандартизиран в EN 60745 измервателен метод и може да се използва за сравнение на електрически инструменти помежду им. Подходящ е и за временна оценка на вибрационното натоварване.
Посоченото ниво на вибрациите представя основните приложения на електрическия инструмент. Ако обаче електрическият инструмент се използва с друго предназначение, с различни сменяеми инструменти или при недостатъчна техническа поддръжка, нивото на вибрациите може да е различно. Това чувствително може да увеличи вибрационното натоварване по време на целия работен цикъл.

За точната оценка на вибрационното натоварване трябва да се вземат предвид и периодите от време, в които уредът е изключен или работи, но в действителност не се използва. Това чувствително може да намали вибрационното натоварване по време на целия работен цикъл.

Определете допълнителни мерки по техника на безопасност в защита на обслужващия работник от въздействието на вибрациите като например: техническа поддръжка на електрическия инструмент и сменяемите инструменти, поддръжане на ръцете топли, организация на работния цикъл.

⚠ ПРЕДУПРЕЖДЕНИЕ! Прочетете всички указания и напътствия за безопасност. Улучения, допускания при споблюдени указания и инструкции по технике безопасност, могат стать причиной електрического поражения, пожара и тяжелых травм. Сохраняйте эти инструкции и указания для будущего использования.

⚠ ИНСТРУКЦИИ ЗА БЕЗОПАСНОСТ ЗА ЦИРКУЛЯРИ.

- a) Предпазният капак принадлежаш към електроинструмента трябва да бъде монтиран сигурно и да бъде регулиран така, че да бъде постигната максимална безопасност, т.е. възможно най-малка част от абразивния диск да се показва открито към оператора. Вие и намиращи се наоколо лица стойте извън обсега на въртящия се шлифовъчен диск.** Предпазният капак служи за защита на оператора от фрагменти и случаен контакт с абразивния диск.
- b) Използвайте само слепени и подсилени или диамантени режещи дискове с Вашия електроинструмент.** Само защото аксесоарът може да бъде прикачен към Вашия електроинструмент, не означава, че употребата му е безопасна.
- c) Допустимите обороти на работния инструмент трябва да бъдат най-малко толкова високи, колкото посочените на електроинструмента максимални обороти.** Аксесоари, които се въртят по-бързо от допустимото, могат да се счупят и да се разхвърчат.

- d) Допуска се употребата на абразивните дискове само за целите, за които те са предвидени. Напр.: никога не шлифвайте със страничната повърхност на режещ диск.** Режещите дискове са предназначени за отнемане на материал чрез ръба им. Странично прилагане на сила може да ги счупи.
- e) Винаги използвайте не повредени обтягащи фланци с правилен размер за избрания от Вас режещ диск.** Подходящият фланец поддържа режещия диск и така намалява опасността от счупването му.
- f) Не използвайте износени шлифовъчни дискове от по-големи електроинструменти.** Дисковете за по-големи електроинструменти не са предназначени за по-високите обороти, с които се въртят по-малки електроинструменти, и могат да се счупят.
- g) Външният диаметър и дебелината на работния инструмент трябва да отговарят на посочените размери на Вашия електроинструмент.** Работни инструментите с неподходящи размери не могат да бъдат покрити достатъчно или да бъдат контролирани.
- h) Шлифовъчните дискове и фланците трябва да пасват точно на шпиндела на Вашия електроинструмент.** Работни инструменти, които не пасват точно на шпиндела на електроинструмента, се въртят неравномерно, вибрират силно и могат да доведат до загуба на контрол.
- i) Не използвайте повредени шлифовъчни дискове.** Преди всяка употреба преглеждайте шлифовъчните дискове за отломки и пукнатини. Ако изпуснете електроинструмента или шлифовъчния

диск, проверете, дали не са повредени или използвайте неповреден шлифовъчен диск. След като проверите шлифовъчния диск и го поставите в електроинструмента, Вие и намиращи се наоколо лица стойте извън обсега на въртящия се шлифовъчен диск и оставете уреда да работи една минута на максимални обороти. Повредени шлифовъчни дискове обикновено се счупват по време на този тест.

j) Носете лични предпазни средства. Според необходимостта използвайте цяла лицева маска, маска за очи или защитни очила. Ако е необходимо носете маска срещу прах, защита на слуха, предпазни ръкавици или специална престилка, която предпазва от малки частици от диска или от материала. Очите трябва да се защитени от чужди тела, които могат да отлитнат по различни причини. Противопрашната или дихателната маска трябва да могат да филтрират праха, който се образува при работа. Ако сте изложени дълго време на силен шум, това може да причини загуба на слуха Ви.

k) Внимавайте останалите лица да са на безопасно разстояние от Вашата работна зона. Всеки, който влиза в работната зона, трябва да носи лични предпазни средства. Отчупени парченца от обработваната част или от счупени работни инструменти могат да отлетят и да причинят наранявания дори и на лица извън непосредствената работна зона.

l) Дръжте електроинструмента за изолираните ръкохватки, когато извършвате работи, при които работният инструмент може да засегне скрити електроинсталационни кабели или собствения си кабел. Контактът му с тоководещ проводник може да предаде напрежението върху металните му части и да доведе до токов удар.

m) Дръжте захранващия кабел на безопасно разстояние от въртящите се работни инструменти. Ако изгубите контрол над електроинструмента, кабелът може да бъде прерязан или увлечен от работния инструмент и ръката Ви да попадне във въртящия се работен инструмент.

n) Никога не оставяйте електроинструмента, докато работният инструмент не е напълно спрял. Въртящия се работен инструмент може да влезе в контакт с повърхността, върху която сте оставили електроинструмента, поради което може да загубите контрола върху него.

o) Докато пренасяте електроинструмента, не го оставяйте включен. При неволно допир дрехите или косите Ви могат да бъдат увлечени от работния инструмент, в резултат на което работният инструмент може да се вреже в тялото Ви.

p) Почиствайте редовно шлицовете за проветрение на електроинструмента. Духалката на мотора засмуква прах в корпуса на електроинструмента, а насъбирането на метален прах може да причини електрически опасности.

q) Не работете с електроинструмента в близост до запалими материали. Искрите могат да възпламенят тези материали.

r) Не използвайте работни инструменти, които трябва да се охлаждат с течности. Употребата на вода или на други течни охлаждащи средства може да доведе до токов удар.

Допълнителни инструкции за безопасност при извършване на абразивно рязане

Откат на машината и съответни указания за безопасност

Откат е внезапна реакция в резултат на засядащ или блокиран въртящ се шлифовъчен диск. Засядане или блокиране води до рязко спиране на въртящия се работен инструмент. Така електроинструмента бива

неконтролируемо ускорен в посока обратна на посоката на въртене на работния инструмент на мястото на блокиране.

Ако напр. шлифовъчният диск се заклини или блокира в обработваната част, ръбът на диска, който влиза в обработваната част, може да се заплете и по този начин шлифовъчният диск може да се счути или да бъде предизвикан откат. Тогава шлифовъчният диск се отправя към или се отдалечава от обслужващото лице, в зависимост от посоката на въртене на диска на мястото на блокиране. В такъв случай шлифовъчните дискове могат също да се счупят.

Откатът е резултат от неправилна или погрешна употреба на електроинструмента. Той може да бъде предотвратен чрез подходящи мерки за безопасност, както е описано в следното.

a) Хванете здраво машината и дръжте тялото и ръцете си в такова положение, в което да можете да поемете силата на отката. Винаги използвайте допълнителната ръкохватка, ако има такава, за да имате възможно най-голям контрол върху силата на отката или върху реактивния въртящ момент. Чрез подходящи мерки за безопасност обслужващият персонал може да овладее силите на отката и на реакция.

b) Никога не приближавайте ръцете си до въртящи се работни инструменти. При откат въртящия се работен инструмент може да се окаже върху ръцете Ви.

c) Избягвайте зоната пред и зад въртящия се диск за рязане. Откатът на мястото на блокиране изтласква електроинструмента в посока обратна на посоката на движение на шлифовъчния диск.

d) Работете особено предпазливо в зоните на ъгли, остри ръбове и др. п. Избягвайте отблъскването на работните инструменти от обработваната част и заклиняването им в нея. При обработване на ъгли или остри ръбове или при рязко отблъскване на въртящия се работен инструмент съществува повишена опасност от заклиняване. Това предизвиква загуба на контрол над машината или откат.

e) Не използвайте верижни триони или назъбени циркулярни дискове както и сегментирани диамантени дискове с прорези по-широки от 10 мм. Такива работни инструменти водят често до откат или загуба на контрол над електроинструмента.

f) Не допускате блокиране или твърде силно притискане на режещия диск. Не правете прекалено дълбоки разрези. Претоварването на режещия диск повишава силите, които действат върху него, а с това и опасността от заклиняване или блокиране, което от своя страна може да доведе до откат или счупване на абразивния диск.

g) Ако режещият диск се заклини или когато прекъсват работата, изключвайте електроинструмента и го дръжте спокойно, докато дискът окончателно спре да се върти. Никога не опитвайте да извадите въртящия се диск от разреза, в противен случай може да възникне откат. Открийте и отстранете причината за заклиняването.

h) Никога не включвайте електроинструмента отново, докато той се намира в обработваната част. Нека режещият диск достигне първо максималните си обороти, преди внимателно да продължите с рязането. В противен случай режещият диск може да заседне, да изскочи от обработваната част или да предизвика откат.

i) Когато режете плоскости или по-големи детайли, ги опрете, за да избегнете риска от откат при заклемване на режещия диск. Големите детайли могат да се огънат от собствената си тежест. Детайлът трябва да е подпрян на две места, а именно в близост до разреза и в края му.

j) Бъдете особено внимателни при рязане на „джобове“ в стени или в други зони, където няма видимост. При прерязване на газопроводи, водопроводи, електропроводи или други обекти, режещият диск може да причини откат.

ДОПЪЛНИТЕЛНИ УКАЗАНИЯ ЗА РАБОТА И БЕЗОПАСНОСТ

Допустимата честота на въртене на използвания за инструмент трябва да бъде поне толкова висока, колкото и посочената на уреда честота на въртене. Аксесоарите, който се въртят по-бързо от допустимото, могат да се счупят и да се разхвърчат.

Да се използват предпазни средства. При работа с машината винаги носете предпазни очила. Препоръчват се защитно облекло и прахозащитна маска, защитни ръкавици, здрави и нехлъзгащи се обувки, каска и предпазни средства за слуха.

ПРЕДУПРЕЖДЕНИЕ За да се намали рискът от нараняване при работа със значително запрашаване, препоръчваме използването на прахоулавящо решение на Milwaukee съгласно ръководството за употреба.

Прахът, който се образува при работа, често е вреден за здравето и не бива да попада в тялото. Да се носи подходяща прахозащитна маска.

Не е разрешена обработката на материали, които представляват опасност за здравето (напр. азбест).

Ако използваният инструмент блокира, изключете веднага уреда! Не включвайте уреда отново, докато използваният инструмент е блокиран; това би могло да доведе до откат с висока реактивна сила. Открийте и отстранете причината за блокирането на използвания инструмент имайки в предвид инструкциите за безопасност.

Възможните причини за това могат да бъдат:

- Заклинване в обработваната част
- Пробиване на материала
- Пренатоварване на електрическия инструмент

Не бъркайте в машината, докато тя работи.

Използваният инструмент може да загрее по време на употреба.

- при смяна на инструмента
- при оставяне на уреда

При работа в стени, тавани или подове внимавайте за кабели, газопроводи и водопроводи.

Преди започване на каквито е да е работи по машината извадете акумулатора.

Не изхвърляйте изхабените акумулатори в огъня или в при битовите отпадъци. Milwaukee предлага екологосъобразно събиране на старите акумулатори; моля попитайте Вашия специализиран търговец.

Не съхранявайте акумулаторите заедно с метални предмети (опасност от късо съединение).

Акумулатори от системата M12 да се зареждат само със зарядни устройства от системата M12 laden. Да не се зареждат акумулатори от други системи.

Не отваряйте акумулатори и зарядни устройства и ги съхранявайте само в сухи помещения. Пазете ги от влага.

При екстремно натоварване или екстремна температура от повредени акумулатори може да изтече батерийна течност. При допир с такава течност веднага измийте с вода и сапун. При контакт с очите веднага изплаквайте старателно най-малко 10 минути и незабавно потърсете лекар.

Предупреждение! За да избегнете опасността от пожар, предизвикана от късо съединение, както и нараняванията и повредите на продукта, не потапяйте инструмента, сменяемата акумулаторна батерия или зарядното устройство в течности и се погрижете в

урдите и акумулаторните батерии да не попадат в течности. Течностите, предизвикващи корозия или провеждащи електричество, като солена вода, определени химикали, избелващи вещества или продукти, съдържащи избелващи вещества, могат да предизвикат късо съединение.

ИЗПОЛЗВАНЕ ПО ПРЕДНАЗНАЧЕНИЕ

Този инструмент за прекъсване е предназначен за изрязване на различни материали.

Този уред може да се използва по предназначение само както е посочено.

За да се сведе до минимум опасността от нараняване, използвайте само диамантени шлифовъчни дискове от тип 1 с максимална дебелина от 3,2 mm, с които може да се работи безопасно при минимални обороти от 20 000 min⁻¹. Шлифовъчните дискове от тип 1 са подходящи само за странично шлифване, но не и за плоско шлифване. Спазвайте всички указания за безопасност, които се доставят с режещите дискове.

Използвайте посочения по-нататък преглед за избор на подходящия шлифовъчен диск. В зависимост от материала, трябва да се използват различни шлифовъчни дискове. Обърнете внимание на указанията за употреба от производителя на шлифовъчните дискове.

Вид дискове	За шлифване на
Карбидни шлифовъчни дискове	гипсокартон, влакнест цимент, пластмаса
Режещи дискове	стомана, неръждаема стомана, материали без съдържание на желязо
Диамантени дискове	плочки, бетон, цигли, керамика

СЕ – ДЕКЛАРАЦИЯ ЗА СЪОТВЕТСТВИЕ

Заявяваме под собствена отговорност, че описаният в „Технически данни“ продукт съответства на всички важни разпоредби на директива 2011/65/EU (RoHS), 2014/30/EU, 2006/42/EO, както и на всички следващи нормативни документи във тази връзка.

EN 60745-1:2009+A11:2010
EN 60745-2-22:2011+A11:2013
EN 55014-1:2017+A11:2020
EN 55014-2:2015
EN IEC 63000:2018

Winnenden, 2020-10-29



Alexander Krug
Managing Director



Упълномощен за съставяне на техническата документация
Techtronic Industries GmbH
Max-Eyth-Straße 10
71364 Winnenden
Germany

АКУМУЛАТОРИ

Акумулатори, които не са ползвани по-дълго време, преди употреба да се дозаредят.

Температура над 50°C намалява мощността на акумулатора. Да се избягва по-продължително нагряване на слънце или от отопление.

Поддържайте чисти присъединителните контакти на зарядното устройство и на акумулатора.

С цел оптимална продължителност на живот след употреба батериите трябва да бъдат заредени напълно

За възможно по-дълга продължителност на живот батериите трябва да се изваждат от уреда след зареждане.

При съхранение на батериите за повече от 30 дни: съхранявайте батерията при прибл. 27°C и на сухо място. Съхранявайте батерията при 30 до 50 % от заряда. Зареждайте батерията на всеки 6 месеца.

ЗАЩИТА ОТ ПРЕТОВАРВАНЕ НА БАТЕРИЯТА

Акумулаторният пакет е оборудван със защита против претоварване, която защитава акумулатора от претоварване и гарантира дълъг експлоатационен живот. При извънредно силно натоварване електрониката на акумулатора автоматично изключва машината. За продължаване на работата изключете и отново включете машината. Ако машината не може да се пусне наново, може би акумулаторният пакет е разреден и трябва отново да се зареди в зарядното устройство.

ПРЕВОЗ НА ЛИТИЕВО-ЙОННИ БАТЕРИИ

Литиево-йонните батерии са предмет на законовите разпоредби за превоз на опасни товари.

Превозът на тези батерии трябва да се извършва в съответствие с местните, националните и международните разпоредби и регламенти.

- Потребителите могат да превозват тези батерии по пътя без допълнителни изисквания.
- Превозът на литиево-йонни батерии от транспортни компании е предмет на законовите разпоредби за превоз на опасни товари. Подготовката на превоза и самият превоз трябва да се извършват само от обучени лица. Целият процес трябва да е под професионален надзор.

Спазвайте следните изисквания при превоз на батерии:

- Уверете се, че контактите са защитени и изолирани, за да се избегне късо съединение.
- Уверете се, че няма опасност от разместване на батерията в опаковката.
- Не превозвайте повредени батерии или такива с течове.

Обърнете се към Вашата транспортна компания за допълнителни инструкции.

ПОДДРЪЖКА

Вентилационните шлицы на машината да се поддържат винаги чисти.

Уверете се, че инструментът е с прекъснато електрическо захранване, преди да поставяте или сваляте режещия диск.

Почиствайте уреда и предпазното съоръжение със суха кърпа. Някои почистващи препарати могат да повредят пластмасата или други изолирани части. Дръжте уреда чист и сух, както и следете за изтичане на масло и грес. Проверете функционалността на предпазните капаци. Редовната поддръжка и редовното почистване осигуряват по-дълъг живот и по-сигурна експлоатация.

Да се използват само аксесоари на Milwaukee резервни части на Milwaukee. Елементи, чията подмяна не е описана, да се дадат за подмяна в сервиз на Milwaukee (вижте брошурата "Гаранция и адреси на сервиси").

При необходимост можете да поискате схема на елементите на уреда при посочване на обозначение на машината и шестцифрения номер на табелката за технически данни от Вашия сервиз или директно на Techtronic Industries GmbH, Max-Eyth-Straße 10, 71364 Winnenden, Германия.

СИМВОЛИ



ВНИМАНИЕ! ПРЕДУПРЕЖДЕНИЕ!
ОПАСНОСТ



Преди започване на каквито е да е работи по машината извадете акумулатора.



Преди пускане на уреда в действие моля прочетете внимателно инструкцията за използване.



Да се носят предпазни ръкавици!



Да се носи предпазно средство за слуха!



При работа с машината винаги носете предпазни очила.

Да се носи подходяща прахозащитна маска.



Аксесоари - Не се съдържат в обема на доставката, препоръчвано допълнение от програмата за аксесоари.



Електрическите уреди, батерии/акумулаторни батерии не трябва да се изхвърлят заедно с битовите отпадъци.

Електрическите уреди и акумулаторни батерии трябва да се събират отделно и да се предават на службите за рециклиране на отпадъците според изискванията за опазване на околната среда. Информирайте се при местните служби или при местните специализирани търговци относно местата за събиране и центровете за рециклиране на отпадъци.



Европейски знак за съответствие



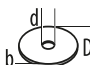
Британски знак за съответствие



Украински знак за съответствие



Евро-азиатски знак за съответствие

DATE TEHNICE	MAȘINA DE DEBITAT	M12 FCOT
Număr producție	4679 85 02... ...000001-999999	
Turație nominală	20000 min ⁻¹	
 D=Discuri de tăiere ø.....	76 mm	
d=ø alezajului	10 mm	
b=Grosimea discului de tăiere min. / max.	1 mm / 3,2 mm	
Adâncime de tăiere.....	16,3 mm	
Lațime de tăiere	min. 1 mm / max. 3,2 mm	
Tensiune acumulator	12 V	
Greutatea conform „EPTA procedure 01/2014” (6,0 Ah)	1,3 kg	
Temperatura ambientă recomandată la efectuarea lucrărilor	-18...+50 °C	
Accumulatori recomandați.....	M12B2...M12B6	
Încărcătoare recomandate.....	C12C,M12C4, M12-18AC,M12-18C, M12-18C3, M12-18FC,...	

Informație privind zgomotul/vibrațiile (tăierea betonului)

Valori măsurate determinate conform EN 60 745.

Valoarea reală A a nivelului presiunii sonore a sculei este :

Nivelul presiunii sonore (Nesiguranță K=3dB(A))..... 105 dB (A)

Nivelul sunetului (Nesiguranță K=3dB(A))..... 94 dB (A)

Purtați căști de protecție

Valorile totale de oscilație (suma vectorială pe trei direcții) determinate conform normei EN 60745.

Valoarea emisiei de oscilații a_{h,sc}..... 2,9 m/s²

Nesiguranță K=..... 1,5 m/s²

AVERTISMENT

Gradul de oscilație indicat în prezentele instrucțiuni a fost măsurat în conformitate cu o procedură de măsurare normată prin norma EN 60745 și poate fi folosit pentru a compara uneltele electrice între ele. El se pretează și pentru o evaluare provizorie a solicitării la oscilații.

Gradul de oscilație indicat reprezintă aplicațiile principale ale uneltele electrice. În cazul în care însă uneltele electrice au fost folosite pentru alte aplicații, ori au fost folosite uneltele de muncă diferite ori acestea nu au fost supuse unei suficiente inspecții de întreținere, gradul de oscilație poate fi diferit. Acest fapt poate duce la o creștere netă a solicitărilor la oscilații dealungul întregii perioade de lucru.

În scopul unei evaluări exacte a solicitării la oscilații, urmează să fie luate în considerație și perioadele de timp în care aparatul a fost oprit ori funcționează dar, în realitate, el nu este folosit în mod practic. Acest fapt poate duce la o reducere netă a solicitărilor la oscilații dealungul întregii perioade de lucru.

Stabiliți măsuri de siguranță suplimentare în scopul protecției utilizatorului de efectele oscilațiilor, de exemplu: inspecție de întreținere a uneltele electrice și a celor de muncă, păstrarea caldă a mâinilor, organizarea proceselor de muncă.

A AVERTIZARE! Citiți toate indicațiile de siguranță și toate instrucțiunile. Nerespectarea indicațiilor de avertizare și a instrucțiunilor poate provoca electrocutare, incendii și/sau răni grave.
Păstrați toate indicațiile de avertizare și instrucțiunile în vederea utilizărilor viitoare.

A INDICAȚII DE SIGURANȚĂ PENTRU TĂIERE CU CIRCULARUL

a) Capota de protecție a sculei electrice trebuie să fie montată corect și reglată astfel încât să se poată atinge un grad de siguranță maxim, adică așa ca din discul abraziv să fie descoperită spre operator o porțiune cât mai mică. Dumneavoastră împreună cu persoanele aflate în apropiere poziționați-vă în afara planului în care se rotește discul abraziv. Capota de protecție apără operatorul de eventuale fragmente desprinse din discul abraziv și de contactul întâmplător cu acesta.

b) Pentru scula electrică utilizați exclusiv numai discuri de retezat cu liant întărite sau cu inserție de diamante. Doar prin faptul că puteți fixa discul pe scula electrică nu este încă garantată utilizarea în siguranță.

c) Numărul de rotații admis pentru elementele de montat în aparat, trebuie să fie la fel de mare ca numărul de rotații înscris pe acesta. O rotire mai rapidă decât cea admisă le poate sparge sau azvîrli din aparat.

d) Corpurile abrazive trebuie folosite numai pentru posibilitățile de utilizare recomandate. De exemplu: nu șlefuiți cu partea laterală a unui disc de tăiere. Discurile de tăiere sunt destinate îndepărtării de material cu marginea

discului. Exercițarea unei forțe laterale asupra acestui corp abraziv poate duce la ruperea sa.

e) Utilizați întotdeauna flanșe pentru așchii nedeteriorate, de dimensiune corectă pentru discul ales de dumneavoastră. Flanșele adecvate sprijină discul și reduc astfel pericolul ruperii acestuia.

f) Nu întrebuințați discuri de șlefuit uzate provenind de la scule electrice mai mari. Discurile de șlefuit pentru sculele electrice mai mari nu sunt concepute pentru turațiile mai ridicate ale sculelor electrice mai mici și se pot rupe.

g) Diametrul exterior și grosimea accesoriului de lucru utilizat trebuie să corespundă dimensiunilor specifice ale aparatului dumneavoastră. Accesoriile de lucru măsurate greșit nu pot fi acoperite sau controlate suficient de bine.

h) Discurile abrazive și flanșa trebuie să se potrivească exact pe axul sculei electrice. Sculele demontabile montate care nu se potrivească exact pe axul sculei electrice se vor roti neuniform, vor vibra foarte puternic și se pot solda cu pierderea controlului.

i) Nu utilizați niciun disc abraziv deteriorat. Înainte de fiecare utilizare verificați dacă nu s-au desprins așchii din discul abraziv și dacă acesta nu este fisurat. Dacă scula electrică sau discul abraziv cad, verificați dacă acestea nu au fost deteriorate sau utilizați un disc abraziv nedeteriorat. După ce ați controlat și montat discul abraziv, atât dumneavoastră și persoanele aflate în preajmă evitați șederea în planul în care se rotește discul abraziv și lăsați aparatul să funcționeze un minut la

viteza maximă. Majoritatea discurilor abrazive deteriorate se vor sparge în acest interval de timp de testare.

j) Purtați echipament personal de protecție. În funcție de utilizare, purtați o protecție completă a feței, protecție pentru ochi sau ochelari de protecție. Dacă este cazul, purtați mască de protecție împotriva prafului, protecție auditivă, mănuși de protecție sau șorț special care să vă ferească de micile așchii și particule de material. Ochiul trebuie protejată de corpurile străine aflate în zbor, apărate în cursul diferitelor aplicații. Măscă de protecție împotriva prafului sau măscă de protecție a respirației trebuie să filtreze praful degajat în timpul utilizării. Dacă sunteți expuși timp îndelungat zgomotului puternic, vă puteți pierde auzul.

k) Alte persoane aflate în preajmă trebuie să mențină o distanță de siguranță față de zona de lucru. Oricine intră în perimetrul de lucru trebuie să poarte îmbrăcăminte de protecție. Bucățiile de material desprinse din piesă sau accesoriile de lucru rupte pot fi proiectate prin aer și pot provoca răniuri chiar și în afara perimetrului de lucru.

l) Țineți aparatul de mânerle izolate când executați lucrări la care scula tăietoare poate nimeri peste conductorii electrici ascunși sau peste cablul propriu. Intrarea în contact a sculei tăietoare cu o linie electrică prin care circulă curent poate pune sub tensiune și componente metalice ale aparatului și să ducă la electrocutare.

m) Țineți cablul de alimentare departe de dispozitivele de lucru care se rotesc. Dacă pierdeți controlul asupra mașinii, cablul de alimentare poate fi tăiat sau prins iar mâna sau brațul dumneavoastră poate nimeri sub dispozitivul de lucru care se rotește.

n) Nu lăsați niciodată aparatul din mână, atât timp cât accesoriul de lucru nu s-a oprit complet. Accesoriul de lucru aflat în rotație poate intra în contact cu suprafața pe care este așezat și astfel puteți pierde controlul asupra aparatului.

o) Nu lăsați scula electrică să funcționeze în timp ce o transportați. În urma unui contact accidental cu dispozitivul de lucru care se rotește, acesta vă poate prinde îmbrăcăminte și chiar puteți intra în corpul dumneavoastră.

p) Curățați regulat fantele de aerisire ale sculei dumneavoastră electrice. Ventilatorul motorului atrage praf în carcasă iar acumularea puternică de pulberi metalice poate provoca pericole electrice.

q) Nu utilizați aparatul în apropierea materialelor inflamabile. Scânteile pot aprinde aceste materiale.

r) Nu utilizați accesorii de lucru care necesită agenți de răcire fluizi. Utilizarea apei sau a altor agenți de răcire fluizi poate provoca scurtcircuitul.

Alte indicații de siguranță pentru aplicațiile de tăiere abrazivă

Reculul și indicații de siguranță corespunzătoare

Reculul este reacția imediată a discului abraziv agățat sau blocat aflat în mișcare de rotație. Agățarea sau blocarea are ca urmare o oprire bruscă a sculei aplicate aflate în mișcare de rotație. Prin aceasta o sculă electrică scăpată de sub control va fi accelerată în sensul opus celui de rotație al discului abraziv în locul de blocare.

Dacă, de exemplu, un disc de șlefuit se agață sau se blochează în piesa de lucru, marginea discului de șlefuit care penetrează direct piesa de lucru se poate agața în aceasta și duce astfel la smulgerea discului de șlefuit sau poate provoca recul. Discul de șlefuit se va deplasa către operator sau în sens opus acestuia, în funcție de direcția de rotație a discului în punctul de blocare. În această situație discurile de șlefuit se pot chiar rupe.

Un recul este consecința utilizării greșite sau defectuoase a sculei electrice. El poate fi împiedicat prin măsuri preventive adecvate, precum cele descrise în continuare.

a) Țineți bine scula electrică și aduceți-vă corpul și brațele într-o poziție în care să puteți controla forțele de recul. Folosiți întotdeauna un mâner suplimentar, în caz că acesta există, pentru a avea un control maxim asupra forțelor de recul sau a momentelor de reacție la turații înalte. Operatorul poate stăpâni forțele de recul și de reacție prin măsuri preventive adecvate.

b) Nu apropiați niciodată mâna de dispozitivele de lucru aflate în mișcare de rotație. În caz de recul dispozitivul de lucru se poate deplasa peste mâna dumneavoastră.

c) Evitați zona din fața sau spatele discului abraziv aflat în rotație. Reculul va deplasa scula electrică în direcția opusă mișcării discului abraziv în locul de blocare.

d) Lucrați extrem de atent în zona colțurilor, muchiilor ascuțite, etc. Împiedicați ricoșarea dispozitivului de lucru de pe piesa de lucru și blocarea acestuia. Dispozitivul de lucru aflat în mișcare de rotație are tendința să se blocheze în colțuri, pe muchii ascuțite sau când ricoșează în urma izbirii. Aceasta duce la pierderea controlului sau la recul.

e) Nu utilizați niciun disc de tăiere cu lanț sau danturat, și niciun disc segmentat cu diamante care are despăcurile mai mari de 10 mm. Asemenea scule aplicate cauzează frecvent un recul sau pierderea controlului asupra sculei electrice.

f) Evitați blocarea discului de tăiere sau o apăsare prea puternică. Nu executați tăieri exagerat de adânci. O supraîncărcare a discului de tăiere mărește solicitarea acestuia și tendința sa de a devia, de a se răsuca în piesa de lucru sau de a se bloca, apărând astfel posibilitatea unui recul sau a ruperii corpului abraziv.

g) Dacă discul de tăiere se blochează sau dacă întrerupeți lucrul, deconectați scula electrică și nu o mișcați până când discul se oprește complet. Nu încercați niciodată să extrageți discul de tăiere din tăietură, altfel se poate produce un recul. Stabiliți și îndepărtați cauza blocării discului.

h) Nu reporniți niciodată scula electrică cât timp aceasta se mai află încă în piesa de lucru. Lăsați discul de tăiere să atingă turația nominală și numai după aceea continuați să tăiați cu precauție. În caz contrar discul se poate agața, sări afară din piesa de lucru sau provoca recul.

i) Sprijiniți plăcile sau piesele de lucru mari pentru a diminua riscul reculului cauzat de blocarea discului de tăiere. Piesele mari se pot încovoia sub propria greutate. De aceea, piesa de lucru trebuie sprijinită pe ambele părți, atât în apropierea liniei de tăiere cât și pe margine.

j) Fiți extrem de atenți în cazul “tăierii de cavități” în pereți deja existenți sau în alte sectoare fără vizibilitate. La penetrarea în sectorul vizat, discul de tăiere poate cauza recul dacă nimereste în conducte de gaz sau de apă, conductorii electrici sau alte obiecte.

INSTRUCȚIUNI SUPLIMENTARE DE SIGURANȚĂ ȘI DE LUCRU

Numărul de rotații admis pentru elementele de montat în aparat, trebuie să fie la fel de mare ca numărul de rotații înscris pe acesta.
O rotire mai rapidă decât cea admisă le poate sparge sau azvîrli din aparat.

Folosiți echipament de protecție. Purtați întotdeauna ochelari de protecție când lucrați cu mașina. Se recomandă utilizarea hainelor de protecție ca de ex. Măști contra prafului, mănuși de protecție, încălțăminte stabilă nealunecoasă, cască și apărătoare de urechi.

AVERTIZARE Pentru a reduce riscul de accidentare în timpul lucrărilor la care se formează o cantitate însemnată de praf vă recomandăm folosirea unei soluții Milwaukee de aspirare a prafului conform instrucțiunilor de utilizare.

Praful care apare când se lucrează cu această sculă poate fi dăunător sănătății și prin urmare nu trebuie să atingă corpul. Purtați o mască de protecție corespunzătoare împotriva prafului.

Nu se admite prelucrarea unui material care poate pune în pericol sănătatea operatorului (de exemplu azbestul).

La blocarea sculei demontabile vă rugăm să deconectați imediat aparatul! Nu conectați aparatul atâta timp cât scula demontabilă este blocată; dacă o faceți, s-ar putea să se producă un recul cu un cuplu mare de reacție. Găsiți și remediați cauza de blocare a sculei demontabile respectând indicațiile pentru siguranță.

Cauzele posibile pot fi:

- Agățarea în piesa de prelucrat
- Străpungerea materialului de prelucrat
- Suprasolicitarea sculei electrice

Nu atingeți părțile mașinii aflate în rotație.

Scula introdusă poate să devină fierbinte în timpul utilizării.

- la schimbarea sculei
- la depunerea aparatului

Când se lucrează pe pereți, tavan sau dușumea, aveți grijă să evitați cablurile electrice și țevile de gaz sau de apă.

Îndepărtați acumulatorul înainte de începerea lucrului pe mașina

Nu aruncați acumulatorii uzați la containerul de reziduri menajere și nu îi ardeți. Milwaukee Distributors se oferă să recupereze acumulatorii vechi pentru protecția mediului înconjurător.

Nu depozitați acumulatorul împreună cu obiecte metalice (risc de scurtcircuit)

Folosiți numai încărcătoare System M12 pentru încărcarea acumulatorilor System M12. Nu folosiți acumulatori din alte sisteme.

Nu deschideți niciodată acumulatorii și încărcătoarele și pastrăți-le numai în încăperi uscate. Pastrăți-le întotdeauna uscate.

Acidul se poate scurge din acumulatorii deteriorați la încălcări sau temperaturi extreme. În caz de contact cu acidul din acumulator, spălați imediat cu apă și săpun. În caz de contact cu ochii, clătiți cu atenție timp de cel puțin 10 minute și apelați imediat la îngrijire medicală.

Avertizare! Pentru a reduce pericolul unui incendiu și evitarea rănilor sau deteriorarea produsului în urma unui scurtcircuit nu imersați scula, acumulatorul de schimb sau încărcătorul în lichide și asigurați-vă să nu pătrundă lichide în aparate și acumulatori. Lichidele corosive sau cu conductibilitate, precum apa sărată, anumite substanțe chimice și înalbitori sau produse ce conțin înalbitori, pot provoca un scurtcircuit.

CONDIȚII DE UTILIZARE SPECIFICATE

Acest instrument de tăiere este destinat a fi utilizat pentru a tăia diferite materiale.

Nu utilizați acest produs în alt mod decât cel stabilit pentru utilizare normală.

Pentru a minimiza riscul de accidentare, utilizați doar discuri diamantate tip 1 cu o grosime maximă de 3,2 mm, care pot fi exploatate în siguranță cu o durată minimă de 20.000 min-1. Discurile de rectificare de tip 1 sunt adecvate pentru rectificarea laterală, nu și plană. Respectați toate indicațiile de siguranță furnizate împreună cu discurile de tăiere.

Utilizați imaginea generală de mai jos pentru selectarea discului de rectificat adecvat. În funcție de material se utilizează discuri de rectificat diferite. Respectați instrucțiunile de utilizare ale producătorului discului de rectificat.

Tip disc	Pentru rectificare
Disc de rectificat cu carbid	Gips-carton, fibrociment, plastic

Discuri de tăiere	Oțel, oțel inox, materiale neferoase
Disc de rectificat diamantat	Plăci ceramice, beton, cărămidă, ceramică

DECLARAȚIE DE CONFORMITATE

Declarăm pe propria răspundere că produsul descris la „Date tehnice” este în concordanță cu toate prevederile legale relevante ale Directivei 2011/65/EU (RoHS), 2014/30/UE, 2006/42/CE și cu următoarele norme armonizate:

EN 60745-1:2009+A11:2010
EN 60745-2-22:2011+A11:2013
EN 55014-1:2017+A11:2020
EN 55014-2:2015
EN IEC 63000:2018

Winnenden, 2020-10-29

Alexander Krug
Managing Director



Împuternicit să elaboreze documentația tehnică.

Techtronic Industries GmbH
Max-Eyth-Straße 10
71364 Winnenden
Germany

ACUMULATORI

Acumulatorii care nu au fost utilizați o perioadă de timp trebuie reîncărcați înainte de utilizare.

Temperatura mai mare de 50°C (122°F) reduce performanța acumulatorului. Evitați expunerea prelungită la căldură sau radiație solară (risc de supraîncălzire)

Contactele încărcătoarelor și acumulatorilor trebuie păstrate curate.

Pentru o durabilitate optimă, acumulatorii trebuie reîncărcați complet după folosire.

Pentru o durată de viață cât mai lungă, acumulatorii ar trebui scoși din încărcător după încărcare.

La depozitarea acumulatorilor mai mult de 30 zile: Acumulatorii se depozitează la cca. 27°C și la loc uscat. Acumulatorii se depozitează la nivelul de încărcare de cca. 30%-50%. Acumulatorii se încarcă din nou la fiecare 6 luni.

PROTEȚIE SUPRAÎNCĂRCARE ACUMULATOR

Bateria de acumuloare este dotată cu o protecție anti-suprasarcină, care protejează acumulatorul împotriva supraîncărcării și îi asigură o durată îndelungată de viață. În cazul unei solicitări extrem de ridicate, sistemul electronic al acumulatorului decuplează mașina în mod automat. Pentru continuarea lucrului, mașina trebuie decuplată și apoi cuplată din nou. Dacă mașina nu pornește, este posibil ca bateria de acumuloare să fie descărcată, trebuind reîncărcată în aparatul de încărcare.

TRANSPORTUL ACUMULATORILOR CU IONI DE LITIU

Acumulatorii cu ioni de litium cad sub incidența prescripțiilor legale pentru transportul de mărfuri periculoase.

Transportul acestor acumulatori trebuie să se efectueze cu respectarea prescripțiilor și reglementărilor pe plan local, național și internațional.

- Consumatorilor le este permis transportul rutier nerestricționat al acestui tip de acumulatori.
- Transportul comercial al acumulatorilor cu ioni de litium prin intermediul firmelor de expediție și transport este supus

reglementărilor transportului de mărfuri periculoase. Pregătirile pentru expediție și transportul au voie să fie efectuate numai de către personal instruit corespunzător. Întregul proces trebuie asistat în mod competent.

Următoarele puncte trebuie avute în vedere la transportul acumulatorilor:

- Pentru a se evita scurtcircuitul, asigurați-vă de faptul că sunt protejate și izolate contactele.
- Aveți grijă ca pachetul de acumulatori să nu poată aluneca în altă poziție în interiorul ambalajului său.
- Este interzis transportarea unor acumulatori deteriorați sau care pierd lichid.

Pentru indicații suplimentare adresați-vă firmei de expediție și transport cu care colaborați.

INTREȚINERE

Fantele de aerisire ale mașinii trebuie să fie menținute libere tot timpul

Asigurați-vă că deconectați unealta de la sursa de alimentare înainte de atașarea sau înlăturarea lamei ferăstrăului.

Curățați aparatul și dispozitivul de protecție cu o lavetă uscată. Unii agenți de curățat deteriorează materialul plastic și alte componente izolate. Păstrați aparatul curat, uscat și ștergeți-l de uleiul și vaselina care s-au scurs. Verificați funcționarea carcaselor de protecție. Întreținerea și curățarea efectuate în mod regulat, asigură o durată de exploatare lungă și o manipulare în condiții de siguranță.

Utilizați numai accesorii și piese de schimb Milwaukee. Dacă unele din componente care nu au fost descrise trebuie înlocuite, vă rugăm contactați unul din agenții de service Milwaukee (vezi lista noastră pentru service / garanție)

Dacă este necesar, puteți solicita de la centrul dvs. de service pentru clienți sau direct la Techtronic Industries GmbH, Max-Eyth-Straße 10, 71364 Winnenden, Germania un desen descompus al aparatului prin indicarea tipului de aparat și a numărului cu șase cifre de pe tablăta indicatoare.

SIMBOLURI

	PERICOL! AVERTIZARE! ATENȚIE!
	Îndepărtați acumulatorul înainte de începerea lucrului pe mașina
	Va rugăm citiți cu atenție instrucțiunile înainte de pornirea mașinii
	Purtați mănuși de protecție!
	Purtați căști de protecție
	Purtați întotdeauna ochelari de protecție când utilizați mașina. Purtați o mască de protecție corespunzătoare împotriva prafului.
	Accesorii - Nu este inclus în echipamentul standard, disponibil ca accesoriu



Aparatele electrice, bateriile/acumulatorii nu se elimină împreună cu deșeurile menajere. Aparatele electrice și acumulatorii se colectează separat și se predau la un centru de reciclare, în vederea eliminării ecologice. Informații-vă de la autoritățile locale sau de la comercianții acreditați în legătură cu centrele de reciclare și de colectare.



Marcă de conformitate europeană




Marcă de conformitate britanică



Marcă de conformitate ucraineană



Marcă de conformitate eurasiatică

Производен број.....	4679 85 02...
Номинална брзина.....	20000 min ⁻¹
	D=Диск за сечење-Ø..... 76 mm d=бушење-Ø..... 10 mm b=Дебелина на плочата за сечење мин. / макс..... 1 mm / 3,2 mm

Длабочина на сечење.....	16,3 mm
Ширина на сечење.....	min. 1 mm / max. 3,2 mm
Волтажа на батеријата.....	12 V
Тежина според ЕПТА-процедурата 01/2014 (6,0 Ah).....	1,3 kg
Препорачана температура на околината при работа.....	-18...+50 °C
Препорачани типови на акумулаторски батерии.....	M12B2...M12B6
Препорачани полначи.....	C12C,M12C4, M12-18AC,M12-18C, M12-18C3, M12-18FC,...

Информација за бучавата/вибрациите (сечење на бетон)
Измерените вредности се одредени согласно стандардот EN 60 745.

Типично очекувано ниво на звучен притисок на алатот е:	
Ниво на звучен притисок. (Несигурност K=3dB(A)).....	105 dB (A)
Ниво на јачина на звук. (Несигурност K=3dB(A)).....	94 dB (A)

Носте штитник за уши.

Вкупни вибрациски вредности (векторски збир на трите насоки) пресметани согласно EN 60745.....	
Вибрациска емисиона вредност a _{h,sc}	2,9 m/s ²
Несигурност K =	1,5 m/s ²

ПРЕДУПРЕДУВАЊЕ

Нивото на осцилација наведено во овие инструкции е измерено во согласност со мерните постапки нормирани во EN 60745 и може да биде употребено за меѓусебна споредба на електро-алати. Ова ниво може да се употреби и за привремена проценка на оптоварувањето на осцилацијата.

Наведеното ниво на осцилација ги репрезентира главните намени на електро-алатот. Но, доколку електро-алатот се употребува за други намени, со отстапувачки додатоци или со несоодветно одржување, нивото на осцилација може да отстапи. Тоа може значително да го зголеми оптоварувањето на осцилацијата за време на целиот работен период.

За прецизна проценка на оптоварувањето на осцилацијата предвид треба да бидат земени и времињата, во коишто апаратот е исклучен или работи, но фактички не се употребува. Тоа може значително да го намали оптоварувањето на осцилацијата за време на целиот работен период.

Утврдете дополнителни безбедносни мерки за заштита на операторот од влијанието на осцилациите, како на пример: одржување на електро-алатот и на додатоци кон електро-алатот, одржување топли раце, организација на работните процеси.

⚠ ВНИМАНИЕ! Прочитајте ги безбедносните напомени и упатства. Заборавање на почитувањето на безбедносните упатства и инструкции можат да предизвикаат електричен удар, пожар и/или тешки повреди.
Сочувајте ги сите безбедносни упатства и инструкции за во иднина.

⚠ НАПОМЕНИ ЗА БЕЗБЕДНОСТ ЗА КРУЖНИ ПИЛИ

- a) Заштитната хауба која што припаѓа кон електричното орудие мора да биде нанесено безбедно и подесено на тој начин, што ќе се постигне највисока мера на безбедност, односно најмалиот дел на делот за брусене да биде отворен према лицето корисник. Вие и лица кои што се наоѓаат во близина држете растојание вон нивото на ротирачкиот диск за брусене. Заштитната хауба треба да ги штити корисниците од откриени парчиња и случаен контакт со брусечкото тело.
- b) Исклучиво употребувајте поврзани засилени или со дијамант обезбедени дискови за делење за Вашето електрично орудие. Самото тоа што можете опремата да ја прицврстите за Вашето електрично орудие не гарантира безбедна употреба.
- c) Бројот на вртежи на алатот, којшто се употребува, мора да биде нај-малку толку висок како и бројот на вртежите на вашиот електро-алат. Додатокот, којшто се врти побрзу, може да се скриша и да излета.

- d) Телата за брусене смеат да се употребуваат само за препорачаните можности за употреба. На пример: никогаш не брусете со страничната површина од диск за делење. Дисковите за делење се наменети за отстранување на материјал со работ на дискот. Дејството на странична сила врз овие тела за брусене може да ги скрши истите.
- e) Секогаш употребувајте исклучиво неоштетени фланшови за затегнување во исправната вечичина за разделната плоча која што е избрана од Вас. Соодветните фланшови ја поттираат разделната плоча и со тоа ја намалуваат опасноста од кршење на разделните плочи.
- f) Не употребувајте искористени дискови за брусене од поголеми електро-алати. Дисковите за брусене за поголеми електро-алати не се погодни за повисоките броеви на вртежи кај помалите електро-алати и можат да се скршат.
- g) Надворешниот пресек и дебелината на орудијата кои што се применуваат мора да соодветствуваат со мерните информации на Вашето електро-орудие. Погрешно измерени орудија за употреба не можат во доволна мерка да бидат заштитени или контролирани.
- h) Дисковите за брусене и фланшовите мора точно да одговараат на вретеното за брусене на Вашето електрично орудие. Орудија во примена кои што не одговараат точно на вретеното за брусене на Вашето електрично орудие, се вртат нерамномерно, многу силно вибрираат и можат да доведат до губење на контролата.

- i) Не употребувајте оштетени дискови за брусене. Пред секоја употреба контролирајте ги дисковите за брусене да не имаат откриени делчиња и пукнатини. Кога електричното орудие или дискот за брусене ќе Ви падне, проверете да не е оштетено или употребете неоштетен диск за брусене. Кога дискот за брусене го имате контролирано и вметнато, Вие и лица кои што се наоѓаат во близина, внимавате да не дојдете на нивото на ротирачкиот диск за брусене и оставете го апаратот да врти со највисок број на вртежи за цела една минута. Дискови за брусене кои што се оштетени за ова време на тестирање обично ќе се скршат.
- j) Носете опрема за лична заштита. Зависно од употребата, користете целосна визуелна заштита, заштита за очите или заштитни очила. Доколку е потребно, носете маска за заштита од прашина, заштита за ушите, заштитни ракавици или специјална престилка, со која се заштитувате од ситни честички од шлајфувањето и од материјалот. Очите треба да бидат заштитени од страни тела што се разлетуваат наоколу, а кои настануваат при различни употреби. Заштитна маска од прашина и за дишење мора да ја филтрираат прашина што се создава при работата. Доколку сте подолго време изложени на гласна бучава, тоа може да предизвика губење на слухот.
- k) Кај други лица обратете внимание на безбедно растојание кон Вашето подрачје на работење. Секој кој што влегува во работното подрачје мора да носи лична заштитна опрема. Делови од парчето кое што се работи или скршено орудие кое што се употребува може да летне и да предизвика повреди и вон директното подрачје на изведување на работите.
- l) Држете го електричниот алат за издадените површини при изведување на операции при кои алатот за сечење можат да дојдат во контакт со скриени жици или сопствениот гајтан. Контакт со жица под напон исто така ќе направи проводници од металните делови и оној кој ракува со алатот ќе доживее струен удар.
- m) Кабелот за напојување со струја чувајте го настрана од прибор што се врти. Доколку ја изгубите контролата над електро-алатот, кабелот за напојување со струја може да се исече или да се закачи и вашата рака или вашата дланка да бидат повлечени во приборот што се врти.
- n) Никогаш не го оставајте електро-орудието ако орудие за применување не е дојдено во потполно мирување. Орудие за примена кое што се врти може да дојде во контакт со подлогата за оставање со што би можеле да ја изгубите контролата врз електро-орудието.
- o) Не оставајте го електро-алатот да работи додека го носите. Вашата облека може да биде закачена преку случаен контакт со приборот што се врти, при што тој може да навлезе во вашето тело.
- p) Редовно чистете го отворот за проветрување на вашиот електро-алат. Вентилаторот на моторот влече прашина во кукиштето, а големо насобирање на метална прашина може да предизвика електрични опасности.
- q) Не го употребувајте електро-орудието во близина на запаливи материјали. Искрите би можеле да ги запалат овие материјали.
- r) Не употребувајте орудија за примена, кои што изскуваат течни средства за ладење. Употребата на вода или други течни средства за ладење може да доведат до електричен удар.

- Понатамошни упатства за безбедност за применувањето на брусенето со делење
- Повратен удар и соодветни напомени за безбедност
- Повратниот удар претставува ненадејна реакција како последица на диск за брусене кој што при вртењето е заглавен или блокиран. Заглавувањето или блокирањето доведува до нагло стопирање на ротирачкото применето орудие. На тој начин неконтролирано електрично орудие се забрзува наспроти правецот на вртење на применетото орудие кај местото на блокирање.
- Доколку, на пример, диск за брусене е заглавен или блокиран во материјалот, работ на дискот за брусене што навлегува во материјалот, може да се закачи и на тој начин да дојде до излегување на дискот или да се предизвика повратен удар. Во такъв случај дискот за брусене се движи или кон операторот или настрана од него, зависно од насоката на вртење на дискот во точката на спојување. Притоа дисковите за брусене можат исто така и да се скршат.
- Повратен удар претставува последица од погрешна или неисправна употреба на електро-алатот. Тој може да биде избегнат со соодветни мерки на претпазливост, како што се опишани подолу.
- a) Држете го електро-алатот цврсто и поставете ги вашето тело и вашите раце во позиција, со која ќе можете да дадете отпор на силите од повратниот удар. Секогаш употребувајте ја додатната рачка, доколку постои, за да можете да имате максимална можна контрола над силите од повратниот удар или на моментите на реакција при пуштање во работа. Операторот може да ги контролира силите на повратниот удар и реакционите сили со преземање соодветни мерки на претпазливост.
- b) Никогаш не поставувајте ја вашата рака во близина на прибор што се врти. Во случај на повратен удар, приборот може да биде исфрлен врз вашата рака.
- c) Избегнувајте го подрачјето пред и позади ротирачкиот диск за делење. Повратниот удар го тера електричното орудие во правец наспроти движењето на дискот за брусене кај местото на блокирање.
- d) Работете особено внимателно кај агли, остри рабови итн. Спечувајте ситуации, во кои приборот се одбива од и заглавува во материјалот за обработка. Кај агли, остри рабови или во случај на одбивање ротирачкиот прибор е склон кон заглавување. Тоа предизвикува губење на контролата или повратен удар.
- e) Не употребувајте ланчест или запчест лист за пилење ниту пак сегментиран дијамантен диск со повеќе од 10 мм широки шлицови. Такви применети орудија често предизвикуваат повратен удар или губење на контролата врз електричното орудие.
- f) Избегнувајте заглавување на дискот за делење или премногу висок контактен притисок. Не изведувајте претерано длабоки заседи. Преоптоварувањето на дискот за делење го зголемува неговиот напор и чувствителноста за извртување или блокирање, а со тоа и на можноста за повратен удар или за кршење на телото за брусене.
- g) Доколку дискот за делење се заглави или доколку прекинете со работа, исклучете го електро-алатот и држете го мирно сè додека дискот не постигне состојба на мирување. Никогаш не обидувајте се, да го извлечете дискот од засекот додека се врти, во спротивно може да дојде до повратен удар. Констатирајте и отстранете ја причината за заглавувањето.
- h) Не вклучувајте го електро-алатот повторно, сè додека истиот не се наоѓа во материјалот за обработка. Дозволете дискот да го достигне целиот број на вртежи, пред внимателно да го продолжите сечењето. Во спротивно дискот може да заглави,

да отскокне од материјалот за обработка или да предизвика повратен удар.

ј) Потпрете ги плочите или големите материјали за обработка, за да го намалите ризикот од повратен удар како резултат на заглавен диск за делење.

Големи материјали за обработка може да свијат како последица на својата тежина. Материјалот за обработка мора да биде потпран на двете страни и тоа како во близина на засекот за делење така и на работ.

к) Бидете особено внимателни при „сечење цебови“ кај ѕидови или во други непредвидливи области. Дискот што навлегува може да предизвика повратен удар при сечење во гасоводи или водоводи, понатаму во електрични водови или други објекти.

ОСТАНАТИ БЕЗБЕДНОСНИ И РАБОТНИ УПАТСТВА

Бројот на вртежи на алатот, којшто се употребува, мора да биде нај-малку толку висок како и бројот на вртежите на вашиот електро-алат. Додатокот, којшто се врти побрзу, може да се скриша и да излети.

Употребувајте заштитна опрема. При работа со машината постојано носете заштитни очила. Се препорачува заштитна облека како: маска за заштита од прашина, заштитни ракавици, цврсти чевли што не се лизгаат, кацига и заштита за уши.

ПРЕДУПРЕДУВАЊЕ За да ја намалите опасноста од повредување при работа со значителна прашина, трепорачуваме употребата на решение за вшмукување на прав од Milwaukee според упатството за работа.

Пршната која се создава при користење на овој алат може да биде штетна по здравјето. Не ја вдишувајте. Носете соодветна заштитна маска.

Не смеат да бидат обработувани материјали кои што можат да го загрозат здравјето (на пр. азбест).

Доколку употребуваното орудие се блокира, молиме веднаш да се исклучи апаратот! Не го вклучувајте апаратот повторно додека употребуваното орудие е блокирано; притоа би можело да дојде до повратен удар со висок момент на реакција. Испитајте и отстранете ја причината за блокирањето на употребеното орудие имајќи ги во предвид напомените за безбедност.

Можни причини би можеле да се:

- Закантување во парчето кое што се обработува
- Кршење поради продирање на материјалот кој што се обработува
- Преоптоварување на електричното орудие

Не фаќајте во машината кога работи.

Употребеното орудие за време на примената може да стане многу жешко.

- при менување на орудие
- при ставање на апаратот на страна

Кога работите на ѕидови, таван или под внимувајте да ги избегнете електричните, гасните и водоводни инсталации.

Извадете го батерискиот склоп пред отпочнување на каков и да е зафат врз машината.

Не ги оставајте искористените батерии во домашниот отпад и не горете ги. Дистрибутерите на Милвоки ги собираат старите батерии, со што ја штитат нашата околина.

Не ги чувајте батериите заедно со метални предмети (ризик од краток спој).

Користете исклучиво Систем M12 за полнење на батерии од M12 систем. Не користете батерии од друг систем.

Не ги отворајте насилно батериите и полначите, и чувајте ги само на суво место. Чувајте ги постојано суви.

Киселината од оштетените батериите може да истече при екстреман напон или температури. Доколку дојдете во контакт со исатата, измијте се веднаш со сапун и вода. Во случај на контакт со очите плакнете ги убаво најмалку 10 минути и задолжително одете на лекар.

Предупредување! За да избегнете опасноста од пожар, од наранувања или од оштетување на производот, коишто ги создава краток спој, не ја потопувајте во течност алатката, заменливата батерија или полначот и пазете во уредите и во батериите да не проникнуваат течности. Корозивни или електроспроволливи течности, како солена вода, одредени хемикалии, избелувачки препарати или производи кои содржат избелувачки супстанции, можат да предизвикаат краток спој.

СПЕЦИФИЦИРАНИ УСЛОВИ НА УПОТРЕБА

Овој пресек е наменет да се користи за намалување на различни материјали.

Не го користете овој производ на било кој друг начин освен пропишаниот за нормална употреба.

За да ја намалите опасноста од повредување, користете само дијамантски брусни тркала од тип 1 со максимална дебелина од 3,2 мм, кои можат безбедно да се користат со минимална брзина од 20.000 вртежи во минута-1. Брусни тркала од тип 1 се погодни само за странично брусење, а не за површинско брусење. Сочувајте ги сите безбедносни упатства испорачани со тркала за пресекување.

Користете ја табелата подолу за да го изберете правилното брусно тркало. Во зависност од материјалот, мора да се користат различни брусни тркала. Почитувајте ги упатствата за работа на производителот на брусното тркало.

Тип на тркалото	За брусење на
Карбидни брусни тркала	гипс картон, влакнест цемент, пластика
Тркала за пресекување	челик, нерѓосувачки челик, материјали кои не содржат железо
Дијамантски брусни тркала	плочки, бетон, цигли, керамика

ЕУ-ДЕКЛАРАЦИЈА ЗА СООБРАЗНОСТ

Во своја сопствена одговорност изјавуваме дека под „Технички податоци“ опишаниот производ е во склад со сите релевантни прописи од регулативата 2011/65/EU (RoHS), 2014/30/EU, 2006/42/EC и следните хармонизирачки нормативни документи:

EN 60745-1:2009+A11:2010
EN 60745-2-22:2011+A11:2013
EN 55014-1:2017+A11:2020
EN 55014-2:2015
EN IEC 63000:2018

Winnenden, 2020-10-29



Alexander Krug
Managing Director



Ополномоштен за составување на техничката документација.

Techtronic Industries GmbH
Max-Eyth-Straße 10
71364 Winnenden
Germany

БАТЕРИИ

Подолг период неупотребувани комплекти батерии да се наполнат пред употреба.

Температура повисока од 50°C (122°F) го намалуваат траењето на батериите. Избегнувајте подолго изложување на батериите на високи температури или сонце (ризик од прегревање).

Клемите на полначот и батериите мора да бидат чисти.

За оптимален работен век, по употреба батериите мора да бидат целосно наполнети.

За можно подолг век на траење, апаратите после нивното полнење треба да бидат извадени од апаратот за полнење на батериите.

Во случај на складирање на батеријата подолго од 30 дена: Акумулаторот да се чува на температура од приближно 27°C и на суво место. Акумулаторот да се складира на приближно 30%-50% од состојбата на наполнетост. Акумулаторот повторно да се наполни на секои 6 месеци.

ЗАШТИТА ОД ПРЕОПТЕРЕТУВАЊЕ НА БАТЕРИЈАТА

Батериското пакување е опремено со заштита од преоптоварување што ја штити батеријата од преоптоварување и обезбедува долг работен век. При екстремно висок степен на употреба, електрониката на батеријата автоматски ја исклучува машината. За да продолжите со работа исклучете ја машината и вклучете ја повторно. Доколку машината не се вклучи повторно, можно е батериското пакување да е испразнето. Тогаш тоа ќе мора да биде наполнето во апаратот за полнење.

ТРАНСПОРТ НА ЛИТИУМ-ЈОНСКИ БАТЕРИИ

Литиум-јонските батерии подлежат на законските одредби за транспорт на опасни материи.

Транспортот на овие батерии мора да се врши согласно локалните, националните и меѓународните прописи и одредби.

- Потрошувачите на овие батерии може да вршат непречен патен транспорт на истите.
- Комерцијалниот транспорт на литиум-јонски батерии од страна на шпедитерски претпријатија подлежатни на одредбите за транспорт на опасни материи. Подготовките за шпедиција и транспорт треба да ги вршат исклучиво соодветно обучени лица. Целокупниот процес треба да биде стручно надгледуван.

При транспортот на батерии треба да се внимава на следното:

- Осигурајте се дека контактите се заштитени и изолирани, а сето тоа со цел да се избегнат кратки споеви.
- Внимавајте да не дојде до изместување на батериите во нивната амбалажа.
- Забранет е транспорт на оштетени или протечени литиум-јонски батерии.

За понатамошни инструкции обратете се до Вашето шпедитерско претпријатие.

ОДРЖУВАЊЕ

Вентилациските отвори на машината мора да бидат комплетно отворени постојано.

Уверете се дека алатката е исклучена од напојување пред да го прикачите или отстраните сечилото.











Апаратот и заштитната направа очистете ја со сува крпа. Некои средства за чистење ја оштетуваат пластиката или други изолирани делови. Одржувајте го апаратот чист и сув како и неизвалкан од истечено масло и масти.

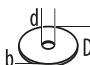
Проверете ја функцијата на заштитните хауби. Редовно одржување и чистење обезбедува долг век и безбедно ракување.

Користете само Milwaukee додатоци и резервни делови. Доколку некои од компонентите кои не се опишани треба да бидат заменети, Ве молиме контактирајте ги сервисните агенти на Milwaukee (консултирајте ја листата на адреси).

При потреба може да се побара експлозионен цртеж на апаратот со наведување на машинскиот тип и шестоцифрениот број на табличката со учинокот или во Вашата корисничка служба или директно кај Techtronic Industries GmbH, Max-Eyth-Straße 10, 71364 Winnenden, Германија.

СИМБОЛИ

	ВНИМАНИЕ! ПРЕДУПРЕДУВАЊЕ! ОПАСНОСТ!
	Извадете го батерискиот склоп пред отпочнување на каков и да е зафат врз машината.
	Ве молиме пред да ја стартувате машината обрнете внимание на упатствата за употреба.
	Носете ракавици!
	Носете штитник за уши.
	Секогаш при користење на машината носете ракавици. Не ја вдишувајте. Носете соодветна заштитна маска.
	Дополнителна опрема - Не е вклучена во стандардната, а достапна е како додаток.
	Електричните апарати и батериите што се полнат не смеат да се фрлат заедно со домашниот отпад. Електричните апарати и батериите треба да се собираат одделно и да се однесат во соодветниот погон заради нивно фрлање во склад со начелата за заштита на околината. Информирајте се кај Вашите местни служби или кај специјализираниот трговски претставник, каде има такви погони за рециклажа и собирни станици.
	Европска ознака за сообразност
	Британска ознака за сообразност
	Украинска ознака за сообразност
	Евроазиска ознака за сообразност

Номер виробу.....	4679 85 02...
.....	...000001-999999
Номінальна кількість обертів	20000 min ⁻¹
 D = ø відрізного диску	76 mm
d = ø отвору	10 mm
b = товщина відрізного диску мін./макс.	1 mm / 3,2 mm
Глибина різання	16,3 mm
Ширина різання	min. 1 mm / max. 3,2 mm
Напруга знімної акумуляторної батареї	12 V
Вага згідно з процедурою ЕРТА 01/2014	1,3 kg
Рекомендована температура довкілля під час роботи	-18...+50 °C
Рекомендовані типи акумуляторів	M12B2...M12B6
Рекомендовані зарядні пристрої	C12C,M12C4, M12-18AC,M12-18C, M12-18C3, M12-18FC,...

Шум / інформація про вібрацію (різка бетону)

Виміряні значення визначені згідно з EN 60 745.	
Рівень шуму "А" приладу становить в типовому випадку:	
Рівень звукового тиску (похибка K = 3 дБ(А)).....	105 dB (A)
Рівень звукової потужності (похибка K = 3 дБ(А)).....	94 dB (A)

Використовувати засоби захисту органів слуху!

Сумарні значення вібрації (векторна сума трьох напрямків), встановлені згідно з EN 60745.	
Значення вібрації a _{n,sg}	2,9 m/s ²
похибка K =	1,5 m/s ²

ПОПЕРЕДЖЕННЯ!

Рівень вібрації, вказаний в цій інструкції, вимірювався згідно з методом вимірювання, нормованим стандартом EN 60745, і може використовуватися для порівняння електроінструментів. Він призначений також для попередньої оцінки навантаження від вібрації.

Вказаний рівень вібрації відповідає основним сферам використання електроінструменту. Але якщо електроінструмент використовується для іншої мети, з іншими вставними інструментами або при недостатньому технічному обслуговуванні, рівень вібрації може бути іншим. Це може значно підвищити навантаження від вібрації за весь період роботи.

Для точної оцінки навантаження від вібрації необхідно також враховувати час, коли прилад вимкнений або увімкнений, але фактично не використовується. Це може значно зменшити навантаження від вібрації за весь період роботи.

Визначте додаткові заходи безпеки для захисту оператора від дії вібрації, наприклад: Технічне обслуговування електроінструменту та вставних інструментів, зігрівання рук, організація робочих процесів.

⚠ ПОПЕРЕДЖЕННЯ! Прочитайте всі вказівки з техніки безпеки та інструкції. Упущення при дотриманні вказівок з техніки безпеки та інструкції можуть призвести до ураження електричним струмом, пожежі та/або тяжких травм.
Зберігайте всі вказівки з техніки безпеки та інструкції на майбутнє.

⚠ ВКАЗІВКИ З ТЕХНІКИ БЕЗПЕКИ ДЛЯ ЦИРКУЛЯРНИХ ПИЛОК

Захисний кожух, яким оснащений електроінструмент, має бути надійно закріплений та відрегульований так, щоб забезпечити максимум безпеки, тобто відкритою у напрямку оператора має бути найменша частина відрізного диску.

Захисний кожух має захищати оператора від часточок матеріалу та випадкового торкання до відрізного диску.

Не використовуйте комплектуючі, які не передбачені або не рекомендовані виробником спеціально для цього електроінструменту.

Той факт, що комплектуючі вдається закріпити в електроінструменті, ще не гарантує їх безпечного використання.

Допустима кількість обертів вставного інструменту має бути не меншою, ніж максимальна кількість обертів, вказана на електроінструменті.

Комплектуючі, що обертаються швидше, ніж дозволено, можуть зламатися і відлетіти.

Шліфувальні інструменти можна використовувати тільки для рекомендованих робіт. Наприклад: Ніколи

не здійснюйте шліфування боковою поверхнею відрізного диска.

Відрізні диски призначені для зняття матеріалу кромкою диска. Прикладання сили збоку до цих шліфувальних інструментів може спричинити їхню поломку.

Завжди використовувати непошкоджені затисні фланці необхідного розміру та форми для вибраного шліфувального диску.

Відповідні фланці створюють опору для відрізного диска та знижують небезпеку поломки відрізного диска.

Не використовувати зношені шліфувальні диски від більшого електроінструмента.

Шліфувальні диски для великих електроінструментів не розраховані на велику кількість обертів менших електроінструментів; вони можуть зламатися.

Зовнішній діаметр та товщина вставного інструмента повинні відповідати даним вашого електроінструмента.

Неправильний розмір вставних інструментів може бути причиною того, що вони недостатньо закриті захисними пристроями або їх важко контролювати.

Шліфувальні диски, шліфувальні вали та інші комплектуючі повинні точно підходити до шліфувального шпинделя або цангового затискача електроінструмента. Вставні інструменти, що не точно підходять до шліфувального шпинделя електроінструменту, обертаються нерівномірно, дуже сильно вібрують та можуть призвести до втрати контролю.

Не використовувати пошкоджені вставні інструменти. Перед кожним використанням перевіряйте вставні інструменти, наприклад, шліфувальні диски, на наявність сколів та тріщин, шліфувальні тарілчасті диски на наявність тріщин, ознаки зносу або сильного стирання, дряпані щітки на наявність незакріплених або поламаних дротів. **Якщо електроінструмент або вставний інструмент впавав, перевірте, чи він не пошкоджений, або використовуйте непошкоджений вставний інструмент.** Якщо ви перевірили та встановили вставний інструмент, вам та особам, які знаходяться поблизу, необхідно триматися поза зоною дії вставного інструменту, що обертається, і нехай електроінструмент одну хвилину працює з максимальною частотою обертів. Пошкоджені вставні інструменти у більшості випадків ламаються під час такого випробування.

Носити індивідуальні засоби захисту. Залежно від виду робіт користуватися маскою для захисту всього обличчя, засобом для захисту очей або захисними окулярами. **Якщо необхідно, одягніть маску для захисту від пилу, засоби захисту органів слуху, захисні рукавиці або спеціальний фартух, який затримає малі частинки від шліфування та часточки матеріалу.** Необхідно захищати очі від часточок та деталей, що можуть відлітати під час різних видів застосувань. Фільтруюча захисна маска або маска для захисту від пилу необхідні для фільтрації пилу, що виникає під час роботи. Якщо на органи слуху тривалий час діє гучний шум, це може призвести до втрати слуху.

Зверніть увагу, що інші особи мають дотримуватися безпечної відстані від вашої робочої області. Кожний, хто входить в робочу область, повинен одягти індивідуальні засоби захисту. Частинки заготовки або уламки вставних інструментів можуть відлітати та спричиняти травми навіть за межами безпосередньої робочої області.

Під час виконання робіт тримайте електроінструмент за ізольовані поверхні рукояток, якщо вставний інструмент може натрапити на приховані електричні лінії або власний мережевий кабель. Контакт з лінією під напругою подає напругу також на металеві деталі електроінструмента та призводить до ураження електричним струмом.

Тримайте мережевий кабель подалі від вставних інструментів, які обертаються. Якщо ви втратите контроль над електроінструментом, він може розрізати або захопити мережевий кабель, або ваші руки потраплять під вставний інструмент, який обертається.

Ніколи не кладіть електроінструмент, доки вставний інструмент не зупиниться повністю. Вставний інструмент, який обертається, може зіткнутися із поверхнею стійки, що може призвести до втрати контролю над електроінструментом.

Через випадкове торкання вставний інструмент, який обертається, може зачепити ваш одяг, а також врізатися в тіло.

Регулярно чистити вентиляційні отвори електроінструменту. Вентилятор двигуна втягує в корпус пил, велике скупчення металевого пилу може призводити до небезпеки, пов'язаної з електричними приладами.

Не користуйтеся електроінструментом поблизу горючих матеріалів.

Іскри можуть призвести до займання матеріалів.

Не використовувати вставні інструменти, які вимагають рідких засобів для охолодження. Використання води або інших рідких охолоджувальних засобів може призвести до ураження електричним струмом.

Подальші особливі вказівки з техніки безпеки для відрізного шліфування:

Віддача та відповідні вказівки з техніки безпеки

Віддача - це раптова реакція внаслідок заклинювання або блокування вставного інструмента, який обертається. Заклинювання або блокування веде до раптової зупинки вставного інструмента, який обертається. Внаслідок цього неконтрольований електроінструмент отримує прискорення в напрямку, протилежному напрямку обертання вставного інструмента в точці блокування.

Коли, наприклад, шліфувальний диск заклинюється або блокується в заготовці, край шліфувального диска, який занурений в заготовку, може зачепитися і зірвати шліфувальний диск або спричинити віддачу. Шліфувальний диск після цього рухається в напрямку до оператора або від нього, залежно від напрямку обертання диска в точці блокування. Шліфувальні диски можуть в цьому випадку також зламатися.

Віддача є наслідком неправильного або помилкового використання пилки. Її можна попередити відповідними запобіжними заходами, як описано нижче.

Міцно тримати електроінструмент, тіло та руки мають бути в такому положенні, при якому вони можуть компенсувати сили віддачі. Завжди використовувати додаткову рукоятку, якщо вона є, щоб в максимальній мірі контролювати сили віддачі або зворотні моменти при розгоні. Користувач може відповідними запобіжними заходами управляти віддачею та зворотними силами.

Ніколи не наближати руки до вставних інструментів, які обертаються.

Вставний інструмент може при віддачі вирватися з рук.

Триматися за межамі ділянки, куди рухається електроінструмент при віддачі.

Віддача спрямовує електроінструмент в напрямку, протилежному напрямку руху шліфувального диска в місці блокування.

Особливо обережно слід працювати на ділянках кутів, гострих кромок та ін. Запобігати відскакуванню від заготовки та заклинюванню вставних інструментів.

Вставний інструмент, який обертається, може заклинюватися на кутах, гострих кромках або при відскоках. Це призводить до втрати контролю та до віддачі.

Не використовувати ланцюгове або зубчасте пилкове полотно.

Такі вставні інструменти часто спричиняють віддачу або втрату контролю над електроінструментом.

Уникати блокування відрізного диска або занадто сильного притискання. Не виконувати занадто глибокі розрізи. Перевантаження відрізного диска підвищує ризик утворення внутрішнього напруження та схильності до перекосу або блокування, які в свою чергу призводять до віддачі або поломки шліфувального інструменту.

Якщо відрізний диск заклинюється або ви перериваєте роботу, вимкніть електроінструмент та тримайте його спокійно, доки диск не зупиниться. Ніколи не намагайтеся витягнути відрізний диск з розрізу, доки він обертається, інакше може статися віддача.

Визначити та усунути причину заклинювання.

Не вмикати повторно електроінструмент, доки він знаходиться в заготовці. Відрізний диск має спочатку досягти повної кількості обертів, перш ніж обережно продовжувати різання. Інакше диск може застрягнути, вийти з заготовки або спричинити віддачу.

Під плити або великі заготовки необхідно ставити опори, щоб зменшити ризик віддачі через заклинювання відрізного диска. Великі заготовки можуть прогинатися під власною вагою. Заготовка

повинна мати опору з обох боків, поблизу розрізу та на краю.

Будьте особливо обережні при виконанні "кишень" в змонтованих стінах або на інших ділянках з поганим оглядом. Занурювальний відрізний диск може спричинити віддачу при різанні газових та водяних трубопроводів або електричних ліній чи інших об'єктів.

ДОДАТКОВІ ІНСТРУКЦІЇ З ТЕХНІКИ БЕЗПЕКИ ТА ЕКСПЛУАТАЦІЇ

Допустима кількість обертів вставного інструменту має бути не меншою, ніж максимальна кількість обертів, вказана на електроінструменті. Комплектуючі, що обертаються швидше, ніж дозволено, можуть зламатися і відлетіти.

Використовуйте індивідуальні засоби захисту. Під час роботи з машиною завжди носіть захисні окуляри. Радимо використовувати захисний одяг, як наприклад маску для захисту від пилу, захисні рукавиці, міцне та нековзане взуття, каску та засоби захисту органів слуху.

ПОПЕРЕДЖЕННЯ Для мінімізації ризиків при роботах з утворенням великої кількості пилу рекомендуємо використовувати пристрій для відсмоктування пилу Milwaukee згідно з інструкцією з експлуатації.

Пил, що утворюється під час роботи, часто буває шкідливим для здоров'я; він не повинен потрапляти в організм. Носити відповідну маску для захисту від пилу.

Не можна обробляти матеріали, небезпечні для здоров'я (наприклад, азбест).

При блокуванні вставного інструменту негайно вимкнути прилад! Не вмикайте прилад, якщо вставний інструмент заблокований; при цьому може виникнути віддача з високим зворотнім моментом. Визначити та усунути причину блокування вставного інструменту з урахуванням вказівок з техніки безпеки.

Можливі причини:

- Перекіс в заготовці, що обробляється
- Пробивання оброблюваного матеріалу
- Перевантаження електроінструмента

Частина тіла не повинні потрапляти в машину, коли вона працює.

Вставний інструмент може нагрітися під час роботи.

- при заміні інструменту
- при відкладанні приладу

Під час роботи на стінах, стелях або підлозі звертайте увагу на електричні кабелі, газові та водопровідні лінії.

Перед будь-якими роботами на машині вийняти змінну акумуляторну батарею

Відпрацьовані знімні акумуляторні батареї не можна кидати у вогонь або викидати з побутовими відходами. Milwaukee пропонує утилізацію старих знімних акумуляторних батарей, безпечно для довкілля; зверніться до свого дилера.

Не зберігати знімні акумуляторні батареї разом з металевими предметами (небезпека короткого замикання).

Знімні акумуляторні батареї системи M12 заряджати лише зарядними пристроями системи M12. Не заряджати акумуляторні батареї інших систем.

Не відкривати знімні акумуляторні батареї і зарядні пристрої та зберігати їх лише в сухих приміщеннях. Берегти від волого.

При екстремальному навантаженні або при екстремальній температурі з пошкодженою змінною акумуляторної батареї може витікати електроліт. При потрапленні електроліту на шкіру його негайно необхідно змити водою з милом. При потрапленні в очі їх необхідно негайно ретельно промити, щонайменше 10 хвилин, та негайно звернутися до лікаря.

Попередження! Для запобігання небезпеці пожежі в результаті короткого замикання, травмат і пошкодженню виробів не занурюйте інструмент, змінний акумулятор або зарядний пристрій у рідину і не допускайте потрапляння рідини всередину пристроїв або акумуляторів. Корозійні і струмопровідні рідини, такі як солоний розчин, певні хімікати, вибілювальні засоби або продукти, що їх містять, можуть призвести до короткого замикання.

ВИКОРИСТАННЯ ЗА ПРИЗНАЧЕННЯМ

Цей відрізний інструмент призначений для обробки різних матеріалів.

Цей прилад можна використовувати тільки за призначенням так, як вказано в цьому документі.

Щоб звести до мінімуму ризик травми, використовуйте тільки діамантові шліфувальні диски типу 1 з максимальною товщиною 3,2 мм, які можна безпечно експлуатувати при мінімальній швидкості 20 000-1 об/хв. Шліфувальні диски типу 1 придатні лише для бічного шліфування, не для плоского шліфування. Дотримуйтеся усіх інструкцій з техніки безпеки, наданих до відрізного шліфувального диска.

Скористайтеся оглядом нижче, щоб вибрати правильний шліфувальний диск. Залежно від матеріалу слід використовувати різні шліфувальні диски. Дотримуйтеся інструкцій з експлуатації виробника шліфувального диска.

Тип диска	Шліфування
Карбідний шліфувальний диск	Гіпсокартон, волокнистий цемент, пластик
Відрізнi диски	Сталь, нержавіюча сталь, матеріали, що не містять залізо
Діамантові шліфувальні диски	Плитка, бетон, цегла, кераміка

СЕРТИФІКАТ ВІДПОВІДНОСТІ ВИМОГАМ ЄС

Ми заявляємо на власну відповідальність, що виріб, описаний в "Технічних даних", відповідає всім застосовним положенням директиви 2011/65/EU (RoHS), 2014/30/EU, 2006/42/EG, та наступним гармонізованим нормативним документам:

EN 60745-1:2009+A11:2010
EN 60745-2-22:2011+A11:2013
EN 55014-1:2017+A11:2020
EN 55014-2:2015
EN IEC 63000:2018

Winnenden, 2020-10-29

Alexander Krug
Managing Director



Уповноважений із складання технічної документації.

Techtronic Industries GmbH
Max-Eyth-Straße 10
71364 Winnenden
Germany

АКУМУЛЯТОРНІ БАТАРЕЇ

Знімну акумуляторну батарею, що не використовувалася тривалий час, перед використанням необхідно підзарядити.

Температура понад 50 °C зменшує потужність знімної акумуляторної батареї. Уникати тривалого нагрівання сонячними променями або системною обігріву.

З'єднувальні контакти зарядного пристрою та знімної акумуляторної батареї повинні бути чистими.

Для забезпечення оптимального строку експлуатації акумуляторні батареї після використання необхідно повністю зарядити.

Для забезпечення максимального можливого терміну експлуатації акумуляторні батареї після зарядки необхідно виймати з зарядного пристрою.

При зберіганні акумуляторної батареї понад 30 днів: Зберігати акумуляторну батарею при температурі приблизно 27 °C в сухому місці.

Зберігати акумуляторну батарею в стані зарядки приблизно 30-50 %. Кожні 6 місяців заново заряджати акумуляторну батарею.

ЗАХИСТ АКУМУЛЯТОРНОЇ БАТАРЕЇ ВІД ПЕРЕВАНТАЖЕННЯ

Акумуляторний блок оснащений захистом від перевантаження, який захищає акумуляторну батарею від перевантаження і забезпечує тривалий термін експлуатації.

При надзвичайно великих навантаженнях робоча лампочка блимає, що свідчить про перевантаження. Якщо навантаження не зменшується, машина автоматично вимикається. Для продовження роботи вимкнути і знов увімкнути машину. Якщо машина не вмикається, можливо, розряджений акумуляторний блок, його необхідно знову зарядити в зарядному пристрої.

ТРАНСПОРТУВАННЯ ЛІТІЙ-ІОННИХ АКУМУЛЯТОРНИХ БАТАРЕЙ

Літій-іонні акумуляторні батареї підпадають під заборону перевезення про перевезення небезпечних вантажів.

Транспортування таких акумуляторних батарей повинно відбуватися із дотриманням місцевих, національних та міжнародних приписів та положень.

- споживачі можуть без проблем транспортувати ці акумуляторні батареї по вулиці.

• Комерційне транспортування літій-іонних акумуляторних батарей експедиторськими компаніями підпадає під положення про транспортування небезпечних вантажів. Підготовку до відправлення та транспортування можуть здійснювати виключно особи, які пройшли відповідне навчання. Весь процес повинні контролювати кваліфіковані фахівці.

При транспортуванні акумуляторних батарей необхідно дотримуватись зазначених далі пунктів:

- Переконайтеся в тому, що контакти захищені та ізольовані, щоб запобігти короткому замиканню.
- Слідкуйте за тим, щоб акумуляторна батарея не переміщувалася всередині упаковки.
- Пошкоджені акумуляторні батареї, або акумуляторні батареї, що потекли, не можна транспортувати. Для отримання подальших вказівок звертайтеся до своєї експедиторської компанії.

ОБСЛУГОВУВАННЯ

Завжди підтримувати чистоту вентиляційних отворів.

Переконайтеся в тому, що прилад від'єднаний від джерела живлення, перш ніж встановлювати або знімати пилковий диск.

Чистити прилад та захисний пристрій сухою серветкою. Деякі засоби для чищення завдають шкоду полімерному матеріалу або іншим ізольованим деталям. Тримати прилад в чистоту та сухому стані, з нього не повинні витікати олива або мастило. Перевірте функціонування

захисних кожухів. Регулярне технічне обслуговування та чищення забезпечують тривалий термін експлуатації та безпечну роботу.

Використовувати комплектуючі та запчастини тільки від Milwaukee. Деталі, заміна яких не описується, замінювати тільки в відділі обслуговування клієнтів Milwaukee (зверніть увагу на брошуру "Гарантія / адреси сервісних центрів").

У разі необхідності можна запросити креслення з зображенням вузлів машини в перспективному вигляді, для цього потрібно звернутися в ваш відділ обслуговування клієнтів або безпосередньо в Techtronic Industries GmbH, Max-Eyth-Straße 10, 71364 Winnenden, Німеччина, та вказати тип машини та шестизначний номер на фірмовій табличці з даними машини.

СИМВОЛИ



УВАГА! ПОПЕРЕДЖЕННЯ! НЕБЕЗПЕЧНО!



Перед будь-якими роботами на машині вийняти змінну акумуляторну батарею



Уважно прочитайте інструкцію з експлуатації перед введенням приладу в дію.



Носити захисні рукавиці!



Використовувати засоби захисту органів слуху!



Під час роботи з машиною завжди носити захисні окуляри.



Носити відповідну маску для захисту від пилу.



Комплектуючі - не входять в обсяг постачання, рекомендовані доповнення з програми комплектуючих.



Електроприлади, батареї/акумулятори заборонено утилізувати разом з побутовим сміттям. Електричні прилади і акумулятори слід збирати окремо і здавати в спеціалізовану компанію для утилізації відповідно до норм охорони довкілля. Зверніться до місцевих органів або до вашого дилера, щоб отримати адреси пунктів вторинної переробки та пунктів прийому.



Європейський знак відповідності



Британський знак відповідності



Український знак відповідності



Євразійський знак відповідності

البطاريات

يجب إعادة شحن البطارية غير المستخدمة لفترة قبل الاستخدام.
تقلل درجات الحرارة التي تتجاوز 50° سيلزيوس (122° فهرنهايت) من أداء البطارية. تجنب التعرض الزائد للحرارة أو أشعة الشمس (خطر التسخين)..
يجب الحفاظ على محتويات الشواحن و البطاريات نظيفة.
للحصول على فترة استخدام مثالية، يجب شحن البطاريات تماماً، بعد الاستخدام.
للحصول على أطول عمر ممكن للبطارية، انزع البطارية من الشاحن بمجرد شحنها تماماً.
لتخزين البطارية أكثر من 30 يوم:
خزن البطارية بحيث تكون درجة الحرارة أقل من 27° سيلزيوس وبعيدا عن أي رطوبة
خزن البطارية مشحونة بنسبة تتراوح بين 30-50 %
اشحن البطارية كالمعتاد، وذلك كل سنة أشهر من التخزين.

حماية البطارية

البطارية مزودة بالية للحماية من الحمل الزائد لحمايتها من الحمل الزائد ما يساعد على طول عمرها.
وعند الضغط الزائد، تسمى أضواء العمل لكي تشير إلى وجود حمل زائد. وإذا لم يتم تخفيف الحمل، سوف تتوقف الآلة عن العمل تلقائياً. لإعادة التشغيل ثانية، قم بإيقاف الجهاز ثم تشغيله مجدداً. إذا لم يبدأ تشغيل الجهاز من جديد، فقد يعني هذا أن شحن البطارية قد نفذ تماماً. في هذه الحالة يجب إعادة شحنها بشاحن البطارية.

نقل بطاريات الليثيوم

تخضع بطاريات الليثيوم أيون لشروط قوانين نقل السلع الخطرة.
ويجب نقل هذه البطاريات وفقاً للأحكام والقوانين المحلية والوطنية والدولية.
• يمكن للمستخدم نقل البطاريات برأ دون الخضوع لشروط أخرى.
• يخضع النقل التجاري لبطاريات الليثيوم أيون عن طريق الغير إلى قوانين نقل السلع الخطرة. يتعين أن يقوم أفراد مدربون جيداً بالأعداد لعملية النقل والقيام بها بصحة خيرا مثلهم.

متى تُنقل البطاريات:

- عند التأكد من حماية أطراف توصيل البطارية و عزلها تجنباً لحدوث قصر بالدائرة.
- عند التأكد من حماية حزمة البطارية من الحركة داخل صندوق التعبئة.
- يُرجى عدم نقل البطاريات التي بها تشققات أو تسربات.

يُرجى البحث مع شركة الشحن عن نصيحة أخرى

الصيانة

يجب أن تكون فتحات تهوية الجهاز نظيفة طوال الوقت.
تأكد من فصل الأداة من مزود الطاقة قبل تركيب أو إزالة شفرة المنشار.
نظف الجهاز وحاجب الحماية بقطعة جافة. بعض مواد التنظيف تؤدي إلى ضرر بالبلاستيك أو الأجزاء المعزولة. حافظ على الجهاز نظيفاً جافاً وخالي من الزيوت والشحوم الخارجة. افحص أداء حاجب الحماية. الصيانة الدورية المنتظمة والتنظيف يضمنان العمر الطويل والاستخدام الآمن للجهاز.
استخدم ملحقات Milwaukee وقطع الغيار التابعة لها فقط. إذا كانت المكونات التي يجب تغييرها غير مذكورة، يرجى الاتصال بأحد عملاء صيانة Milwaukee (انظر قائمة عناوين الضمان/الصيانة الخاصة بنا).

عند الحاجة يمكن طلب رمز انفجار الجهاز بعد ذكر طراز الآلة والرقم السداسي المذكور على بطاقة طاقة الآلة لدى جهة خدمة العملاء أو مباشرة لدى شركة
Techtronic Industries GmbH
Max-Eyth-Straße 10
Winnenden 71364
ألمانيا

زومرلا

تنبيه! تحذير! خطر!



قم بإزالة حزمة البطارية قبل البدء في أي أعمال على الجهاز.



يرجى قراءة التعليمات بعناية قبل بدء تشغيل الجهاز.



ارتد القفازات!



ارتد واقيات الأذن!



ارتد دائماً نظارات الواقية عند استخدام الجهاز.
لا تستنشق هذه الأتربة. ارتد قناعاً واقيًا من الأتربة مناسباً.



الملحق - ليس مدرجاً كمعدة قياسية، متوفر كملحق.



يحظر التخلص من الأجهزة الكهربائية والبطاريات/البطاريات القابلة للشحن في القمامة المنزلية. يجب جمع الأجهزة الكهربائية والبطاريات القابلة للشحن منفصلة وتسليمها للتخلص منها بشكل لا يضر بالبيئة لدى شركة إعادة استغلال.

الرجاء الاستفسار لدى الهيئات المحلية أو لدى التجار المتخصصين عن مواقع إعادة الاستغلال ومواقع الجمع.

علامة التوافق الأوروبية



علامة التوافق البريطانية



علامة التوافق الأوكرانية



علامة التوافق الأوروبية الأسيوية



Copyright 2020

Techtronic Industries GmbH
Max-Eyth-Str. 10
71364 Winnenden
Germany

+49 (0) 7195-12-0

www.milwaukeeetool.eu

Techtronic Industries (UK) Ltd
Fieldhouse Lane
Marlow Bucks SL7 1HZ
UK



**EAC UK
CA**

(12.20)

4931 4700 32