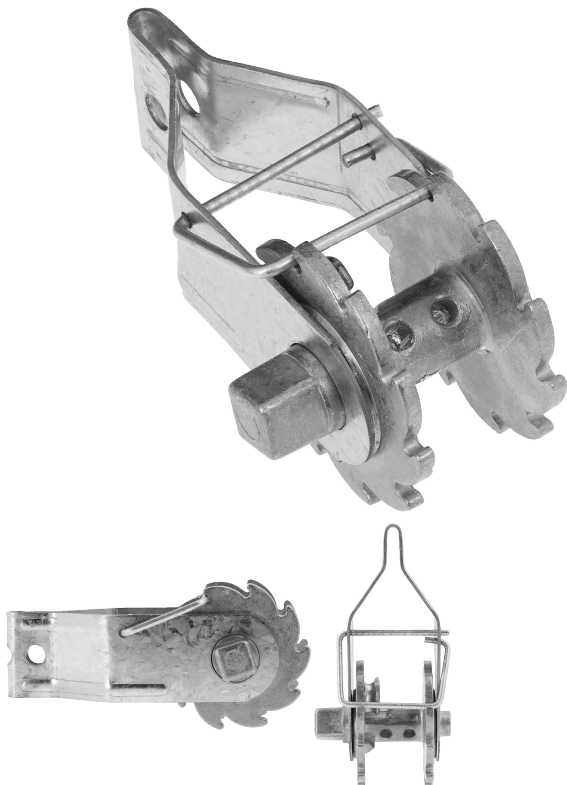


## Ratchet strainer 4 mm 10 teeth galvanised steel



### Characteristics

Length (mm): **124**

Width (mm): **63**

## GENERAL INFORMATION

### Description

Wire fence tensioner.

### Technical details

Spool: Die cast aluminum.

Body: Hot dip galvanized steel.

10 teeth spool.

Maximum cable Ø (mm): 4.

### Advices

Used with a tensioning tool.

### Application(s)

Ideal for installation and reparation of fences.

Used to maintain and apply the correct tension on the wire.

**LOGISTIC INFORMATION**

**Packaging**



**No packaging**

Height (cm) : 5,5  
 Length (cm) : 12,5  
 Depth (cm) : 6,5  
 Net weight (kg) : 0,175  
 Gross weight (kg) : 0,175



**Outer package 1**



**Carton box**

Height (cm) : 27,5  
 Length (cm) : 27  
 Depth (cm) : 25  
 Net weight (kg) : 8,75  
 Gross weight (kg) : 9,25



x 50.00

**Outer package 2**



**Pallet**

Height (cm) : 120  
 Length (cm) : 120  
 Depth (cm) : 80  
 Net weight (kg) : 420  
 Gross weight (kg) : 454



x 2400.00