

Milwaukee®

Nothing but **HEAVY DUTY**.®



M18 BLTRC

Original instructions
Originalbetriebsanleitung
Notice originale
Istruzioni originali
Manual original
Manual original
Oorspronkelijke
gebruiksaanwijzing
Original brugsanvisning
Original bruksanvisning
Bruksanvisning i original

Alkuperäiset ohjeet
Πρωτότυπο οδηγίων χρήσης
Orijinal işletme talimatı
Původním návodem k používání
Původní návod na použití
Instrukcją oryginalną
Eredeti használati utasítás
Izvirna navodila
Originalne pogonske upute
Instrukcijām oriēnālvadā
Originali instrukcija

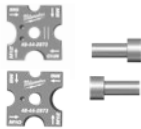
Algupärane kasutusjuhend
Оригинальное руководство
по эксплуатации
Оригинално ръководство за
експлоатация
Instrucțiuni de folosire originale
Оригинален прирачник за
работа
Оригінал інструкції з
експлуатації
التعليمات الأصلية

Technical Data, Safety Instructions, Specified Conditions of Use, Declaration of Conformity, Batteries, Maintenance, Symbols	Please read and save these instructions!	English	10
Technische Daten, Sicherheitshinweise, Bestimmungsgemäße Verwendung, CE-Konformitätserklärung, Akku, Wartung, Symbole	Bitte lesen und aufbewahren!	Deutsch	14
Caractéristiques techniques, Instructions de sécurité, Utilisation conforme aux prescriptions, Déclaration CE de Conformité, Accus, Entretien, Symboles	A lire et à conserver soigneusement	Français	18
Dati tecnici, Norme di sicurezza, Utilizzo conforme, Dichiarazione di Conformità CE, Batterie, Manutenzione, Simboli	Si prega di leggere e conservare le istruzioni!	Italiano	22
Datos técnicos, Instrucciones de seguridad, Aplicación de acuerdo a la finalidad, Declaración de Conformidad CE, Batería, Mantenimiento, Símbolos	Lea y conserve estas instrucciones por favor!	Español	26
Características técnicas, Instruções de segurança, Utilização autorizada, Declaração de Conformidade CE, Acumulador, Manutenção, Símbolo	Por favor leia e conserve em seu poder!	Português	30
Technische gegevens, Veiligheidsadviezen, Voorgeschreven gebruik van het systeem, EC-Konformiteitsverklaring, Akku, Onderhoud, Symbolen	Lees en let goed op deze adviezen!	Nederlands	34
Tekniske data, Sikkerhedshenvisninger, Tiltænkent formål, CE-Konformitetserklæring, Batteri, Vedligeholdelse, Symboler	Vær venlig at læse og opbevare!	Dansk	38
Tekniske data, Spesielle sikkerhedshenvisninger, Formålsmessig bruk, CE-Samsvarserklæring, Batterier, Vedlikehold, Symboler	Vennligst les og oppbevar!	Norsk	42
Tekniska data, Säkerhetsutrustning, Använd maskinen Enligt anvisningarna, CEFörsäkran, Batterier, Skötsel, Symboler	Läs igenom och spara!	Svenska	46
Tekniset arvot, Turvallisuusohejeet, Tarkoituksenmukainen käyttö, Todistus CE-standardinmukaisuudesta, Akku, Huolto, Symbolit	Lue ja säilytä!	Suomi	50
Τεχνικά στοιχεία, Ειδικές υποδείξεις ασφαλείας, Χρήση σύμφωνα με το σκοπό προοριζομένου, Δήλωση πιστότητας ΕΚ, Μπαταρίες, Συντήρηση, Σύμβολα.	Παρακαλούμε να τις διαβάσετε και να τις φυλάξετε!	Ελληνικά	54
Teknik veriler, Güvenliğinizi için talimatlar, Kullanım, CE uygunluk beyanice, Akü, Bakım, Semboller	Lütfen okuyun ve saklayın	Türkçe	58
Technická data, Speciální bezpečnostní upozornění, Oblast využití, Ce-prohlášení o shodě, Akumulátory, Údržba, Symboly	Po přečtení uschovejte	Česky	62
Technické údaje, Špeciálne bezpečnostné pokyny, Použitie podľa predpisov, CE-Vyhľadanie konformity, Akumulátory, Údržba, Symboly	Prosím prečítať a uschovať!	Slovensky	66
Dane techniczne, Specjalne zalecenia dotyczące bezpieczeństwa, Użytkowanie zgodne z przeznaczeniem, Świadcstwo zgodności ce, Baterie Akumulatorowe, Utrzymanie, Symbole	Należy uważnie przeczytać i zachować do wglądu!	Polski	70
Műszaki adatok, Különleges biztonsági tudnivalók, Rendeltetésszerű használat, Ce-azonossági nyilatkozat, Akuk, Karbantartás, Szimbólumok	Olvassa el és őrizze meg	Magyar	74
Tehnični podatki, Specialni varnostni napotki, Uporaba v skladu z namembnostjo, Ce-izjava o konformnosti, Akumulatorji, Vzdrževanje, Simboli	Prosimo preberite in shranite!	Slovenščina	78
Tehnički podaci, Specijalne sigurnosne upute, Propisna upotreba, Ce-Izjava konformnosti, Baterije, Održavanje, Simboli	Molimo pročitati i sačuvati	Hrvatski	82
Tehniskie dati, Speciālie drošības noteikumi, Noteikumiem atbilstošs izmantojums, Atbilstība CE normām, Akumulātori, Apkope, Simboli	Lūdzu, izlasīt un uzglabāt!	Latviski	86
Techniniai duomenys, Ypatings saugumo nuorodos, Naudojimas pagal paskirti, CE Atitikties pareiskimas, Akumuliatoriai, Techninis aptarnavimas, Simboliai	Prašome perskaityti ir neišmesti!	Lietuviškai	90
Tehnilised andmed, Spetsiaalsed turvajuhised, Kasutamine vastavalt otstarbele, EÜ Vastavusavaldus, Akud, Hooldus, Sümbolid	Palun lugege läbi ja hoidke alal!	Eesti	94
Технические данные, Указания по безопасности, Использование, Декларация о соответствии стандартам ЕС, Аккумулятор, Обслуживание, Символы	Пожалуйста прочтите и сохраните эту инструкцию.	Русский	98
Технически данни, Специални указания за безопасност, Използване по предназначение, CE - Декларация за съответствие, Аккумулятори, Поддръжка, Символи	Моля прочетете и запазете!	Български	103
Date tehnice, Instrucțiuni de securitate, Condiții de utilizare specificate, Declarație de conformitate, Acumulatori, Intreținere, Simboluri	Va rugăm citiți și păstrați aceste instrucțiuni	Română	107
Технички податоци, Упатства за употреба, Специфицирани услови на употреба, ЕУ- декларација за Сообразност, Батерии, Одржување, Символи	Ве молиме прочитајте го и чувајте го ова упатство!	Македонски	111
Технічні характеристики, Вказівки з Техніки Безпеки, Використання за призначенням, Сертифікат Відповідності Вимогам ЄС, Акумуляторні батареї, Обслуговування, Символи	Прочитайте та збережіть цю інструкцію.	Українська	115
البيانات الفنية، تعليمات السلامة، شروط الاستخدام المحددة، البطاريات، إعلان المطابقة - الاتحاد الأوروبي، الصيانة، الرموز	يرجى قراءة وحفظ هذه التعليمات!	العربية	122



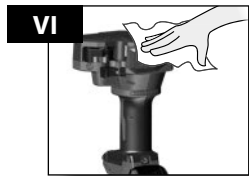
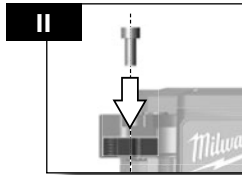
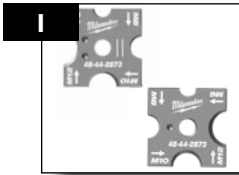


2



3





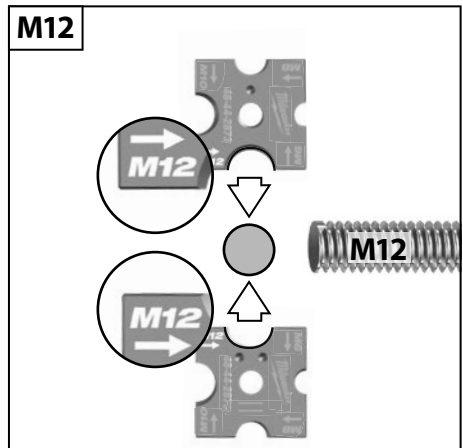
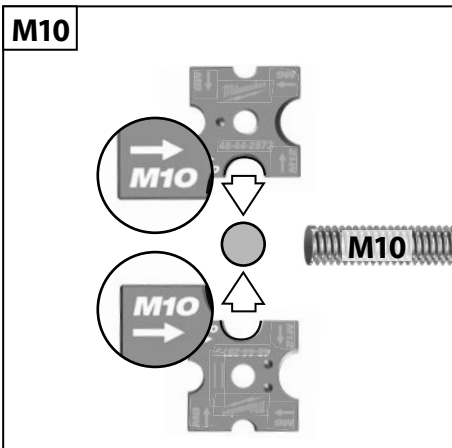
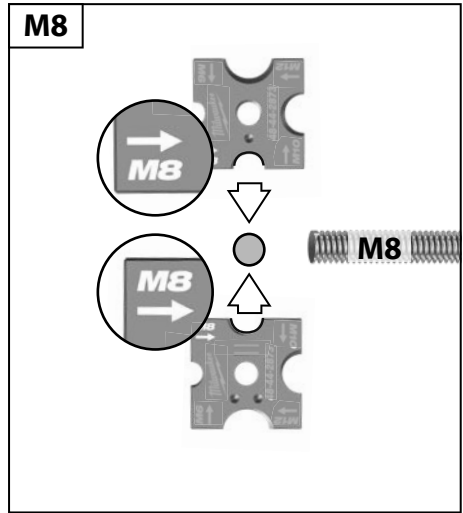
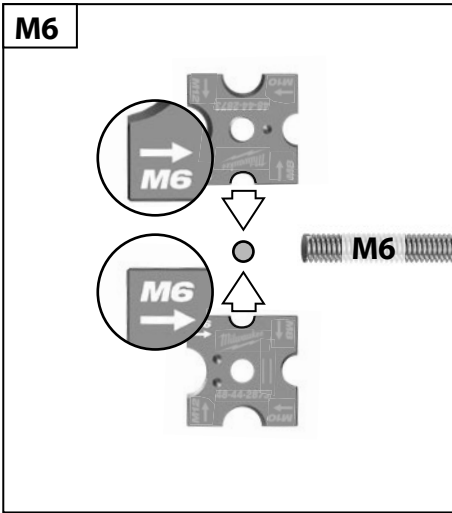
VII

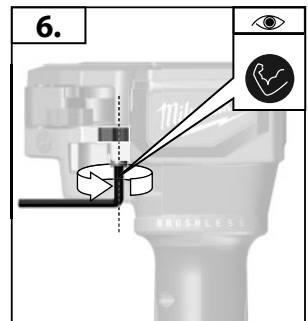
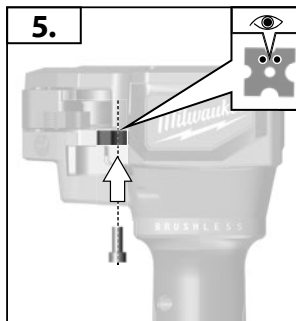
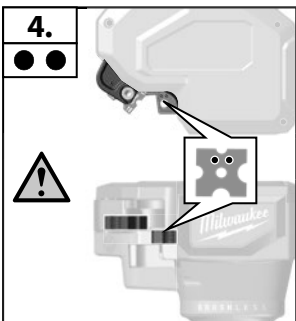
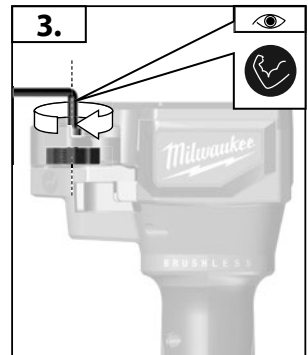
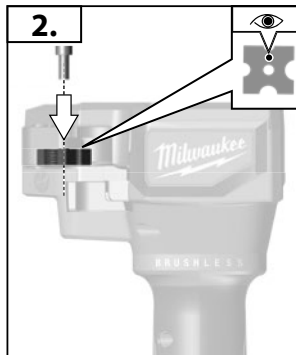
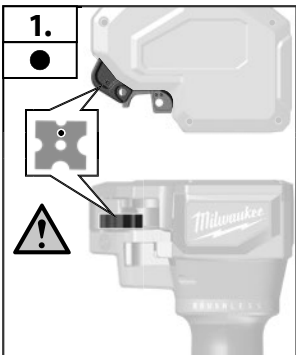
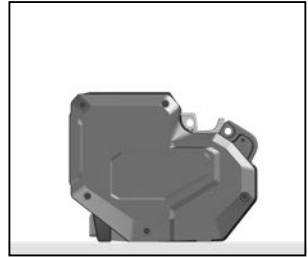
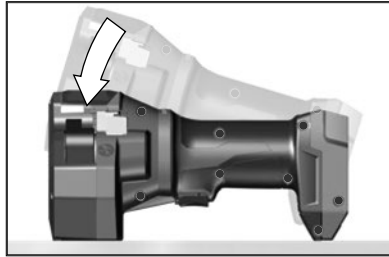
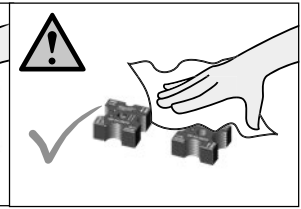
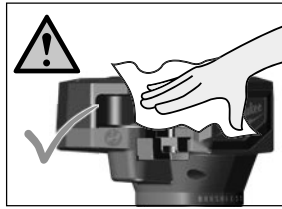
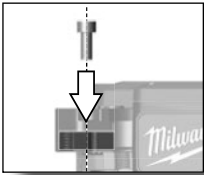


Accessory
Zubehör
Accessoires
Accessorio

Accessorio • Acessório
Toebehoren • Tilbehør
Tilbehør • Tillbehör
Lisälaite • Εξαρτήματα
Aksesuar • Прилушенств
Prislušenstv • Wyposażenie
Azokát a tartozékokat
Oprema • Piederumi
Priedas • Tarvikud
Дополнитель • Аксесоари
Accessorii • ополнителна
опрема • Комплектуючі
الملحق





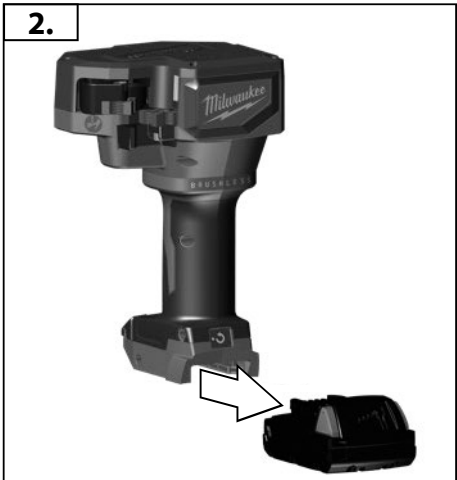
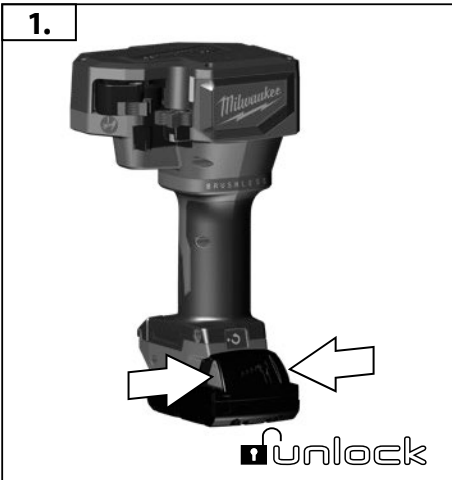
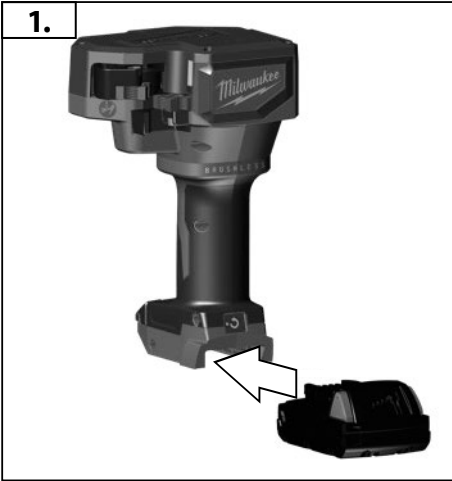


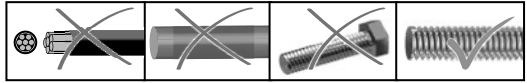


TIP

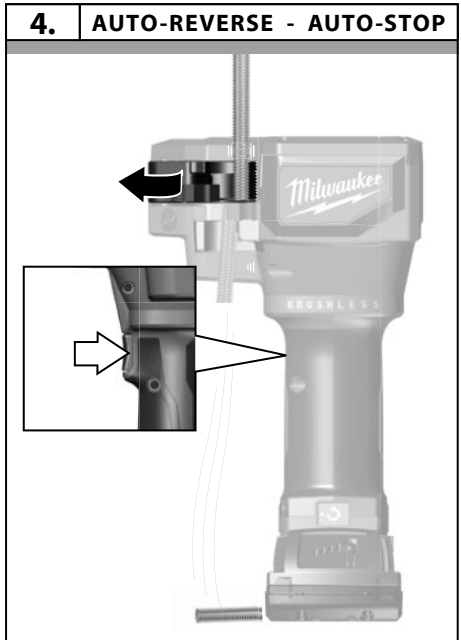
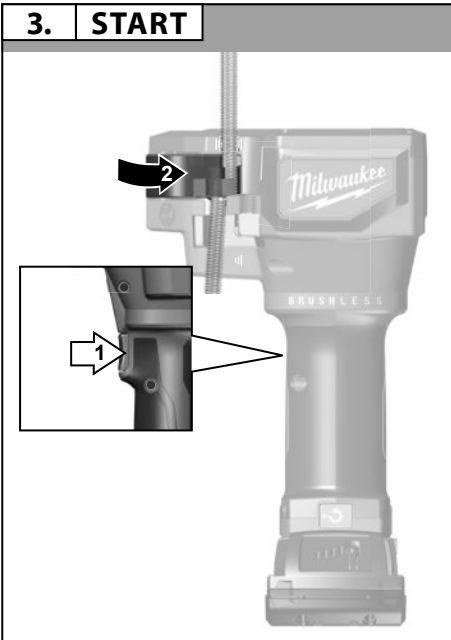
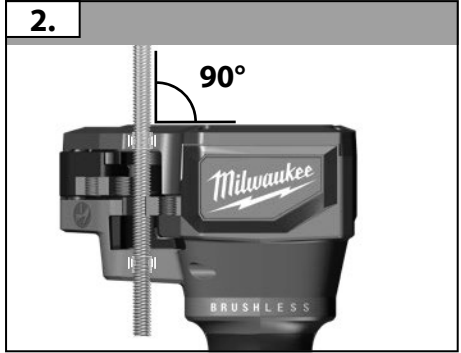
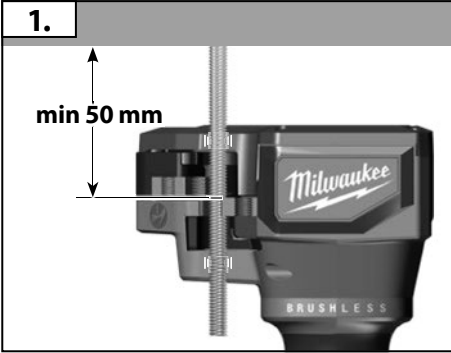


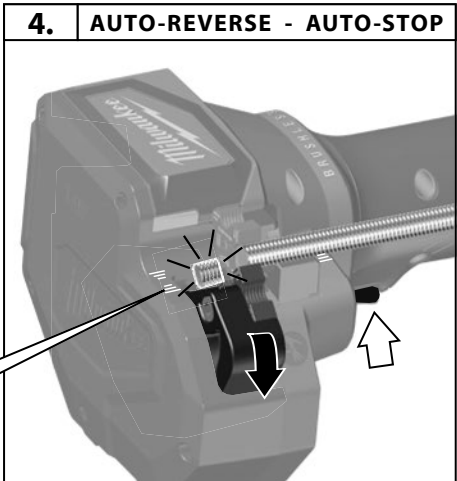
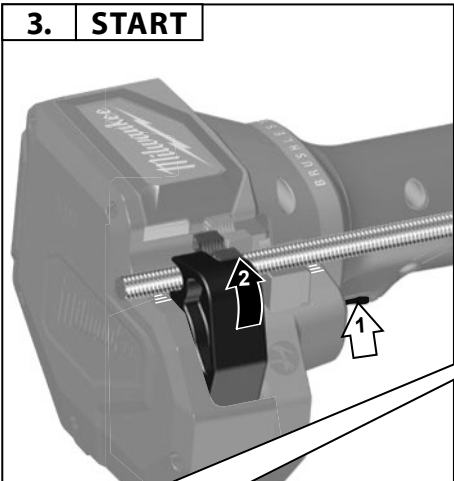
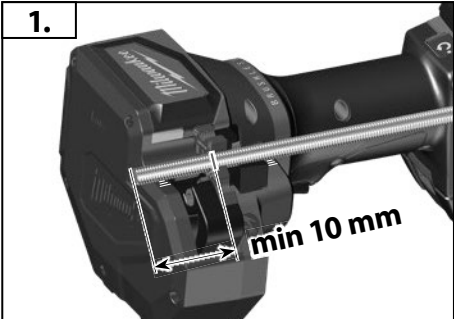
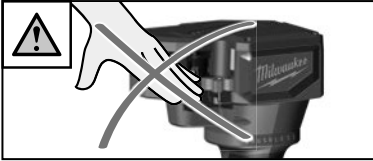
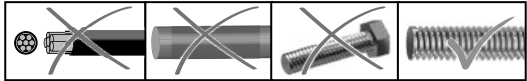
78-100 %		
55-77 %		
33-54 %		
10-32 %		
<10 %		



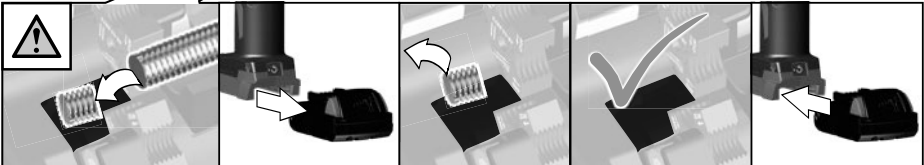


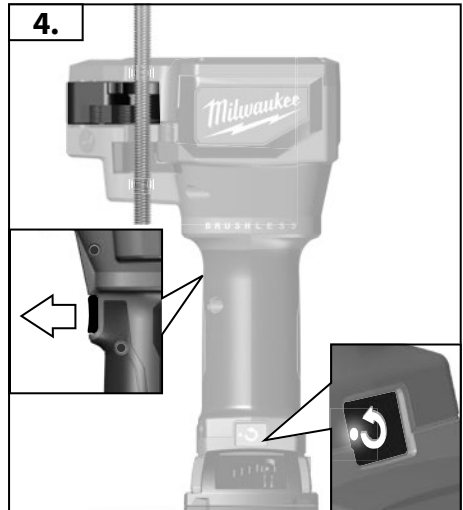
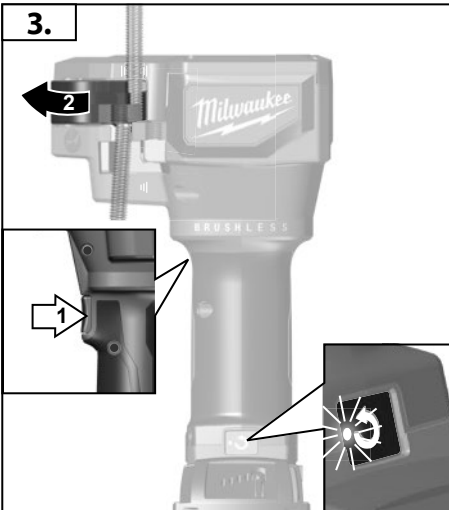
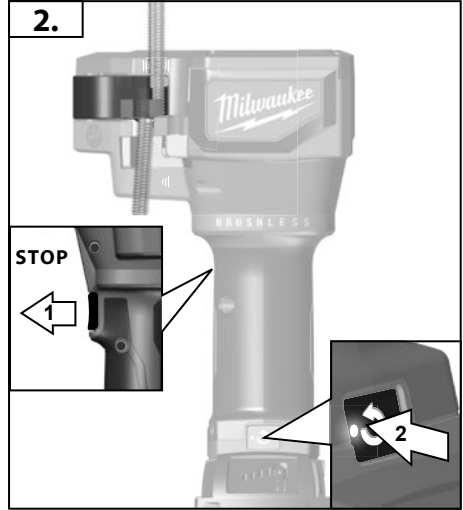
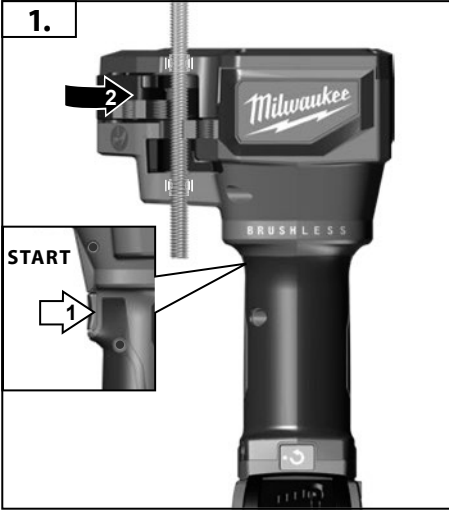
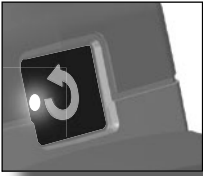
START
STOP
≡

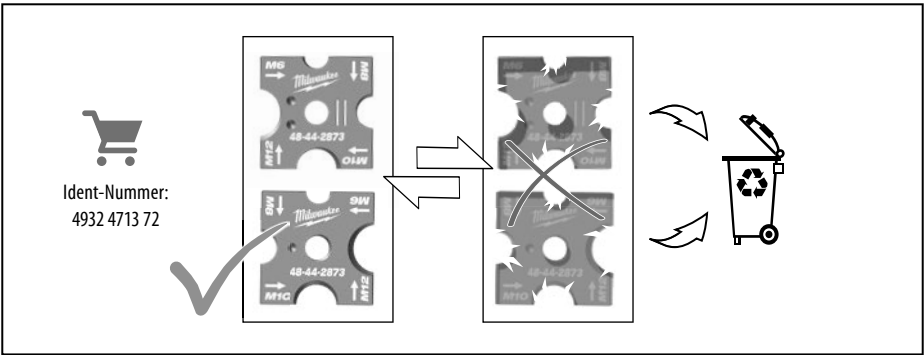




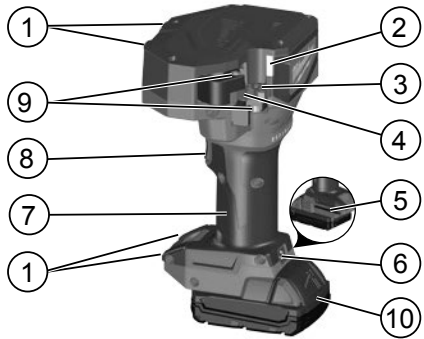
**START
STOP**







TECHNICAL DATA Threaded Rod Cutter	M18 BLTRC
Production code	4775 24 02... ... 000001-999999
Battery voltage	18 V
Cutting range Steel	M 6 x 1 M 8 x 1,25 M 10 x 1,5 M 12 x 1,75
Cutting range Stainless steel	M 6 x 1 M 8 x 1,25 M 10 x 1,5
Weight according EPTA-Procedure 01/2014 (Li-Ion 2,0 Ah...12,0 Ah)	3,9 kg...5,0 kg
Recommended Ambient Operating Temperature	-18°C ... +50°C
Recommended battery types	M18B... M18HB...
Recommended charger	M12-18...
Noise information	
Measured values determined according to EN 62841. Typically, the A-weighted noise levels of the tool are:	
Sound pressure level (Uncertainty K=3dB(A))	75,27 dB (A)
Sound power level (Uncertainty K=3dB(A))	86,27 dB (A)
Wear ear protectors!	
Vibration information	
Vibration total values (triaxial vector sum) determined according to EN 62841	
Vibration emission value a_h	0,48 m/s^2
Uncertainty K=	1,5 m/s^2



Device description

- | | |
|---------------------|--|
| ① Benchtop supports | ⑥ Release trigger |
| ② LED | ⑦ Handle
Insulated gripping surface |
| ③ Fixed die | ⑧ Trigger |
| ④ Movable die | ⑨ Hex Socket Bolts |
| ⑤ Hex wrench (5 mm) | ⑩ Battery |

⚠ WARNING Read all safety warnings, instructions, illustrations and specifications provided with this power tool. Failure to follow all instructions listed below may result in electric shock, fire and/or serious injury.

Save all warnings and instructions for future reference.

⚠ SAFETY WARNINGS

The operator of this device must be instructed in the specific dangers associated with using this device and in the essential safety measures before working with it for the first time and at least once a year thereafter.

The operating company must:

- make the operating manual available to the operator and
- ensure that the operator has read and understood it.

Maintain labels and nameplates. These carry important information. If unreadable or missing, they have to be replaced.

Always use common sense and be cautious when using tools. It is not possible to anticipate every situation that could result in a dangerous outcome. Do not use this tool if you do not understand these operating instructions or you feel the work is beyond your capability; contact Milwaukee Tool or a trained professional for additional information or training.

Do not work on electrically live parts. Device is NOT insulated.

Keep hands and loose items of clothing away from jaws / dies and other moving parts. There is a risk of serious injury, including severing of limbs.

Use protective equipment. Always wear goggles when using the machine. The use of protective clothing is recommended, such as dust mask, protective gloves, sturdy non-slip footwear, helmet and ear defenders.

To reduce the risk of injury, wear safety goggles or glasses with side shields when operating or servicing the tool. Material may crack or shatter.

To avoid injury and damage, prevent accidental starting of the device.

Never hold the tool in the area of jaws and cutting dies.

Before using, always check the dies and jaws for cracks and other signs of wear.

Only use the threaded rod cutter, battery pack and charger if they are in perfect technical condition.

Have damage repaired immediately by an authorised workshop.

Remove the battery pack before starting any work on the appliance.

Do not use tool without dies installed. Fingers could be crushed with or without dies in place.

Remove any setting tools and wrenches before making the cut.

To avoid injury and damage, never immerse the tool, removable battery or charger in liquid or allow liquid to penetrate them.

Avoid cutting short pieces of material that put hands near dies.

Workpiece may not be exposed to any mechanical forces.

To reduce the risk of explosions, electric shock and damage to property and equipment, do not use on life objects.

Tool is NOT insulated. Contact with a live circuit could result in severe injury or death.

Cutting dies are sharp. Keep hands away from cutting edges and moving parts. Avoid cutting short pieces of material that put hands near dies. Laceration and amputation can occur.

WARNING Some dust created by power sanding, sawing, grinding, drilling, and other construction activities contains chemicals known to cause cancer, birth defects or other reproductive harm. Some examples of these chemicals are:

- lead from lead-based paint
- crystalline silica from bricks and cement and other masonry products, and
- arsenic and chromium from chemically-treated lumber.

Your risk from these exposures varies, depending on how often you do this type of work. To reduce your exposure to these chemicals: work in a well ventilated area, and work with approved safety equipment, such as those dust masks that are specially designed to filter out microscopic particles.

WARNING! To reduce the risk of fire, personal injury, and product damage due to a short circuit, never immerse your tool, battery pack or charger in fluid or allow a fluid to flow inside them. Corrosive or conductive fluids, such as seawater, certain industrial chemicals, and bleach or bleach containing products, etc., Can cause a short circuit.

Use only System M18 chargers for charging System M18 battery packs. Do not use battery packs from other systems.

Never break open battery packs and chargers and store only in dry rooms. Keep dry at all times.

SPECIFIED CONDITIONS OF USE

This heavy duty threaded rod cutter is designed for professional applications.

WARNING: To reduce the risk of injury, only cut materials for the cutting dies (see „Technical Data“). Do not attempt to cut other materials.

This tool will cut off threaded rod cleanly and burr-free, allowing nuts to be hand-threaded without additional finishing. Workpiece quality, dirt, and scale could affect the ability to hand-thread nuts.

NOTE: Use this tool for cutting the sizes and materials listed below. Other sizes or materials will damage the tool and workpiece.

DO NOT operate or use under wet conditions or in the presence of flammable liquids or gases.

DO NOT use for cutting tempered bolts, threads of different sizes or reinforcing rod.

NOTE: The rod cutter has been designed so that the nut threads onto the cut rod by hand. Thread quality, surface finish (i.e., galvanized or plated), dirt and scale could affect the ability of the nut to thread freely onto the cut rod.

WARNING: If the dies need to be opened without completing the cycle, never release the main handle. Use your other hand to press the reserve button until the indicator lamp lights up. Put the hand back on the workpiece and hold it securely. Then press the main trigger until the tool stops automatically to open the dies.

USE

Always wear goggles when using the device.

Cutting dies are sharp. Keep hands away from cutting edges and moving parts. Avoid cutting short pieces of material that put hands near dies. Laceration and amputation can occur.

During overhead use, ensure BOTH ends of the rod are secure to avoid pieces falling when the cut is complete.

Cutting

- Before use, ensure the cutting dies are aligned for the proper rod size.
- Ensure the hex bolts are tightened securely.
- Cut clean material to extend the cutting die blade life.
- Wipe dirt and debris from material and cutting dies before beginning the cut.
- Only use the cutting dies on the material for they were designed for. Other materials could damage the cutting dies and tool.
- Insert the battery pack.
- To ensure proper die life, threaded rod must be fully engaged properly with dies during the cut. For accurate work, always secure the workpiece before cutting.
- Do not attempt angled cuts. It will damage the cutting dies and workpiece. Hold the material firmly and securely against fixed cutting die when starting the cut.
- To run in reverse, press the reverse button; the button light will turn on. Press and hold trigger to reverse.
NOTE: The tool will only enter reverse mode if the jaws are NOT fully open.



Reverse Button

If the cutting jaws need to be opened without completing the cutting cycle:

1. Release the trigger.
2. Press the reverse button. The button light will turn ON.
3. Pull the trigger and hold the tool firmly until the cutting jaws open fully. NOTE: The tool will only enter reverse mode if the jaws are NOT fully open.

Jammed Cutting Dies

Dirt and debris can cause the cutting dies to become jammed together after a cut. If the tool shuts off and the cutting jaws are still closed:

1. Press the reverse button and pull the trigger until the cutting jaws open fully. If this does not work,
2. Remove the battery pack
3. Remove, clean, and reinstall the cutting dies according to „Removing/Replacing the Cutting Dies“.



MAINTENANCE

Remove the battery pack before starting any work on the appliance.

Never open the threaded rod cutter, removable battery or charger. Check the threaded rod cutter for any problems such as noise or jamming of moving parts that could be affecting the tool.

Check the cutting tools for cracks and other signs of wear.

Clean dust and debris from openings. Keep handle clean, dry and free of oil or grease. Use only mild soap and a damp cloth to clean, since certain cleaning agents and solvents are harmful to plastics and other insulated parts. Some of these include gasoline, turpentine, lacquer thinner, paint thinner, chlorinated cleaning solvents, ammonia and household detergents containing ammonia. Never use flammable or combustible solvents around tools.

Check that the dies are sharp and replace worn dies.

Replace the dies when they become chipped or damaged. Always replace dies as a set. Use only MILWAUKEE dies.

To avoid injury and damage, never immerse the tool, removable battery or charger in liquid or allow liquid to penetrate them.

The ventilation slots of the machine must be kept clear at all times.

Further service and repair work may only be carried out by authorized specialist workshops.

Use only Milwaukee accessories and Milwaukee spare parts. Should components need to be replaced which have not been described, please contact one of our Milwaukee service agents (see our list of guarantee/service addresses).

If needed, an exploded view of the tool can be ordered. Please state the Article No. as well as the machine type printed on the label and order the drawing at your local service agents or directly at: Techtronic Industries GmbH, Max-Eyth-Straße 10, 71364 Winnenden, Germany.

BATTERIES

Temperatures in excess of 50°C (122°F) reduce the performance of the battery pack. Avoid extended exposure to heat or sunshine (risk of overheating).

The contacts of chargers and battery packs must be kept clean.

For an optimum life-time, the battery packs have to be fully charged, after use. Battery packs which have not been used for some time should be recharged before use.

To obtain the longest possible battery life remove the battery pack from the charger once it is fully charged.

For battery pack storage longer than 30 days, Store the battery pack where the temperature is below 27°C and away from moisture. Store the battery packs in a 30% - 50% charged condition. Every six months of storage, charge the pack as normal.

Do not dispose of used battery packs in the household refuse or by burning them. Milwaukee Distributors offer to retrieve old batteries to protect our environment.

Do not store the battery pack together with metal objects (short circuit risk).

Battery acid may leak from damaged batteries under extreme load or extreme temperatures. In case of contact with battery acid wash it off immediately with soap and water. In case of eye contact rinse thoroughly for at least 10 minutes and immediately seek medical attention.

No metal parts must be allowed to enter the battery section of the charger (short circuit risk).

TRANSPORTING LITHIUM BATTERIES

Lithium-ion batteries are subject to the Dangerous Goods Legislation requirements.

Transportation of those batteries has to be done in accordance with local, national and international provisions and regulations.

The user can transport the batteries by road without further requirements.

Commercial transport of Lithium-Ion batteries by third parties is subject to Dangerous Goods regulations. Transport preparation and transport are exclusively to be carried out by appropriately trained persons and the process has to be accompanied by corresponding experts.

When transporting batteries:

Ensure that battery contact terminals are protected and insulated to prevent short circuit. Ensure that battery pack is secured against movement within packaging. Do not transport batteries that are cracked or leak. Check with forwarding company for further advice

EC-DECLARATION OF CONFORMITY

We declare under our sole responsibility that the product described under "Technical Data" fulfills all the relevant provisions of the directives

2011/65/EU (RoHS)

2006/42/EC

2014/30/EU

and the following harmonized standards have been used.

EN 62841-1:2015

EN 55014-1:2017+A11:2020

EN 55014-2:2015

EN IEC 63000:2018



Winnenden, 2020-11-09

Alexander Krug / Managing Director
Authorized to compile the technical file
Techtronic Industries GmbH
Max-Eyth-Straße 10, 71364 Winnenden, Germany

GB-DECLARATION OF CONFORMITY

We declare as the manufacturer under our sole responsibility that the product described under „Technical Data“ fulfills all the relevant provisions of the following Regulations

S.I. 2012/3032 (as amended), S.I. 2008/1597 (as amended),
S.I. 2016/1091 (as amended) and that the following designated standards have been used:

BS EN 62841-1:2015

BS EN 55014-1:2017+A11:2020

BS EN 55014-2:2015

BS EN IEC 63000:2018

Winnenden, 2020-11-09

Alexander Krug / Managing Director
Authorized to compile the technical file
Techtronic Industries GmbH
Max-Eyth-Straße 10, 71364 Winnenden, Germany

SYMBOLS



Please read the instructions carefully before starting the machine.



Always wear goggles when using the machine.



Pull force



CAUTION! WARNING! DANGER!



Remove the battery pack before starting any work on the appliance.



Keep hands away from cutting tools and other moving parts. Fingers may get caught in the cutting mechanism and be amputated or injured.



Accessory - Not included in standard equipment, available as an accessory.



Do not dispose electric tools, batteries/rechargeable batteries together with household waste material. Electric tools and batteries that have reached the end of their life must be collected separately and returned to an environmentally compatible recycling facility. Check with your local authority or retailer for recycling advice and collection point.



Voltage



Direct Current



European Conformity Mark



British Conformity Mark



Ukraine Conformity Mark



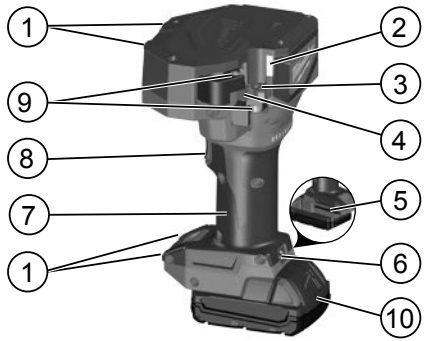
EurAsian Conformity Mark



TECHNISCHE DATEN Gewindestangenschneider	M18 BLTRC
Produktionsnummer	4775 24 02... ... 000001-999999
Spannung Wechselakku	18 V
Schnittbereich Stahl	M 6 x 1 M 8 x 1,25 M 10 x 1,5 M 12 x 1,75
Schnittbereich Edelstahl	M 6 x 1 M 8 x 1,25 M 10 x 1,5
Gewicht nach EPTA-Prozedur 01/2014 (Li-Ion 2,0 Ah...12,0 Ah)	3,9 kg...5,0 kg
Empfohlene Umgebungstemperatur für den Betrieb	-18°C ... +50°C
Empfohlene Akku Typen	M18B... M18HB...
Empfohlene Ladegeräte	M12-18...
Geräuschinformation	
Messwerte ermittelt entsprechend EN 62841. Der A-bewertete Geräuschpegel des Gerätes beträgt typischerweise:	
Schalldruckpegel (Unsicherheit K=3dB(A))	75,27 dB (A)
Schalleistungspegel (Unsicherheit K=3dB(A))	86,27 dB (A)
Gehörschutz tragen!	
Vibrationsinformationen	
Schwingungsgesamtwerte (Vektorsumme dreier Richtungen) ermittelt entsprechend EN 62841.	
Schwingungsemissionswert a_h Unsicherheit K=	0,48 m/s ² 1,5 m/s ²



D



Gerätebeschreibung

- | | |
|-----------------------------------|--|
| ① Werkzeugauflage | ⑥ Rückstellschalter |
| ② LED Leuchte | ⑦ Gerätehandgriff
Isolierte Grifffläche |
| ③ Feststehender
Schneideinsatz | ⑧ Auslöser |
| ④ Beweglicher
Schneideinsatz | ⑨ Innensechskantschrauben |
| ⑤ Inbusschlüssel (5 mm) | ⑩ Akku |



WARNUNG Lesen Sie alle **Sicherheitshinweise, Anweisungen, Bilderungen und technischen Daten, mit denen dieses Elektrowerkzeug versehen ist.** Versäumnisse bei der Einhaltung der nachfolgenden Anweisungen können elektrischen Schlag, Brand und/oder schwere Verletzungen verursachen.

Bewahren Sie alle Sicherheitshinweise und Anweisungen für die Zukunft auf.



SICHERSHINWEISE

Der Bediener dieses Gerätes ist vor der erstmaligen Aufnahme der Tätigkeit und danach, mindestens einmal jährlich, vor den besonderen Gefahren beim Umgang mit diesem Gerät und über die notwendigen Sicherheitsvorkehrungen zu unterweisen.

Der Betreiber muss:

- dem Bediener die Betriebsanleitung zugänglich machen und
- sich vergewissern, dass der Bediener sie gelesen und verstanden hat.

Etiketten und Typenschilder müssen unbedingt auf dem Gerät verbleiben, da sie wichtige Infos enthalten. Sollten sie unlesbar sein oder fehlen, müssen sie ersetzt werden.

Bei der Verwendung von Werkzeugen stets gesunden Menschenverstand anwenden und mit äußerster Sorgfalt vorgehen. Es ist unmöglich, alle Situationen mit Gefahrenpotenzial vorherzusehen. Dieses Werkzeug nicht verwenden, wenn Sie die Bedienungsanweisungen nicht verstehen oder das Gefühl haben, dass Sie der Arbeit nicht gewachsen sind. Für zusätzliche Informationen oder Schulungen wenden Sie sich an Milwaukee Tools oder einen Fachmann.

Niemals an stromführenden Teilen arbeiten. Das Gerät gilt als NICHT isoliert.

WARNUNG!

Der in diesen Anweisungen angegebene Schwingungspegel ist entsprechend einem in EN 62841 genormten Messverfahren gemessen worden und kann für den Vergleich von Elektrowerkzeugen miteinander verwendet werden. Er eignet sich auch für eine vorläufige Einschätzung der Schwingungsbelastung.

Der angegebene Schwingungspegel repräsentiert die hauptsächlichlichen Anwendungen des Elektrowerkzeugs. Wenn allerdings das Elektrowerkzeug für andere Anwendungen, mit abweichenden Einsatzwerkzeugen oder ungenügender Wartung eingesetzt wird, kann der Schwingungspegel abweichen. Dies kann die Schwingungsbelastung über den gesamten Arbeitszeitraum deutlich erhöhen.

Für eine genaue Abschätzung der Schwingungsbelastung sollten auch die Zeiten berücksichtigt werden, in denen das Gerät abgeschaltet ist oder zwar läuft, aber nicht tatsächlich im Einsatz ist. Dies kann die Schwingungsbelastung über den gesamten Arbeitszeitraum deutlich reduzieren.

Legen Sie zusätzliche Sicherheitsmaßnahmen zum Schutz des Bedieners vor der Wirkung von Schwingungen fest wie zum Beispiel: Wartung von Elektrowerkzeug und Einsatzwerkzeugen, Warmhalten der Hände, Organisation der Arbeitsabläufe.

Hände und lockere Kleidung von Schneidbacken/ -einsätzen und anderen beweglichen Teilen entfernt halten. Es besteht die Gefahr von schweren Verletzungen oder Abtrennung von Gliedmaßen.

Tragen Sie immer Ihre persönliche Schutzausrüstung. Beim Arbeiten mit der Maschine stets Schutzbrille tragen. Schutzkleidung wie Staubschutzmaske, Schutzhandschuhe, festes und rutschsicheres Schuhwerk, Helm und Gehörschutz werden empfohlen.

Um das Risiko von Verletzungen zu verringern, bei der Verwendung/Wartung des Werkzeugs stets eine Schutzbrille oder eine Brille mit Seitenschutz tragen. Bearbeitete Materialien können splintern oder reißen.

Um Verletzungen/Beschädigungen zu vermeiden, ein unbeabsichtigtes Einschalten des Geräts vermeiden.

Das Werkzeug niemals in der Nähe der Schneidbacken/-einsätze anfassen/halten.

Vor jedem Gebrauch Schneideinsätze/-backen auf Risse und sonstige Verschleißerscheinungen prüfen.

Gewindestangenschneider, Wechselakku und Ladegerät nur in technisch einwandfreiem Zustand verwenden.

Beschädigungen sofort von einer autorisierten Fachwerkstatt reparieren lassen.

Vor allen Arbeiten am Gerät den Wechselakku herausnehmen.

Das Werkzeug nur mit installierten Schneideinsätzen verwenden. Eine Quetschgefahr besteht sowohl bei installierten als auch bei nicht installierten Köpfen.

Entfernen Sie verwendete Einstellwerkzeuge oder Schlüssel bevor Sie den Schnitt ausführen.

Um Verletzungen oder Schäden zu vermeiden, tauchen Sie ihr Werkzeug, Wechselakku oder Ladegerät nie in Flüssigkeit oder lassen eine Flüssigkeit in sie fließen.

Keine kurzen Werkstückteile schneiden, bei denen die Hände in die Nähe der Schneideinsätze gelangen können.

Werkstücke dürfen keinen mechanischen Kräften ausgesetzt sein.

Um das Risiko von Explosionen, Stromschlag, Sach- und Geräteschaden zu reduzieren, das Werkzeug niemals mit spannungsführenden Objekten verwenden.

Das Werkzeug gilt als NICHT isoliert. Der Kontakt mit einem spannungsführenden Stromkreis kann schwerwiegende Verletzungen bis hin zum Tod verursachen.

Schneideinsätze sind extrem scharf. Deshalb die Hände stets von Schneidkanten und beweglichen Teilen fernhalten. Keine kurzen Werkstückteile schneiden, bei denen die Hände in die Nähe der Schneideinsätze gelangen können. Es besteht die Gefahr schwerer Verletzungen oder der Abtrennung von Gliedmaßen.

WARNUNG Staub von elektrischen Schleif-, Schneid-, Bohr- und anderen Bauarbeiten enthält Chemikalien, die Krebs, Geburtsschäden oder andere Schäden der Fortpflanzungsfähigkeit verursachen können. Dazu gehören unter anderem:

- Blei aus bleihaltigen Farben
- kristallines Siliziumdioxid aus Ziegelsteinen und Zement oder anderen Maurerzeugnissen, sowie
- Arsen und Chrom aus chemisch behandeltem Holz.

Die Risiken durch eine solche Exposition sind vielfältig und von der Häufigkeit der ausgeführten Arbeiten abhängig. Um eine übermäßige Exposition zu vermeiden, nur in gut belüfteten Umgebungen arbeiten und geeignete Sicherheitsausrüstungen, wie speziell zur Filterung mikroskopischer Partikel entwickelte Staubmasken, verwenden.

WARNUNG! Um die durch einen Kurzschluss verursachte Gefahr eines Brandes, von Verletzungen oder Produktbeschädigungen zu vermeiden, tauchen Sie das Werkzeug, den Wechselakku oder das Ladegerät nicht in Flüssigkeiten ein und sorgen Sie dafür, dass keine Flüssigkeiten in die Geräte und Akkus eindringen. Korrosierende oder leitfähige Flüssigkeiten, wie Salzwasser, bestimmte Chemikalien und Bleichmittel oder Produkte, die Bleichmittel enthalten, können einen Kurzschluss verursachen.

Wechselakkus des Systems M18 nur mit Ladegeräten des Systems M18 laden. Keine Akkus aus anderen Systemen laden.

Wechselakkus und Ladegeräte nicht öffnen und nur in trockenen Räumen lagern. Vor Nässe schützen.

BESTIMMUNGSGEMÄSSE VERWENDUNG

Dieser strapazierfähige Gewindestangenschneider wurde für professionelle Anwendungen entwickelt.

WARNUNG: Um das Verletzungsrisiko zu mindern, sollten nur für die Schneideinsätze geeignete Materialien geschnitten werden (siehe dazu den Abschnitt „Technische Daten“). Niemals andere Werkstoffe damit schneiden.

Das Werkzeug sorgt für eine saubere und gratfreie Ablängung von Gewindestangen, sodass Muttern ohne jegliche Nachbearbeitung manuell aufgeschraubt werden können. Einzig die Werkstückqualität, Schmutz und Ablagerungen können dies beeinträchtigen.

HINWEIS: Dieses Werkzeug nur zum Schneiden der nachfolgend angegebenen Größen und Materialien verwenden, da ansonsten Werkzeug und Werkstück beschädigt werden können.

Das Werkzeug NIEMALS bei feuchten oder nassen Bedingungen oder in der Nähe brennbarer Flüssigkeiten oder Gase verwenden.

NIEMALS für das Schneiden von gehärteten Schrauben, unterschiedlichen Gewindegrößen oder Bewehrungsstäben einsetzen.

HINWEIS: Der Stangenschneider wurde so konzipiert, dass sich Muttern von Hand auf die geschnittene Gewindestange drehen lassen. Gewindequalität, Oberflächengüte (d. h. vernickelt oder plattiert), Schmutz und Ablagerungen können den problemlosen Ablauf dieses Vorgangs beeinträchtigen.

WARNUNG: Muss der Schneideinsatz vor Abschluss des Vorgangs geöffnet werden, niemals den Griff loslassen. Mit der anderen Hand den Rückstellknopf drücken und halten, bis die Anzeige aufleuchtet. Die Hand wieder ans Werkstück bringen und dieses sicher halten. Dann den Hauptschalter drücken, bis das Werkzeug automatisch stoppt, um den Schneideinsatz zu öffnen.

ANWENDUNG

Beim Arbeiten mit dem Gerät stets Schutzbrille tragen.

Schneideinsätze sind extrem scharf. Deshalb die Hände stets von Schneidkanten und beweglichen Teilen fernhalten. Keine kurzen Werkstückteile schneiden, bei denen die Hände in die Nähe der Schneideinsätze gelangen können. Es besteht die Gefahr schwerer Verletzungen oder der Abtrennung von Gliedmaßen.

Bei Überkopparbeiten sicherstellen, dass BEIDE Enden der Stange gesichert sind, um ein Herunterfallen von Teilen nach Abschluss der Arbeiten zu vermeiden.



Schneidvorgang

- Vor dem Einsatz sicherstellen, dass der korrekte Schneideinsatz für die jeweilige Gewindestangengröße eingestellt ist.
- Sicherstellen, dass alle Sechskantschrauben fest angezogen sind.
- Stets saubere Materialien schneiden, um eine optimale Lebensdauer des Schneideinsatz-Messers zu erzielen.
- Deshalb vor jeglichen Arbeiten Material und Schneideinsatz von Schmutz und Ablagerungen befreien.
- Immer nur Schneideinsätze verwenden, die für die jeweiligen Materialien geeignet sind. Ansonsten kann es zu Beschädigungen von Schneideinsätzen und Werkzeug kommen.
- Akku einsetzen.
- Um eine lange Lebensdauer des Schneideinsatzes zu gewährleisten, muss er während des Schneidvorgangs stets schlüssig an der Gewindestange anliegen. Für ein genaues Arbeiten sollte das Werkstück vor dem Schneiden stets fixiert werden.
- Niemals Schrägschnitte durchführen, da dies zu Beschädigungen von Schneideinsatz und Werkstück führen kann. Das Material beim Schneidvorgang immer fest gegen den feststehenden Schneideinsatz drücken.
- Um den Rücklauf zu starten, die dafür vorgesehen Taste betätigen, bis die Anzeige leuchtet. Dann die Taste drücken und halten.

HINWEIS: Das Werkzeug schaltet nur dann in den Rücklaufmodus, wenn die Schneidbacken NICHT vollständig geöffnet sind.

Rücklaftaste

Wenn die Schneidbacken bei nicht abgeschlossenem Schneidvorgang geöffnet werden müssen:

1. Hauptschalter loslassen.
2. Rücklaftaste drücken. Die Anzeige leuchtet auf.
3. Haupttaste drücken und Werkzeug fest halten, bis die Schneidbacken vollständig geöffnet sind. HINWEIS: Das Werkzeug schaltet nur dann in den Rücklaufmodus, wenn die Schneidbacken NICHT vollständig geöffnet sind.

Verklebter Schneideinsatz

Schneideinsätze können sich nach dem Schnitt aufgrund von Schmutz oder Ablagerungen verkleben. Wenn sich das Werkzeug abschaltet und die Schneidbacken nicht geöffnet werden:

1. Rücklaftaste drücken und die Haupttaste betätigen, bis die Schneidbacken vollständig geöffnet sind. Wenn dies nicht funktioniert,
2. den Akku entfernen.
3. Die Schneideinsätze gemäß den Anweisungen unter „Entfernen/Austauschen der Schneideinsätze“ entfernen, reinigen und erneut installieren.

WARTUNG

Vor allen Arbeiten am Gerät den Wechselakku herausnehmen.

Niemals Gewindestangenschneider, Wechselakku oder Ladegerät öffnen. Den Gewindestangenschneider auf etwaige Probleme wie Geräuschbildung oder verklemmte bewegliche Teile, die einen einwandfreien Betrieb beeinträchtigen können, prüfen.

Schneidwerkzeuge auf Risse und sonstige Verschleißerscheinungen prüfen.

Öffnungen von Staub und Ablagerungen befreien. Den Griff stets sauber und frei von Öl oder Schmiermittel halten. Zur Säuberung nur mildes Seifenwasser und ein feuchtes Tuch verwenden, da einige Reinigungs- und Lösungsmittel Kunststoff- und Isolierkomponenten beschädigen können. Zu diesen Mitteln zählen unter anderem Benzin, Terpentin, Lack- und Farbverdünner, chlorierte Reinigungs- und Lösungsmittel, Ammoniak sowie ammoniakhaltige Haushaltsreiniger. In der Nähe von Werkzeugen niemals entzündliche oder brennbare Lösungsmittel verwenden.

Auf scharfe Schneideinsätze achten bzw. abgenutzte Schneideinsätze durch neue ersetzen.

Tauschen Sie die Schneideinsätze aus, wenn diese brüchig werden oder Beschädigungen aufweisen. Tauschen Sie die Schneideinsätze immer paarweise aus. Verwenden Sie ausschließlich MILWAUKEE-Schneideinsätze.

Um Verletzungen oder Schäden zu vermeiden, tauchen Sie ihr Werkzeug, Wechselakku oder Ladegerät nie in Flüssigkeit oder lassen eine Flüssigkeit in sie fließen.

Stets die Lüftungsschlitze der Maschine sauber halten.

Weitere Wartungs- und Reparaturarbeiten dürfen nur durch autorisierte Fachwerkstätten ausgeführt werden.

Nur Milwaukee Zubehör und Milwaukee Ersatzteile verwenden. Bauteile, deren Austausch nicht beschrieben wurde, bei einer Milwaukee Kundendienststelle austauschen lassen (Broschüre Garantie/Kundendienstadressen beachten).

Bei Bedarf kann eine Explosionszeichnung des Gerätes unter Angabe der Maschinen Type und der sechsstelligen Nummer auf dem Leistungsschild bei Ihrer Kundendienststelle oder direkt bei Techtronic Industries GmbH, Max-Eyth-Straße 10, 71364 Winnenden, Germany angefordert werden.

AKKUS

Eine Temperatur über 50°C vermindert die Leistung des Wechselakkus. Längere Erwärmung durch Sonne oder Heizung vermeiden.

Die Anschlusskontakte an Ladegerät und Wechselakku sauber halten.

Für eine optimale Lebensdauer müssen nach dem Gebrauch die Akkus voll geladen werden. Längere Zeit nicht benutzte Wechselakkus vor Gebrauch nachladen.

Für eine möglichst lange Lebensdauer sollten die Akkus nach dem Aufladen aus dem Ladegerät entfernt werden.

Bei Lagerung des Akkus länger als 30 Tage, Akku bei ca. 27°C und trocken lagern, Akku bei ca. 30%-50% des Ladezustandes lagern, Akku alle 6 Monate erneut aufladen.

Verbrauchte Wechselakkus nicht ins Feuer oder in den Hausmüll werfen. Milwaukee bietet eine umweltgerechte Alt-Wechselakku-Entsorgung an; bitte fragen Sie Ihren Fachhändler.

Wechselakkus nicht zusammen mit Metallgegenständen aufbewahren (Kurzschlussgefahr).

Unter extremer Belastung oder extremer Temperatur kann aus beschädigten Wechselakku Batterieflüssigkeit auslaufen. Bei Berührung mit Batterieflüssigkeit sofort mit Wasser und Seife abwaschen. Bei Augenkontakt sofort mindestens 10 Minuten gründlich spülen und unverzüglich einen Arzt aufsuchen. In den Wechselakku-Einschubschacht der Ladegeräte dürfen keine Metallteile gelangen (Kurzschlussgefahr).

TRANSPORT VON LITHIUM-IONEN-AKKUS

Lithium-Ionen-Akkus fallen unter die gesetzlichen Bestimmungen zum Gefahrguttransport.

Der Transport dieser Akkus muss unter Einhaltung der lokalen, nationalen und internationalen Vorschriften und Bestimmungen erfolgen.

Verbraucher dürfen diese Akkus ohne Weiteres auf der Straße transportieren.

Der kommerzielle Transport von Lithium-Ionen-Akkus durch Speditionsunternehmen unterliegt den Bestimmungen des Gefahrguttransports. Die Versandvorbereitungen und der Transport dürfen ausschließlich von entsprechend geschulten Personen durchgeführt werden. Der gesamte Prozess muss fachmännisch begleitet werden.

Folgende Punkte sind beim Transport von Akkus zu beachten:

Stellen Sie sicher, dass die Kontakte geschützt und isoliert sind, um Kurzschlüsse zu vermeiden. Achten Sie darauf, dass der Akkupack innerhalb der Verpackung nicht verrutschen kann. Beschädigte oder auslaufende Akkus dürfen nicht transportiert werden. Wenden Sie sich für weitere Hinweise an Ihr Speditionsunternehmen.

CE-KONFORMITÄTSERKLÄRUNG

Wir erklären in alleiniger Verantwortung, dass das unter „Technische Daten“ beschriebene Produkt mit allen relevanten Vorschriften der Richtlinien

2011/65/EU (RoHS)

2006/42/EC

2014/30/EU

und den folgenden harmonisierten normativen Dokumenten übereinstimmt

EN 62841-1:2015

EN 55014-1:2017+A11:2020

EN 55014-2:2015

EN IEC 63000:2018



Winnenden, 2020-11-09

Alexander Krug / Managing Director
Bevollmächtigt die technischen Unterlagen zusammenzustellen.

Techtronic Industries GmbH
Max-Eyth-Straße 10, 71364 Winnenden, Germany

SYMBOLE



Bitte lesen Sie die Gebrauchsanweisung vor Inbetriebnahme sorgfältig durch.



Beim Arbeiten mit der Maschine stets Schutzbrille tragen.



Zugkraft



ACHTUNG! WARNUNG! GEFAHR!



Vor allen Arbeiten am Gerät den Wechselakku herausnehmen.



Hände vom Schneidwerkzeug und anderen beweglichen Teilen entfernt halten. Finger können in den Schneidmechanismus geraten und abgetrennt oder verletzt werden.



Zubehör - Im Lieferumfang nicht enthalten, empfohlene Ergänzung aus dem Zubehörprogramm.



Elektrogeräte, Batterien/Akkus dürfen nicht zusammen mit dem Hausmüll entsorgt werden. Elektrische Geräte und Akkus sind getrennt zu sammeln und zur umweltgerechten Entsorgung bei einem Verwertungsbetrieb abzugeben. Erkundigen Sie sich bei den örtlichen Behörden oder bei Ihrem Fachhändler nach Recyclinghöfen und Sammelstellen.



Spannung



Gleichstrom



Europäisches Konformitätszeichen



Britisches Konformitätszeichen



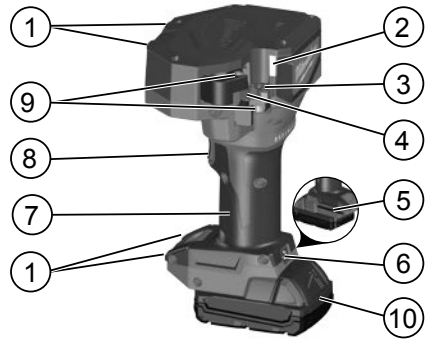
Ukrainisches Konformitätszeichen



Euroasiatisches Konformitätszeichen



CARACTÉRISTIQUES TECHNIQUES	M18 BLTRC
Coupe tige filetée	
Numéro de série	4775 24 02... ... 000001-999999
Tension accu interchangeable	18 V
Zone de coupe Acier	M 6 x 1 M 8 x 1,25 M 10 x 1,5 M 12 x 1,75
Zone de coupe Inox	M 6 x 1 M 8 x 1,25 M 10 x 1,5
Poids suivant EPTA-Procédure 01/2014 (Lilion 2,0 Ah...12,0 Ah)	3,9 kg...5,0 kg
Température ambiante conseillée pour le fonctionnement	-18°C ... +50°C
Batteries conseillées	M18B... M18HB...
Chargeurs conseillés	M12-18...
Informations sur le bruit	
Valeurs de mesure obtenues conformément à la EN 62841. Les mesures réelles (des niveaux acoustiques de l'appareil sont :	
Niveau de pression acoustique (Incertitude K=3dB(A))	75,27 dB (A)
Niveau d'intensité acoustique (Incertitude K=3dB(A))	86,27 dB (A)
Toujours porter une protection acoustique!	
Informations sur les vibrations	
Valeurs totales des vibrations (somme vectorielle de trois sens) établies conformément à EN 62841.	
Valeur d'émission vibratoire a_h	0,48 m/s ²
Incertitude K=	1,5 m/s ²



Description du dispositif

- | | |
|--------------------------|----------------------------|
| ① Plans de travail | ment |
| ② LED | ⑦ Poignée |
| ③ Matrice fixe | Surface de prise isolée |
| ④ Matrice mobile | ⑧ Déclencheur |
| ⑤ Clé Allen (5 mm) | ⑨ Boulons à six pans creux |
| ⑥ Déclencheur de réarme- | ⑩ Batterie |

⚠ AVERTISSEMENT Lisez toutes les consignes de sécurité, instructions, présentations et données que vous recevez avec l'appareil. Le fait de ne pas suivre toutes les instructions données cidessous peut provoquer un choc électrique, un incendie et/ou une blessure grave.

Bien garder tous les avertissements et instructions.

⚠ INSTRUCTIONS DE SÉCURITÉ PARTICULIÈRES

L'opérateur de cet appareil doit avoir reçu des instructions concernant les dangers spécifiques associés à son utilisation et des mesures de sécurité essentielles avant de travailler avec pour la première fois et au moins une fois par an par la suite.

La société d'exploitation doit :

- mettre la notice technique à la disposition de l'opérateur et
- s'assurer que l'opérateur l'a lue et comprise.

Conservez les étiquettes et les plaques écrites. Elles contiennent des informations importantes. Si elles manquent ou sont illisibles, elles doivent être remplacées.

Agissez avec bon sens et soyez prudent lors de l'utilisation des outils. Il n'est pas toujours possible de prévoir les situations qui pourraient devenir dangereuses. Si vous ne comprenez pas le présent mode d'emploi ou si vous avez l'impression que la tâche dépasse vos capacités, n'utilisez pas cet outil. Contactez Milwaukee Tool ou un spécialiste expérimenté pour des informations ou une formation complémentaires.

Ne travaillez pas sur des éléments sous tension. L'appareil N'EST PAS isolé.

Tenir les mains et les vêtements amples à distance des outils de coupe et autres pièces mobiles. Risque de blessure grave, y compris le sectionnement de membres.

Utilisez un équipement de protection. Toujours porter des lunettes protectrices en travaillant avec la machine. Il est recommandé de porter des articles de protection, tels que masque antipoussières, gants de protection, chaussures tenant bien aux pieds et antidérapantes, casque et protection acoustique.

Afin de réduire les risques de blessures, portez des lunettes de sécurité ou des lunettes dotées d'écrans latéraux lors de l'utilisation ou de l'entretien de l'outil. Les matériaux peuvent se fendre ou voler en éclats.

Pour éviter tout dommage ou blessure, empêchez le démarrage accidentel de l'appareil.

Ne tenez pas l'outil dans les zones des mâchoires ou des matrices coupantes.

Avant chaque utilisation, vérifiez que les matrices et les mâchoires ne présentent ni fissures, ni signes d'usure.

Servez-vous du coupe tige fileté, du pack accu et du chargeur, seulement s'ils sont en parfait état technique.

Faire immédiatement réparer d'éventuels dommages chez une usine autorisée.

Avant tous travaux sur l'appareil retirer l'accu interchangeable. N'utilisez pas l'outil sans que les matrices ne soient installées. Les doigts peuvent être écrasés, que les matrices soient en place ou non.

Retirer les outils de réglage et clés avant de procéder à la coupe. Pour éviter des blessures et des dommages, ne jamais immerger l'outil, la batterie amovible ou le chargeur dans un liquide ou permettre à du liquide d'y pénétrer.

Ne coupez pas de petites longueurs de pièce, si les doigts doivent venir trop près des matrices coupantes pour cela. Elles sont très acérées !

La pièce à usiner ne doit pas être soumise à des forces mécaniques. Afin de réduire les risques d'explosions, d'électrocution et de dommages au niveau du matériel et de l'équipement, ne pas utiliser sur des pièces sous tension.

L'outil n'est PAS isolé. Un contact avec un circuit sous tension pourrait entraîner des blessures graves ou la mort.

Les lames des matrices sont très acérées. Tenez vos mains à distance de toutes les arêtes vives et pièces en déplacement. Évitez de couper des petites pièces qui obligent à avoir les mains près des lames. Risque de lacération et d'amputation.

AVERTISSEMENT Certaines poussières créées par le ponçage, le sciage, le meulage, le perçage et d'autres activités du bâtiment contiennent des substances chimiques connues pour provoquer des cancers, avoir des effets tératogènes ou néfastes sur la reproduction. En voici quelques exemples :

- le plomb contenu dans les peintures à base de plomb
- la silice cristalline issue des briques, ciments et autres produits de maçonnerie, et
- l'arsenic et le chrome des bois traités chimiquement.

Les risques liés à l'exposition à ces substances dépendent de la fréquence de réalisation de ce type de travaux. Afin de réduire votre exposition à ces substances chimiques, nous vous conseillons de travailler dans un endroit bien ventilé et d'utiliser des équipements de sécurité agréés comme les masques de protection contre les poussières spécialement conçus pour filtrer les particules microscopiques.

AVERTISSEMENT! Pour réduire le risque d'incendie, de blessures corporelles et de dommages causés par un court-circuit, ne jamais immerger l'outil, le bloc-piles ou le chargeur dans un liquide ou laisser couler un fluide à l'intérieur de celui-ci. Les fluides corrosifs ou conducteurs, tels que l'eau de mer, certains produits chimiques industriels, les produits de blanchiment ou de blanchiment, etc., peuvent provoquer un court-circuit.

Ne charger les accus interchangeables du système M18 qu'avec le chargeur d'accus du système M18. Ne pas charger des accus d'autres systèmes.

Ne pas ouvrir les accus interchangeables et les chargeurs et ne les stocker que dans des locaux secs. Les protéger contre l'humidité.

UTILISATION CONFORME AUX PRESCRIPTIONS

Ce coupe tige fileté à usage industriel est conçu pour les utilisations professionnelles.

AVERTISSEMENT: Afin de réduire les risques de blessures, coupez seulement des matériaux convenant à ces matrices (voir Spécifications). N'essayez pas de couper d'autres matériaux avec.

Cet outil coupe les tiges filetées proprement et sans bavures, permettant de visser les boulons à la main sans nécessiter de finitions. La qualité, la propreté et la taille des pièces à usiner conditionnent la facilité avec laquelle les boulons peuvent être vissés.

REMARQUE: Utilisez cet outil pour couper les tailles et les matériaux listés ci-dessous. D'autres tailles ou matériaux endommageraient l'outil et la pièce à usiner.

N'utilisez PAS et ne mettez pas en marche l'appareil s'il est mouillé ou à proximité de liquides ou gaz inflammables.

Ne l'utilisez PAS pour couper des boulons en métal trempé, des filetages de dimensions différentes ou des barres d'armature.

REMARQUE: Le coupe tige fileté a été conçu afin de permettre le vissage à la main de l'écrou sur la tige coupée. La qualité du filetage, le traitement de surface (galvanisée, plaquée...), la propreté et la dimension peuvent affecter la facilité de vissage de l'écrou sur la tige coupée.

AVERTISSEMENT: S'il est nécessaire d'ouvrir la matrice avant l'accomplissement du cycle, ne relâchez jamais la poignée principale. Utilisez votre autre main pour appuyer sur le bouton d'inversion jusqu'à ce que l'indicateur s'allume. Ensuite remettez votre main sur la pièce à usiner et tenez-la fermement. Puis appuyez sur l'interrupteur marche-arrêt principal jusqu'à que l'outil s'arrête automatiquement pour ouvrir les matrices.

UTILISATION

Toujours porter des lunettes protectrices en travaillant avec l'appareil.

Les matrices de coupe sont acérées. Tenez vos mains à distance de toutes les arêtes vives et pièces en déplacement. Évitez de couper de petits bouts de matériaux qui obligeraient à mettre les mains près des matrices de coupe. Risque de lacération et d'amputation.

Lors de l'utilisation en hauteur, assurez-vous que les DEUX extrémités de la tige sont bien fixées afin d'éviter que des morceaux ne tombent en fin de coupe.

Coupe

- Avant la coupe, assurez-vous que les matrices de coupe sont correctement adaptées à la taille de la tige.
- Assurez-vous que les boulons à six pans creux sont bien fixés.
- Coupez des pièces bien propres afin de prolonger la durée de vie de la lame de la matrice de coupe.
- Avant de procéder à la coupe, éliminez les saletés et les débris de la pièce à usiner et des matrices de coupe.
- Utilisez les matrices de coupe exclusivement pour les matériaux pour lesquels elles ont été conçues. D'autres matériaux pourraient endommager les matrices de coupe et l'outil.
- Mettez le pack accu en place.
- Afin de protéger la durée de vie de la matrice, la tige fileté doit être complètement engagée et correctement placée par rapport à la matrice pendant la coupe. Pour un travail précis, fixez toujours bien la pièce à usiner avant la coupe.



- N'essayez pas d'effectuer des coupes de biais. Cela endommagerait les matrices de coupe et la pièce à usiner. La pièce à usiner doit être tenue fermement contre la matrice fixe lorsque la coupe commence.
- Pour inverser le sens de la marche, appuyez sur le bouton d'inversion dont la lumière s'allume alors. Pour inverser, maintenez l'interrupteur marche-arrêt enfoncé.
REMARQUE: L'outil inversera son fonctionnement seulement si les mâchoires ne sont PAS COMPLÈTEMENT ouvertes.

Bouton d'inversion

S'il est nécessaire d'ouvrir les mâchoires de coupe avant l'accomplissement du cycle,

1. relâchez l'interrupteur marche-arrêt.
2. Appuyez sur le bouton d'inversion. La lumière du bouton s'allume.
3. Appuyez sur l'interrupteur marche-arrêt en tenant fermement l'outil jusqu'à que les mâchoires de coupe s'ouvrent complètement. REMARQUE: L'outil inversera son fonctionnement seulement si les mâchoires ne sont PAS COMPLÈTEMENT ouvertes.

Matrices de coupe bloquées

Les saletés et les débris peuvent provoquer le blocage des matrices entre elles après une coupe. Si l'outil s'arrête mais que les mâchoires de coupe restent fermées :

1. appuyez sur le bouton d'inversion et sur l'interrupteur marche-arrêt jusqu'à que les mâchoires de coupe s'ouvrent complètement. Si cela ne marche pas,
2. retirez le pack accu
3. Enlevez et nettoyez les matrices de coupe, puis réinstallez-les selon instructions de Démontage et remontage des matrices de coupe.

ENTRETIEN

Avant tous travaux sur l'appareil retirer l'accu interchangeable.

N'ouvrez jamais le coupe tige fileté, l'accu amovible ou le chargeur. Assurez-vous que le coupe tige fileté ne présente aucun problème comme des bruits ou des parties mobiles bloquées pouvant affecter l'outil.

Vérifier que les outils de coupe ne présentent pas de fissures ou d'autres signes d'usure.

Éliminez les saletés et les débris des ouvertures. Assurez-vous que la poignée soit propre, sèche et exempte d'huile et de graisses. Effectuez le nettoyage exclusivement avec du savon doux et un chiffon humide, certains agents nettoyants et solvants pouvant endommager les parties en plastique ou protégées. Parmi ces produits néfastes comptent notamment l'essence, la térébenthine, les diluants pour vernis ou peintures, les solvants nettoyants chlorés, l'ammoniac et les détergents ménagers contenant de l'ammoniac. N'utilisez jamais de solvants inflammables ou combustibles à proximité des outils.

Vérifiez que les outils de coupe sont tranchants et remplacez les outils de coupe usés.

Remplacez les outils de coupe lorsqu'ils commencent à être ébréchés ou endommagés. Remplacez toujours l'ensemble des outils de coupe. Utiliser uniquement des lames MILWAUKEE.

Pour éviter des blessures et des dommages, ne jamais immerger l'outil, la batterie amovible ou le chargeur dans un liquide ou permettre à du liquide d'y pénétrer.

Tenir toujours propres les orifices de ventilation de la machine. D'autres interventions d'entretien et de réparation devront être effectuées exclusivement par des usines spécialisées et autorisées.

Utiliser uniquement les accessoires Milwaukee et les pièces détachées Milwaukee. Faire remplacer les composants dont le remplacement n'a pas été décrit, par un des centres de service après-vente Milwaukee (observer la brochure avec les adresses de garantie et de service après-vente).

Si besoin est, une vue éclatée de l'appareil peut être fournie. S'adresser, en indiquant bien le numéro porté sur la plaque signalétique, à votre station de service après-vente (voir liste jointe) ou directement à Techtronic Industries GmbH, Max-Eyth-Strasse 10, 71364 Winnenden, Germany.

ACCUS

Une température supérieure à 50°C amoindrit la capacité des accus. Éviter les expositions prolongées au soleil ou au chauffage.

Tenir propres les contacts des accus et des chargeurs.

Pour une durée de vie optimale, les accus doivent être chargés à fond après l'utilisation. Recharger les accus avant utilisation après une longue période de non utilisation.

Pour une plus longue durée de vie, enlever les batteries du chargeur de batterie quand celles-ci seront chargées.

En cas d'entreposage de la batterie pour plus de 30 jours., Entreposer la batterie à 27°C environ dans un endroit sec., Entreposer la batterie avec une charge d'environ 30% - 50%., Recharger la batterie tous les 6 mois.

Ne pas jeter les accus interchangeables usés au feu ou avec les déchets ménagers. Milwaukee offre un système d'évacuation écologique des accus usés.

Ne pas conserver les accus interchangeables avec des objets métalliques (risque de court-circuit)

En cas de conditions ou températures extrêmes, du liquide caustique peut s'échapper d'un accu interchangeable endommagé. En cas de contact avec le liquide caustique de la batterie, laver immédiatement avec de l'eau et du savon. En cas de contact avec les yeux, rincer soigneusement avec de l'eau et consulter immédiatement un médecin.

Aucune pièce métallique ne doit pénétrer dans le logement d'accu du chargeur (risque de court-circuit)



TRANSPORT DE BATTERIES LITHIUM-ION

Les batteries lithium-ion sont soumises aux dispositions législatives concernant le transport de produits dangereux.

Le transport de ces batteries devra s'effectuer dans le respect des dispositions et des normes locales, nationales et internationales.

Les utilisateurs peuvent transporter ces batteries sans restrictions.

Le transport commercial de batteries lithium-ion est réglé par les dispositions concernant le transport de produits dangereux. La préparation au transport et le transport devront être effectués uniquement par du personnel formé de façon adéquate. Tout le procédé devra être géré d'une manière professionnelle.

Durant le transport de batteries il faut respecter les consignes suivantes :

S'assurer que les contacts soient protégés et isolés en vue d'éviter des courts-circuits. S'assurer que le groupe de batteries ne puisse pas se déplacer à l'intérieur de son emballage. Des batteries endommagées ou des batteries perdant du liquide ne devront pas être transportées. Pour tout renseignement complémentaire veuillez vous adresser à votre transporteur professionnel.

DÉCLARATION CE DE CONFORMITÉ

Nous déclarons, sous notre responsabilité exclusive, que le produit décrit ici dans les « Caractéristiques techniques » satisfait à toutes les dispositions pertinentes des directives

2011/65/EU (RoHS)

2006/42/EC

2014/30/EU

et que les normes harmonisées suivantes ont été appliquées.

EN 62841-1:2015

EN 55014-1:2017+A11:2020

EN 55014-2:2015

EN IEC 63000:2018



Winnenden, 2020-11-09

Alexander Krug / Managing Director
Autorisé à compiler la documentation technique.
Techtronic Industries GmbH
Max-Eyth-Straße 10, 71364 Winnenden, Germany

SYMBÔLES



Veillez lire avec soin le mode d'emploi avant la mise en service



Toujours porter des lunettes protectrices en travaillant avec la machine.



Force de traction



ATTENTION! AVERTISSEMENT! DANGER!



Avant tous travaux sur l'appareil retirer l'accu interchangeable.



Tenir les mains à distance de l'outil de coupe et autres pièces mobiles. Les doigts peuvent pénétrer dans le mécanisme de coupe et être sectionnés ou blessés.



Accessoires - Ces pièces ne font pas partie de la livraison. Il s'agit là de compléments recommandés pour votre machine et énumérés dans le catalogue des accessoires.



Les dispositifs électriques, les batteries et les batteries rechargeables ne sont pas à éliminer dans les déchets ménagers. Les dispositifs électriques et les batteries sont à collecter séparément et à remettre à un centre de recyclage en vue de leur élimination dans le respect de l'environnement. S'adresser aux autorités locales ou au détaillant spécialisé en vue de connaître l'emplacement des centres de recyclage et des points de collecte.



Tension



Courant continu



Marque de conformité européenne



Marque de conformité britannique



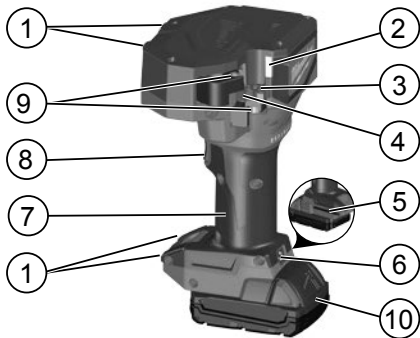
Marque de conformité ukrainienne



Marque de conformité d'Eurasie



DATI TECNICI Cesoia per barre filettate	M18 BLTRC
Numero di serie	4775 24 02... ... 000001-999999
Tensione batteria	18 V
Area di taglio Acciaio	M 6 x 1 M 8 x 1,25 M 10 x 1,5 M 12 x 1,75
Area di taglio Acciaio inossidabile	M 6 x 1 M 8 x 1,25 M 10 x 1,5
Peso secondo la procedura EPTA 01/2014 (Li-Ion 2,0 Ah...12,0 Ah)	3,9 kg...5,0 kg
Temperatura ambiente consigliata per il funzionamento	-18°C ... +50°C
Batterie consigliate	M18B... M18HB...
Caricatori consigliati	M12-18...
Informazioni sulla rumorosità	
Valori misurati conformemente alla norma EN 62841. La misurazione A del livello di pressione acustica dell'utensile è di solito di:	
Livello di rumorosità (Incertezza della misura K=3dB(A))	75,27 dB (A)
Potenza della rumorosità (Incertezza della misura K=3dB(A))	86,27 dB (A)
Utilizzare le protezioni per l'udito!	
Informazioni sulle vibrazioni	
Valori totali delle oscillazioni (somma di vettori in tre direzioni) misurati conformemente alla norma EN 62841	
Valore di emissione dell'oscillazione a_h	0,48 m/s ²
Incertezza della misura K=	1,5 m/s ²



Descrizione del dispositivo

- | | |
|---------------------------|--|
| ① Supporti da banco | ⑥ Rilascio levetta di scatto |
| ② LED | ⑦ Impugnatura
Superficie di presa isolata |
| ③ Matrice fissa | ⑧ Levetta di scatto |
| ④ Matrice amovibile | ⑨ Viti a testa esagonale |
| ⑤ Chiave esagonale (5 mm) | ⑩ Batteria |

AVVERTENZA Leggere tutte le avvertenze di sicurezza, le istruzioni, le illustrazioni e i dati forniti a corredo dell'apparecchio. In caso di mancata osservanza delle seguenti istruzioni vi è il pericolo di provocare una scossa elettrica, di sviluppare incendi e/o di provocare seri incidenti.

Conservare tutte le avvertenze di pericolo e le istruzioni operative per ogni esigenza futura.

AVVERTENZA! NORME DI SICUREZZA

L'operatore di questo dispositivo deve essere istruito sui pericoli specifici associati all'uso del dispositivo e sulle essenziali misure di sicurezza prima di iniziare a lavorare con lo stesso per la prima volta, e successivamente almeno una volta l'anno.

Il gestore deve:

- mettere a disposizione dell'operatore il manuale d'uso e
- assicurarsi che l'operatore l'abbia letto e compreso.

Conservare le etichette e le targhette. Queste contengono informazioni importanti. Sostituirle se sono illeggibili o mancanti.

Usare sempre il buon senso ed essere prudenti durante l'utilizzo degli utensili. Non è possibile anticipare tutte le situazioni che potrebbero causare un risultato pericoloso. Non utilizzare l'utensile se le presenti istruzioni operative non sono state comprese o se si ha l'impressione che il lavoro da eseguire vada oltre le proprie capacità; contattare Milwaukee Tool o uno specialista qualificato per ottenere maggiori informazioni o istruzioni.

Non lavorare sulle parti sotto tensione. Il dispositivo NON è isolato.

Tenere le mani e abiti larghi lontano dagli utensili di taglio e da altre parti mobili. Sussiste il rischio di gravi lesioni, tra cui la recisione degli arti.

Usare equipaggiamento di protezione. Durante l'uso dell'apparecchio utilizzare sempre gli occhiali di protezione. Si consiglia di indossare indumenti di protezione come maschera antipolvere, guanti di protezione, scarpe antiscivolo robuste, casco e cuffie di protezione acustica.

AVVERTENZA!

Il livello di vibrazioni indicato nelle presenti istruzioni è stato misurato in conformità con un procedimento di misurazione codificato nella EN 62841 e può essere utilizzato per un confronto tra attrezzi elettrici. Inoltre si può anche utilizzare per una valutazione preliminare della sollecitazione da vibrazioni.

Il livello di vibrazioni indicato rappresenta le applicazioni principali dell'attrezzo elettrico. Se viceversa si utilizza l'attrezzo elettrico per altri scopi, con accessori differenti o con una manutenzione insufficiente, il livello di vibrazioni può risultare diverso. E questo può aumentare decisamente la sollecitazione da vibrazioni lungo l'intero periodo di lavorazione.

Ai fini di una valutazione precisa della sollecitazione da vibrazioni si dovrebbero tenere presente anche i periodi in cui l'apparecchio rimane spento oppure, anche se acceso, non viene effettivamente utilizzato. Ciò può ridurre notevolmente la sollecitazione da vibrazioni lungo l'intero periodo di lavorazione.

Stabilite misure di sicurezza supplementari per la tutela dell'operatore dall'effetto delle vibrazioni, come ad esempio: manutenzione dell'attrezzo elettrico e degli accessori, riscaldamento delle mani, organizzazione dei processi di lavoro.

Per ridurre il rischio di lesioni, indossare occhiali di sicurezza od occhiali con protezioni laterali durante il funzionamento o la manutenzione dell'utensile. Il materiale potrebbe spezzarsi o frantumarsi.

Per prevenire lesioni o danni, evitare l'avvio accidentale del dispositivo.

Non tenere mai l'utensile vicino alle ganasce o alle matrici di taglio.

Prima dell'uso, controllare sempre che non vi siano incrinature o altri segni di usura sulle matrici e le ganasce.

Utilizzare la cesoia per barre filettate, il pacco batterie e il carica-batteria solo se in condizioni tecniche perfette.

Fare immediatamente riparare eventuali danni da un'officina autorizzata.

Prima di iniziare togliere la batteria dalla apparecchiatura.

Non utilizzare l'utensile senza le matrici montate. Le dita potrebbero rimanere schiacciate con o senza le matrici inserite.

Rimuovere tutti gli utensili di regolazione e le chiavi prima di procedere al taglio.

Per evitare lesioni o danni, non immergere mai l'utensile, la batteria rimovibile o il caricabatteria in un liquido e non consentire mai a un liquido di penetrare nell'utensile, nella batteria rimovibile o nel caricabatteria.

Non tagliare il pezzo da lavorare nei punti in cui le dita potrebbero trovarsi in prossimità delle matrici di taglio. Le matrici sono affilate!

Il pezzo da lavorare non deve essere esposto a forze meccaniche.

Per ridurre il rischio di esplosioni, scosse elettriche e danni alla proprietà e all'apparecchiatura, non utilizzare mai oggetti sotto tensione.

L'utensile NON è isolato. Il contatto con un circuito sotto tensione può causare lesioni gravi o la morte.

Le lame delle matrici sono affilate. Tenere le mani lontane dagli utensili da taglio e dalle parti in movimento. Evitare di tagliare piccoli pezzi di materiale, in quanto le mani si avvicineranno troppo alle lame. Pericolo di lacerazione e amputazione.

AVVERTENZA Alcune polveri prodotte durante la levigatura, il taglio, la macinatura, la perforazione e altre attività costruttive contengono sostanze chimiche che causano cancro, malformazioni congenite o altri danni agli apparati riproduttivi. Alcune di queste sostanze chimiche sono:

- piombo presente nelle vernici a base di piombo
- silice cristallina presente in mattoni, cemento e altri prodotti per edilizia, e
- arsenico e cromo presenti nel legname trattato chimicamente.

Il pericolo varia a seconda della frequenza con cui si realizza questo tipo di lavoro. Per ridurre l'esposizione a queste sostanze chimiche: lavorare in una zona ben ventilata, utilizzare dispositivi di sicurezza omologati, ad esempio maschere antipolvere specificatamente progettate per filtrare le particelle microscopiche.

AVVERTENZA! Per ridurre il rischio d'incendio, di lesioni o di danni al prodotto causati da corto circuito, non immergere mai l'utensile, la batteria ricaricabile o il carica batterie in un liquido e non lasciare mai penetrare alcun liquido all'interno dei dispositivi e delle batterie. I fluidi corrosivi o conduttori come acqua salata, alcuni agenti chimici, agenti candeggianti o prodotti contenenti agenti candeggianti potrebbero provocare un corto circuito.

Le batterie del System M18 sono ricaricabili esclusivamente con i caricatori del System M18. Le batterie di altri sistemi non possono essere ricaricate.

Non aprire né la batteria né il caricatore e conservarli solo in luogo asciutto. Proteggerli dalla umidità.

UTILIZZO CONFORME

Questa resistente cesoia per barre filettate è stata progettata per applicazioni professionali.

AVVERTENZA: Per ridurre il rischio di lesioni, tagliare solo materiale adatto alle matrici di taglio montate (vedere "Specifiche"). Non tagliare altri tipi di materiale.

Questo utensile taglia le barre filettate in maniera precisa e senza sbavature, permettendo di avvitare a mano i dadi senza una finitura supplementare. La qualità del pezzo da lavorare, lo sporco e le incrostazioni potrebbero influire sulla possibilità di serrare manualmente i dadi.

AVVISO: Utilizzare questo utensile per tagliare le dimensioni e i materiali elencati di seguito. Altre dimensioni o materiali danneggerebbero l'utensile e il pezzo da tagliare.

NON azionare o usare l'utensile in caso di umidità o in presenza di liquidi o gas infiammabili.

NON utilizzare l'utensile per tagliare viti temprate, filettature di misure differenti o aste rinforzate.

AVVISO: Il tagliatubi è stato progettato in modo che il dado si avviti manualmente nella barra tagliata. La qualità della filettatura, la finitura superficiale (ad es. zincata o placcata), lo sporco e le incrostazioni possono influire sulla capacità del dado di inserirsi liberamente nella barra tagliata.

AVVERTENZA: Qualora fosse necessario aprire le matrici senza finire il ciclo, non rilasciare mai l'impugnatura principale. Utilizzare l'altra mano per premere il pulsante di inversione fino a quando l'indicatore luminoso non si accende. Riportare la mano sul pezzo da lavorare e tenerlo saldamente in posizione. Quindi premere l'interruttore On/Off principale fino a quando l'utensile si ferma automaticamente per aprire le matrici.

APPLICAZIONE

Indossare sempre occhiali durante l'uso del dispositivo.

Le matrici di taglio sono affilate. Tenere le mani lontane dagli utensili da taglio e dalle parti in movimento. Evitare di tagliare piccoli pezzi di materiale, in quanto le mani si avvicineranno troppo alle matrici. Pericolo di lacerazione e amputazione.

In caso di utilizzo sopra la testa, assicurarsi di mettere in sicurezza ENTRAMBE le estremità della barra per evitare che il pezzo cada una volta tagliato.

Taglio

- Prima dell'uso, accertarsi che le matrici di taglio siano allineate alla dimensione della barra.
 - Assicurarsi che le viti esagonali siano ben serrate.
 - Tagliare materiale pulito per allungare la durata di vita della matrice di taglio.
 - Rimuovere sporco e residui dal materiale e dalle matrici di taglio prima di iniziare l'operazione di taglio.
 - Utilizzare le matrici di taglio solo sui materiali per cui sono state progettate. Gli altri materiali potrebbero danneggiare le matrici di taglio e l'utensile.
 - Inserire il pacco batterie.
 - Per garantire una vita utile adeguata della matrice, la barra filettata deve essere inserita completamente nelle matrici durante il taglio. Per ottenere un lavoro accurato, fissare sempre il pezzo da lavorare prima di tagliarlo.
 - Non eseguire tagli angolari. Questi danneggerebbero le matrici di taglio e il pezzo da lavorare. Tenere il materiale in maniera salda e sicura contro la matrice di taglio fissa al momento dell'avvio del taglio.
 - Per lavorare nella direzione inversa, premere il pulsante di inversione; la spia del pulsante si illuminerà. Premere e tenere premuto l'interruttore On/Off per invertire la direzione.
- AVVISO:** L'utensile passerà alla modalità di inversione solo se le ganasce NON sono completamente aperte.



Pulsante di inversione

Se le ganasce di taglio devono essere aperte senza completare il ciclo di taglio:

1. rilasciare l'interruttore On/Off.
2. premere il pulsante di inversione. La spia del pulsante si accenderà.
3. premere l'interruttore On/Off e tenere fermo l'utensile fino a quando le ganasce di taglio sono completamente aperte. **AVVISO:** L'utensile passerà alla modalità di inversione solo se le ganasce NON sono completamente aperte.

Matrici di taglio inceppate

Sporco e residui possono causare l'inceppamento delle matrici di taglio dopo un'operazione di taglio. Se l'utensile si spegne e le ganasce di taglio sono ancora chiuse:

1. premere il pulsante di inversione e premere l'interruttore On/Off fino a quando le ganasce di taglio sono completamente aperte. Se ciò non funzionasse,
2. rimuovere il pacco batterie
3. rimuovere, pulire e reinserire le matrici di taglio in base alle indicazioni riportate nel paragrafo "Rimozione/sostituzione delle matrici di taglio".

MANUTENZIONE

Prima di iniziare togliere la batteria dall'apparecchio.

Non aprire mai la cesaio per barre filettate, la batteria rimovibile o il caricabatteria. Controllare che la cesaio per barre filettate non presenti eventuali problemi, come rumore, inceppamento o parti in movimento che potrebbero danneggiare l'utensile.

Controllare che non vi siano incrinature o altri segni di usura sugli utensili da taglio.

Rimuovere polvere e residui dalle aperture. Tenere l'impugnatura pulita, asciutta e priva di oli o lubrificanti. Utilizzare soltanto sapone delicato e un panno umido per la pulizia, poiché alcuni detergenti e solventi sono dannosi per i componenti in plastica e le altre parti isolate. Alcuni di questi sono: benzina, trementina, diluente per vernici, diluente nitro, solventi clorurati, ammoniaca e detergenti per uso domestico contenenti ammoniaca. Non utilizzare mai solventi infiammabili o combustibili vicino agli utensili.

Controllare che gli strumenti di taglio siano affilati e sostituirli quando siano usurati.

Sostituire gli strumenti di taglio quando siano scheggiati o danneggiati. Sostituire sempre entrambi gli strumenti di taglio. Utilizzare esclusivamente lame MILWAUKEE.

Per evitare lesioni o danni, non immergere mai l'utensile, la batteria rimovibile o il caricabatteria in un liquido e non consentire mai a un liquido di penetrare nell'utensile, nella batteria rimovibile o nel caricabatteria.

Tener sempre ben pulite le fessure di ventilazione dell'apparecchio. Ulteriori lavori di manutenzione e riparazione possono essere svolti esclusivamente da officine specializzate autorizzate.

Usare solo accessori Milwaukee e pezzi di ricambio Milwaukee. Gruppi costruttivi la cui sostituzione non è stata descritta, devono essere fatti cambiare da un punto di servizio di assistenza tecnica al cliente Milwaukee (vedi depliant garanzia/indirizzi assistenza tecnica ai clienti).

In caso di mancanza del disegno esploso, può essere richiesto al seguente indirizzo: Techtronic Industries GmbH, Max-Eyth-Straße 10, 71364 Winnenden, Germany.

BATTERIE

A temperature superiori ai 50°C, la potenza della batteria si riduce. Evitare di esporre l'accumulatore a surriscaldamento prolungato, dovuto ad esempio ai raggi del sole o ad un impianto di riscaldamento.

Per una ottimale vita utile è necessario ricaricare completamente le batterie dopo l'uso. Batterie non utilizzate per molto tempo devono essere ricaricate prima dell'uso.

Per una più lunga durata, rimuovere le batterie dal caricabatterie quando saranno cariche.

In caso di immagazzinaggio della batteria per più di 30 giorni, immagazzinare la batteria a circa 27°C in ambiente asciutto. Immagazzinare la batteria con carica di circa il 30% - 50%. Ricaricare la batteria ogni 6 mesi.

Non gettare le batterie esaurite sul fuoco o nella spazzatura di casa. La Milwaukee offre infatti un servizio di recupero batterie usate.

Nel vano d'innesto per la batteria del caricatore non devono entrare parti metalliche. (pericolo di cortocircuito).

Non gettare le batterie danneggiate da un carico eccessivo o da temperature alte, l'acido di queste potrebbe fuoriuscire. In caso di contatto con l'acido delle batterie lavarsi immediatamente con acqua e sapone. In caso di contatto con gli occhi risciacquare immediatamente con acqua per almeno 10 minuti e contattare subito un medico.

Non conservare le batterie con oggetti metallici (pericolo di cortocircuito).

TRASPORTO DI BATTERIE AGLI IONI DI LITIO

Le batterie agli ioni di litio sono soggette alle disposizioni di legge sul trasporto di merce pericolosa.

Il trasporto di queste batterie deve avvenire rispettando le disposizioni e norme locali, nazionali ed internazionali.

Gli utilizzatori possono trasportare queste batterie su strada senza alcuna restrizione.

Il trasporto commerciale di batterie agli ioni di litio è regolato dalle disposizioni sul trasporto di merce pericolosa. Le preparazioni al trasporto ed il trasporto stesso devono essere svolti esclusivamente da persone idoneamente istruite. Tutto il processo deve essere gestito in maniera professionale.

Durante il trasporto di batterie occorre tenere conto di quanto segue:

Assicurarsi che i contatti siano protetti ed isolati per evitare cortocircuiti. Accertarsi che il gruppo di batterie non possa spostarsi all'interno dell'imballaggio. Batterie danneggiate o batterie che perdono liquido non devono essere trasportate. Per ulteriori informazioni si prega di contattare il proprio trasportatore.



DICHIARAZIONE DI CONFORMITÀ CE

Assumendone la piena responsabilità, dichiariamo che il prodotto descritto nei "Dati tecnici" è conforme alle pertinenti disposizioni delle direttive

2011/65/EU (RoHS)

2006/42/EC

2014/30/EU

e che sono state applicate le seguenti norme armonizzate

EN 62841-1:2015

EN 55014-1:2017+A11:2020

EN 55014-2:2015

EN IEC 63000:2018



Winnenden, 2020-11-09

Alexander Krug / Managing Director

Autorizzato alla preparazione della documentazione tecnica

Techtronic Industries GmbH

Max-Eyth-Straße 10, 71364 Winnenden, Germany

SIMBOLI



Leggere attentamente le istruzioni per l'uso prima di mettere in funzione l'elettro utensile.



Durante l'uso dell'apparecchio utilizzare sempre gli occhiali di protezione.



Forza di trazione



ATTENZIONE! AVVERTENZA! PERICOLO!



Prima di iniziare togliere la batteria dalla apparecchio.



Tenere le mani lontano dall'utensile da taglio e da altre parti mobili. Le dita potrebbero entrare nel meccanismo di taglio ed essere troncate o ferite.



Accessorio - Non incluso nella dotazione standard, disponibile a parte come accessorio.



I dispositivi elettrici, le batterie e le batterie ricaricabili non devono essere smaltiti con i rifiuti domestici. I dispositivi elettrici e le batterie devono essere raccolti separatamente e devono essere conferiti ad un centro di riciclaggio per lo smaltimento rispettoso dell'ambiente. Chiedere alle autorità locali o al rivenditore specializzato dove si trovano i centri di riciclaggio e i punti di raccolta.

V Voltaggio



Corrente continua



Marchio di conformità europeo



Marchio di conformità britannico



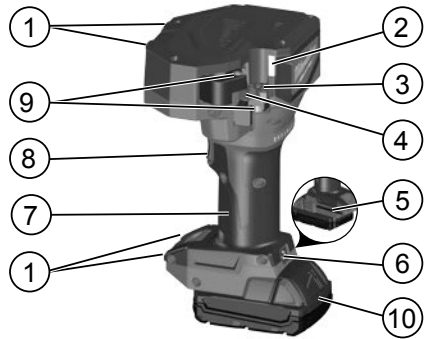
Marchio di conformità ucraino



Marchio di conformità euroasiatico



DATOS TÉCNICOS	M18 BLTRC
Cortador de varilla roscada	
Número de producción	4775 24 02... ... 000001-999999
Voltaje de batería	18 V
Área de corte Acero	M 6 x 1 M 8 x 1,25 M 10 x 1,5 M 12 x 1,75
Área de corte Acero inoxidable	M 6 x 1 M 8 x 1,25 M 10 x 1,5
Peso de acuerdo con el procedimiento EPTA 01/2014 (Li-Ion 2,0 Ah...12,0 Ah)	3,9 kg...5,0 kg
Temperatura ambiente recomendada para la operación	-18°C ... +50°C
Juegos de baterías recomendados	M18B... M18HB...
Cargadores recomendados	M12-18...
Información sobre ruidos	
Determinación de los valores de medición según norma EN 62841. El nivel de ruido típico del aparato determinado con un filtro A corresponde a:	
Presión acústica (Tolerancia K=3dB(A))	75,27 dB (A)
Resonancia acústica (Tolerancia K=3dB(A))	86,27 dB (A)
Usar protectores auditivos!	
Informaciones sobre vibraciones	
Nivel total de vibraciones (suma vectorial de tres direcciones) determinado según EN 62841.	
Valor de vibraciones generadas a _h	0,48 m/s ²
Tolerancia K=	1,5 m/s ²



Descripción del dispositivo

- | | |
|--------------------------|--|
| ① Soportes de sobremesa | ⑦ Manija
Superficie de agarre con aislamiento |
| ② LED | ⑧ Disparador |
| ③ Troquel fijo | ⑨ Tornillos hexagonales de unión |
| ④ Troquel móvil | ⑩ Batería |
| ⑤ Llave hexagonal (5 mm) | |
| ⑥ Disparador de apertura | |

⚠ ADVERTENCIA Lea las indicaciones de seguridad, instrucciones, descripciones y datos que se incluyen en el aparato. En caso de no atenerse a las instrucciones siguientes, ello puede provocar una electrocución, incendio y/o lesiones serias. **Guardar todas las advertencias de peligro e instrucciones para futuras consultas.**

⚠ INSTRUCCIONES DE SEGURIDAD

El operario de este dispositivo debe haber recibido instrucciones sobre los peligros asociados con el uso de este dispositivo y sobre las medidas de seguridad básicas para el mismo por primera vez y, como mínimo, una vez al año posteriormente.

La compañía operadora debe:

- poner el manual de instrucciones a disposición del operario y
- asegurar que el operario lo haya leído y comprendido.

Mantenga las etiquetas y placas de identificación. Estas contienen información importante. Si son ilegibles o faltan, tienen que reemplazarse.

Use siempre el sentido común y tenga cuidado al utilizar herramientas. No es posible anticipar cada situación que podría provocar un resultado peligroso. No utilice esta herramienta si no entiende estas instrucciones de funcionamiento o si cree que el trabajo va más allá de sus capacidades; comuníquese con Milwaukee Tool o con un profesional capacitado para obtener información adicional o capacitación.

No trabajar sobre piezas con tensión eléctrica. El dispositivo NO está aislado.

Mantenga las manos y prendas de ropa ligeras alejadas de las herramientas de corte y otras piezas móviles. Existe riesgo de lesiones graves, incluyendo la amputación de extremidades.

ADVERTENCIA!

El nivel vibratorio indicado en estas instrucciones ha sido medido conforme a un método de medición estandarizado en la norma EN 62841, y puede utilizarse para la comparación entre herramientas eléctricas. También es apropiado para una estimación provisional de la carga de vibración.

El nivel vibratorio indicado representa las aplicaciones principales de la herramienta eléctrica. Si, pese a ello, se utiliza la herramienta eléctrica para otras aplicaciones, con útiles adaptables diferentes o con un mantenimiento insuficiente, el nivel vibratorio puede diferir. Esto puede incrementar sensiblemente la carga de vibración durante todo el periodo de trabajo.

Para una estimación exacta de la carga de vibración deberían tenerse en cuenta también los tiempos durante los que el aparato está apagado o, pese a estar en funcionamiento, no está siendo realmente utilizado. Esto puede reducir sustancialmente la carga de vibración durante todo el periodo de trabajo.

Adopte medidas de seguridad adicionales para la protección del operador frente al efecto de las vibraciones, como por ejemplo: mantenimiento de la herramienta eléctrica y de los útiles adaptables, mantener las manos calientes, organización de los procesos de trabajo.

Utilice un equipo de protección personal. Para trabajar con la máquina, utilizar siempre gafas de protección. Se recomienda utilizar ropa de protección como máscara protectora contra el polvo, guantes protectores, calzado resistente y antideslizante, casco y protección para los oídos.

Para reducir el riesgo de lesiones, use gafas de seguridad o con protectores laterales al operar o reparar la herramienta. El material puede agrietarse o romperse.

Para evitar lesiones y daños, evite el arranque accidental del dispositivo.

Nunca sostenga la herramienta en el área de las mordazas y los troqueles de corte.

Antes de usar, siempre compruebe los troqueles y mordazas para detectar grietas y otros signos de desgaste.

Utilice el cortador de varilla roscada, la batería y el cargador únicamente si están en perfectas condiciones técnicas.

Los deterioros deben ser reparados inmediatamente por un taller especializado autorizado.

Retire la batería antes de comenzar cualquier trabajo el aparato.

No utilice la herramienta sin los troqueles instalados. Los dedos podrían ser aplastados con o sin los troqueles en su lugar.

Retire cualquier herramienta de ajuste o llaves antes de hacer el corte.

Para evitar lesiones y daños, nunca sumerja la herramienta, la batería extraíble o el cargador en líquidos ni permita que penetre líquido en su interior.

No corte longitudes cortas de la pieza de trabajo de modo que los dedos puedan acercarse a los troqueles de corte. ¡Los troqueles están afilados!

La pieza de trabajo no debe estar expuesta a ninguna fuerza mecánica.

Para reducir el riesgo de explosiones, descargas eléctricas y daños a bienes y equipos, no utilizar en objetos bajo tensión.

La herramienta NO está aislada. El contacto con un circuito energizado puede resultar en lesiones graves o la muerte.

Las cuchillas de los troqueles están afiladas. Mantenga las manos alejadas de los bordes cortantes y las piezas móviles. Evite cortar piezas cortas de material que requieran poner las manos cerca de las cuchillas. Pueden producirse laceraciones y amputaciones.

ADVERTENCIA Parte del polvo creado por el lijado eléctrico, el aserrado, el desbaste, el taladrado y otras actividades de construcción contienen sustancias químicas que se sabe que causan cáncer, defectos de nacimiento u otros daños reproductivos. Algunos ejemplos de estos químicos son:

- el plomo de la pintura a base de plomo
- el sílice cristalino de ladrillos y cemento y otros productos de albañilería, y
- el arsénico y el cromo de la madera tratada químicamente.

El riesgo de estas exposiciones varía según la frecuencia con la que realice este tipo de trabajo. Para reducir su exposición a estos productos químicos, trabaje en un área bien ventilada y trabaje con los equipos de seguridad aprobados, como máscaras contra el polvo especialmente diseñadas para filtrar partículas microscópicas.

ADVERTENCIA! Para reducir el riesgo de incendio, lesiones personales y daños al producto debido a un cortocircuito, no sumerja nunca la herramienta, el paquete de baterías o el cargador en líquido ni permita que fluya un fluido dentro de ellos. Los fluidos corrosivos o conductivos, como el agua de mar, ciertos productos químicos industriales y blanqueadores o lejías que contienen, etc., Pueden causar un cortocircuito.

Recargar solamente los acumuladores del Sistema M18 en cargadores M18. No intente recargar acumuladores de otros sistemas.

No abra nunca las baterías ni los cargadores y guárdelos sólo en lugares secos. Protéjalos de la humedad en todo momento.

APLICACIÓN DE ACUERDO A LA FINALIDAD

Este cortador de varilla roscada de gran potencia está diseñado para aplicaciones profesionales.

ADVERTENCIA: Para reducir el riesgo de lesiones, corte solo materiales para los troqueles de corte (consulte «Especificaciones»). No intente cortar otros materiales.

Esta herramienta cortará la varilla roscada limpiamente y sin rebabas, permitiendo que las tuercas se enrosquen a mano sin un acabado adicional. La calidad de la pieza, la suciedad y la rebaba pueden afectar la posibilidad de enrosacar las tuercas a mano.

OBSERVACIÓN: Utilice esta herramienta para cortar los tamaños y materiales enumerados a continuación. Otros tamaños o materiales dañarán la herramienta y la pieza de trabajo.

NO opere o use bajo condiciones húmedas o en presencia de líquidos o gases inflamables.

NO utilice para cortar pernos templados, roscas de diferentes tamaños o varillas de refuerzo.

OBSERVACIÓN: El cortador de varillas se ha diseñado de manera que la tuerca se enrosque a mano en la varilla cortada. La calidad de la rosca, el acabado de la superficie (es decir, galvanizado o enchapado), la suciedad y la rebaba podrían afectar la capacidad de la tuerca para enrosarse libremente en la varilla cortada.

ADVERTENCIA: Si es necesario abrir los troqueles sin completar el ciclo, nunca suelte la manija principal. Use la otra mano para presionar el botón de inversión hasta que se encienda la lámpara indicadora. Vuelva a colocar la mano en la pieza de trabajo y sosténgala firmemente. Luego presione el gatillo principal hasta que la herramienta se detenga automáticamente para abrir los troqueles.

APLICACIÓN

Lleve siempre puestas gafas de protección al utilizar el dispositivo.

Los troqueles de corte están afilados. Mantenga las manos alejadas de los bordes cortantes y las piezas móviles. Evite cortar piezas cortas de material que requieran poner las manos cerca de los troqueles de corte. Pueden producirse laceraciones y amputaciones.

Durante el uso por encima de la cabeza, asegúrese de que AMBOS extremos de la varilla estén seguros para evitar que caigan piezas al finalizar el corte.



Proceso de corte

- Antes de usar, asegúrese de que los troqueles de corte estén alineados para el tamaño de varilla adecuado.
- Asegúrese de que los pernos hexagonales estén bien apretados.
- Haga cortes limpios en el material para prolongar la vida útil del troquel de corte.
- Elimine la suciedad y los restos del material y de los troqueles de corte antes de realizar el corte.
- Use los troqueles de corte únicamente en el material para el que fueron diseñados. Otros materiales podrían dañar los troqueles y la herramienta de corte.
- Inserte la batería.
- Para garantizar una vida útil adecuada del troquel, la varilla roscada debe estar en contacto completo con los troqueles durante el corte. Para un trabajo preciso, asegure siempre la pieza de trabajo antes de cortar.
- No intente realizar cortes en ángulo. Dañará los troqueles de corte y la pieza de trabajo. Sostenga el material con firmeza y seguridad contra el troquel de corte fijo cuando comience el corte.
- Para operar en sentido inverso, presione el botón de inversión; la luz del botón se encenderá. Mantenga presionado el gatillo para retroceder.
OBSERVACIÓN: La herramienta solo entrará en modo de inversión si las mordazas NO están completamente abiertas.

Botón de inversión

Si es necesario abrir las mordazas de corte sin completar el ciclo de corte:

1. suelte el gatillo.
2. Presione el botón de inversión. La luz del botón se encenderá.
3. Tire del gatillo y sostenga la herramienta firmemente hasta que las mordazas de corte se abran completamente. OBSERVACIÓN: La herramienta solo entrará en modo de inversión si las mordazas NO están completamente abiertas.

Troqueles de corte atascados

La suciedad y los residuos pueden hacer que los troqueles de corte se atascen entre sí después de un corte. Si la herramienta se apaga y las mordazas de corte aún están cerradas:

1. presione el botón de inversión y tire del gatillo hasta que las mordazas de corte se abran completamente. Si esto no funciona,
2. Retire la batería
3. Retire, limpie y vuelva a instalar los troqueles de corte de acuerdo con la sección «Extracción/Sustitución de los troqueles de corte».

MANTENIMIENTO

Retire la batería antes de comenzar cualquier trabajo el aparato.

Nunca abra el cortador de varilla roscada, la batería extraíble o el cargador. Verifique que el cortador de varilla roscada no presente problemas, como ruidos o atascos en las piezas móviles que podrían estar afectando la herramienta.

Compruebe las herramientas de corte en busca de grietas u otros signos de desgaste.

Limpie el polvo y los residuos de las aberturas. Mantenga el mango limpio, seco y libre de aceite o grasa. Use solo jabón suave y un paño húmedo para limpiar, ya que ciertos productos de limpieza y disolventes son perjudiciales para los plásticos y otras partes aisladas. Algunos de estos incluyen gasolina, aguarrás, diluyente de lacas, diluyente de pintura, solvente de limpieza clorado, amoníaco y detergentes domésticos que contienen amoníaco. Nunca use solventes inflamables o combustibles alrededor de las herramientas. Compruebe que las herramientas de corte estén afiladas y reemplace las que estén gastadas.

Reemplace las herramientas de corte cuando se astillen o se dañen. Reemplace siempre las herramientas de corte en su totalidad. Utilice únicamente cuchillas MILWAUKEE.

Para evitar lesiones y daños, nunca sumerja la herramienta, la batería extraíble o el cargador en líquidos ni permita que penetre líquido en su interior.

Las ranuras de ventilación de la máquina deben estar despejadas en todo momento.

Cualquier otra tarea de mantenimiento o reparación solo puede ser llevada a cabo por un taller técnico autorizado.

Utilice solamente accesorios y repuestos Milwaukee. En caso de necesitar reemplazar componentes no descritos, contacte con cualquiera de nuestras estaciones de servicio Milwaukee (consultar lista de servicio técnicos)

En caso necesario, puede solicitar un despiece de la herramienta. Por favor indique el número de impreso que hay en la etiqueta y pida el despiece a la siguiente dirección: Techtronic Industries GmbH, Max-Eyth-Straße 10, 71364 Winnenden, Germany.

BATERIA

Las temperaturas superiores a 50°C reducen el rendimiento de la batería. Evite una exposición excesiva a fuentes de calor o al sol (riesgo de sobrecalentamiento).

Los puntos de contacto de los cargadores y las baterías se deben mantener limpios.

Para un tiempo óptimo de vida, deberán cargarse las baterías completamente después de su uso. Las baterías no utilizadas durante cierto tiempo deben ser recargadas antes de usar.

Para garantizar la máxima capacidad y vida útil, las baterías recargables se deberían retirar del cargador una vez finalizada la carga.

En caso de almacenar la batería recargable más de 30 días, Almacenar la batería recargable en un lugar seco a una temperatura de aproximadamente 27°C. Almacenar la batería recargable con un estado de carga del 30% y 50% aproximadamente. Recargar la batería cada 6 meses.

No tire las baterías usadas a la basura ni al fuego. Los Distribuidores Milwaukee ofrecen un servicio de recogida de baterías antiguas para proteger el medio ambiente.

No almacene la batería con objetos metálicos (riesgo de cortocircuito).

En caso de sobrecarga o alta temperatura, pueden llegar a producirse escapes de ácido provenientes de la batería. En caso de contacto con éste, limpie inmediatamente la zona con agua y jabón. Si el contacto es en los ojos, límpiese concienzudamente con agua durante 10 minutos y acuda inmediatamente a un médico

No introduzca en la cavidad del cargador objetos metálicos (riesgo de cortocircuito).



TRANSPORTE DE BATERÍAS DE IONES DE LITIO

Las baterías de iones de litio caen bajo las disposiciones legales relativas al transporte de mercancías peligrosas.

El transporte de estas baterías recargables debe llevarse a cabo, observando las normas y disposiciones locales, nacionales e internacionales.

Los consumidores pueden transportar estas baterías recargables sin el menor reparo en la calle.

El transporte comercial de baterías recargables de iones de litio por empresas de transportes está sometido a las disposiciones del transporte de mercancías peligrosas. Las preparaciones para el envío y el transporte deben ser llevados a cabo exclusivamente por personas instruidas adecuadamente. El proceso completo debe ser supervisado por personal competente.

Los siguientes puntos se deben observar para el transporte de las baterías recargables:

Se debe asegurar que los contactos estén protegidos y aislados para evitar que se produzcan cortocircuitos. Preste atención a que el conjunto de baterías recargables no se pueda desplazar dentro del envase. Las baterías recargables deterioradas o derramadas no se deben transportar. Rogamos que para cualquier información adicional se dirija a su empresa de transportes.

DECLARACION DE CONFORMIDAD CE

Declaramos bajo nuestra única responsabilidad que el producto descrito bajo „Datos técnicos“ cumple todas las disposiciones pertinentes de las directivas

2011/65/EU (RoHS)

2006/42/EC

2014/30/EU

y que se han implementado y estándares

EN 62841-1:2015

EN 55014-1:2017+A11:2020

EN 55014-2:2015

EN IEC 63000:2018



Winnenden, 2020-11-09

Alexander Krug / Managing Director

Autorizado para la redacción de los documentos técnicos.

Techtronic Industries GmbH

Max-Eyth-Straße 10, 71364 Winnenden, Germany

SÍMBOLOS



Lea las instrucciones detenidamente antes de conectar la herramienta



Para trabajar con la máquina, utilizar siempre gafas de protección.



Fuerza de tracción



¡ATENCIÓN! ¡ADVERTENCIA! ¡PELIGRO!



Retire la batería antes de comenzar cualquier trabajo el aparato.



Mantenga alejadas las manos de la herramienta de corte y de otras piezas móviles. Los dedos pueden entrar en contacto con el mecanismo de corte y quedar amputados o lesionados.



Accesorio - No incluido en el equipo estándar, disponible en la gama de accesorios.



Los electrodomésticos y las baterías/acumuladores no se deben eliminar junto con la basura doméstica. Los aparatos eléctricos y los acumuladores se deben recoger por separado y se deben entregar a una empresa de reciclaje para una eliminación respetuosa con el medio ambiente. Infórmese en las autoridades locales o en su tienda especializada sobre los centros de reciclaje y puntos de recogida.



Tensión



Corriente continua



Marcado de conformidad europeo



Marcado de conformidad británico



Marcado de conformidad ucraniano

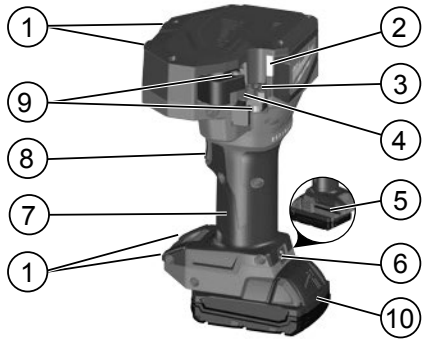


Marcado de conformidad euroasiático



E

CARACTERÍSTICAS TÉCNICAS	
Roscadora	
Número de produção	4775 24 02... ... 000001-999999
Tensão do acumulador	18 V
Área de corte Aço	M 6 x 1 M 8 x 1,25 M 10 x 1,5 M 12 x 1,75
Área de corte Aço inoxidável	M 6 x 1 M 8 x 1,25 M 10 x 1,5
Peso nos termos do procedimento-EPTA 01/2014 (Li-Ion 2,0 Ah...12,0 Ah)	3,9 kg...5,0 kg
Temperatura ambiente recomendada para a operação	-18°C ... +50°C
Conjuntos de baterias recomendados	M18B... M18HB...
Carregadores recomendados	M12-18...
Informações sobre ruído	
Valores de medida de acordo com EN 62841. O nível de ruído avaliado A do aparelho é tipicamente:	
Nível da pressão de ruído (Incertez K=3dB(A))	75,27 dB (A)
Nível da potência de ruído (Incertez K=3dB(A))	86,27 dB (A)
Use protectores auriculares!	
Informações sobre vibração	
Valores totais de vibração (soma dos vectores das três direcções) determinadas conforme EN 62841.	
Valor de emissão de vibração a_h	0,48 m/s ²
Incerteza K=	1,5 m/s ²



Descrição do dispositivo

- | | |
|--------------------------|-----------------------------------|
| ① Suportes de bancada | ⑥ Gatilho de libertação |
| ② LED | ⑦ Pega Superfície de pega isolada |
| ③ Cunho fixo | ⑧ Gatilho |
| ④ Cunho móvel | ⑨ Parafusos sextavados |
| ⑤ Chave sextavada (5 mm) | ⑩ Bateria |

⚠ ATENÇÃO Ler todas as indicações de segurança, instruções, representações e dados fornecidos juntamente com o aparelho. O desrespeito das seguintes instruções pode levar a um choque eléctrico, incêndio e/ou graves lesões.

Guarde bem todas as advertências e instruções para futura referência.

⚠ INSTRUÇÕES DE SEGURANÇA

O operador deste dispositivo deve ser instruído quanto aos perigos específicos associados à sua utilização e às medidas essenciais de segurança, antes de trabalhar com o dispositivo pela primeira vez e, pelo menos, uma vez por ano.

A empresa operadora deve:

- disponibilizar o manual de utilização ao operador e
 - assegurar que o operador leu e compreendeu o manual.
- Mantenha as etiquetas e chapas de identificação. Ambas contêm informações importantes. Se estiverem ilegíveis ou em falta, terão de ser substituídas.

Ao utilizar ferramentas, faça-o sempre com bom senso e cautela. Não é possível prever todas as situações potencialmente conducentes a um resultado perigoso. Se não entender estas instruções ou achar que o trabalho excede a sua capacidade, não utilize esta ferramenta. Contacte a Milwaukee Tool ou um profissional credenciado, a fim de obter informações adicionais ou formação.

Não trabalhe em peças com corrente eléctrica ativa. O dispositivo NÃO está isolado.

Manter as mãos e vestuário solto afastados de ferramentas de corte e de outras peças móveis. Há um risco de lesões graves, incluindo corte dos membros. Utilize equipamento de protecção.

Usar sempre óculos de protecção ao trabalhar com a máquina. Vestuário de protecção, bem como máscara de pó, sapatos fechados e antiderrapante, capacete e protecção auditiva são recomendados.

A fim de reduzir o risco de lesões, utilize óculos de segurança ou óculos com protecção lateral enquanto opera ou faz a manutenção da ferramenta. O material pode rachar ou estilhaçar.

ATENÇÃO!

O nível vibratório indicado nestas instruções foi medido em conformidade com um procedimento de medição normalizado na EN 62841 e pode ser utilizado para comparar entre si ferramentas eléctricas. O mesmo é também adequado para avaliar provisoriamente o esforço vibratório.

O nível vibratório indicado representa as principais aplicações da ferramenta eléctrica. Se, no entanto, a ferramenta eléctrica for utilizada para outras aplicações, com outras ferramentas adaptadas ou uma manutenção insuficiente, o nível vibratório poderá divergir. Isto pode aumentar consideravelmente o esforço vibratório ao longo de todo o período do trabalho.

Para uma avaliação exacta do esforço vibratório devem também ser considerados os tempos durante os quais o aparelho está desligado ou está a funcionar, mas não está efectivamente a ser utilizado. Isto pode reduzir consideravelmente o esforço vibratório ao longo de todo o período do trabalho.

Defina medidas de segurança suplementares para proteger o operador do efeito das vibrações, como por exemplo: manutenção da ferramenta eléctrica e das ferramentas adaptadas, manter as mãos quentes, organização das seqüências de trabalho.

Para evitar lesões e danos, evite o arranque acidental do dispositivo.

Nunca pegue na ferramenta pela área onde se encontram as mandíbulas e os cunhos de corte.

Antes de utilizar, verifique sempre os cunhos de corte e as mandíbulas, a fim de ter a certeza de que essas peças se encontram isentas de rachas e outros sinais de desgaste.

Utilize a roscadora, bateria e carregador apenas se estiverem em perfeitas condições técnicas.

Deixe uma oficina especializada reparar os danos imediatamente.

Antes de efectuar qualquer intervenção o aparelho retirar o bloco acumulador.

Não utilize a ferramenta sem os cunhos instalados. O perigo de os dedos serem esmagados existe sempre, quer os cunhos estejam instalados ou não.

Remova quaisquer ferramentas de ajuste e chaves antes de efetuar o corte.

Para evitar lesões e danos, nunca mergulhe a ferramenta, a bateria amovível ou o carregador em líquidos nem permita que entrem líquidos no seu interior.

Não corte pedaços curtos da peça de trabalho de forma a que os dedos possam ficar próximos dos cunhos. Os cunhos são afiados!

A peça de trabalho não pode ser exposta a quaisquer forças mecânicas.

A fim de reduzir o risco de explosões, choques elétricos e danos na propriedade e equipamentos, não utilize em objetos com corrente elétrica ativa.

A ferramenta NÃO é isolada. O contacto com um circuito energizado poderia resultar em lesões graves ou morte.

As lâminas dos cunhos são afiadas. Mantenha as mãos afastadas das arestas de corte e peças móveis. Evite cortar peças de material curtas que façam com que as mãos fiquem próximas das lâminas. Pode ocorrer laceração e amputação.

ATENÇÃO Algumas poeiras originadas pelo lixamento, serragem, rebarbagem, furação e outra atividades de construção contém substâncias químicas causadoras de cancro, deformações congénitas ou outros danos reprodutivos. Alguns exemplos destes produtos químicos são:

- chumbo proveniente de tintas à base de chumbo
- sílica cristalina proveniente de tijolos, cimento e outros produtos de alvenaria, e
- arsénico e cromo provenientes de madeiras tratadas quimicamente.

O seu risco associado a estas exposições é variável, dependendo da quantidade de vezes que realiza este tipo de trabalho. Para reduzir a sua exposição a estes produtos químicos, trabalhe numa área bem ventilada e com equipamento de segurança aprovado, como máscaras de poeira especialmente concebidas para filtrar partículas microscópicas.

ATENÇÃO! Para evitar o risco de incêndio, de feridas ou de danificação do produto causado por um curto-circuito, não imerja a bateria intercambiável ou o carregador em líquidos e assegure-se de que líquidos não penetrem nos aparelhos ou nas baterias. Líquidos corrosivos ou condutivos como água salgada, determinadas substâncias químicas ou produtos que contenham branqueadores podem causar um curto-circuito.

Use apenas carregadores do Sistema M18 para recarregar os acumuladores do Sistema M18. Não utilize acumuladores de outros sistemas.

Carregadores só devem ser utilizados em recintos secos.

UTILIZAÇÃO AUTORIZADA

Esta roscadora para serviços pesados foi concebida para aplicações profissionais.

ATENÇÃO: A fim de reduzir o risco de lesão, corte apenas materiais adequados aos cunhos (consulte as „Especificações“). Não tente cortar outros materiais.

Esta ferramenta realizará o corte de hastes roscadas de forma limpa e sem rebarbas, permitindo que as porcas sejam apertadas à mão sem necessidade de acabamentos adicionais. A qualidade da peça de trabalho, a sujidade e a formação de camadas de resíduos podem afetar a capacidade de apertar as porcas à mão.

NOTA: Utilize esta ferramenta para cortar os tamanhos e materiais abaixo indicados. Outros tamanhos ou materiais danificarão a ferramenta e a peça de trabalho.

NÃO opere ou utilize em condições de humidade ou na presença de gases ou líquidos inflamáveis.

NÃO UTILIZE para cortar parafusos de aço temperado, roscas de tamanhos diferentes ou hastes de reforço.

NOTA: A roscadora foi concebida para que a porca possa ser apertada na haste manualmente. A qualidade da rosca, o acabamento da superfície (ou seja, galvanizado ou metalizado), a sujidade e a formação de camadas de resíduos poderão afetar a capacidade de apertar a porca sem dificuldade na haste roscada.

ATENÇÃO: Se for preciso abrir os cunhos sem concluir o ciclo, nunca solte a pega principal. Utilize a outra mão para premir o botão de inversão até que a lâmpada indicadora se acenda. Volte a colocar a mão na peça de trabalho e segure-a com firmeza. Em seguida, prima o gatilho principal, até que a ferramenta pare automaticamente, a fim de abrir os cunhos.

UTILIZAÇÃO

Quando utilizar o dispositivo, use sempre óculos de proteção.

Os cunhos são afiados. Mantenha as mãos afastadas das arestas de corte e peças móveis. Evite cortar peças curtas de material que façam com que as mãos fiquem próximas dos cunhos de corte. Pode ocorrer laceração e amputação.

Durante a utilização acima da cabeça, certifique-se de que AMBAS as extremidades da haste se encontram seguras, a fim de evitar a queda das partes quando o corte for concluído.

Corte

- Antes da utilização, certifique-se de que os cunhos de corte estão alinhados para o tamanho adequado da haste.
- Certifique-se de que os parafusos sextavados se encontram aparafusados com firmeza.
- Para prolongar a vida-útil da lâmina do cunho, corte materiais limpos.
- Antes de iniciar o corte, limpe a sujidade e resíduos do material e dos cunhos.
- Utilize os cunhos de corte apenas nos materiais para os quais foram concebidos. Outros materiais poderiam danificar os cunhos de corte e a ferramenta.
- Introduza a bateria.
- A fim de garantir uma vida útil adequada do cunho, a haste roscada terá de ter um contacto adequado com os cunhos durante o corte. Para que o trabalho seja realizado com precisão, fixe sempre a peça de trabalho antes de a cortar.
- Não tente fazer cortes angulares. Danificará os cunhos de corte e a peça de trabalho. Ao iniciar o corte, segure o material com firmeza e segurança contra o cunho de corte fixo.
- Para que a ferramenta funcione no sentido inverso, prima o botão de inversão; a luz do botão acender-se-á. Para inverter, prima o gatilho sem o soltar.

NOTA: A ferramenta só entrará no modo de funcionamento inverso se as mandíbulas NÃO estiverem totalmente abertas.



Por

Botão de Inversão

Se for preciso abrir as mandíbulas de corte sem concluir o ciclo de corte:

1. Solte o gatilho.
2. Pressione o botão de inversão. A luz do botão irá ACENDER-SE.
3. Prima o gatilho e segure na ferramenta com firmeza, até que as mandíbulas de corte se abram totalmente. NOTA: A ferramenta só entrará no modo de funcionamento inverso se as mandíbulas NÃO estiverem totalmente abertas.

Cunhos de corte encravados

A sujidade e resíduos poderão fazer com que os cunhos fiquem encravados em conjunto depois de um corte. Se a ferramenta se desligar e as mandíbulas de corte ainda estiverem fechadas:

1. Pressione o botão de inversão e prima o gatilho, até que as mandíbulas de corte se abram totalmente. Se não funcionar,
2. Remova a bateria
3. Remova, limpe e reinstale os cunhos de corte de acordo com o descrito na secção „Remoção/substituição dos cunhos de corte“.



MANUTENÇÃO

Antes de efectuar qualquer intervenção o aparelho retirar o bloco acumulador.

Nunca abra a roscadora, a bateria amovível ou o carregador. Verifique se a roscadora apresenta alguns problemas, como ruídos ou partes móveis encravadas, que possam vir a afetá-la.

Verifique se as ferramentas de corte apresentam fendas e outros sinais de desgaste.

Limpe as poeiras e detritos das aberturas. Mantenha a pega limpa, seca e livre de óleo ou gorduras. Para limpar, utilize apenas um pano húmido e sabão neutro, uma vez que certos produtos de limpeza e solventes são prejudiciais para os plásticos e outras peças isoladas. Entre esses produtos inclui-se a gasolina, terebentina, diluente para verniz, diluente para tintas, solventes de limpeza à base de cloro, amoníaco e detergentes domésticos que contenham amoníaco. Nunca use solventes inflamáveis ou combustíveis nas proximidades das ferramentas.

Verifique se as ferramentas de corte estão afiadas e substitua ferramentas de corte desgastadas.

Substitua as ferramentas de corte quando ficarem lascadas ou danificadas. Substitua sempre as ferramentas de corte como um todo. Utilize apenas lâminas MILWAUKEE.

Para evitar lesões e danos, nunca mergulhe a ferramenta, a bateria amovível ou o carregador em líquidos nem permita que entrem líquidos no seu interior.

Manter desobstruídos os rasgos de ventilação na carcaça da máquina.

Posteriores trabalhos de manutenção e reparação só podem ser efetuados por oficinas de especialistas autorizados.

Utilizar apenas acessórios Milwaukee e peças sobresselentes Milwaukee. Os componentes cuja substituição não esteja descrita devem ser substituídos num serviço de assistência técnica Milwaukee (consultar a brochura relativa à garantia/moradas dos serviços de assistência técnica).

A pedido e mediante indicação da referência que consta da chapa de características da máquina, pode requerer-se um desenho explosivo da ferramenta eléctrica a: Techtronic Industries GmbH, Max-Eyth-Strasse 10, 71364 Winnenden, Germany.

ACUMULADOR

Temperaturas acima de 50°C reduzem a capacidade do bloco acumulador. Evitar exposição prolongada ao sol ou a caloríferos. Manter limpos os contactos eléctricos no carregador e no bloco acumulador.

Para uma vida útil óptima das baterias, terá que carregá-las plenamente após a sua utilização. Acumuladores não utilizados durante algum tempo devem ser recarregados antes da sua utilização.

Para assegurar uma vida útil longa, o pacote de bateria deve ser removido da carregadora depois do carregamento.

Se o pacote de bateria for armazenado por mais de 30 dias; Armazene o pacote de bateria com aprox. 27°C em um lugar seco., Armazene o pacote de bateria com aprox. 30%-50% da carga completa., Carregue o pacote de bateria novamente de 6 em 6 meses.

Não queimar acumuladores gastos nem deitá-los no lixo doméstico. A Milwaukee possui uma eliminação de acumuladores gastos que respeita o meio ambiente.

Não guardar acumuladores junto com objectos metálicos (perigo de curto-circuito).

Em caso de cargas ou temperaturas extremas, um acumulador de substituição danificado poderá verter líquido de bateria. Se entrar em contacto com este líquido, deverá lavar-se imediatamente com água e sabão. Em caso de contacto com os olhos, enxágue-os bem e de imediato durante pelo menos 10 minutos e consulte um médico o mais depressa possível.

Não abrir acumuladores e carregadores. Armazená-los em recintos secos. Protegê-los contra humidade.

TRANSPORTE DE BATERIAS DE IÃO-LÍTIU

Baterias de ião-lítio estão sujeitas às disposições da legislação relativa às substâncias perigosas.

O transporte destas baterias deve ser efetuado de acordo com as disposições e os regulamentos locais, nacionais e internacionais.

O utilizador pode efetuar o transporte rodoviário destas baterias sem restrições.

O transporte comercial de baterias de ião-lítio por terceiros está sujeito aos regulamentos relativos às substâncias perigosas. A preparação do transporte e o transporte devem ser executados exclusivamente por pessoas instruídas e o processo deve ser acompanhado pelos especialistas correspondentes.

Observe o seguinte no transporte de baterias:

Assegure-se de que os contactos terminais estejam protegidos e isolados para evitar um curto-circuito. Assegure-se de que o bloco da bateria esteja protegido contra movimentos na embalagem. Não transporte baterias danificadas ou que tenham fuga. Para instruções mais detalhadas consulte a companhia de transportes

DECLARAÇÃO DE CONFORMIDADE CE

Declaramos, sob a nossa inteira responsabilidade, que o produto descrito em «Dados Técnicos» cumpre todas as disposições relevantes das diretivas

2011/65/EU (RoHS)

2006/42/EC

2014/30/EU

tendo sido seguidas as seguintes normas harmonizadas

EN 62841-1:2015

EN 55014-1:2017+A11:2020

EN 55014-2:2015

EN IEC 63000:2018



Winnenden, 2020-11-09

Alexander Krug / Managing Director

Autorizado a reunir a documentação técnica.

Techtronic Industries GmbH

Max-Eyth-Straße 10, 71364 Winnenden, Germany

SYMBOLE



Leia atentamente o manual de instruções antes de colocar a máquina em funcionamento.



Usar sempre óculos de protecção ao trabalhar com a máquina.



Força de tração



ATENÇÃO! PERIGO!



Antes de efectuar qualquer intervenção o aparelho retirar o bloco acumulador.



Manter as mãos afastadas da ferramenta de corte e de outras peças móveis. Os dedos podem ser esfolados, cortados ou feridos no mecanismo de corte.



Acessório - Não incluído no equipamento normal, disponível como acessório.



Aparelhos eléctricos, baterias/acumuladores não devem ser jogados no lixo doméstico. Os aparelhos eléctricos e as baterias devem ser colectados separadamente e entregues a uma empresa de reciclagem para a eliminação correcta. Solicite informações sobre empresas de reciclagem e postos de colecta de lixo das autoridades locais ou do seu vendedor autorizado.

V

Tensão



Corrente contínua



Marca de Conformidade Europeia



Marca de Conformidade Britânica



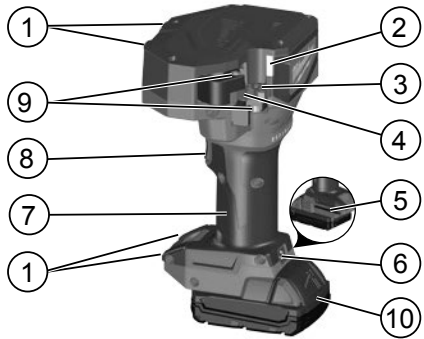
Marca de Conformidade Ucraniana



Marca de Conformidade Euroasiática



TECHNISCHE GEGEVENS Draaieindknipper	M18 BLTRC
Productienummer	4775 24 02... ... 000001-999999
Spanning wisselakku	18 V
Snijbereik Staal	M 6 x 1 M 8 x 1,25 M 10 x 1,5 M 12 x 1,75
Snijbereik Edelstaal	M 6 x 1 M 8 x 1,25 M 10 x 1,5
Gewicht volgens de EPTA-procedure 01/2014 (Li-Ion 2,0 Ah...12,0 Ah)	3,9 kg...5,0 kg
Aanbevolen omgevingstemperatuur voor het bedrijf	-18°C ... +50°C
Aanbevolen accupacks	M18B... M18HB...
Aanbevolen laadtoestellen	M12-18...
Geluids informatie	
Meetwaarden vastgesteld volgens EN 62841. Het kenmerkende A-gewogen geluidsniveau van de machine bedraagt:	
Geluidsdruk niveau (Onzekerheid K=3dB(A))	75,27 dB (A)
Geluidsvermogen niveau (Onzekerheid K=3dB(A))	86,27 dB (A)
Draag oorbeschermers!	
Trillings informatie	
Totale trillingswaarden (vectorsom van drie richtingebepaald volgens EN 62841.	
Trillingsmissiewaarde a_h	0,48 m/s ²
Onzekerheid K=	1,5 m/s ²



Beschrijving van het apparaat

- | | |
|-----------------------|---------------------------------------|
| ① Benchtop-steuken | ⑥ Loskoppelhendel |
| ② Led | ⑦ Handgreep
Geïsoleerde handgrepen |
| ③ Vaste klauw | ⑧ Hendel |
| ④ Beweegbare klauw | ⑨ Zeskantbouten |
| ⑤ Inbussleutel (5 mm) | ⑩ Accu |

⚠ WAARSCHUWING Lees en bekijk alle veiligheidsaanwijzingen, aanwijzingen, afbeeldingen en gegevens die u bij het apparaat ontvangt. Als u de volgende aanwijzingen niet in acht neemt, kunnen een elektrische schok, brand en/of ernstig letsel het gevolg zijn.

Bewaar alle waarschuwingen en voorschriften voor toekomstig gebruik.

⚠ VEILIGHEIDSAADVIEZEN

De gebruiker van dit gereedschap moet zijn geïnstrueerd over de specifieke gevaren met betrekking tot het gebruik van dit gereedschap en in de essentiële veiligheidsmaatregelen voordat hij of zij hiermee aan het werk gaat. Vervolgens moet deze instructie ten minste jaarlijks worden herhaald.

Het bedrijf dat het gebruikt moet:

- zorgen dat de bedieningshandleiding beschikbaar is voor de operator en
- zorgen dat de operator deze heeft gelezen en begrepen.

Laat labels en naamplaatjes zitten. Deze bevatten belangrijke informatie. Ze moeten worden vervangen als ze onleesbaar zijn of ontbreken.

Gebruik altijd uw gezond verstand en wees voorzichtig bij het gebruik van gereedschap. Het is niet mogelijk om elke situatie te anticiperen die zou kunnen leiden tot gevaar. Gebruik dit gereedschap niet als u deze gebruiksaanwijzing niet begrijpt of denkt dat de werkzaamheden te moeilijk voor u zijn; neem contact op met Milwaukee Tool of een opgeleide professional voor aanvullende informatie of training.

Voer geen werkzaamheden uit aan onderdelen die onder stroom staan. Het gereedschap is NIET geïsoleerd.

Houd handen en losse kleding uit de buurt van snijwerktuigen en andere bewegende delen. Er bestaat een kans op ernstig letsel, waaronder het afsnijden van ledematen.

WAARSCHUWING!

De in deze aanwijzingen vermelde trillingsdruk is gemeten volgens een in EN 62841 genormeerde meetmethode en kan worden gebruikt voor de onderlinge vergelijking van apparaten. Hij is ook geschikt voor een voorlopige inschatting van de trillingsbelasting.

De aangegeven trillingsdruk geldt voor de meest gebruikelijke toepassingen van het elektrische apparaat. Wanneer het elektrische gereedschap echter voor andere doeleinden, met andere dan de voorgeschreven hulpstukken gebruikt of niet naar behoren onderhouden wordt, kan de trillingsdruk afwijken. Dit kan de waarde van de trillingsdruk over de hele werkperiode aanzienlijk verhogen.

Voor een nauwkeurige inschatting van de trillingsdruk moeten ook de tijden in aanmerking worden genomen dat het apparaat uitgeschakeld is of weliswaar loopt, maar niet werkelijk in gebruik is. Dit kan de waarde van de trillingsdruk over de hele werkperiode aanzienlijk verminderen.

Bepaal extra veiligheidsmaatregelen ter bescherming van de bediener tegen de inwerking van trillingen, bijvoorbeeld: onderhoud van elektrische gereedschappen en apparaten, warmhouden van de handen, organisatie van de werkprocessen.

Gebruik een beschermende uitrusting. Bij het werken met de machine altijd een veiligheidsbril dragen. Veiligheidskleding zoals stofmasker, veiligheidshandschoenen, stevig en slipvast schoeisel, helm en gehoorbescherming worden aanbevolen.

Om het risico op verwondingen te beperken is het raadzaam om een veiligheidsbril te dragen met zichtschermen tijdens het gebruik van of onderhoud aan het gereedschap. Materiaal kan breken of uiteenspatten.

Voorkom dat het apparaat onbedoeld in werking treedt om schade te voorkomen.

Houd het gereedschap nooit vast in de buurt van de bekken en knipklauwen.

Controleer voor gebruik altijd of de klauwen en bekken scheuren vertonen of andere tekenen van slijtage.

Gebruik de draadeindknipper, accu en oplader alleen als ze in technisch perfecte staat zijn.

Laat beschadigingen onmiddellijk verhelpen in een geautoriseerde werkplaats.

Voor alle werkzaamheden aan de apparat de accu verwijderen.

Gebruik het gereedschap niet zonder geïnstalleerde klauwen. Vingers kunnen met of zonder geplaatste klauwen geplet worden. Verwijder alle afstelgereedschappen en sleutels voordat u begint met knippen.

Om verwondingen te voorkomen mag u het gereedschap, de verwijderbare accu of de lader nooit in een vloeistof dopen of vloeistof in deze apparaten laten doordringen.

Knip werkstukken niet zover in de lengte af, dat vingers in de buurt van de knipklauwen kunnen komen. De klauwen zijn scherp!

Werkstuk mag niet worden blootgesteld aan mechanische krachten.

Om het risico op explosies, elektrische schokken en schade aan eigendommen en apparatuur te beperken, is het raadzaam om het gereedschap niet te gebruiken op voorwerpen die onder stroom staan.

Het gereedschap is NIET geïsoleerd. Contact met een stroomcircuit onder spanning kan resulteren in zwaar letsel of de dood.

Messen op klauwen zijn scherp. Houd de handen uit de buurt van knippende oppervlakken en bewegende delen. Vermijd het doorknippen van korte stukken materiaal, waarbij handen in de buurt van de messen komen. Anders is er kans op ernstig letsel en zelfs verlies van ledematen.

WAARSCHUWING Stof dat wordt gecreëerd door elektrisch schuren, zagen, slijpen, boren en andere bouwwerkzaamheden kan chemische stoffen bevatten, waarvan bekend is dat deze kanker, geboortefwijkingen of andere vruchtbaarheidproblemen veroorzaken. Enkele voorbeelden van deze chemische stoffen zijn:

- lood van loodhoudende verf
- kristallijn silica van bakstenen en cement en andere metselproducten, en
- arseen en chroom van chemisch behandeld hout.

Uw risico op blootstelling hieraan verschilt, afhankelijk van hoe vaak u dit soort werkzaamheden uitvoert. Om blootstelling aan deze chemische stoffen te verlagen: werk in een goed geventileerde ruimte en werk met goedgekeurde veiligheidsuitrusting, zoals ademmaskers die speciaal zijn ontworpen om microscopische deeltjes eruit te filteren.

WAARSCHUWING! Voorkom brand, persoonlijk letsel of materiële schade door kortsluiting en dompel het gereedschap, de wisselakku en het laadtoestel niet onder in vloeistoffen en waarborg dat geen vloeistoffen in de apparaten en accu's kunnen dringen. Corrosieve of geleidende vloeistoffen zoals zout water, bepaalde chemicaliën, bleekmiddelen of producten die bleekmiddelen bevatten, kunnen een kortsluiting veroorzaken.

Wisselakku's van het Akku-Systeem M18 alléén met laadapparaten van het Akku-Systeem M18 laden. Geen akku's van andere systemen laden.

Wisselakku's en laadapparaten niet openen en alleen in droge ruimtes opslaan. Tegen vocht beschermen.

VOORGESCHREVEN GEBRUIK VAN HET SYSTEEM

Deze robuuste draadeindknipper is gemaakt voor professioneel gebruik.

WAARSCHUWING: Om het risico op verwondingen te beperken, mag u alleen materialen knippen voor de knipklauwen (zie „Specificaties“). Probeer geen andere materialen te knippen.

Dit gereedschap knipt de draadstang schoon en zonder bramen af, waardoor moeren met de hand, zonder aanvullende afwerking aangebracht kunnen worden. De kwaliteit, vervuiling en schaal van het werkstuk kunnen van invloed zijn op de mogelijkheid om moeren met de hand aan te brengen.

OPMERKING: Gebruik dit gereedschap voor het knippen van de onderstaande formaten en materialen. Andere formaten of materialen beschadigen het gereedschap en werkstuk.

NIET gebruiken bij natte omstandigheden of in de buurt van ontvlambare vloeistoffen of gassen.

NIET gebruiken voor het knippen van geharde bouten, draadstangen met andere formaten of versterkte stangen.

OPMERKING: De draadeindknipper is zo ontworpen dat de moer met de hand op de afgeknipte stang kan worden aangebracht. Draadkwaliteit, oppervlaktwerking (bijv. verzinkt of beplaat), vuil en schaal kunnen van invloed zijn op de mogelijkheid om de moer vrij op de afgeknipte stang aan te brengen.

WAARSCHUWING: Als de klauwen geopend moeten worden zonder het voltooiën van de cyclus, mag de hoofdhendel nooit worden losgelaten. Gebruik uw andere hand om de omkeerknop in te drukken totdat het indicatorlampje brandt. Breng de hand terug op het werkstuk en houd dit goed vast. Druk vervolgens de AAN/UIT-schakelaar in totdat het gereedschap automatisch stopt om de klauwen te openen.

GEBRUIK

Draag altijd een veiligheidsbril tijdens het gebruik van het gereedschap.

Knipklauwen zijn scherp. Houd de handen uit de buurt van knippende oppervlakken en bewegende delen. Vermijd het doorknippen van korte stukken materiaal, waarbij handen in de buurt van de knipklauwen komen. Anders is er kans op ernstig letsel en zelfs verlies van ledematen.

Tijdens gebruik boven uw hoofd moet u ervoor zorgen dat **BEIDE** einden van de stang vastzitten, zodat voorkomen wordt dat stukken vallen als het doorknippen voltooid is.



Knippen

- Voor gebruik moet u ervoor zorgen dat de knipklauwen zijn uitgelijnd op het correcte stangformaat.
- Zorg ervoor dat de inbusbouten goed zijn aangehaald.
- Knip schoon materiaal om de levensduur van het knipklauwmes te verlengen.
- Veeg vuil en rommel van het materiaal en de knipklauwen voor u begint met knippen.
- Gebruik knipklauwen alleen op het materiaal waarvoor ze zijn bedoeld. Andere materialen kunnen de knipklauwen en het gereedschap beschadigen.
- Plaats de accu.
- Om te zorgen voor correcte levensduur van de klauw, moet de draadstang volledig in contact zijn met de klauwen tijdens het doorknippen. Voor nauwkeurige werkzaamheden moet het werkstuk altijd worden vastgezet voorafgaand aan het knippen.
- Probeer niet te knippen in een hoek. Dit beschadigt de knipklauwen en het werkstuk. Houd het materiaal stevig en tegen de vaste knipklauw als u begint met knippen.
- Om in omkeer te werken, moet u de omkeerknop indrukken; het lampje van de knop wordt verlicht. Houd de AAN/UIT-schakelaar ingedrukt voor omkeren.
OPMERKING: Het gereedschap gaat alleen in de omkeermodus als de bekken NIET volledig open zijn.

Omkeerknop

Als de knipbekken geopend moeten worden zonder de knipcyclus te voltooiën:

1. AAN/UIT-schakelaar loslaten.
2. Druk de omkeerknop in. Het lampje van de knop gaat AAN.
3. Druk op de AAN/UIT-schakelaar en houd het gereedschap stevig vast tot de knipbekken volledig openen. **OPMERKING:** Het gereedschap gaat alleen in de omkeermodus als de bekken NIET volledig open zijn.

Vastzittende knipklauwen

Vuil en rommel kunnen ervoor zorgen dat de knipklauwen tegen elkaar vast komen te zitten na het knippen. Als het gereedschap wordt uitgeschakeld en de knipbekken nog steeds gesloten zijn:

1. Druk op de omkeerknop en druk op de AAN/UIT-schakelaar tot de knipbekken volledig openen. Als dit niet werkt,
2. Verwijder de accu
3. Verwijder en reinig de knipklauwen en plaats deze terug in overeenstemming met „Knipklauwen verwijderen/ vervangen“.

ONDERHOUD

Voor alle werkzaamheden aan de apparat de accu verwijderen.

Open nooit de draaieindknipper, verwijderbare accu of lader. Controleer de draaieindknipper op eventuele problemen zoals geluid of vastlopen van bewegende delen die een negatieve uitwerking kunnen hebben op het gereedschap.

Controleer het knipgereedschap op scheuren en andere tekenen van slijtage.

Verwijder stof en rommel van openingen. Houd de handgriep schoon, droog en vrij van olie of vet. Gebruik alleen milde zeep en een vochtige doek voor het reinigen, aangezien bepaalde reinigingsmiddelen en oplosmiddelen schadelijk zijn voor plastic en andere geïsoleerde onderdelen. Sommige van deze middelen bevatten benzine, terpentine, lakverdunner, verfverdunner, chloorreinigingsmiddelen, ammoniak en huishoudreinigingsmiddelen met ammoniak. Gebruik nooit ontvlambare of brandbare oplosmiddelen in de buurt van gereedschappen.

Controleer of het snijgereedschap scherp is en vervang versleten snijgereedschap.

Verwijder het snijgereedschap wanneer het spanen of beschadigingen veroorzaakt. Vervang snijgereedschap altijd als set. Gebruik uitsluitend bladen van MILWAUKEE.

Om veranderingen te voorkomen mag u het gereedschap, de verwijderbare accu of de lader nooit in een vloeistof dopen of vloeistof in deze apparaten laten doordringen.

Altijd de luchtspleten van de machine schoonhouden.

Ander onderhoud en reparaties mogen uitsluitend worden uitgevoerd door geautoriseerde werkplaatsen.

Gebruik uitsluitend Milwaukee toebehoren en onderdelen. Indien componenten die moeten worden vervangen niet zijn beschreven, neem dan contact op met een officieel Milwaukee servicecentrum (zie onze lijst met servicecentra).

Onder vermelding van het nummer op het machineplaatje is desgewenst een doorsnedetekening van de machine verkrijgbaar bij: Techtronic Industries GmbH, Max-Eyth-Straße 10, 71364 Winnenden, Germany.

AKKU

Een temperatuur boven de 50°C vermindert de capaciteit van de accu. Langdurige verwarming door zon of hitte vermijden.

De aansluitcontacten aan het laadapparaat en de accu schoonhouden.

Voor een optimale levensduur moeten de accu's na het gebruik volledig opgeladen worden. Langere tijd niet toegepaste wisselakku's vóór gebruik altijd naladen.

Voor een zo lang mogelijke levensduur van de accu's dienen deze na het opladen uit het laadtoestel te worden verwijderd.

Bij een langere opslag van de accu dan 30 dagen, accu bij ca. 27 °C droog bewaren, accu bij ca. 30% - 50% van de laadtoestand bewaren, accu om de 6 maanden opnieuw opladen.

Verbruikte akku's niet in het vuur of bij het huisvuil werpen.

Milwaukee biedt namelijk een milieuvriendelijke recyclingmethode voor uw oude akku's.

Wisselakku's niet bij metalen voorwerpen bewaren (kortsluitingsgevaar!).

Onder extreme belasting of extreme temperaturen kan uit de accu accu-vloeistof lopen. Na contact met accu-vloeistof direct afwassen met water en zeep. Bij oogcontact direct minstens 10 minuten grondig spoelen en onmiddellijk een arts raadplegen.

In de wisselakku-opnameschacht van het laadapparaat mogen géén metaaldeeltjes komen (kortsluitingsgevaar!).

TRANSPORT VAN LITHIUM-IONEN-ACCU'S

Lithium-ionen-accu's vallen onder de wettelijke bepalingen inzake het transport van gevaarlijke goederen.

Voor het transport van deze accu's moeten de lokale, nationale en internationale voorschriften en bepalingen in acht worden genomen.

Verbruikers mogen deze accu's zonder meer over de weg transporteren.

Het commerciële transport van lithium-ionen-accu's door expeditiebedrijven is onderhevig aan de bepalingen inzake het transport van gevaarlijke goederen. De verzendingsvoorbereidingen en het transport mogen uitsluitend worden uitgevoerd door dienovereenkomstig opgeleide personen. Het complete proces moet vakkundig worden begeleid.

Onderstaande punten moeten bij het transport van accu's in acht worden genomen:

Waarborg ter vermindering van kortsluitingen dat de contacten beschermd en geïsoleerd zijn. Let op dat het accupack in de verpakking niet kan verschuiven. Beschadigde of lekkende accu's mogen niet worden getransporteerd. Neem voor meer informatie contact op met uw expeditiebedrijf.

EC - VERKLARING VAN OVEREENSTEMMING

We verklaren geheel onder eigen verantwoordelijkheid dat het product in de "Technische data" voldoet aan alle relevante bepalingen van de richtlijnen

2011/65/EU (RoHS)

2006/42/EC

2014/30/EU

en de volgende geharmoniseerde normen zijn gebruikt.

EN 62841-1:2015

EN 55014-1:2017+A11:2020

EN 55014-2:2015

EN IEC 63000:2018



Winnenden, 2020-11-09

Alexander Krug / Managing Director

Gemachtigd voor samenstelling van de technische documenten

Techtronic Industries GmbH

Max-Eyth-Straße 10, 71364 Winnenden, Germany

SYMBOLLEN



Graag instructies zorgvuldig doorlezen vóórdat u de machine in gebruik neemt.



Bij het werken met de machine altijd een veiligheidsbril dragen.



Trekkraacht



OPGELET! WAARSCHUWING! GEVAAR!



Voor alle werkzaamheden aan de apparat de accu verwijderen.



Houd handen uit de buurt van snijwerktuigen en andere bewegende delen. Vingers kunnen in het snijmechanisme terecht komen en worden geamputeerd of u kunt ander letsel aan de vingers oplopen.



Toebehoren - Wordt niet meegeleverd. Is apart leverbaar. Zie hiervoor het toebehorenprogramma.



Elektrische apparaten, batterijen en accu's mogen niet via het huisafval worden afgevoerd. Elektrische apparaten en accu's moeten gescheiden worden verzameld en voor een milieuvriendelijke afvoer worden afgegeven bij een recyclingbedrijf. Informeer bij uw gemeente of bij uw vakhandelaar naar recyclingbedrijven en inzamelpunten.

V

Spanning



Gelijkstroom



Europees symbool van overeenstemming



Brits symbool van overeenstemming



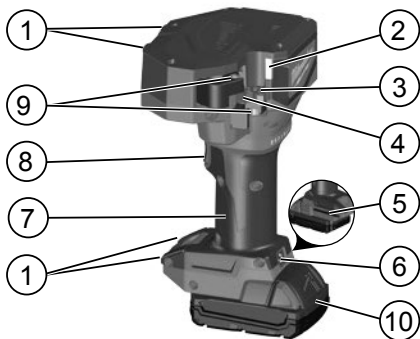
Oekraïens symbool van overeenstemming



Euro-Aziatisch symbool van overeenstemming



TEKNISKE DATA	M18 BLTRC
Gevindstangskærer	
Produktionsnummer	4775 24 02... ... 000001-999999
Udskiftningsbatteriets spænding	18 V
Skæreområde Stål	M 6 x 1 M 8 x 1,25 M 10 x 1,5 M 12 x 1,75
Skæreområde Rustfrit stål	M 6 x 1 M 8 x 1,25 M 10 x 1,5
Vægt svarer til EPTA-procedure 01/2014 (Li-Ion 2,0 Ah...12,0 Ah)	3,9 kg...5,0 kg
Anbefalet omgivelsestemperatur til driften	-18°C... +50°C
Anbefalede batteripakker	M18B... M18HB...
Anbefalede opladere	M12-18...
Støjinformation	
Måleværdier beregnes iht. EN 62841. Værktøjets A-vurderede støjniveau er typisk:	
Lydtrykniveau (Usikkerhed K=3dB(A))	75,27 dB (A)
Lydeffekt niveau (Usikkerhed K=3dB(A))	86,27 dB (A)
Brug høreværn!	
Vibrationsinformation	
Samlede vibrationsværdier (værdisum for tre retninger) beregnet iht. EN 62841.	
Vibrationseksposering a_h	0,48 m/s ²
Usikkerhed K=	1,5 m/s ²



Apparatbeskrivelse

- | | |
|-----------------------|-----------------------|
| ① Bordstøtter | ⑥ Nulstil udløser |
| ② LED | ⑦ Håndtag |
| ③ Fast indsats | Isolerede gribeblader |
| ④ Bevægelig indsats | ⑧ Udløser |
| ⑤ Unbrakonøgle (5 mm) | ⑨ Unbrakbolte |
| | ⑩ Batteri |

⚠ ADVARSEL Læs alle sikkerhedsanvisninger, anvisninger, instruktioner og data, der følger med enheden. Overholder du ikke følgende instruktioner, kan du få elektrisk stød, der kan opstå brand og /eller du kan blive kvæstet alvorligt.

Opbevar alle advarselshenvisninger og instrukser til senere brug.

⚠ SIKKERHEDSHENVISNINGER

Operatøren af dette apparat skal være instrueret i de særlige farer, som er forbundet med brugen af dette apparat, samt i de grundliggende sikkerhedsforanstaltninger, forud for arbejdet med den første gang og mindst en gang årligt efterfølgende.

Den driftsansvarlige virksomhed skal:

- sørge for, at operatøren har adgang til en brugermanual og
- sikre, at operatøren har læst og forstået den.

Vedligehold mærkater og navneplader. De har vigtig information. Hvis de ikke kan læses eller mangler, skal de udskiftes.

Brug altid din sunde fornuft og vær forsigtig, når du bruger værktøj. Det er ikke muligt at forudsige enhver situation, som kan medføre et farligt udfald. Benyt ikke dette værktøj, hvis du ikke forstår denne brugsanvisning eller føler, at arbejdet overstiger dine evner; kontakt Milwaukee Tool eller en uddannet ekspert for yderligere information eller undervisning.

Arbejd ikke på strømførende dele. Apparatet er IKKE isoleret.

Hænder og løstsiddende tøj må ikke komme i nærheden af skære-værktøjer og andre bevægelige dele. Der er fare for alvorlig skade, herunder amputationer af ledemsdele.

Brug beskyttelsesudstyr. Når der arbejdes med maskinen, skal man have beskyttelsesbriller på. Vi anbefaler desuden brug af personlig beskyttelsesudrustning, såsom støvmaske, sikkerhedshandsker, fast og skridsikkert skotøj, hjelm og høreværn.

Bær beskyttelsesbriller eller briller med sideafskærmning for at reducere risikoen for kvæstelser, når du arbejder eller vedligeholder værktøjet. Materialet kan evt. revne eller splintre.

For at undgå kvæstelser og skader, så forebyg at apparatet kan startes ved et uheld.

Hold aldrig værktøjet i området med bakkerne og skæreindsatserne.

Før brug skal indsats og bakker altid efterses for revner og andre tegn på slitage.

Brug kun gevindstangskæreren, batteripakken og opladeren, hvis deres tekniske tilstand er perfekt.

Lad straks beskadigede reparere på et autoriseret værksted.

Ved arbejde inden i maskinen, bør batteriet tages ud.

Benyt ikke værktøjet uden installerede indsats. Fingre kan blive mast med eller uden indsats, som sidder korrekt.

Fjern alle justeringsværktøjer og nøgler før snittet skæres.

For at undgå person- og materialeskade, må værktøjet, det aftagelige batteri eller opladeren aldrig dykkes ned i eller gennemtrænges af væske.

Skær ikke korte længder af arbejdsområdet, hvor fingre evt. kan komme i nærheden af skæreindsatserne. Indsatserne er skarpe!

Arbejdsområdet må ikke udsættes for nogen mekaniske kræfter.

For at minimere risikoen for eksplosioner, elektrisk stød og skade på ejendom og udstyr, må der aldrig skæres i strømførende genstande.

Værktøjet er IKKE isoleret. Kontakten til et kredsløb under strøm kan føre til alvorlig personskade eller død.

Klinger på indsats er skarpe. Hold hænderne væk fra skæresider og bevægelige dele. Undgå at skære korte stykker af materiale, som placerer hænderne tæt ved klingerne. Fare for alvorlig personskade og amputation.

ADVARSEL Nogle former for støv, der opstår pga. elektrisk polering, savning, slibning, boring og andre byggeaktiviteter, indeholder kemikalier, som er kendt for at forårsage kræft, misdannelser eller andre forplantningsmæssige skader. Nogle eksempler på disse kemikalier er:

- bly fra blyholdig maling
- krystallinsk silikat fra mursten og andre murværksprodukter og
- arsen og krom fra kemisk behandlet tømmer.

Din risiko for disse eksponeringer varierer, alt afhængig af hvor ofte du laver denne type arbejde. Sådan mindsker du din eksponering ift. disse kemikalier: Arbejd i et velventileret område og med godkendt sikkerhedsudstyr, som fx de støvmasker, der er specielt designet til at filtrere mikroskopiske partikler.

ADVARSEL! For at undgå risiko for brand, kvæstelser eller beskadigelse af produktet forårsaget af kortslutning må værktøjet, batteripakken eller opladeren ikke nedsænkes i vand. Sørg ligeledes for, at der ikke trænger væske ind i enhederne og batterierne. Korroderende eller ledende væsker, f.eks. saltvand, bestemte kemikalier, blegestoffer eller produkter, som indeholder blegestoffer, kan forårsage kortslutning.

Brug kun M18 ladeapparater for opladning af System M18 batterier. Udskiftningsbatterier og opladere må ikke åbnes og skal opbevares i tørre rum. Beskyt dem mod fugtighed.

TILTÆNKT FORMÅL

Denne kraftfulde gevindstangskærer er designet til professionel brug.

ADVARSEL: For at minimere risikoen for personskade, så skær kun i materiale, som passer til skæreindsatserne (se »Specifikationer«). Prøv ikke at skære i andre materialer.

Dette værktøj vil skære gevindstænger præcist og uden borespårer, hvilket gør det muligt manuelt at udstyre møtrikker med gevind uden yderligere efterbehandling. Arbejdsomnets kvalitet, snavs og størrelse kan påvirke evnen til manuelt at udstyre møtrikker med gevind.

BEMÆRK: Brug dette værktøj til at skære nedennævnte størrelser og materialer. Andre størrelser og materialer vil skade værktøjet og arbejdsområdet.

Betjen eller brug IKKE, hvis der er vådt, og heller ikke i nærheden af brandbare væsker eller gasser.

Brug IKKE til at skære hærdede bolte, forskellige gevindstørrelser eller forstærkede stænger.

BEMÆRK: Stangskæreren er designet på en måde, så den skærede stang manuelt udstyres med møtrikkens gevind. Gevindets kvalitet, overfladens finish (fx galvaniseret eller metalbelagt), snavs og størrelse kan påvirke møtrikkens evne til frit at skabe gevind på den skårede stang.

ADVARSEL: Hvis indsatserne er nødt til at blive åbnet uden at cyklussen gennemføres, så slip aldrig hovedhåndtaget. Brug din anden hånd til at trykke på baglænskappen indtil indikatorlampen lyser. Placer igen hånden på arbejdsområdet og hold det sikkert fast. Tryk så på hovedudløseren indtil værktøjet automatisk stopper for at åbne indsatserne.

ANVENDELSE

Bær altid beskyttelsesbriller, når du bruger apparatet.

Skæreindsatsen er skarpe. Hold hænderne væk fra skæresider og bevægelige dele. Undgå at skære korte stykker af materiale, som placerer hænderne i nærheden af skæreindsatserne. Fare for alvorlig personskade og amputation.

Hvis værktøjet benyttes på hovedet, så sørg for at sikre, at BEGGE stangens ender er sikrede for at undgå at stykker falder ned, når skæringen er gennemført.

Skæring

- Sørg for at sikre, at skæreindsatserne er indstillet til den korrekte stangstørrelse.
 - Sørg for, at unbrakoboltene er strammet sikkert.
 - Skær i rent materiale for at forlænge levetiden for skæreindsatsens klinger.
 - Tør snavs og rester af materiale og skæreindsatsen inden skæringen påbegyndes.
 - Benyt udelukkende skæreindsatserne på det materiale, som de er designet til. Andre materialer kan evt. beskadige skæreindsatsen og værktøjet.
 - Indsæt batteripakken.
 - For at sikre en lang levetid for indsatserne, skal gevindstangen være fuldt udstyret med indsats under skæringen. For præcist arbejde, så fastgør altid arbejdsområdet inden skæringen.
 - Prøv ikke at lave vinklede skæring. Det vil ødelægge skæreindsatsen og arbejdsområdet. Hold materialet godt fast og sikkert mod den faste skæreindsats, når skæringen påbegyndes.
 - For at køre baglæns, så tryk på baglænskappen; knappens lys vil tænde. Tryk og hold udløseren for at køre baglæns.
- BEMÆRK:** Værktøjet vil kun kunne køre baglæns, hvis bakkerne IKKE er helt åbne.



Baglænsknap

Hvis det er nødvendigt at åbne skærebakkerne uden at gennemføre skærecyklussen:

1. Giv slip på udløseren.
2. Tryk på baglænsknapen. Knappens lys vil blive TÆNDT.
3. Slip udløseren og hold værktøjet godt fast indtil skærebakkerne åbner helt. BEMÆRK: Værktøjet vil kun kunne køre baglæns, hvis bakkerne IKKE er helt åbne.

Fastklemt skæreindsats

Snavs og rester kan forårsage, at skæreindsatserne sætter sig fast i hinanden efter en skæring. Hvis værktøjet slukker og skærebakkerne stadig er lukkede:

1. Tryk baglænsknapen og slip udløseren indtil skærebakkerne åbner helt. Hvis det ikke virker, så
2. Fjern batteripakken
3. Fjern, rens og geninstaller skæreindsatserne i overensstemmelse med „Fjernelse/udskiftning af skæreindsatserne“.

VEDLIGEHOLDELSE

Ved arbejde inden i maskinen, bør batteriet tages ud.

Åbn aldrig gevindstangskæreren, det aftagelige batteri eller opladeren. Efterså gevindstangskæreren for evt. problemer, som f.eks. larm eller bevægelige dele, som har sat sig fast, og derved kan påvirke værktøjet.

Efterså skæreværktøjet for revner og andre tegn på slitage.

Rens snavs og rester fra åbninger. Hold håndtaget rent, tørt og fri for olie eller fedt. Benyt kun mild sæbe og en fugtig klud til at rense med, da bestemte rengørings- og opløsningsmidler er skadelige for plastik og andre isolerede dele. Nogle af disse er benzin, terpentin, lakfortyndere, malingsfortyndere, klorholdig rensbenzin, ammoniak og rengøringsmidler til husholdningsbrug, som indeholder ammoniak. Benyt aldrig letantændelige eller brændbare opløsningsmidler i nærheden af værktøjer.

Efterså om skærekanten er skarpe og udskift slidt skæreværktøj. Udskift skæreværktøjet hvis det får brud eller skader. Udskift altid skæreværktøjet som et sæt. Brug kun MILWAUKEE klinger.

For at undgå person- og materialeskade, må værktøjet, det aftagelige batteri eller opladeren aldrig dykkes ned i eller gennemtrænges af væske.

Hold altid maskinens ventilationsåbninger rene.

Yderligere service og reparationer må kun udføres af autoriserede og specialiserede værksteder.

Brug kun Milwaukee-tilbehør og Milwaukee-reservedele.

Komponenter, hvor udskiftningsproceduren ikke er beskrevet, skal skiftes ud hos et Milwaukee-servicested (se brochure garanti/kundeserviceadresser).

Ved opgivelse af type nr. der er angivet på maskinens effektskilt, kan de rekvirere en reservedelstegning, ved henvendelse til: Techtronic Industries GmbH, Max-Eyth-Straße 10, 71364 Winnenden, Germany.

BATTERI

Ved temperaturer over 50°C formindskes batteriets effekt. Undgå direkte sollys og stærk varme.

Tilslutningskontakterne på oplader og udskiftningsbatterier skal holdes rene.

For at opnå en optimal levetid skal de genopladelige batterier oplades fuldt efter brug. Udskiftningsbatterier, der ikke har været brugt i længere tid, efterlades inden brug.

For at sikre en så lang levetid som muligt skal batterierne tages ud af ladeaggregatet efter opladning.

Skal batterierne opbevares længere end 30 dage: Temperatur ca. 27°C i tørre omgivelser., Opbevares ved ca. 30%-50% af ladetilstanden., Batteri skal genoplades hver 6. måned.

Opbrugte udskiftningsbatterier må ikke brændes eller kasseres sammen med alm. husholdningaffald. Milwaukee har en miljørigtig bortskaffelse af gamle udskiftningsbatterier, henvend Dem til Deres forhandler.

Opbevar ikke udskiftningsbatterier sammen med metalgenstande af fare for kortslutning.

I tilfælde af en ekstrem belastning eller ekstrem temperatur kan der flyde batterivæske ud af et beskadiget batteri. Hvis De kommer i berøring med batterivæsken, skal den vaskes godt og grundigt af med vand og sæbe. I tilfælde af øjenkontakt, skal man mindst skylle øjnene godt og grundigt igennem i 10 minutter og omgående opsøge en læge.

Metaldele o.lign må ikke komme i berøring med rummet beregnet for udskiftningsbatteriet (kortslutningsfare).

TRANSPORT AF LITHIUM-BATTERIER

Lithium-batterier er omfattet af lovgivningen om transport af farligt gods.

Transporten af disse batterier skal ske under overholdelse af lokale, nationale og internationale regler og bestemmelser.

Forbrugere må transportere disse batterier på veje uden yderligere krav.

Den kommercielle transport af lithium-batterier ved speditorsfirmaer er omfattet af reglerne for transport af farligt gods. Forberedelsen af forsendelse og transport må kun udføres af tilsvarende trænedte personer. Den samlede proces skal følges af fagfolk.

Følgende punkter skal overholdes ved transport af batterier:

Sørg for at kontakterne er beskyttet og isoleret for at forhindre kortslutninger. Sørg for at batteripakken ikke kan bevæge sig inden for emballagen. Beskadigede eller lækkende batterier må ikke transporteres. Kontakt dit speditorsfirma for at få yderligere oplysninger.



Dan

CE-KONFORMITETSERKLÆRING

Vi erklærer som eneansvarlige, at produktet, som beskrives under „Tekniske data“, opfylder alle de relevante bestemmelser i direktiverne

2011/65/EU (RoHS)

2006/42/EC

2014/30/EU

og følgende harmoniserede standarder er blevet anvendt.

EN 62841-1:2015

EN 55014-1:2017+A11:2020

EN 55014-2:2015

EN IEC 63000:2018



Winnenden, 2020-11-09

Alexander Krug / Managing Director

Autoriseret til at udarbejde de tekniske dokumenter.

Techtronic Industries GmbH

Max-Eyth-Straße 10, 71364 Winnenden, Germany

SYMBOLER



Læs brugsanvisningen nøje før ibrugtagning.



Når der arbejdes med maskinen, skal man have beskyttelsesbriller på.



Trækkraft



VIGTIGT! ADVARSEL! FARE!



Ved arbejde inden i maskinen, bør batteriet tages ud.



Hænder må ikke komme i nærheden af skæreværktøjet og andre bevægelige dele. Fingrene kan komme ind i skæremekanismen og kan blive skåret af eller beskadiges.



Tilbehør - Ikke inkluderet i leveringsomfanget, køb købes som tilbehør.



Elektrisk udstyr eller (genopladelige) batterier må ikke bortskaffes sammen med det almindelige husholdningsaffald. Elektrisk udstyr og genopladelige batterier skal indsamles særskilt og afleveres hos en genbrugsvirksomhed til en miljømæssig forsvarlig bortskaffelse. Spørg de lokale myndigheder eller din forhandler om genbrugsstationer og indsamlingssteder til sådant affald.

V Spænding



Jævnstrøm



Europæisk konformitetsmærke



Britisk konformitetsmærke



Ukrainsk konformitetsmærke

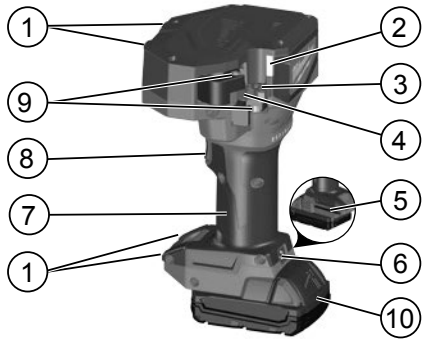


Eurasisk konformitetsmærke



Dan

TEKNISKE DATA	M18 BLTRC
Gjengestagkutter	
Produksjonsnummer	4775 24 02... ... 000001-999999
Spenning vekselbatteri	18 V
Kutteområde	M 6 x 1
Stål	M 8 x 1,25 M 10 x 1,5 M 12 x 1,75
Kutteområde	M 6 x 1
Rustfritt stål	M 8 x 1,25 M 10 x 1,5
Vekt i henhold til EPTA-Prosedyren 01/2014 (Li-Ion 2,0 Ah...12,0 Ah)	3,9 kg...5,0 kg
Anbefalt omgivelsestemperatur for drift	-18°C...+50°C
Anbefalte batteripakker	M18B... M18HB...
Anbefalte ladere	M12-18...
Støyinformasjon	
Måleverdier fastslått i samsvar med EN 62841. Det typiske A-bedømte støynivået for maskinen er:	
Lydtrykknivå (Usikkerhet K=3dB(A))	75,27 dB (A)
Lydeffektnivå (Usikkerhet K=3dB(A))	86,27 dB (A)
Bruk hørselsvern!	
Vibrasjonsinformasjoner	
Totale svingningsverdier (vektorsum fra tre retninger) beregnet jf. EN 62841.	
Svingningsemisjonsverdi a _v	0,48 m/s ²
Usikkerhet K=	1,5 m/s ²



Beskrivelse av verktøyet

- | | |
|---------------------------|--------------------|
| ① Støtte for arbeidsplate | ⑥ Utløser |
| ② LED | ⑦ Håndtak |
| ③ Fast gjengetrimmer | Isolert gripeflate |
| ④ Bevegelig gjengetrimmer | ⑧ Starter |
| ⑤ Unbrakonkey (5 mm) | ⑨ Unbracoskruer |
| | ⑩ Batteri |

⚠ ADVARSEL Les alle sikkerhetsanvisninger, instruksjoner, bildeforklaringer og data som fulgte med maskinen. Hvis du ikke følger følgende anvisninger, kan det oppstå elektriske støt, ild og/eller store skader.

Ta godt vare på alle advarslene og informasjonene.

⚠ SPESEILLE SIKKERHETSHENVISNINGER

Brukeren av denne enheten må være informert om de spesielle farene forbundet ved bruk av enheten og om vesentlige sikkerhetsregler for den tas i bruk. Deretter må brukeren informeres minst én gang årlig.

Den virkende bedriften må:

- gjøre bruksanvisningen tilgjengelig for brukeren og
- forsikre om at brukeren har lest og forstått den.

Etiketter og navneplater må opprettholdes. Disse inneholder viktig informasjon. Dersom de er blitt uleselig eller er borte, må de erstattes med nye.

Du må alltid bruke sunn fornuft og være forsiktig når du bruker verktøyet. Det er ikke mulig å forutse alle situasjoner som kan ha en farlig utgang. Ikke bruk verktøyet dersom du ikke forstår denne bruksanvisningen eller føler at arbeidet er mer enn du er i stand til å håndtere. Ta kontakt med Milwaukee Tool eller en utdannet fagperson for mer informasjon eller opplæring.

Må ikke brukes på emner med elektrisk ladning. Enheten er IKKE isolert.

Hold hender og løstsittende klær unna kutteenheten og andre bevegelige deler. Det er fare for alvorlige skader, blant annet avklemt kroppsdeler.

Bruk verneutstyr. Bruk alltid vernebrille når du arbeider med maskinen. Vernebekledning så vel som støvmaske, vernehansker, fast og sklissikkert skotøy, hjem og hørselsvern er anbefalt.

For å redusere faren for skader må du bruke vernebriller eller heldekkende vernebriller når du bruker eller vedlikeholder verktøyet.

For å unngå skader eller ødeleggelse må du forhindre at verktøyet starter uten grunn.

Hold aldri verktøyet i kloen eller i kutteskivene.

Før bruk må du alltid sjekke at skivene og kloen ikke har sprekker eller andre tegn til slitasje.

Gjengestagkutteren, batteriet og laderen skal kun brukes så lenge de er en i perfekt teknisk stand.

Skader skal med en gang repareres av et autorisert fagverksted.

Ta ut vekselbatteriet før du arbeider på maskinen

Ikke bruk verktøyet uten skivene. Du kan klemme fingrene enten skivene er i verktøyet eller ikke.

Fjern alle setteverktøy og skrunøkler før bruk.

For å forebygge skader eller ødeleggelse dypp aldri verktøyet, det eksterne batteriet eller laderen i væske eller la væske trenge inn i noen av delene.

Ikke kutt i korte emner hvor fingrene kan komme i nærheten av kutteskivene. De er skarpe!

Emnet du arbeider på må ikke utsettes for noen form for mekaniske krefter.

For å redusere risikoen for eksplosjoner, elektrisk støt eller ødeleggelse på innbo eller utstyr må verktøyet ikke brukes på objekter med elektrisk ladning.

Verktøyet er IKKE isolert. Kontakt med en aktiv strømkrets kan føre til alvorlige skader eller døden.

Bladene på skivene er skarpe. Hold hendene på avstand fra skjærekantene og bevegelige deler. Unngå å kutte i korte stykker som gjør at hendene kommer for nær bladene. Det kan føre til vevsskader og amputasjoner.

ADVARSEL Støv fra elektrisk pussing, saging, sliping eller andre byggeaktiviteter kan inneholde kjemikalier som er kjent for å fremme kreft, fødselskader eller forplantningsskader. Noen eksempler på disse kjemikalierne er:

- bly fra blybasert maling
- krystallinsk kiseltsyre fra mursteiner og andre murprodukter, og
- arsenikk og krom fra kjemisk behandlet tømmer.

Risikoen av eksponering til disse varierer avhengig av hvor ofte du utfører denne type arbeid. For å redusere eksponeringen for disse kjemikalierne bør du: arbeide i rom med god ventilasjon, arbeide med godkjent sikkerhetsutstyr, slik som støvmasker som er ekstra designet for å filtrere ut mikroskopiske partikler.

ADVARSEL! For å unngå fare for en brann forårsaket av en kortslutning, av personskader eller skader av produktet, må det forhindres at batteripakken eller laderen dyppes i væsker og også sørges for at ingen væsker kan komme inn i apparatene eller batteriene. Korroderende og ledende væsker som saltvann, visse kjemikalier og blekemidler eller produkt som inneholder blekemidler kan forårsake en kortslutning.

Vekselbatterier av systemet M18 skal kun lades med lader av systemet M18. Ikke lad opp batterier fra andre systemer.

Ikke åpne vekselbatterier og ladere, de skal oppbevares i tørre rom. Beskyttes mot fuktighet.

FORMÅLSMESSIG BRUK

Dette er en gjengestagkutter for tungt arbeid og er ment for profesjonelt bruk.

ADVARSEL: For å redusere risikoen for personskader, må du kun kutte i material som kutteskivene er ment for (se «Spesifikasjoner»). Ikke prøv å kutte i annet material.

Dette verktøyet kutter gjengestenger rent og jevnt, slik at mutterne kan skrues på for hånd uten ekstra etterarbeid. Emne kvaliteten, lort og omfang kan ha innvirkning på hvor lett en kan skru på mutteren for hånd.

OBS: Bruk verktøyet for å kutte i de størrelsene og materialene som er opplistet nedenfor. Andre størrelser og materialer vil ødelegge verktøyet og emnet.

IKKE BRUK i våte omgivelser eller i nærheten av brennbar væske eller gasser.

IKKE BRUK på herdede bolter, stenger av ulike størrelser eller i armeringsjern.

OBS: Gjengestagkutteren er designet slik at mutteren kan skrues på gjengene for hånd. Kvaliteten på gjengene, overflate (f.eks. galvanisert eller elektroplettert), smuss og omfang kan påvirke hvor lett mutteren kan skrues på stangen.

ADVARSEL: Dersom der er nødvendig å åpne skivene for syklusen er avsluttet, må du aldri slippe hovedhåndtaket. Bruk den andre hånden til å trykke på reversknappen helt til indikatorlyset lyser. Ta tak i emnet igjen med den samme hånden og hold det godt. Deretter trykker du på hovedstartbryteren til verktøyet stopper og åpner skivene.

BRUK

Bruk alltid vernebriller når du bruker enheten.

Kutteskivene er skarpe. Hold hendene på avstand fra skjærekantene og bevegelige deler. Unngå å kutte i korte stykker som gjør at hendene kommer for nær bladene. Det kan føre til vevsskader og amputasjoner.

Bruker du verktøyet over hodet, må du forsikre deg om at BEGGE endene av stangen er sikret slik at ikke deler faller ned når kuttet er ferdig.

Kutte

- Før bruk må du forsikre deg om at kutteskivene er tilpasset den riktige stangstørrelsen.
 - Forsikre deg om at unbrakoskruen sitter godt.
 - Kutt i rent materiale for at bladene på kutteskivene skal ha lengre levetid.
 - Tørk smuss og produktrester av materialet og kutteskivene før du begynner med kuttet.
 - Bruk kun kutteskiver i material som de er beregnet for. Andre materialer kan ødelegge kutteskivene og verktøyet.
 - Sett i batteriet.
 - For å sikre en lang levetid for kutteskivene må gjengestangen komme i god kontakt med skivene under kuttet. For et nøyaktig resultat, må du alltid feste emnet godt før du kutter.
 - Ikke prøv å gjøre skrå kutt. Dette vil ødelegge kutteskivene og emnet. Hold materialet godt og sikkert mot de faste gjengetrimmerne når du starter kuttet.
 - For å kjøre i revers trykker du inn reversknappen til lyset på knappen lyser. Trykk på knappen og hold på startbryteren for å reversere.
- OBS:** Verktøyet kan kun settes i revers dersom kloen IKKE er fullstendig åpen.



Reversbryter

Dersom det er nødvendig å åpne skjærekloen før skjæresyklusen er ferdig:

1. Slipp startbryteren.
2. Trykk på reversbryteren. Lyset til bryteren begynner slå seg på.
3. Trekk i startbryteren og hold verktøyet godt til skjærekloen er helt åpen. OBS: Verktøyet kan kun settes i revers dersom kloen IKKE er fullstendig åpen.

Fastlåste kutteskiver

Smuss og produktrester kan føre til at kutteskivene låser seg sammen etter et kutt. Dersom verktøyet slår seg av og skjærekloen fremdeles er lukket:

1. Trykk på reversbryteren og trekk i startbryteren til kloen er helt åpen. Dersom dette ikke virker,
2. Ta ut batteriet
3. Ta ut, rengjør og sett kutteskivene tilbake igjen slik det er beskrevet i «ta ut/bytte kutteskiver».



Nor

VEDLIKEHOLD

Ta ut vekselbatteriet før du arbeider på maskinen

Du må aldri åpne gjengestagkutteren, batteriet eller laderen.

Kontroller at gjengestagkutter ikke har tegn til problemer, slik som lyder, inneklemt bevegelige deler, som kan påvirke verktøyet.

Kontroller at kutteverktøyet ikke har hakk eller andre tegn til slitasje.

Tørk vekk smuss og produktrester fra åpningene. Sørg for at håndtaket er rent, tørt og ikke har rester av olje eller smøring. Når du vasker verktøyet, må du kun bruke mild såpe og en fuktig klut, ettersom visse rengjøringsmidler kan ødelegge plastikken og andre isolerende deler. Noen av midlene kan inneholde bensin, terpentin, lakkfortynnere, malingsfortynnere, klorholdige rengjøringsmidler, ammoniakk og husholdningsvaskemidler som inneholder ammoniakk. Bruk aldri brannfarlige eller brennbare løsemidler i nærheten av verktøyet.

Kontroller at skjæreverktøyet er skarpt, skift skjæreverktøyet, dersom det er slitt.

Skift skjæreverktøyet dersom det har fått hakk eller er ødelagt. Skift alltid hele settet på skjæreverktøyet. Bruk kun MILWAUKEE-blader.

For å forebygge skader eller ødeleggelse dypp aldri verktøyet, det eksterne batteriet eller laderen i væske eller la væske trenge inn i noen av delene.

Hold alltid lufteåpningene på maskinen rene.

Ytterligere vedlikehold og reparasjoner skal kun utføres av autoriserte spesialistverksteder.

Bruk kun Milwaukee tilbehør og Milwaukee reservedeler. Komponenter der utskifting ikke er beskrevet skal skiftes ut hos Milwaukee kundeservice (se brosjyre garanti/kundeserviceadresser).

Ved behov kan du be om en eksplosjonstegning av apparatet hos din kundeservice eller direkte hos Techtronic Industries GmbH, Max-Eyth-Straße 10, 71364 Winnenden, Germany. Oppgi maskintype og det nummeret på typeskiltet.

BATTERIER

En temperatur over 50°C reduserer vekselbatteriets kapasitet. Unngå oppvarming i sol eller ved varmeovner (fyring) i lengre tid.

Hold tilkopplingskontaktene på lader og vekselbatteri rene.

For optimal holdbarhet må batteriene lades opp helt etter bruk. Vekselbatterier som ikke er brukt over lengre tid skal etterlades før bruk.

For å sikre en lengst mulig brukstid av batteriene skal disse etter oppladning taes ut av laderen.

Ved lagring av batteriene lengre enn 30 dager, Lagre batteriet tørt ved ca. 27°C, Lagre batteriet ved en oppladningstilstand på ca. 30%-50%. Lade opp batteriet igjen etter 6 måneder.

Ikke kast brukte vekselbatterier i varmen eller husholdningssavfallet. Milwaukee tilbyr en miljøriktig deponering av gamle vekselbatterier; vennligst spør din fagforhandler.

Ikke oppbevar vekselbatterier sammen med metallgjenstander (kortslutningsfare).

Under ekstreme belastninger og ekstreme temperaturer kan det lekke ut batterivæske fra utskiftbare batterier. Ved berøring med batterivæske, vask umiddelbart med såpe og vann. Ved kontakt med øynene må øynene skylles grundig i rennende vann i minst 10 minutter. Oppsøk lege umiddelbart.

Metaldeler må ikke komme inn i innskyvningsjakten for vekselbatterier på ladere (kortslutningsfare).

TRANSPORT AV LITIUM-ION-BATTERI

Litium-ion-batterier faller under de lovfestede forskriftene om transport av farlig gods.

Transporten av disse batteriene må rette seg etter lokale, nasjonale og internasjonale forskrifter og bestemmelser.

Forbruker har lov å transportere disse batteriene på gaten uten reglementering.

Den kommersielle transport av Litium-ion-batterier av spedisjonsfirma faller under bestemmelsene om transport av farlig gods. Forberedningene av forsendelsen og transport skal utelukkende gjennomføres av personer som har blitt skolert til dette. Hele prosessen skal følges opp av fagfolk.

Følgende punkter skal tas hensyn til ved transport:

Kontroller at kontaktene er beskyttet og isolert for å unngå kortslutninger. Pass på at batteripakken i forpakningen ikke kan skli fram og tilbake. Skadede eller batterier som lekker er det ikke lov å transportere. Ta kontakt med spedisjonsfirma for ytterligere henvisninger.

CE-SAMSVARSKLÆRING

Vi erklærer i alene ansvar at produktet beskrevet i „Teknisk data“ overensstemmer med alle relevante forskrifter til Eu direktiv

2011/65/EU (RoHS)

2006/42/EC

2014/30/EU

og de følgende harmoniserte normative dokumentene. fyrstikker

EN 62841-1:2015

EN 55014-1:2017+A11:2020

EN 55014-2:2015

EN IEC 63000:2018



Winnenden, 2020-11-09

Alexander Krug / Managing Director

Autorisert til å utarbeide den tekniske dokumentasjonen

Techtronic Industries GmbH

Max-Eyth-Straße 10, 71364 Winnenden, Germany

SYMBOLER



Les nøye gjennom bruksanvisningen før maskinen tas i bruk.



Bruk alltid vernebrille når du arbeider med maskinen.



Trekraft



OBS! ADVARSEL! FARE!



Ta ut vekselbatteriet før du arbeider på maskinen



Hold hendene unna kutteenheten og andre bevegelige deler. Fingrene kan komme i klem i kuttemekanismen og kappes av eller bli skadet på annen måte.



Tilbehør - inngår ikke i leveransen, anbefalt komplettering fra tilbehørsprogrammet.



Elektriske apparater, batterier/oppladbare batterier skal ikke kastes sammen med vanlig husholdningsavfall. Elektriske og elektroniske apparater og oppladbare batterier skal samles separat og leveres til miljøvennlig deponering hos en avfallsbedrift. Informer deg hos myndighetene på stedet eller hos din fagforhandler hvor det finnes recycling bedrifter og oppsamlingssteder.

V

Spenning



Likestrøm



Europeisk samsvarsmerke



Britisk samsvarsmerke



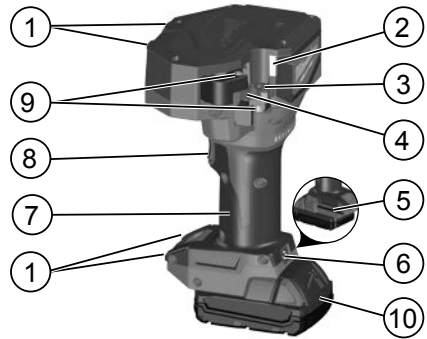
Ukrainsk samsvarsmerke



Euroasiatisk samsvarsmerke



TEKNISKA DATA	M18 BLTRC
Gångstångskap	
Produktionsnummer	4775 24 02... ... 000001-999999
Batterispänning	18 V
Skärområde	M 6 x 1
Stål	M 8 x 1,25 M 10 x 1,5 M 12 x 1,75
Skärområde	M 6 x 1
Rostfritt stål	M 8 x 1,25 M 10 x 1,5
Vikt enligt EPTA 01/2014 (Li-Ion 2,0 Ah...12,0 Ah)	3,9 kg...5,0 kg
Rekommenderad omgivningstemperatur för driften	-18°C ... +50°C
Rekommenderade batterier (Akkupacks)	M18B... M18HB...
Rekommenderade laddare	M12-18...
Bullerinformation	
Mätvärdena har tagits fram baserade på EN 62841. A-värdet av maskinens ljudnivå utgör:	
Ljudtrycksnivå (Onoggrannhet K=3dB(A))	75,27 dB (A)
Ljudeffektsnivå (Onoggrannhet K=3dB(A))	86,27 dB (A)
Använd hörselskydd!	
Vibrationsinformation	
Totala vibrationsvärden (vektorsumma ur tre riktningar) framtaget enligt EN 62841.	
Vibrationsemissionsvärde a _h	0,48 m/s ²
Onoggrannhet K=	1,5 m/s ²



Enhetsbeskrivning

- | | |
|---|------------------------------------|
| ① Bänkstöd | ⑥ Frigörningsavtryckare |
| ② LED | ⑦ Handtag
Isolerad greppyta |
| ③ Fast gångsnitt | ⑧ Avtryckare |
| ④ Rörligt gångsnitt | ⑨ Skruvar med invändigt sexkanthål |
| ⑤ Sexkantnyckel för inre sexkant i skruvar (5 mm) | ⑩ Batteri |

⚠ VARNING Läs alla säkerhetsanvisningar, instruktioner, beskrivningar och uppgifter som du får tillsammans med apparaten. Om nedanstående anvisningar ignoreras finns risk för att elstöt, brand och/eller allvarliga personskador uppstår.

Förvara alla varningar och anvisningar för framtida bruk.

⚠ SÄKERHETSUTRUSTNING

Operatören av denna utrustning måste före första användningen och därefter årligen instrueras om de särskilda faror som är förknippade med användning av denna utrustning och om de grundläggande säkerhetsåtgärder som måste vidtas.

Driftsbolaget måste:

- göra bruksanvisningen tillgänglig för operatören och
- säkerställa att operatören har läst och förstått den.

Håll etiketter och namnskyftar i gott skick. På dessa finns viktig information. Om de blir oläsliga, måste de bytas ut.

Använd alltid sunt förnuft och var försiktig när du använder verktyg. Det är inte möjligt att förutse alla situationer som kan leda till ett farligt resultat. Använd inte det här verktyget om du inte förstår den här bruksanvisningen eller om du känner att arbetet går utöver din förmåga. Kontakta Milwaukee Tool eller en utbildad fackman för ytterligare information eller utbildning.

Arbeta inte på strömförande delar. Utrustningen är INTE isolerad.

Håll händer och löst sittande kläder borta från skärverktyg och andra rörliga delar. Det finns en risk för allvarlig skada, vilket inkluderar avslitning av armar och ben.

Använd skyddsutrustning. Använd alltid skyddsglasögon. Som skyddsutrustning rekommenderar vi t ex en dammskyddsmask, skyddshandskar, stabila och halksäkra skor, hjälm och hörselskydd.

För att minska risken för personskador, ska du använda skyddsglasögon eller glasögon med sidoskydd när du använder eller utför service på verktyget. Material kan spricka eller splittras.

Förhindra oavsiktligt start av utrustningen för att undvika personskadorna och materialskadorna.

Håll aldrig verktyget i området kring backarna och gängsnitten.

Före användning ska du alltid kontrollera gängsnitten och backarna med avseende på sprickor och andra tecken på slitage.

Använd gängstångskapen, batteriet och laddaren endast om de är i ett tekniskt felfritt skick.

Kontakta omedelbart en auktoriserad fackverkstad för reparation om produkten skulle vara skadad.

Drag ur batteripaket innan arbete utföres på maskinen.

Använd inte verktyget utan monterade gängsnitt. Fingrar kan krossas med eller utan gängsnitt på plats.

Ta bort eventuellt inställningsverktyg och skiftnycklar innan du skär.

För att undvika person- eller materialskadorna doppa aldrig verktyget, det löstagbara batteriet eller laddaren i vätska och låt inte vätska penetrera dessa.

Kapa inte arbetsstycket i så korta längder att fingrar kan komma i närheten av gängsnitten. Dessa gängsnitt är vassa!

Arbetsstycket får inte utsättas för några mekaniska krafter.

För att minska risken för explosioner, elektrisk stöt och skador på egendom och utrustning, ska du inte använda utrustningen på strömförande objekt.

Verktyget är INTE isolerat. Kontakt med en strömförande krets kan leda till allvarliga skador eller dödsfall.

Skär på gängsnitt är vassa. Håll händerna borta från skäreappar och rörliga delar. Undvik att kapa materialet i så korta bitar att händerna kommer nära skären. Skärsår eller amputation kan förekomma.

VARNING En del typer av damm som skapas vid eldriven avslipning, sågning, slipning och borrar och annan byggverksamhet, innehåller kemikalier som man vet orsakar cancer, medfödda missbildningar eller andra reproduktionskadorna. Sådana kemikalier är till exempel

- bly från blybaserad målarfärg
- kristallin kvarts från tegelstenar, cement och andra murverksprodukter
- arsenik och krom från kemiskt behandlat byggnadsvirke.

De risker som din exponering för sådant damm medför, beror på hur ofta du utför den här typen av arbete. För att minska din exponering för dessa kemikalier är det viktigt att du arbetar i ett väl ventilerat utrymme och använder godkänd säkerhetsutrustning, som till exempel en dammfiltermask som är speciellt konstruerad för att filtrera bort mikroskopiska partiklar.

VARNING! För att undvika den fara för brand, personskadorna eller produktskadorna som orsakas av en kortslutning, doppa inte ner verktyget, utbytesbatteriet eller laddaren i vätskor och se till att ingen vätska kan tränga in i apparaterna eller batterierna. Korroderande eller ledande vätskor, som saltvatten, vissa kemikalier, blekningsmedel eller produkter som innehåller blekmedel, kan orsaka en kortslutning.

System M18 batterier laddas endast i System M18 laddare. Ladda inte batterier från andra system.

Batterier lagras torrt och skyddas för fukt.

ANVÄND MASKINEN ENLIGT ANVISNINGARNA

Den här extra kraftiga gängstångskapen är konstruerad för professionella användningsområden.

VARNING: För att minska risken för personskadorna, ska du endast kapa material som gängsnitten är avsedda för (se "Specifikationer"). Försök inte att kapa andra material.

Det här verktyget kapar gängstänger rent och gradfritt, vilket gör det möjligt att trä på muttrar för hand utan extra finbearbetning. Arbetsstyckets kvalitet, smuts och glödspån kan inverka på möjligheten att trä på muttrar för hand.

OBSERVERA: Använd det här verktyget för att kapa de storlekar och material som anges nedan. Andra storlekar eller material skadar verktyget och arbetsstycket.

FÅR INTE betjänas eller användas under våta förhållanden eller i närheten av brandfarliga vätskor eller gaser.

FÅR INTE användas för att kapa härdade bultar, gängor av olika storlekar eller armeringsstänger.

OBSERVERA: Gängstångskapen har konstruerats för att muttrarna ska kunna träs på den kapade stängens för hand. Gängans kvalitet och ytbehandling (dvs. varmformzinkad eller pläterad), smuts och glödspån kan inverka på möjligheten att obehindrat trä på muttern på den kapade stängens.

VARNING: Om gängsnitten måste öppnas utan att avsluta cykeln, ska du aldrig släppa huvudhandtaget. Använd din andra hand för att trycka på reverse knappen tills indikatorlampan tänds. Lägg tillbaka handen på arbetsstycket och håll fast det ordentligt. Tryck sedan ner på-/av-knappen tills verktyget stannar automatiskt för att öppna gängsnitten.

ANVÄNDNING

Bär alltid skyddsglasögon när du använder utrustningen.

Gängsnitt är vassa. Håll händerna borta från skäreappar och rörliga delar. Undvik att kapa materialet i så korta bitar att händerna kommer nära gängsnitten. Skärsår eller amputation kan förekomma.

Vid användning över huvudet måste du se till att stängens BÅDA ändrar är säkrade, så att inga bitar faller ner när snittet är klart.

Skärning

- Säkerställ före användningen att gängsnitten är inställda för rätt stångstorlek.
- Se till att de sexkantiga skruvarna är ordentligt åtdragna.
- Kapa rent material för att förlänga livslängden på gängsnittens skär.
- Torka bort smuts och skräp från materialet och gängsnitten innan du börjar kapa.
- Använd gängsnitten endast på de material som de är konstruerade för. Andra material kan skada gängsnitten och verktyget.
- Sätt i batteriet.
- För att säkerställa gängsnittens normala livslängd, ska gängstången och gängsnitten gripa i varandra helt och hållet när snittet utförs. För noggrant arbete ska arbetsstycket alltid säkras innan det kapas.
- Försök inte att göra vinkelsnitt. Det skadar gängsnitten och arbetsstycket. Håll fast materialet ordentligt och säkert mot det fasta gängsnittet när du börjar att kapa.
- För att köra i omvänd riktning ska du trycka på reverse knappen. Lampan i knappen tänds. Tryck ner på-/av-knappen och håll den nedtryckt för att köra i omvänd riktning. **OBSERVERA:** Verktyget övergår i omvänt läge endast om backarna INTE är helt öppna.



Sve

Reverse knapp

Gör så här om gängbackarna måste öppnas utan att avsluta kapcykeln:

1. Släpp på-/av-knappen.
2. Tryck på reverse knappen. Lampan i knappen tänds.
3. Tryck ner på-/av-knappen och håll fast verktyget ordentligt tills gängbackarna är helt öppna. OBSERVERA: Verktyget övergår i omvänt läge endast om backarna INTE är helt öppna.

Om gängsnitten fastnar

Smuts och skräp kan göra att gängsnitten fastnar i varandra efter ett snitt. Gör så här om verktyget stängs av och gängbackarna fortfarande är stängda:

1. Tryck på reverse knappen och tryck ner på-/av-knappen tills gängbackarna är helt öppna. Om detta inte fungerar gör du så här:
2. Ta bort batteriet.
3. Ta bort, rengör och montera tillbaka gängsnitten enligt avsnittet om borttagning/utbyte av gängsnitt.



SKÖTSEL

Drag ur batteripaket innan arbete utföres på maskinen.

Öppna aldrig gängstångskapen, det utbytbara batteriet eller laddaren. Kontrollera gängstångskapen med avseende på problem som till exempel oljud eller att rörliga delar fastnar, vilket kan påverka verktyget.

Kontrollera skärverktygen för sprickor och andra tecken på slitage.

Rensa bort damm och skräp från öppningar. Håll handtaget rent, torrt och fritt från olja eller fett. Använd bara mild tvål och en fuktig trasa för rengöring, eftersom vissa rengöringsmedel och lösningsmedel för rengöring är skadliga för plaster och andra isolerade delar. Till dessa hör bland annat bensin, terpentin, förtunningsmedel för färger och lacker, klorerade lösningsmedel för rengöring, ammoniak och hushållsrengöringsmedel som innehåller ammoniak. Använd aldrig lättantändliga eller brännbara lösningsmedel i närheten av verktyg.

Kontrollera att skärverktygen är vassa och ersätt slitna skärverktyg.

Ersätt skärverktygen när de har sprickor eller har skadats. Ersätt alltid skärverktygen som ett set. Använd endast MILWAUKEE-blad.

För att undvika person- eller materialskador doppa aldrig verktyget, det löstagbara batteriet eller laddaren i vätska och låt inte vätska penetrera dessa.

Se till att motorhöljets luftslitsar är rena.

Andra underhållsarbeten och reparationer får endast utföras av auktoriserade specialverkstäder.

Använd endast Milwaukee-tillbehör och Milwaukee-reservdelar. Komponenter, för vilka inget byte beskrivs, skall bytas ut hos Milwaukee-kundtjänst (se broschyren garanti-/kundtjänstadresser).

Vid behov av sprängskiss, kan en sådan, genom att uppges maskinens art. nr. (som finns på typskylten) erhållas från: Techtronic Industries GmbH, Max-Eyth-Straße 10, 71364 Winnenden, Germany.

BATTERIER

En temperatur över 50°C reducerar batteriets effekt. Undvik längre uppvärmning tex i solen eller nära ett element.

Se till att anslutningskontaktarna i laddaren och på batteriet är rena.

För att batterierna ska få lång livslängd ska de laddas fulla efter användning. Batteri som ej använts på länge måste laddas före nytt bruk.

För att få en så lång livslängs som möjligt bör laddningsbara batterier avlägsnas från laddaren när de är laddade.

Om laddningsbara batterier lagras längre än 30 dagar, Lagra batteriet torrt och vid ca 27°C., Lagra batteriet vid ca 30%-50% av laddningskapaciteten., Ladda batterierna på nytt var 6:e månad.

Kasta inte förbrukade batterier. Lämna dem till Milwaukee Tools för återvinning.

Förvara ej batteriet ihop med metallföremål, kortslutning kan uppstå.

Under extrem belastning eller extrem temperatur kan batterivätska tränga ut ur skadade utbytesbatterier. Vid beröring med batterivätska tvätta genast av med vatten och tvål. Vid ögonkontakt spola genast i minst 10 minuter och kontakta genast läkare.

Se upp så att inga metallföremål hamnar i laddarens batterischakt, kortslutning kan uppstå.

TRANSPORTERA LITIJON-BATTERIER

För litiumjon-batterier gäller de lagliga föreskrifterna för transport av farligt gods på väg.

Därför får dessa batterier endast transporteras enligt gällande lokala, nationella och internationella föreskrifter och bestämmelser.

Konsumenter får transportera dessa batterier på allmän väg utan att behöva beakta särskilda föreskrifter.

För kommersiell transport av litiumjon-batterier genom en speditorsfirma gäller emellertid bestämmelserna för transport av farligt gods på väg. Endast personal som känner till alla tillämpliga föreskrifter och bestämmelser får förbereda och genomföra transporten. Hela processen ska följas upp på fackmässigt sätt.

Följande ska beaktas i samband med transporten av batterier:

Säkerställ att alla kontakter är skyddade och isolerade för att undvika kortslutning. Se till att batteripacken inte kan glida fram och tillbaka i förpackningen. Transportera aldrig batterier som läcker, har runnit ut eller är skadade. För mer information vänligen kontakta din speditorsfirma.

CE-FÖRSÄKRAN

Vi tar på vårt ansvar att produkten som har beskrivits under Tekniska data uppfyller alla relevanta villkor i direktiven

2011/65/EU (RoHS)

2006/42/EC

2014/30/EU

samt att följande harmoniserade standarder har använts.

EN 62841-1:2015

EN 55014-1:2017+A11:2020

EN 55014-2:2015

EN IEC 63000:2018



Winnenden, 2020-11-09

Alexander Krug / Managing Director

Befullmäktigad att sammanställa teknisk dokumentation.

Techtronic Industries GmbH

Max-Eyth-Straße 10, 71364 Winnenden, Germany

SYMBOLER



Läs instruktionen noga innan du startar maskinen.



Använd alltid skyddsglasögon.



Dragkraft



OBSERVERA! VARNING! FARA!



Drag ur batteripaket innan arbete utföres på maskinen.



Håll händer borta från skärverktyg och andra rörliga delar. Fingrar kan komma in i skärmekanismen och skäras av eller skadas.



Tillbehör - Ingår ej i leveransomfånget, erhålles som tillbehör.



Elektriska maskiner, batterier/uppladdningsbara batterier och får inte slängas tillsammans med de vanliga hushållsoporna. Elektriska maskiner och uppladdningsbara batterier ska samlas separat och lämnas till en avfallsstation för miljövänlig avfallshantering. Kontakta den lokala myndigheten respektive kommunen eller fråga återförsäljare var det finns speciella avfallsstationer för elskrot.

V Spänning



Likström



Europeiskt konformitetsmärke



Britiskt konformitetsmärke



Ukrainskt konformitetsmärke

001



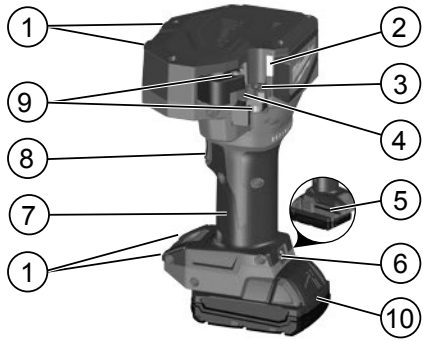
Euroasiatiskt konformitetsmärke



TEKNISET ARVOT Tankoleikkuri	M18 BLTRC
Tuotantnumero	4775 24 02... ... 000001-999999
Jännite vaihtoakku	18 V
Leikkausolottuvuus Teräkseen	M 6 x 1 M 8 x 1,25 M 10 x 1,5 M 12 x 1,75
Leikkausolottuvuus Ruostumaton teräs	M 6 x 1 M 8 x 1,25 M 10 x 1,5
Paino EPTA-meneteltylön 01/2014 mukaan (Li-ion 2,0 Ah...12,0 Ah)	3,9 kg...5,0 kg
Suosittelu ympäristön lämpötila käytön aikana	-18°C ... +50°C
Suosittelut akkusarjat	M18B... M18HB...
Suosittelut latauslaitteet	M12-18...
Melunpäästötiedot	
Mitta-arvot määritetty EN 62841 mukaan. Koneen tyypillinen A-luokitettu melutaso:	
Melutaso (Epävarmuus K=3dB(A))	75,27 dB (A)
Äänenvoimakkuus (Epävarmuus K=3dB(A))	86,27 dB (A)
Käytä kuulosuojaimia!	
Tärinä tiedot	
Värähtelyn yhteisarvot (kolmen suunnan vektorisummitattuna EN 62841 mukaan.	
Värähtelyemissioarvo a_h	0,48 m/s ²
Epävarmuus K=	1,5 m/s ²



Suo



Laitteen kuvaus

- | | |
|---------------------------|--|
| ① Työpöydän tuet | ⑥ Vapautin |
| ② LED | ⑦ Käsikahva
Eristetty tarttumapinta |
| ③ Kiinteä kierreleuka | ⑧ Liipaisin |
| ④ Siirrettävä kierreleuka | ⑨ Kuusiokolpultti |
| ⑤ Kuusiokoloavain (5 mm) | ⑩ Akku |

VAROITUS Lue kaikki varotoimenpiteet, ohjeet, kuvalliset esitykset ja tiedot, jotka toimitetaan laitteen mukana. Ellet noudata seuraavia ohjeita, saattaa se johtaa sähköiskuun, tulipaloon ja/tai vaikeisiin loukkaantumisiin.

Säilytä kaikki turvallisuus- ja muut ohjeet tulevaisuutta varten.

TURVALLISUUSOHJEET

Tämän laitteen käyttäjää on ohjeistettava erityisistä vaaratilanteista, jotka liittyvät laitteen käyttöön, sekä olennaisista turvallisuustekijöistä koskevista toimenpiteistä ennen ensimmäistä työskentelykertaa laitteella sekä vähintään kerran vuodessa tämän jälkeen.

Laitteen omistajan on:

- annettava laitteen käyttöohje käyttäjän käyttöön
- varmistettava, että laitteen käyttäjä on lukenut ja ymmärtänyt käyttöohjeen sisällön.

Huolla kylttejä ja nimikilpiä. Ne sisältävät tärkeitä tietoja. Lukuelvottomat tai puuttuvat kyltit ja kilvet on vaihdettava.

Käytä aina maalaisjärkeä ja ole varovainen työkaluja käyttäessäsi. Jokaisen vaaratilanteeseen johtavan tilanteen ennakoiminen on mahdollista. Älä käytä tätä työkalua, mikäli et ymmärrä näitä käyttöohjeita tai koet, että työ ylittää kykyäsi; ota yhteyttä Milwaukee Tooliin tai koulutettuun ammattilaiseen lisätietoja tai -koulutusta varten.

Älä työskentele sähköjännitteisillä osilla. Laite EI ole eristetty.

Älä laita käsiä tai päästä väljää vaatetusta leikkuriin ja muihin liikkuviin osiin. Vakava loukkaantumisvaara, mukaan lukien raajojen irtileikkautuminen.

Käytä suojavarusteita. Käytä laitteella työskennellessäsi aina suojalaseja. Suosittelemme suojavarusteiden käyttöä, näihin kuuluvat pölysuojanaamari, työkasineet, tukevat, luistamattomat jalkineet, kypärä ja kuulosuojukset.

Käytä suojalaseja tai sivusuojallisia lasia työkalulla työskennellessäsi tai sitä huoltaessasi vammautumisriskin pienentämiseksi. Materiaali voi haljeta tai pirstoutua.

Estä laitteen tahaton käynnistäminen välttääksesi loukkaantumisen ja vahingot.

Älä pitele työkalua leukojen tai kierrelleukojen kohdalla.

Tarkasta aina kierrelleukojen ja leukojen halkeamat ja muut kulumisen merkit ennen käyttöä.

Käytä tankoleikkuria, akkuyksikköä ja laturia vain mikäli ne ovat teknisesti täydellisessä kunnossa.

Anna valtuutetun alan ammattikorjaamon korjata vauriot heti.

Ota akku pois ennen kaikkia koneeseen tehtäviä toimenpiteitä.

Älä käytä työkalua ilman asennettuja kierrelleukoja. Sormet voivat musertua kierrelleukojen ollessa paikoillaan tai pois paikoiltaan.

Irrota kaikki säätötyökalut ja kiintoavaimet ennen leikkausta.

Älä koskaan upota laitetta, irrotettavaa akkua tai laturia nesteeseen tai anna nesteen päästä niihin loukkaantumisten ja vahinkojen välttämiseksi.

Älä leikkaa työkkapaleesta niin lyhyitä kappaleita, että sormet voivat joutua kierrelleukojen läheisyyteen. Kierrelleuat ovat teräviä!

Työkkapaleet eivät saa altistua mekaanisille voimille.

Älä käytä jännitteisille kohteille pienentääksesi räjähdyksen, sähköshokin ja omaisuus- ja laitteistovahinkojen vaaraa.

Työkalu EI ole eristetty. Kosketus jännitteeseen voi aiheuttaa vakavia vammoja tai kuoleman.

Kierrelleukojen terät ovat teräviä. Pidä kädet kaukana leikkuuteristä ja liikkuvista osista. Vältä lyhyiden kappaleiden leikkaamista materiaalista silloin, kun kädet joutuvat lähelle teriä. Voit saada haavoja tai seurauksena voi olla amputaatio.

VAROITUS Tehohionnasta, sahausesta, hionnasta, porauksesta ja muista rakentamistoimista syntyvä pöly sisältää kemikaaleja, joiden tiedetään aiheuttavan syöpää, synnynnäisiä poikkeavuuksia tai muita lisääntymishäiriöitä. Jotain esimerkkejä näistä kemikaaleista ovat:

- lyijypohjaisen maalin lyijy
- tiilien ja sementin sekä muiden muuraustuotteiden kiteinen piidioksidi
- kemiallisesti käsitellyn puutavaran arsenikki ja kromi.

Näiden altistusten vaara vaihtelee riippuen tämän tyyppisen työn toteuttamistehydestä. Näille kemikaaleille altistumisesi vähentämiseksi: työskentele hyvin ilmastoidulla alueella ja käytä työskennellessäsi hyväksytyjä suojavarusteita, kuten erityisesti mikroskooppiset huikkaset suodattamaan suunniteltuja hengityssuojaimia.

VAROITUS! Jotta vältetään lyhytsulun aiheuttama tulipalon, loukkaantumisen tai tuotteen vahingoittamisen vaara, älä koskaan upota työkalua, vaihtoakkuja tai latauslaitetta nesteeseen ja huolehdi siitä, ettei mitään nesteitä pääse tunkeutumaan laitteiden tai akkujen sisään. Syövyttävät tai sähköä johtavat nesteet, kuten suolavesi, tietyt kemikaalit ja lalkaisuaineet tai valkaisuaineita sisältävät tuotteet voivat aiheuttaa lyhytsulun.

Käytä ainoastaan System M18 latauslaitetta System M18 akkujen lataukseen. Älä käytä muiden järjestelmien akkuja.

Vaihtoakkuja ja latauslaitteita ei saa avata. Säilytys vain kuivissa tiloissa. Suojattava kosteudelta.

TARKOITUKSENMUKAINEN KÄYTTÖ

Tämä suurta rasitusta kestävä tankoleikkuri on tarkoitettu ammattikäyttöön.

VAROITUS: Leikkaa vain kierrelleuille sopivia materiaaleja (katso "Tekniset tiedot") loukkaantumisaaran vähentämiseksi. Älä yritä leikata muita materiaaleja.

Tämä työkalu leikkaa tangon siististi ja ilman puresuonaa, jolloin mutterit voidaan kiertettävä käsin ilman lisäviimeistelyä. Työkkapaleen laatu, lika ja mittakaava voivat vaikuttaa käsin kierteytyksen helppouteen.

HUOMAA: Käytä tätä työkalua alla lueteltujen kokojen ja materiaalien leikkaamiseen. Muut koot ja materiaalit vaurioittavat työkalua ja työkkapaleita.

ÄLÄ käytä märissä olosuhteissa tai herkästi syttyvien nesteiden tai kaasujen lähellä.

ÄLÄ käytä karkeastiujen pulttien, erikokoisten ruuvikierteiden tai raudoitusankojen leikkaamiseen.

HUOMAA: Tankoleikkuri on suunniteltu siten, että mutteri kiertetetään leikattuun tankoon käsin. Kierteen laatu, pinta- viimeistely (esim. galvanoitu tai metalloitu), lika ja mittakaava voivat vaikuttaa siihen, kuinka helposti mutteri voidaan kiertettävä leikattuun tankoon.

VAROITUS: Mikäli kierrelleuat on avattava ennen työkierron päättämistä, älä koskaan vapauta pääkävää. Käytä toista kättäsi painamaan peruutuspainiketta, kunnes merkivalo syttyy. Siirrä kätesi takaisin pitelemaan työkkapaleita tukevasti. Paina sitten päävirtakytkintä kunnes työkalu pysähtyy automaattisesti avaamaan kierrelleuat.

KÄYTTÖ

Käytä aina suojalaseja laitetta käytettäessä.

Kierrelleuat ovat teräviä. Pidä kädet kaukana leikkuuteristä ja liikkuvista osista. Vältä lyhyiden kappaleiden leikkaamista materiaalista silloin, kun kädet joutuvat lähelle kierrelleukoja. Voit saada haavoja tai seurauksena voi olla amputaatio.

Varmista pään yläpuolella käytettäessä, että **MOLEMMAT** tangon päät ovat tukevasti leikkauksen päätteeksi kappaleiden putoamisen välttämiseksi.

Leikkaus

- Varmista ennen käyttöä, että kierrelleuat on säädetty oikeaa tankokokoa varten.
- Varmista, että kuusiokolopultit on varmasti kiristetty.
- Leikkaa puhdasta materiaalia kierrelleukojen terien käyttötään kasvattamiseksi.
- Pyyhi lika ja ainesjäämät materiaalista ja kierrelleuosta ennen leikkaamisen aloittamista.
- Käytä kierrelleukoja ainoastaan niille soveltuvan materiaalin kanssa. Muut materiaalit voivat vaurioittaa kierrelleukatyökalua.
- Aseta akkuyksikkö paikoilleen.
- Kiinnitä tanko asianmukaisesti kierrelleukoihin leikkuaan aikana asianmukaisen kierrelleukojen käyttöäin varmistamiseksi. Kiinnitä työkkapale aina ennen leikkausta tarkkaa työskentelyä varten.
- Älä yritä tehdä kulmaleikkauksia. Tämä vaurioittaa kierrelleukoja ja työkkapaleita. Pitele materiaalia tiukasti kiinteää kierrelleukaa vasten aloittaessasi leikkaamisen.
- Paina peruutuspainiketta peruuttaaksesi. Painikkeen valo kytkeytyy päälle. Paina ja pidä virtakytkintä painettuna peruuttaaksesi.
HUOMAA: Työkalu siirtyy peruustilaan, mikäli leuat **EIVÄT** ole kokonaan auki.



Suo

Peruutuspainike

Mikäli leikkuuleuat on avattava ennen leikkuusyklin päättämistä:

1. Vapauta virtakytkin.
2. Paina peruutuspainiketta. Painikkeen valo kytkeytyy PÄÄLLE.
3. Vedä virtakytkimestä ja pitele työkalua tukevasti, kunnes leikkuuleuat avautuvat kokonaan. HUOMAA: Työkalu siirtyy peruustustilaan, mikäli leuat EIVÄT ole kokonaan auki.

Jumiutuneet kierreleuat

Lika ja ainesjäämät yhdessä voivat aiheuttaa kierreleukojen jumittumisen leikkuun jälkeen. Mikäli työkalu kytkeytyy pois päältä ja leikkuuleuat ovat edelleen kiinni:

1. Paina peruutuspainiketta ja vedä virtakytkimestä, kunnes leikkuuleuat avautuvat kokonaan. Mikäli tämä ei onnistu,
2. Poista akkuyksikkö
3. Poista, puhdista ja asenna kierreleuat uudelleen "Kierreleukojen poisto/vaihto" mukaan.



Suo

HUOLTO

Ota akku pois ennen kaikkia koneeseen tehtäviä toimenpiteitä.

Älä koskaan avaa tankoleikkuria, irrotettavaa akkua tai laturia. Tarkasta tankoleikkuri häiriöiden, kuten liikkuvien osien aiheuttaman melun tai niiden jumittumisen osalta, jotka voivat vaikuttaa laitteen käyttöön.

Tarkasta leikkuuterät halkeamilta ja muilta kulumilta.

Puhdista pöly ja jäämät aukoista. Pidä kahva puhtaana, kuivana, öljyttömänä ja rasvattomana. Käytä ainoastaan mietoa saippuaa ja kosteaa liinaa, sillä tietyt puhdistusaineet ja liuottimet vahingoittavat muoveja ja muita eristettyjä osia. Esimerkkinä vaurioittavista aineista ovat bensiini, tärpätti, ohenne, klooripitoiset puhdistusaineet, ammoniakki ja ammoniakkipitoiset kotitalouspuhdistusaineet. Älä koskaan käytä syttyviä tai tulenarkoja liuottimia työkalujen lähellä.

Tarkista, että leikkuutyökalut ovat terävät ja vaihda kuluneet leikkuutyökalut.

Vaihda leikkuutyökalut uusiin, kun niiden reunat ovat murtuneita tai ne ovat vahingoittuneita. Vaihda leikkuutyökalut aina sarjana. Käytä vain MILWAUKEE-teriä.

Älä koskaan upota laitetta, irrotettavaa akkua tai laturia nesteeseen tai anna nesteen päästä niihin loukkaantumisten ja vahinkojen välttämiseksi.

Pidä moottorin ilmanottoaukot puhtaina.

Muut hoito- ja korjaustyöt saa suorittaa vain valtuutetut erikoistuneet työpajat.

Käytä ainoastaan Milwaukee lisätarvikkeita ja Milwaukee varaosia. Mikäli jokin komponentti, jota ei ole kuvailtu, tarvitsee vaihtoa ota yhteys johonkin Milwaukee palvelupisteistä (kts. listamme takuuhuoltoilikkeiden/ palvelupisteiden osoitteista)

Tarpeen vaatiessa voit pyytää lähettämään laitteen kokoonpanopirustuksen ilmoittamalla arvokilven numeron seuraavasta osoitteesta: Techtronic Industries GmbH, Max-Eyth-Straße 10, 71364 Winnenden, Germany.

AKKU

Yli 50°C lämpötilassa akun suorituskyky heikkenee. Vältäthän akkujen säilyttämistä auringossa tai kuumissa tiloissa.

Pidä aina latauslaitteen ja akun kosketinpinnan puhtaina.

Optimaalisen käyttöiän saavuttamiseksi akut on ladattava täyteen käytön jälkeen. Pitkään käyttämättä olleet vaihtoakut on ladattava ennen käyttöä.

Mahdollisimman pitkän elinajan takaamiseksi akut tulee poistaa laturista lataamisen jälkeen.

Akkua yli 30 päivää säilytettäessä, Säilytä akku yli 27 °C:ssa ja kuivassa. Säilytä akku sen latauksen ollessa 30 % - 50 %, Lataa akku 6 kuukauden välein uudelleen.

Käytettyjä vaihtoakkuja ei saa polttaa eikä poistaa normaalin jätehuollon kautta. Milwaukeea on tarjolla vanhoja vaihtoakkuja varten ympäristöystävällinen jätehuoltopalvelu.

Vaihtoakkuja ei saa säilyttää yhdessä metalliesineiden kanssa (oikosulkuvaara).

Vaurioituneesta akusta saattaa erityisen kovassa käytössä tai poikkeavassa lämpötilassa vuotaa akkuhappoa. Ihonkohta, joka on joutunut kosketukseen akkuhapon kanssa on viipymättä pestävä vedellä ja saippualla. Silmä, johon on joutunut akkuhappoa, on huuhdeltava vedellä vähintään 10 minuutin ajan, jonka jälkeen on viipymättä hakeuduttava lääkärin apuun.

On varottava, ettei latauslaitteiden vaihtoakkulatauskoloon joudu metalliesineitä (oikosulkuvaara).

LITIUMI-IONIAKKUIEN KULJETTAMINEN

Litiumi-ioniakut kuuluvat vaarallisten aineiden kuljetuksesta annettujen lakien piiriin.

Näiden akkujen kuljettaminen täytyy suorittaa noudattaen paikallisia, kansallisia ja kansainvälisiä määräyksiä ja säädöksiä.

Kuluttajat saavat ilman muuta kuljettaa näitä akkuja teitä pitkin.

Kaupallisessa kuljetuksessa huolintaliikkeiden täytyy kuljettaa litiumi-ioniakkuja vaarallisten aineiden kuljetuksesta annettujen määräysten mukaisesti. Ainoastaan tähän vastaavasti koulutetut henkilöt saavat suorittaa kuljetuksen valmistelutoimet ja itse kuljetuksen. Koko prosessia tulee valvoa asiantuntevasti.

Seuraavat kohdat tulee huomioida akkuja kuljetettaessa:

Varmista, että akkujen kontaktit on suojattu ja eristetty, jotta vältetään lyhytsulutus. Huolehdi siitä, ettei akkusarja voi luiskahtaa paikaltaan pakkauskeskissä. Vahingoittuneita tai vuotavia akkuja ei saa kuljettaa. Pyydä tarkemmat tiedot huolintaliikkeeltäsi.

TODISTUS CE-STANDARDINMUKAISUUDESTA

Vakuutamme täten olevamme yksin vastuussa siitä, että kohdassa "Tekniset tiedot" kuvattu tuote vastaa kaikkia direktiivien merkityksellisiä säädöksiä

2011/65/EU (RoHS)

2006/42/EC

2014/30/EU

ja seuraavia yhdenmukaistettuja standardeja on käytetty.

EN 62841-1:2015

EN 55014-1:2017+A11:2020

EN 55014-2:2015

EN IEC 63000:2018



Winnenden, 2020-11-09

Alexander Krug / Managing Director

Valtuutettu kokoamaan tekniset dokumentit.

Techtronic Industries GmbH

Max-Eyth-Straße 10, 71364 Winnenden, Germany

SYMBOLIT



Lue käyttöohjeet huolellisesti, ennen koneen käynnistämistä.



Käytä laitteella työskennellessäsi aina suojalaseja.



Vetovoima



HUOMIO! VAROITUS! VAARA!



Ota akku pois ennen kaikkia koneeseen tehtäviä toimenpiteitä.



Älä laita käsiä leikkuriin ja muihin liikkuviin osiin. Sormet voivat joutua leikkurin mekanismiin sekä voivat vahingoittua tai leikkaantua irti.



Lisälaite - Ei sisälly vakiovarustukseen, saatavana lisäervikkeena.



Sähkölaitteita, paristoja/akkuja ei saa hävittää yhdessä kotitalousjätteiden kanssa. Sähkölaitteet ja akut tulee kerätä erikseen ja toimittaa kierrätysliikkeeseen ympäristöystävällistä hävittämistä varten. Pyydä paikallisilta viranomaisilta tai alan kauppialtasi tarkemmat tiedot kierrätyspisteistä ja keräyspaikoista.

V Jännite



Tasavirta



Euroopan säännönmukaisuusmerkki



Britannian säännönmukaisuusmerkki



Ukrainan säännönmukaisuusmerkki

001



Euraasian säännönmukaisuusmerkki

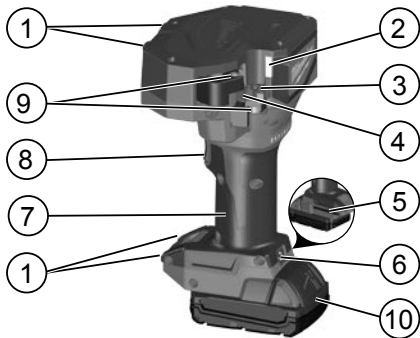


ΤΕΧΝΙΚΑ ΣΤΟΙΧΕΙΑ Κόφτης για ντίτζες	M18 BLTRC
Αριθμός παραγωγής	4775 24 02... ... 000001-999999
Τάση ανταλλακτικής μπαταρίας	18 V
Περιοχή κοπής Χάλυβας	M 6 x 1 M 8 x 1,25 M 10 x 1,5 M 12 x 1,75
Περιοχή κοπής Ανοξείδωτος χάλυβας	M 6 x 1 M 8 x 1,25 M 10 x 1,5
Βάρος σύμφωνα με τη διαδικασία EPTA 01/2014 (Li-Ion 2,0 Ah...12,0 Ah)	3,9 kg...5,0 kg
Συνιστώμενη θερμοκρασία περιβάλλοντος για τη λειτουργία	-18°C ... +50°C
Συνιστώμενη δέσμη συσσωρευτών	M18B... M18HB...
Συνιστώμενη συσκευή φόρτισης	M12-18...
Πληροφορίες θορύβου Τιμές μέτρησης εξακριβωμένες κατά EN 62841. Η σύμφωνη με την καμπύλη A εκτιμηθείσα στάθμη θορύβου του μηχανήματος αναφέρεται σε:	
Στάθμη ηχητικής πίεσης (Ανασφάλεια K=3dB(A))	75,27 dB (A)
Στάθμη ηχητικής ισχύος (Ανασφάλεια K=3dB(A))	86,27 dB (A)
Φοράτε προστασία ακοής (ωτασπίδες)!	
Πληροφορίες δονήσεων Υλικές τιμές κραδασμών (άθροισμα διανυσμάτων τριών διευθύνσεων) εξακριβώθηκαν σύμφωνα με τα πρότυπα EN 62841.	
Τιμή εκπομπής δονήσεων a_h	0,48 m/s ²
Ανασφάλεια K=	1,5 m/s ²

ΠΡΟΕΙΔΟΠΟΙΗΣΗ!

Το αναφερόμενο σ' αυτές τις οδηγίες επίπεδο δονήσεων έχει μετρηθεί με μια τυποποιημένη σύμφωνα με το EN 62841 μέθοδο μέτρησης και μπορεί να χρησιμοποιηθεί για τη σύγκριση των ηλεκτρικών εργαλείων μεταξύ τους. Αυτό είναι επίσης κατάλληλο για μια προσωρινή εκτίμηση της επιβάρυνση των δονήσεων.

Το αναφερόμενο επίπεδο δονήσεων αντιπροσωπεύει τις κύριες χρήσεις του ηλεκτρικού εργαλείου. Εάν όμως το ηλεκτρικό χρησιμοποιείται σε άλλες χρήσεις, με διαφορετικά εργαλεία εφαρμογής ή ανεπαρκή συντήρηση, μπορεί να υπάρξει απόκλιση του επιπέδου δονήσεων. Αυτό μπορεί να αυξήσει σημαντικά την επιβάρυνση των δονήσεων για τη συνολική διάρκεια της εργασίας. Για μια ακριβή εκτίμηση της επιβάρυνσης των δονήσεων οφείδουν επίσης να λαμβάνονται υπόψη οι χρόνοι, στους οποίους η συσκευή είναι απενεργοποιημένη ή είναι μεν ενεργοποιημένη αλλά δεν χρησιμοποιείται πραγματικά. Αυτό μπορεί να μειώσει σημαντικά την επιβάρυνση των δονήσεων για τη συνολική διάρκεια της εργασίας. Καθορίζετε πρόσθετα μέτρα ασφαλείας για την προστασία του χειριστή από την επίδραση των δονήσεων όπως για παράδειγμα: Συντήρηση του ηλεκτρικού εργαλείου και των εργαλείων εφαρμογής, διατηρείτε ζεστά τα χέρια, οργάνωση των διαδικασιών εργασίας.



Περιγραφή συσκευής

- | | |
|------------------------------------|---|
| ① Υποστηρίγματα επιφάνειας πάγκου | ⑥ Σκανδάλη απελευθέρωσης |
| ② Λυχνία LED | ⑦ Λαβή Μονωμένη επιφάνεια λαβής |
| ③ Σταθερή μήτρα | ⑧ Σκανδάλη |
| ④ Κινητή μήτρα | ⑨ Μπουλόνια με κεφαλή εσωτερικού εξαγώνου |
| ⑤ Κλειδί εξαγωνικής κεφαλής (5 mm) | ⑩ ΜΠΑΤΑΡΙΑ |

⚠ ΠΡΟΕΙΔΟΠΟΙΗΣΗ Διαβάστε όλες τις υποδείξεις ασφαλείας, τις οδηγίες, τις εικόνες και τα δεδομένα, τα οποία θα λάβετε μαζί με το μηχανήμα. Η μη τήρηση των οδηγιών που ακολουθούν, μπορεί να οδηγήσει σε ηλεκτροπληξία, φωτιά και/ή σε σοβαρούς τραυματισμούς.
Φυλάξτε όλες τις προειδοποιητικές υποδείξεις και οδηγίες για κάθε μελλοντική χρήση.

⚠ ΕΙΔΙΚΕΣ ΥΠΟΔΕΙΞΕΙΣ ΑΣΦΑΛΕΙΑΣ

Πριν από την πρώτη χρήση και, στη συνέχεια, τουλάχιστον μία φορά το χρόνο, ο χειριστής της συσκευής πρέπει να ενημερώνεται σχετικά με τους ειδικούς κινδύνους που αφορούν τη χρήση της συσκευής, καθώς και με τα βασικά μέτρα ασφαλείας.

Η εταιρεία εκμετάλλευσης πρέπει:

- να παραδώσει το εγχειρίδιο λειτουργίας στο χειριστή και
- να διασφαλίσει ότι ο χειριστής το έχει διαβάσει και κατανοήσει.

Συντηρείτε τις ετικέτες και τις πινακίδες τύπου. Αυτές περιέχουν σημαντικές πληροφορίες. Αν είναι δυσανάγνωστες ή λείπουν, πρέπει να αντικατασταθούν.

Να χρησιμοποιείτε πάντοτε την κοινή λογική και να είστε προσεκτικοί όταν χρησιμοποιείτε εργαλεία. Δεν είναι δυνατόν να προβλεφθεί κάθε κατάσταση που μπορεί να καταλήξει σε ένα επικίνδυνο αποτέλεσμα. Μη χρησιμοποιείτε αυτό το εργαλείο, αν δεν κατανοείτε αυτές τις οδηγίες λειτουργίας ή αισθανέστε ότι η εργασία είναι πέρα από τις δυνατότητές σας. Επικοινωνήστε με την Milwaukee Tool ή έναν εκπαιδευμένο επαγγελματία για επιπλέον πληροφορίες ή εκπαίδευση.

Μην εργάζεστε κοντά σε ηλεκτροφόρα μέρη. Η συσκευή ΔΕΝ είναι μονωμένη.

Διατηρείτε τα χέρια και τα φορδιά ρούχα μακριά από εργαλεία κοπής και άλλα κινούμενα εξαρτήματα. Υπάρχει κίνδυνος σοβαρών τραυματισμών, συμπεριλαμβανομένου κοψίματος άκρων του σώματος. Χρησιμοποιείτε προστατευτικό εξοπλισμό.

Στις εργασίες με τη μηχανή φοράτε πάντοτε προστατευτικά γυαλιά. Συνιστούμε επίσης προστατευτική ενδυμασία όπως επίσης μάσκα προστασίας αναπνοής, προστατευτικά γάντια, σταθερά και ασφαλή στην ολόθληση υποδήματα, κράνος και ωτοασπίδες.

Για να μειώσετε τον κίνδυνο τραυματισμών, φοράτε προστατευτικά γυαλιά ή γυαλιά με πλάγια προστατευτικά, όταν χειρίζεστε ή πραγματοποιείτε συντήρηση στο εργαλείο. Το υλικό μπορεί να παρουσιάσει ρωγμές ή να θρυμματιστεί.

Για να αποφύγετε τραυματισμούς και ζημιές, αποτρέπετε την ακούσια εκκίνηση της συσκευής.

Μην κρατάτε ποτέ το εργαλείο από την περιοχή των σιαγόνων και των μητρών κοπής.

Πριν από τη χρήση ελέγχετε πάντα τις μήτρες και τις σιαγόνες για ρωγμές και άλλες ενδείξεις φθοράς.

Χρησιμοποιείτε τον κόφτη για ντίξες, το πακέτο συσσωρευτών και τη συσκευή φόρτισης, μόνο εφόσον είναι σε τεχνικά άριστη κατάσταση.

Σε περίπτωση βλάβης επισκευάστε τα άμεσα σε ένα εξουσιοδοτημένο συνεργείο.

Πριν από κάθε εργασία στη μηχανή αφαιρείτε την ανταλλακτική μπαταρία.

Μη χρησιμοποιείτε το εργαλείο χωρίς να είναι εγκατεστημένες οι μήτρες. Τα δάχτυλα μπορεί να συνθλιφτούν με ή χωρίς τις μήτρες τοποθετημένες.

Αφαιρέστε όλα τα εργαλεία ρύθμισης και τα κλειδιά, πριν εκτελέσετε την κοπή.

Για να αποφύγετε τραυματισμούς και ζημιές, μη βυθίζετε ποτέ το εργαλείο, τον επαναφορτιζόμενο συσσωρευτή ή τη συσκευή φόρτισης σε υγρό και μην επιτρέπετε ποτέ να εισχωρήσει υγρό σε αυτά.

Μην κόβετε μικρά μήκη από το τεμάχιο προς επεξεργασία όπου τα δάχτυλά σας μπορεί να έρθουν κοντά στις μήτρες κοπής. Οι μήτρες είναι αιχμηρές!

Το τεμάχιο προς επεξεργασία δεν πρέπει να εκτίθεται σε οποιεσδήποτε μηχανικές δυνάμεις.

Για να περιορίσετε τον κίνδυνο εκρήξεων, ηλεκτροπληξίας και ζημιών σε περιουσιακά στοιχεία και εξοπλισμό, μη χρησιμοποιείτε τη συσκευή σε ρευματοφόρο αντικείμενα.

Το εργαλείο ΔΕΝ είναι μονωμένο. Η επαφή με ρευματοφόρο κύκλωμα μπορεί να οδηγήσει σε σοβαρούς τραυματισμούς ή θάνατο.

Οι λεπίδες στις μήτρες είναι αιχμηρές. Κρατάτε τα χέρια σας μακριά από τις ακμές κοπής και τα κινούμενα μέρη. Αποφύγετε να κόβετε κοντά τμήματα υλικού τα οποία φέρνουν τα χέρια σας κοντά στις λεπίδες. Υπάρχει κίνδυνος κοψίματος και ακρωτηριασμού.

ΠΡΟΕΙΔΟΠΟΙΗΣΗ Ορισμένες σκόνες που παράγονται από εργασίες με ηλεκτρικά τριβεία, πρίονια, γυανοκάουτροχούς, δράπανα και άλλες κατασκευαστικές δραστηριότητες περιέχουν χημικές ουσίες οι οποίες είναι γνωστές ότι προκαλούν καρκίνο, εκ γενετής παραμορφώσεις ή άλλες αναπαραγωγικές βλάβες. Μερικά παραδείγματα τέτοιων χημικών ουσιών είναι:

- μόλυβδος από βαφές με βάση το μολύβδο
- κρυσταλλικό πυριτικό από τούβλα, σκυρόδεμα και άλλα προϊόντα τοιχοποιίας και
- αρσενικό και χρώμιο από χημικά επεξεργασμένη ξυλεία.

Ο κίνδυνος που διατρέχετε από αυτές τις εκθέσεις ποικίλει, ανάλογα με το πόσο συχνά εκτελείτε αυτού του είδους την εργασία. Για να μειώσετε την έκθεσή σας σε αυτές τις χημικές ουσίες: να εργάζεστε σε έναν καλά αεριζόμενο χώρο και να εργάζεστε χρησιμοποιώντας συγκεκριμένο εξοπλισμό ασφαλείας, όπως μάσκα προστασίας από σκόνη που είναι ειδικά σχεδιασμένες για να συγκρατούν, μέσω φίλτρου, μικροσκοπικά σωματίδια.

ΠΡΟΕΙΔΟΠΟΙΗΣΗ! Για να αποτρέψετε τον κίνδυνο πυρκαγιάς λόγω βραχυκυκλώματος, τραυματισμούς ή ζημιές του προϊόντος, να μη βυθίζετε το εργαλείο, τον ανταλλακτικό συσσωρευτή ή τη συσκευή φόρτισης σε υγρά και να φροντίζετε, ώστε να μη εισδύσουν υγρά στις συσκευές και τους συσσωρευτές. Διαβρωτικές ή αγώγιμες υγρές ουσίες, όπως αλατόνερο, ορισμένες χημικές ουσίες και λευκαντικά ή προϊόντα που περιέχουν λευκαντικά, μπορεί να προκαλέσουν βραχυκύκλωμα.

Φορτίζετε τις ανταλλακτικές μπαταρίες του συστήματος M18 μόνο με φορτιστές του συστήματος M18. Μη φορτίζετε μπαταρίες από άλλα συστήματα.

Μην ανοίγετε τις ανταλλακτικές μπαταρίες και τους φορτιστές και χρησιμοποιείτε για αποθήκευση μόνο στεγνούς χώρους. Προστατεύετε τις ανταλλακτικές μπαταρίες και τους φορτιστές από την υγρασία.

ΧΡΗΣΗ ΣΥΜΦΩΝΑ ΜΕ ΤΟ ΣΚΟΠΟ ΠΡΟΟΡΙΣΜΟΥ

Αυτός ο κόφτης για ντίξες βاریων εργασιών είναι σχεδιασμένος για επαγγελματικές εφαρμογές.

ΠΡΟΕΙΔΟΠΟΙΗΣΗ: Για να μειώσετε τον κίνδυνο τραυματισμών, κόβετε μόνο υλικά που συνιστώνται για τις μήτρες κοπής (βλέπε «Προδιαγραφές»). Μην επιχειρήσετε να κόψετε άλλα υλικά.

Το εργαλείο αυτό θα κόψει την ντίξα καθαρά και χωρίς ρινίσματα, επιτρέποντας στα παξιμάδια να βιδωθούν με το χέρι χωρίς επιπλέον φινιρίσμα. Η ποιότητα του τεμαχίου προς επεξεργασία, η σκόνη και η κλίμακα μπορεί να επηρεάσουν την ικανότητα βιδώματος των παξιμαδιών με το χέρι.

ΣΗΜΕΙΩΣΗ: Χρησιμοποιήστε αυτό το εργαλείο για να κόβετε τα μεγέθη και τα υλικά που παρατίθενται παρακάτω. Άλλα μεγέθη και υλικά θα προκαλέσουν ζημιά στο εργαλείο και το τεμάχιο προς επεξεργασία.

ΜΗ χειρίζεστε ή χρησιμοποιείτε τη συσκευή σε υγρές συνθήκες ή υπό την παρουσία εύφλεκτων υγρών ή αερίων.

ΜΗ χρησιμοποιείτε τη συσκευή για την κοπή μπουλονιών από σκληρωμένο μέταλλο, σπειρωμάτων διαφορετικών μεγεθών ή ράβδων ενίσχυσης.

ΣΗΜΕΙΩΣΗ: Ο κόφτης για ντίξες είναι σχεδιασμένος έτσι ώστε τα παξιμάδια να βιδώνονται στην κομμένη ντίξα με το χέρι. Η ποιότητα του σπειρώματος, το φινιρίσμα της επιφάνειας (π.χ. γαλβανισμένη ή επιμεταλλωμένη), η σκόνη και η κλίμακα μπορεί να επηρεάσουν την ικανότητα απόσποτου βιδώματος του παξιμαδιού στην κομμένη ντίξα.

ΠΡΟΕΙΔΟΠΟΙΗΣΗ: Αν οι μήτρες χρειάζεται να ανοιχτούν χωρίς ολοκλήρωση του κύκλου, μην απελευθερώσετε ποτέ την κύρια λαβή. Χρησιμοποιήστε το άλλο χέρι για να πιέσετε το κουμπί αναστροφής μέχρι να ανάψει η ενδεικτική λυχνία. Βάλτε το χέρι σας πάλι πίσω στο τεμάχιο προς επεξεργασία και κρατήστε το με ασφάλεια. Στη συνέχεια πατήστε την κύρια σκανδάλη μέχρι το εργαλείο να σταματήσει αυτόματα για να ανοίξουν οι μήτρες.



Στις εργασίες με τη συσκευή φοράτε πάντοτε προστατευτικά γυαλιά. Οι μήτρες κοπής είναι αιχμηρές. Κρατάτε τα χέρια σας μακριά από τις ακμές κοπής και τα κινούμενα μέρη. Αποφύγετε να κόβετε κοντά τμήματα υλικού τα οποία φέρουν τα χέρια σας κοντά στις μήτρες κοπής. Υπάρχει κίνδυνος κοψίματος και ακρωτηριασμού.

Σε περίπτωση που χρησιμοποιήσετε τη συσκευή για να κόψετε υπερκείμενο τμήμα του υλικού, βεβαιωθείτε ότι ΚΑΙ ΤΑ ΔΥΟ άκρα της ντίζας είναι ασφαλισμένα για να αποφύγετε την πτώση κομματιών, όταν ολοκληρωθεί η κοπή.

Κοπή

- Πριν τη χρήση, βεβαιωθείτε ότι οι μήτρες κοπής είναι κατάλληλες για το σωστό μέγεθος ράβδου.
- Βεβαιωθείτε ότι τα μπουλόνια με εξάγωνη κεφαλή είναι σφηνισμένα με ασφάλεια.
- Κόβετε καθαρά υλικά, για να επιμηκύνετε τη διάρκεια ζωής των λεπίδων των μητρών κοπής.
- Σκουπίστε τις ακαθαρσίες και τα θραύσματα από το υλικό και τις μήτρες κοπής, πριν ξεκινήσετε την κοπή.
- Χρησιμοποιείτε τις μήτρες κοπής μόνο στα υλικά για τα οποία έχουν σχεδιαστεί. Άλλα υλικά μπορεί να προκαλέσουν ζημιά στις μήτρες κοπής και το εργαλείο.
- Εισαγάγετε το πακέτο συσσωρευτών.
- Για να διασφαλίσετε την κανονική διάρκεια ζωής των μητρών, η ντίζα πρέπει να συμπλέκεται κατάλληλα με τις μήτρες κατά τη διάρκεια της κοπής. Για ακριβή εργασία ασφαλίστε πάντα το τεμάχιο προς επεξεργασία, πριν κόψετε.
- Μην επιχειρείτε λοξοτομές. Θα προκληθεί ζημιά στις μήτρες κοπής και το τεμάχιο προς επεξεργασία. Κρατάτε το υλικό σταθερά και με ασφάλεια έναντι της σταθερής μήτρας κοπής όταν αρχίσετε την κοπή.
- Για τη λειτουργία αναστροφής, πατήστε το κουμπί αναστροφής. Το φως του κουμπιού θα ανάψει. Πατήστε και κρατήστε πατημένη τη σκανδάλη για να ξεκινήσει η αναστροφή.
ΣΗΜΕΙΩΣΗ: Το εργαλείο θα μεταβεί στη λειτουργία αναστροφής μόνο αν οι σιαγόνες ΔΕΝ είναι πλήρως ανοιχτές.

Κουμπί αναστροφής

Αν οι σιαγόνες κοπής χρειάζεται να ανοιχτούν χωρίς να ολοκληρωθεί ο κύκλος κοπής:

1. Απελευθερώστε τη σκανδάλη.
2. Πατήστε το κουμπί αναστροφής. Το φως του κουμπιού θα ανάψει.
3. Πατήστε τη σκανδάλη και κρατήστε το εργαλείο σταθερά μέχρι οι σιαγόνες κοπής να ανοίξουν πλήρως. ΣΗΜΕΙΩΣΗ: Το εργαλείο θα μεταβεί στη λειτουργία αναστροφής μόνο αν οι σιαγόνες ΔΕΝ είναι πλήρως ανοιχτές.

Μηλοκαρισμένες μήτρες κοπής

Οι ακαθαρσίες και τα θραύσματα μπορεί να προκαλέσουν εμπλοκή των μητρών κοπής μετά από μια κοπή. Αν το εργαλείο απενεργοποιηθεί και οι σιαγόνες κοπής είναι ακόμα κλειστές:

1. Πατήστε το κουμπί αναστροφής και πατήστε τη σκανδάλη μέχρι οι σιαγόνες κοπής να ανοίξουν πλήρως. Αν η διαδικασία αυτή δεν επιτύχει:
2. Αφαιρέστε το πακέτο συσσωρευτών
3. Αφαιρέστε, καθαρίστε και επανεγκαταστήστε τις μήτρες κοπής σύμφωνα με την ενότητα «Αφαίρεση/αντικατάσταση των μητρών κοπής».

Πριν από κάθε εργασία στη μηχανή αφαιρείτε την ανταλλακτική μπαταρία.

Μην ανοίγετε ποτέ τον κόφτη για ντίζες, τον επαναφορτιζόμενο συσσωρευτή ή τη συσκευή φόρτισης. Ελέγχετε τον κόφτη για ντίζες για ενδεχόμενα προβλήματα όπως θόρυβο ή εμπλοκή των κινούμενων μερών, τα οποία μπορεί να επηρεάσουν το εργαλείο.

Ελέγχετε τα εργαλεία κοπής για ρωγμές και άλλες ενδείξεις φθοράς.

Καθαρίστε τη σκόνη και τα θραύσματα από τα ανοίγματα.

Διατηρείτε τη λαβή καθαρή, στεγνή και χωρίς λάδια ή γράσα.

Χρησιμοποιείτε μόνο ήλιο σαπούνι και ένα ναυτιομένο πανί για να καθαρίσετε, καθώς ορισμένα προϊόντα καθαρισμού και διαλύτες είναι επιβλαβή για πλαστικά και άλλα μονωμένα μέρη. Ορισμένα από αυτά περιλαμβάνουν βενζίνη, τερεβινθέλαιο, αρωματικό βερνικιού, αρωματικό βαφής, χλωριωμένα διαλυτικά καθαρισμού, αμμωνία και οικιακά απορρυπαντικά που περιέχουν αμμωνία. Μη χρησιμοποιείτε ποτέ εύφλεκτους ή καύσιμους διαλύτες κοντά σε εργαλεία.

Ελέγχετε ότι τα εργαλεία κοπής είναι αιχμηρά και αντικαταστήστε τα φθαρμένα εργαλεία κοπής.

Αντικαταστήστε τα εργαλεία κοπής, όταν παρουσιάσουν θραύσεις ή ζημιές. Αντικαθιστάτε πάντα τα εργαλεία κοπής ανά ζευγή. Χρησιμοποιείτε αποκλειστικά λεπίδες MILWAUKEE.

Για να αποφύγετε τραυματισμούς και ζημιές, μη βυθίζετε ποτέ το εργαλείο, τον επαναφορτιζόμενο συσσωρευτή ή τη συσκευή φόρτισης σε υγρό και μην επιτρέπετε ποτέ να εισχωρήσει υγρό σε αυτά.

Διατηρείτε πάντοτε τις σχισμές εξερισμού της μηχανής καθαρές.

Περαιτέρω εργασίες συντήρησης και επισκευής επιτρέπεται να διεξάγονται μόνο από εξειδικευμένα συνεργεία.

Χρησιμοποιείτε μόνο αξεσουάρ Milwaukee και ανταλλακτικά Milwaukee. Εξαρτήματα, που η αλλαγή τους δεν περιγράφεται, αντικαθιστώνται σε μια τεχνική υποστήριξη της Milwaukee (βλέπε φυλλάδιο εγγύηση/ διευθύνσεις τεχνικής υποστήριξης).

Όταν χρειάζεται, μπορείτε να ζητήσετε ένα σχέδιο συναρμολόγησης της συσκευής, δίνοντας τον τύπο της μηχανής και αριθμό στην πινακίδα ισχύος, από το κέντρο σέρβις ή απευθείας από τη φίρμα Techtron Industries GmbH, Max-Eyth-Strasse 10, 71364 Winnenden, Germany.

ΜΠΑΤΑΡΙΕΣ

Μια θερμοκρασία πάνω από 50°C μειώνει την ισχύ της ανταλλακτικής μπαταρίας. Αποφύγετε τη θέρμανση για μεγαλύτερο χρονικό διάστημα από τον ήλιο ή τις συσκευές θέρμανσης.

Διατηρείτε τις επαφές σύνδεσης στο φορτιστή και στην ανταλλακτική μπαταρία καθαρές.

Για μια άριστη διάρκεια ζωής πρέπει μετά τη χρήση οι μπαταρίες να φορτιστούν πλήρως. Επαναφορτίστε τις ανταλλακτικές μπαταρίες που δεν έχουν χρησιμοποιηθεί για μεγαλύτερο χρονικό διάστημα πριν τη χρήση.

Για μια κατά το δυνατόν μεγάλη διάρκεια ζωής οι μπαταρίες μετά τη φόρτιση οφείλουν να αφαιρεθούν από το φορτιστή.

Για την αποθήκευση της μπαταρίας για διάστημα μεγαλύτερο των 30 ημερών, Αποθηκεύετε τη μπαταρία περ. στους 27°C σε στεγνό χώρο, Αποθηκεύετε τη μπαταρία περ. στο 30%-50% της κατάστασης φόρτισης., Κάθε 6 μήνες φορτίζετε εκ νέου τη μπαταρία.

Μην πετάτε τις μεταχειρισμένες ανταλλακτικές μπαταρίες στη φωτιά ή στα οικιακά απορρίμματα. Η Milwaukee προσφέρει μια απόσυρση των παλιών ανταλλακτικών μπαταριών σύμφωνα με τους κανόνες προστασίας του περιβάλλοντος, ρωτήστε παρακαλώ σχετικά στο ειδικό κατάστημα πώλησης.



EL

Μην αποθηκεύετε τις ανταλλακτικές μπαταρίες μαζί με μεταλλικά αντικείμενα (κίνδυνος βραχυκυκλώματος).

Όταν υπάρχει υπερβολική καταπόνηση ή υψηλή θερμοκρασία μπορεί να τρέξει υγρό μπαταρίας από τις χαλασμένες επαναφορτιζόμενες μπαταρίες. Αν έρθετε σε επαφή με υγρό μπαταρίας να πλυθείτε αμέσως με νερό και σαπούνι. Σε περίπτωση επαφής με τα μάτια να πλυθείτε σχολαστικά για τουλάχιστον 10 λεπτά και να αναζητήσετε αμέσως ένα γιατρό.

Στη θήκη υποδοχής των ανταλλακτικών μπαταριών του φορτιστή δεν επιτρέπεται να φθάνουν μεταλλικά αντικείμενα (κίνδυνος βραχυκυκλώματος).

ΜΕΤΑΦΟΡΑ ΤΩΝ ΜΠΑΤΑΡΙΩΝ ΙΟΝΤΩΝ ΛΙΘΙΟΥ

Οι μπαταρίες ιόντων λιθίου υπόκεινται στις απαιτήσεις των νομικών διατάξεων για την μεταφορά επικινδύνων εμπορευμάτων.

Η μεταφορά τέτοιων μπαταριών πρέπει να πραγματοποιείται τηρώντας τους τοπικούς, εθνικούς και διεθνείς κανονισμούς και τις αντίστοιχες διατάξεις.

Επιτρέπεται η μεταφορά τέτοιων μπαταριών στο δρόμο χωρίς περαιτέρω απαιτήσεις.

Η εμπορική μεταφορά μπαταριών ιόντων λιθίου από εταιρείες μεταφορών υπόκειται στις απαιτήσεις των νομικών διατάξεων για την μεταφορά επικινδύνων εμπορευμάτων. Οι προετοιμασίες αποστολής και η μεταφορά πραγματοποιούνται αποκλειστικά από ειδικά εκπαιδευμένα πρόσωπα. Η συνολική διαδικασία συνοδεύεται από εξειδικευμένο προσωπικό.

Κατά τη μεταφορά μπαταριών ιόντων λιθίου πρέπει να προσέχετε τα εξής:

Φροντίστε τα σημεία επαφών να είναι προστατευμένα και μονωμένα ώστε να αποφευχθούν βραχυκυκλώματα. Προσέξτε το πακέτο μπαταριών να είναι σταθερό μέσα στη συσκευασία και να μη γλιστρά. Η μεταφορά μπαταριών που παρουσιάζουν φθορές ή διαρροές δεν επιτρέπεται. Για περισσότερες πληροφορίες απευθυνθείτε στην εταιρεία μετάφορων.

ΔΗΛΩΣΗ ΠΙΣΤΟΤΗΤΑΣ ΕΚ

Δηλώνουμε με αποκλειστική μας ευθύνη, ότι το προϊόν που περιγράφεται στα «Τεχνικά Χαρακτηριστικά» συμμορφώνεται με όλες τις σχετικές διατάξεις των οδηγιών

2011/65/EU (RoHS)

2006/42/EC

2014/30/EU

και έχουν εφαρμοστεί τα ακόλουθα εναρμονισμένα πρότυπα

EN 62841-1:2015

EN 55014-1:2017+A11:2020

EN 55014-2:2015

EN IEC 63000:2018



Winnenden, 2020-11-09

Alexander Krug / Managing Director
Εξουσιοδοτημένος να συντάξει τον τεχνικό φάκελο.
Techtronic Industries GmbH
Max-Eyth-Straße 10, 71364 Winnenden, Germany

ΣΥΜΒΟΛΑ



Παρακαλώ διαβάστε σχολαστικά τις οδηγίες χρήσης πριν από την έναρξη λειτουργίας.



Στις εργασίες με τη μηχανή φοράτε πάντοτε προστατευτικά γυαλιά.



Δύναμη έλξης



ΠΡΟΣΟΧΗ! ΠΡΟΕΙΔΟΠΟΙΗΣΗ! ΚΙΝΔΥΝΟΣ!



Πριν από κάθε εργασία στη μηχανή αφαιρείτε την ανταλλακτική μπαταρία.



Διατηρείτε τα χέρια μακριά από το εργαλείο κοπής και άλλα κινούμενα εξαρτήματα. Ενέχει κίνδυνος εγκλωβισμού των δακτύλων στο μηχανισμό κοπής, με συνέπεια την αποκοπή ή τον τραυματισμό τους.



Εξαρτήματα - Δεν περιλαμβάνονται στα υλικά παράδοση, συνηστούμενη προσθήκη από το πρόγραμμα εξαρτημάτων.



Ηλεκτρικά μηχανήματα, μπαταρίες/συσσωρευτές δεν επιτρέπεται να απορρίπτονται μαζί με τα οικιακά απορρίμματα. Ηλεκτρικά μηχανήματα και συσσωρευτές συλλέγονται ξεχωριστά και παραδίδονται προς ανακύκλωση με τρόπο φιλικό προς το περιβάλλον σε επιχείρηση επεξεργασίας απορριμμάτων. Ενημερωθείτε από τις τοπικές υπηρεσίες ή από ειδικευμένους εμπόρους σχετικά με κέντρα ανακύκλωσης και συλλογής απορριμμάτων.

V

Τάση



Συνεχές ρεύμα



Ευρωπαϊκό σήμα πιστότητας



Βρετανικό σήμα πιστότητας



Ουκρανικό σήμα πιστότητας



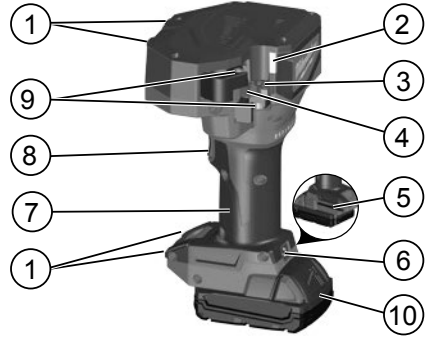
Ευρασιατικό σήμα πιστότητας



TEKNİK VERİLER	M18 BLTRC
Üretim numarası	4775 24 02... ... 000001-999999
Kartuş akü gerilimi	18 V
Kesim alanı	M 6 x 1
Çelikte	M 8 x 1,25 M 10 x 1,5 M 12 x 1,75
Kesim alanı	M 6 x 1
Paslanmaz çelik	M 8 x 1,25 M 10 x 1,5
Ağırlığı ise EPTA-üretici 01/2014'e göre (Li-Ion 2,0 Ah...12,0 Ah)	3,9 kg...5,0 kg
Çalıştırılması için tavsiye edilen ortam sıcaklığı	-18°C ... +50°C
Tavsiye edilen güç paketleri	M18B... M18HB...
Tavsiye edilen şarj aletleri	M12-18...
Gürültü bilgileri	
Ölçüm değerleri EN 62841 e göre belirlenmektedir. Aletin, frekan-sa bağımlı uluslararası ses basıncı seviyesi değerlendirme eğrisi A'ya göre tipik gürültü seviyesi:	
Ses basıncı seviyesi (Tolerans K=3dB(A))	75,27 dB (A)
Akustik kapasite seviyesi (Tolerans K=3dB(A))	86,27 dB (A)
Koruyucu kulaklık kullanın!	
Vibrasyon bilgileri	
Toplam titreşim değeri (üç yönün vektör toplamı) EN 62841'e göre belirlenmektedir:	
titreşim emisyon değeri a_h	0,48 m/s ²
Tolerans K=	1,5 m/s ²



Tür



Cihazın tanımı

- | | |
|--------------------------|------------------------------------|
| ① Tezgahüstü destekler | ⑥ Tetik serbest bırakma |
| ② LED | ⑦ Tutamak İzolasyonlu tutma yüzeyi |
| ③ Sabit lokma | ⑧ Tetik |
| ④ Hareketli lokma | ⑨ Altıgen Soket Somunlar |
| ⑤ Altıgen anahtar (5 mm) | ⑩ Akü |

⚠ UYARI Cihazla birlikte gelen tüm güvenlik uyarılarını, talimatları, çizimleri ve bilgileri okuyun. Aşağıdaki talimat hükümlerine uymadığınız takdirde elektrik çarpması, yangın veya ağır yaralanma tehlikesi ile karşılaşabilirsiniz.

Bütün uyarıları ve talimat hükümlerini ileride kullanmak üzere saklayın.

⚠ GÜVENLİĞİNİZ İÇİN TALİMATLAR

Bu cihazın operatörü, cihazı ilk kez kullanmadan önce ve bundan en fazla bir yıl sonra bu cihazı kullanmakla bağlantılı belirli tehlikeler ve temel güvenlik önlemleri konusunda eğitilmiş olmalıdır.

İşletme için şirketin şartları yapması gerekir:

- Operatörün kullanma kılavuzuna erişebilmesini sağlamak
- ve okuyup anladığından emin olmak.

Etiketleri ve isim levhalarını koruyun. Bunlar önemli bilgiler taşıyor. Okunmıyor veya eksik olmaları halinde, değiştirilmeleri gerekir.

Aletleri kullanırken daima sağduyulu davranın ve dikkatli olun. Tehlike doğurabilecek her durumu önceden tahmin etmek mümkün değildir. Bu işleme talimatlarını anlamıyor veya işin sizin becerilerinizin ötesinde olduğunu hissediyorsanız, ilave bilgi ya da eğitim almak için Milwaukee Tool veya eğitimli bir uzmanla irtibata geçin.

Elektrik akımı taşıyan parçalar üzerinde taşımayın. Cihaz yalıtımlı DEĞİLDİR.

Elleri ve sarkan giysileri kesici aletlerden ve diğer hareketli parçalardan uzak tutun. Vücut azalarının kesilmesi dahil, ciddi yaralanma tehlikesi mevcuttur. Koruyucu ekipman kullanın.

Aletle çalışırken daima koruyucu gözlük kullanın. Koruyucu elbise ve tozdan korunma maskesi, emniyet eldivenleri ve sağlam ve kaymaya mukavim ayakkabı giyin. Başlık ve kulaklık tavsiye edilir.

Yaralanma riskini azaltmak için aletin kullanımı veya bakımı sırasında emniyet gözlüğü veya yan korumalı gözlük kullanın. Malzeme çatlayabilir veya kırılabilir.

UYARI!

Bu talimatlarda belirtilen titreşim seviyesi, EN 62841 standardına uygun bir ölçme metodu ile ölçülmüştür ve elektrikli el aletleri birbiriyle karşılaştırmak için kullanılabilir. Ölçüm sonuçları ayrıca titreşim yükünün geçici değerlendirmesi için de uygundur.

Belirtilen titreşim seviyesi, elektrikli el aletinin genel uygulamaları için geçerlidir. Ancak elektrikli el aleti başka uygulamalar için, farklı eklenti parçalarıyla ya da yetersiz bakım koşullarında kullanılırsa, titreşim seviyesi farklılık gösterebilir. Bu durumda, titreşim yükü toplam çalışma zamanı aralığı içerisinde belirgin ölçüde yükselebilir.

Titreşim yükünün tam bir değerlendirilmesi için ayrıca cihazın kapalı olduğu süreler ve cihazın çalışır durumda olduğu, ancak gerçek kullanımda bulunmadığı süreler de dikkate alınmalıdır. Böylelikle, toplam çalışma zamanı aralığı boyunca meydana gelen titreşim yükü belirgin ölçüde azaltılabilir.

Kullanıcıyı titreşimlerin etkisinden korumak üzere, örneğin elektrikli el aletlerinin ve eklenti parçalarının bakımı, ellerin sıcak tutulması ve iş akışlarının organizasyonu gibi ek güvenlik tedbirleri belirleyiniz.

Türkçe

Yaralanma ve hasardan kaçınmak için cihazın kazayla çalışmasını önleyin.
Aleti asla çeneler ve kesici lokmalar alanında tutmayın.

Kullanmadan önce, lokmaları ve çeneleri çatlak ve diğer aşınma belirtileri yönünden mutlaka kontrol edin.

Dişli çubuk kesiciyi, pil paketini ve şarj cihazını ancak teknik olarak kusursuz olmaları koşuluyla kullanın.

Hasarları derhal yetkili bir tamirhanede tamir ettiriniz.

Aletin kendinde bir çalışma yapmadan önce kartuş aküyü çıkarın.

Aleti lokmalar takılı değilken kullanmayın. Lokmalar yerindeyken de yerinde değilken de parmaklar ezilebilir.

Kesim yapmadan önce bütün ayar aletlerini ve anahtarları çıkarın.

Yaralanma ve hasarları önlemek için aleti, çıkarılabilir pili veya şarj cihazını asla bir sıvıya batırmayın, içlerine sıvı girmesine izin vermeyin.

Parmaklar kesici lokmalara yaklaşabileceğinden işlenecek parçaları kısa uzunlukta kesmeyin. Lokmalar keskindir!

İşlenecek parça herhangi bir mekanik kuvvete maruz bırakılmamalıdır.

Patlama, elektrik çarpması ve mal ve ekipmana hasar riskini düşürmek için akım taşıyan nesnelere çalışmayın.

Alet yalıtımlı DEĞİLDİR. Gerilimli bir devreyi kesmek ciddi yaralanmaya ya da ölüme yol açabilir.

Lokmalardaki bıçaklar keskindir. Ellerinizi kesici uçlardan ve hareketli aksamdan uzak tutun. Eli bıçaklara yakın tutacak kısa uzunlukta malzemeler kesmekten kaçının. Kesik ya da amputasyon oluşabilir.

UYARI Elektrikli zımparalama, testereleme, taşlama, delme ve diğer yapı faaliyetlerinden kaynaklanan bazı tozlar kansere, doğum kusurlarına veya başka üreme bozukluklarına neden olduğu bilinen kimyasallar içerir. Bu kimyasallardan bazıları şunlardır:

-kurşun bazlı boyadan kaynaklanan kurşun

• tuğla, çimento ve diğer duvarcılık ürünlerinden kaynaklanan kristal silika ve

• kimyasal işlem görmüş keresteden kaynaklanan arsenik ve krom.

Bu malzemelere maruz kalmaktan ötürü oluşan risk, bu tür işleri ne sıklıkla yaptığınıza bağlı olarak değişir. Bu kimyasallara daha az maruz kalmak için, iyi havalandırılmış bir alanda ve mikroskobik parçacıkları filtrelemek için özel olarak tasarlanmış toz maskeleri gibi onaylı güvenlik ekipmanları kullanarak çalışın.

UYARI! Bir kısa devreden kaynaklanan yangın, yaralanma veya ürün hasarları tehlikesini önlemek için aleti, güç paketini veya şarj cihazını asla sıvıların içine daldırmayınız ve cihazların ve pillerin içine sıvı girmesine önleyiniz. Tuzlu su, belirli kimyasallar, ağartıcı madde veya ağartıcı madde içeren ürünler gibi korozyif veya iletken sıvılar kısa devreye neden olabilir.

M18 sistemli kartuş aküleri sadece M18 sistemli şarj cihazları ile şarj edin. Başka sistemli aküleri şarj etmeyin.

Kartuş aküleri ve şarj cihazını açmayın ve sadece kuru yerlerde saklayın. Neme ve ıslanmaya karşı koruyun.

KULLANIM

Bu ağır dişli çubuk kesici, profesyonel uygulamalar için tasarlanmıştır.

UYARI: Yaralanma riskini azaltmak için, sadece kesici lokmalara yönelik malzemeleri kesin (bkz. „Teknik Özellikler“). Başka malzeme kesmeye çalışmayın.

Bu alet, dişli çubuğu temiz ve çapaksız bir şekilde keserek somunlarda ilave örtüşme gerek kalmadan elle dış açılmasını sağlar. İşlenecek parçanın kalitesi, kir ve ölçek, somunlarda elle dış açma becerisini etkileyebilir.

NOT: Bu aleti aşağıda listelenen boyut ve malzemeleri kesmek için kullanın. Diğer boyutlar ve malzemeler alete ve işlenecek parçaya zarar verir.

Islak koşullar altında ya da yanıcı sıvılar veya gazlar varken ÇALIŞTIRMAYIN.

Tavli avataları kesmek, farklı boyutlarda dişler veya çubuğu güçlendirmek için KULLANMAYIN.

NOT: Çubuk kesici, somun elle kesme çubuğunun üzerine geçirilecek şekilde tasarlanmıştır. Dış kalitesi, yüzey tesviyesi (örn. galvanize veya kaplamalı), kir ve ölçek, somunun serbestçe kesme çubuğunun üzerine geçirilme becerisini etkileyebilir.

UYARI: Lokmaların döngü tamamlanmadan açılması gerekirse, ana tutamağı asla serbest bırakmayın. Gösterge lambası yanana kadar ters çevirme düğmesine basmak için diğer elinizi kullanın. Elinizi tekrar işlenecek parçanın üzerine koyun ve sıkıca tutun. Ardından, lokmaları açmak için alet otomatik olarak durana kadar ana tetiğe basın.

UYGULAMA

Cihazı kullanırken daima gözlük takın.

Kesici lokmalar keskindir. Ellerinizi kesici uçlardan ve hareketli aksamdan uzak tutun. Eli kesici lokmalara yakın tutacak kısa uzunlukta malzemeler kesmekten kaçının. Kesik ya da amputasyon oluşabilir.

Üstten kullanım esnasında, kesme işlemi tamamlandıktan sonra parçaların düşmesini önlemek için çubuğun HER İKİ ucunun emniyette olduğundan emin olun.

Kesme

- Kullanmadan önce, kesici lokmaların uygun çubuk boyutuna göre hizalandığından emin olun.
 - Altıgen somunların sağlam bir şekilde sıkıldığından emin olun.
 - Kesici lokma bıçağının ömrünü uzatmak için temiz malzeme kesin.
 - Kesmeye başlamadan önce malzeme ve kesici lokmaların üzerindeki kir ve döküntüleri silin.
 - Kesici lokmalarda sadece bunun için tasarlanmış malzemeler üzerinde kullanın. Diğer malzemeler kesici lokmaya ve alete zarar verebilir.
 - Pil paketini takın.
 - İdeal lokma ömrünü sağlamak için, dişli çubuk kesim esnasında lokmalara tam olarak tutturulmuş olmalıdır. Doğru bir çalışma için, kesmeden önce işlenecek parçayı daima sabitleyin.
 - Açılı kesimler yapmayın. Kesici lokmalara ve işlenecek parçaya zarar verir. Kesimi başlatırken, malzemeyi sabitlemiş kesici lokmaya karşı sıkıca ve emniyetli bir şekilde tutun.
 - Tersine çalıştırmak için ters çevirme düğmesine basın; düğmenin ışığı yanar. Tersine işlem için tetiği basılı tutun.
- NOT: Alet tersine moda ancak çeneler tamamen açık DEĞİLSE girer.



Terse Çevirme Düğmesi

Kesici çenelerin döngü tamamlanmadan açılması gerekirse:

1. Tetiği serbest bırakın.
2. Terse çevirme düğmesine basın; düğmenin ışığı YANAR.
3. Tetiği çekin ve kesici çeneler tamamen açılıncaya kadar sıkıca tutun. NOT: Alet tersine moda ancak çeneler tamamen açık DEĞİLSE girer.

Kesici Lokmaların Sıkışması

Pislik ve döküntüler kesim işleminden sonra bıçakların sıkışmasına neden olabilir. Takım kapanıyor ve kesici çeneleri hala kapalı kalıyorsa:

1. Terse çevirme düğmesine basın ve kesici çeneler tamamen açılana kadar tetiği çekin.
2. Pili paketini çıkarın.
3. Kesici lokmaları „Kesici Lokmaları Çıkarma/Değiştirme“ bölümü uyarınca çıkarın, temizleyin ve yeniden takın.

BAKIM

Aletin kendinde bir çalışma yapmadan önce kartuş aküyü çıkarın.

Dişli çubuk kesiciyi, çıkarılabilir pili ya da şarj cihazını asla açmayın. Dişli çubuk kesiciyi gürültü veya hareketli aksamda aleti etkileyebilecek sıkışmalar gibi sorunlar yönünden kontrol edin.

Kesme aletlerinin çatlak ve diğer aşınma belirtileri yönünden kontrol edin.

Açıklıklardaki toz ve döküntüleri temizleyin. Tutamağı temiz, kuru, yağsız ve gressiz tutun. Bazı temizleme maddeleri ve solventler plastiklere ve diğer yalıtımlı parçalara zarar verdiğinden, temizlemek için sadece yumuşak sabun ve nemli bir bez kullanın. Bu maddeler arasında benzin, terebentin, lake tineri, tiner, klorlu temizleme solventleri, amonyak ve amonyak içeren ev deterjanları yer alır. Aletlerin çevresine asla yanabilir veya tutuşabilir solvent kullanmayın.

Kesme aletlerinin keskin olup olmadığını kontrol edin, aşınmış kesme aletlerini değiştirin.

Ağızları bozulmuş ya da hasarlı kesme aletlerini değiştirin. Kesme aletlerini hep takım olarak değiştirin. Sadece MILWAUKEE bıçaklarını kullanın.

Yaralanma ve hasarları önlemek için aleti, çıkarılabilir pili veya şarj cihazını asla bir sıvıya batırmayın, içlerine sıvı girmesine izin vermeyin.

Aletin havalandırma aralıklarını daima temiz tutun.

Diğer bakım ve tamir işleri sadece yetkili tamirhaneler tarafından yapılabilir.

Sadece Milwaukee aksesuarı ve yedek parçası kullanın. Nasıl değiştirileceği açıklanmamış olan yepi parçalarını bir Milwaukee müşteri servisinden değiştirin (Garanti ve servis adresi broşürüne dikkat edin).

Gerektiği takdirde aletin dağınık görünüş şeması, alet tipinin ve tip etiketi üzerindeki sayının bildirilmesi koşuluyla müşteri servisinden veya doğrudan Techtronic Industries GmbH, Max-Eyth-Str. 10, 71364 Winnenden, Germany adresinden istenebilir.

AKÜ

50°C üzerindeki sıcaklıklar kartuş akünün performansını düşürür. Akünün güneş ışığı veya mekân sıcaklığı altında uzun süre ısınmamasına dikkat edin.

Şarj cihazı ve kartuş aküdeki bağlantı kontaklarını temiz tutun.

Akünün ömrünün mükemmel bir şekilde uzun olması için kullandıktan sonra tamamen doldurulması gerekir. Uzun süre kullanılmı dışı kalmış kartuş aküleri kullanmadan önce şarj edin.

Ömrünün mümkün olduğu kadar uzun olması için akülerin yüklemle yapıldıktan sonra doldurma cihazından uzaklaştırılması gerekir.

Akünün 30 günden daha fazla depolanması halinde; Aküyü takriben 27°C'de kuru olarak depolayın., Aküyü yüklemle durumunun takriben % 30 - %50 olarak depolayın., Aküyü her 6 ay yeniden doldurun.

Kullanılmış kartuş aküleri ateşe veya ev çöplerine atmayın. Milwaukee, kartuş akülerin çevreye zarar vermeyecek biçimde tasfiye edilmesine olanak sağlayan hizmet sunar; lütfen bu konuda yetkili satıcınızdan bilgi alın.

Kartuş aküleri metal parça veya eşyalarla birlikte saklamayın (kısa devre tehlikesi).

Aşırı zorlanma veya aşırı ısınma sonucu hasar gören kartuş akülerden batarya sıvısı dışarı akabilir. Batarya sıvısı ile temasa gelen yeri hemen bol su ve sabunla yıkayın. Batarya sıvısı gözünüze kaçacak olursa en azından 10 dakika yıkayın ve zaman geçirmeden bir hekime başvurun.

Şarj cihazının kartuş akü yuvasına hiçbir şekilde metal parçalar kaçmamalıdır (kısa devre tehlikesi).

LİTYUM İYON PİLLERİN TAŞINMASI

Lityum iyon piller tehlikeli madde taşımacılığı hakkındaki yasal hükümler tabidir.

Bu piller, bölgesel, ulusal ve uluslararası yönetmeliklere ve hükümlere uyularak taşınmak zorundadır.

Tüketiciler bu pilleri herhangi bir özel şart aranmaksızın karayoluyla taşıyabilirler.

Lityum iyon pillerin nakliye şirketleri tarafından ticari taşımacılığı için tehlikeli madde taşımacılığının hükümleri geçerlidir. Sevk hazırlığı ve taşıma sadece ilgili eğitimi görmüş personel tarafından gerçekleştirilebilir. Bütün süreç uzmanca bir refakatçilik altında gerçekleştirilmelidir.

Pillerin taşınması sırasında aşağıdaki hususlara dikkat edilmesi gerekmektedir:

Kısa devre oluşmasını önlemek için kontakların korunmuş ve izole edilmiş olmasını sağlayınız. Pili paketinin ambalajı içinde kaymamasına dikkat ediniz. Hasarlı veya akmış pillerin taşınması yasaktır. Ayrıca bilgiler için nakliye şirketinize başvurunuz.

CE UYGUNLUK BEYANI

"Teknik veriler" başlığı altında tanımlanan ürünün, sayılı direktiflerdeki tüm hükümleri

2011/65/EU (RoHS)

2006/42/EC

2014/30/EU

uyumlaştırılmış standartları

EN 62841-1:2015

EN 55014-1:2017+A11:2020

EN 55014-2:2015

EN IEC 63000:2018



Winnenden, 2020-11-09

Alexander Krug / Managing Director

Teknik evrakları hazırlamakla görevlendirilmiştir.

Techtronic Industries GmbH

Max-Eyth-Straße 10, 71364 Winnenden, Germany

SEMBOLLER



Lütfen aleti çalıştırmadan önce kullanma kılavuzunu dikkatli biçimde okuyun.



Aletle çalışırken daima koruyucu gözlük kullanın.



Çekme kuvveti



DİKKAT! UYARI! TEHLİKE!



Aletin kendinde bir çalışma yapmadan önce kartuş aküyü çıkarın.



Elleri kesici aletten ve diğer hareketli parçalardan uzak tutun. Parmaklar kesme mekanizmasına yakalanarak kopabilir ya da yaralanabilir.



Aksesuar - Teslimat kapsamında değildir, önerilen tamam-lamalar aksesuar programında.



Elektrikli cihazların, pillerin/akülerin evsel atıklarla birlikte bertaraf edilmesi yasaktır. Elektrikli cihazlar ve aküler ayrılarak biriktirilmeli ve çevreye zarar vermeden bertaraf edilmeleri için bir atık değerlendirme tesisine götürülmelidirler. Yerel makamlara veya satıcınıza geri dönüşüm tesisleri ve atık toplama merkezlerinin yerlerini danışınız.

V

Voltaaj



Doğru akım



Avrupa uyumluluk işareti



Britanya uyumluluk işareti



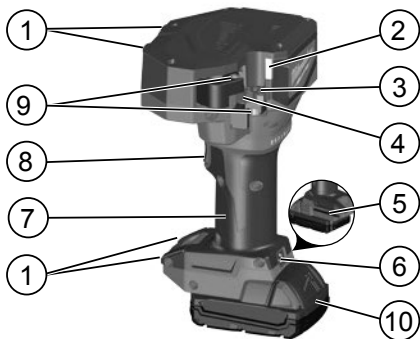
Ukrayna uyumluluk işareti



Avrasya uyumluluk işareti



TECHNICKÁ DATA Řezačka závitových tyčí	M18 BLTRC
Výrobní číslo	4775 24 02... ... 000001-999999
Napětí výměnného akumulátoru	18 V
Oblast řezu Ocel	M 6 x 1 M 8 x 1,25 M 10 x 1,5 M 12 x 1,75
Oblast řezu Ušlechtilá ocel	M 6 x 1 M 8 x 1,25 M 10 x 1,5
Hmotnost podle prováděcího předpisu EPTA 01/2014 (Li-Ion 2,0 Ah...12,0 Ah)	3,9 kg...5,0 kg
Doporučená teplota okolí pro provoz	-18°C ... +50°C
Doporučené akupaky	M18B... M18HB...
Doporučené nabíječky	M12-18...
Informace o hluku	
Naměřené hodnoty odpovídají EN 62841. V třídě A posuzovaná hladina hluku přístroje činí typicky:	
Hladina akustického tlaku (Kolísavost K=3dB(A))	75,27 dB (A)
Hladina akustického výkonu (Kolísavost K=3dB(A))	86,27 dB (A)
Používejte chrániče sluchu!	
Informace o vibracích	
Celkové hodnoty vibrací (vektorový součet tří směrů) zjištěné ve smyslu EN 62841.	
Hodnota vibračních emisí a _h	0,48 m/s ²
Kolísavost K=	1,5 m/s ²



Popis zařízení

- | | |
|-----------------------------|---|
| ① Stolní podpěry | ⑦ Rukojeť
Izolovaná uchopovací
plocha |
| ② LED kontrolka | ⑧ Spoušť |
| ③ Fixní závitová matice | ⑨ Šrouby s vnitřním
šestihranem |
| ④ Pohyblivá závitová matice | ⑩ Akumulátory |
| ⑤ Imbusový klíč (5 mm) | |
| ⑥ Uvolňovací spoušť | |

⚠ VAROVÁNÍ Přečtěte si všechny bezpečnostní pokyny, instrukce, popisy a údaje, které obdržíte s přístrojem. Pokud následující pokyny nedodržíte, může to vést k úderu elektrickým proudem, požáru nebo těžkým poraněním.

Všechna varovná upozornění a pokyny do budoucna uschovejte.

⚠ SPECIÁLNÍ BEZPEČNOSTNÍ UPOZORNĚNÍ

Obsluha tohoto zařízení musí být poučena o konkrétních nebezpečích spojených s použitím tohoto zařízení a o základních bezpečnostních opatřeních před začátkem první práce s ním a pak přinejmenším jednou za rok.

Provozní podnik musí:

- poskytnout obsluze návod k použití a
- zajistit, aby si ho obsluha přečetla a pochopila.

Udržujte etikety a štítky. Tyto obsahují důležité informace. Pokud jsou nečitelné nebo chybí, musí být vyměněny.

Vždy používejte zdravý rozum a buďte opatrní při používání nářadí. Není možné předvídat každou situaci, která by mohla vést k nebezpečným důsledkům. Nepoužívejte toto nářadí, pokud nerozumíte tomuto návodu k obsluze nebo pokud máte pocit, že práce je nad rámec Vašich schopností. Obratě se na Milwaukee Tool nebo vyškolený profesionál pro další informace nebo školení.

Nepracujte na elektricky živých částech. Zařízení NENÍ izolováno.

Ruce a volné oblečení mějte v dostatečné vzdálenosti od řezacích nástrojů a jiných pohyblivých dílů. Hrozí nebezpečí těžkého zranění, včetně amputace končetin.

Používejte ochranné pomůcky. Při práci se strojem neustále nosit ochranné brýle. Doporučujeme rovněž použití součástí ochranného oděvu a ochranné obuvi, jako protiprašné masky, ochranných rukavic, pevné a neklouzající obuvi, ochranné přilby a ochrany sluchu.



Čes

Aby se snížilo nebezpečí zranění, používejte při provozu nebo provádění servisu na nářadí bezpečnostní brýle nebo brýle s bočními štítky. Materiál může prasknout nebo se rozbít.

Zabraňte náhodnému spuštění zařízení, aby nedošlo ke zranění nebo poškození.

Nikdy nadržte nářadí v oblasti čelistí a řezných nástrojů.

Před použitím vždy zkontrolujte nástroje a čelisti z hlediska prasklin a jiných známek opotřebení.

Řezačku závitových tyčí, akumulátor a nabíječku používejte, jen když jsou v perfektním technickém stavu.

Poškození nechte okamžitě opravit v autorizované speciální dílně.

Před zahájením veškerých prací na vrtacím šroubováku vymout výměnný akumulátor.

Nepoužívejte nářadí bez instalovaných nástrojů. Prsty by mohly být rozdrácené s nebo bez nástrojů na místě.

Než provedete řez, odstraňte všechny nastavovací nástroje a klíče.

Aby nedošlo ke zranění nebo poškození, neponořujte nikdy nástroj, vyjímatelnou baterii nebo nabíječku do kapaliny a nedovolte, aby do nich nějaká kapalina vnikla.

Neřežte krátké délky obrobku, kde se prsty mohou dostat do blízkosti řezných nástrojů. Nástroje jsou ostré!

Obrobek nesmí být vystaven žádným mechanickým silám.

Aby se snížilo nebezpečí výbuchu, zasažení elektrickým proudem a poškození majetku a vybavení, neřežte nikdy objekty pod napětím.

Nástroj **NEJ** izolovaný. Dotyk s obvodem pod napětím může vést k těžkému zranění nebo usmrcení.

Čepele na nástrojích jsou ostré. Nesahejte rukama do blízkosti řezacích břitů a pohyblivých částí. Vyhybejte se řezání krátkých kusů materiálu, které vystavují ruce blízko čepelím. Může dojít k potrhání a amputaci.

VAROVÁNÍ Některý prach vytvořený silovým broušením, řezáním, broušením, vrtáním a jinými stavebními činnostmi obsahuje chemikálie, o kterých je známo, že způsobují rakovinu, vrozené vady nebo jiné reprodukční chyby. Některé příklady těchto chemikálií jsou:

- olovo z nátěrů na bázi olova
- krystalický křemem z cihel a cementu a jiných zdicích výrobků a
- arsen a chrom z chemicky ošetřovaného železa.

Vaše riziko z těchto expozic se liší v závislosti na tom, jak často děláte tento typ práce. Pro snížení Vaší expozice těmto chemikáliím: pracujte v dobře větraném prostoru a pracujte se schváleným bezpečnostním vybavením, jako jsou masky na ochranu proti prachu, které jsou speciálně určeny k filtrování mikroskopických částic.

VAROVÁNÍ! Abyste zabránili nebezpečí požáru způsobeného zkratem, poraněním nebo poškozením výrobku, neponořujte nářadí, výměnnou baterii nebo nabíječku do kapalin a zajistěte, aby do zařízení a akumulátorů nevnikly žádné tekutiny. Korodující nebo vodivé kapaliny, jako je slaná voda, určité chemikálie a bělicí prostředky nebo výrobky, které obsahují bělidlo, mohou způsobit zkrat.

Akumulátor systému M18 nabíjejte pouze nabíječkou systému M18. Nenabíjejte akumulátory jiných systémů.

Náhradní akumulátory ani nabíječku neotvírejte, skladujte je v suchu, chraňte před vlhkem.

OBLAST VYUŽITÍ

Tato vysoce výkonná řezačka závitových tyčí je určena pro profesionální použití.

VAROVÁNÍ: Pro snížení rizika zranění řežte pouze materiály pro řezné nástroje (viz „Specifikace“). Nepokoušejte se řežat jiné materiály.

Toto nářadí odřízne závitovou tyč čisté a bez vzniku otrěpu a umožní, aby byly matice dány na závit ručně bez dodatečné úpravy. Kvalita obrobku, nečistota a povlak by mohly ovlivnit schopnost ručního nasazování matic na závit.

POZNÁMKA: Používejte toto nářadí na řezání velikostí a materiálů uvedených níže. Jiné velikosti nebo materiály poškodí nářadí a obrobek.

NEPROVOZUJTE ani **NEPOUŽÍVEJTE** ve vlhkých podmínkách ani v přítomnosti hořlavých kapalin nebo plynů.

NEPOUŽÍVEJTE na řezání tvrdých šroubů, závitů různých velikostí nebo armovacích tyčí.

POZNÁMKA: Řezačka tyčí je navržena tak, aby se matice dala ručně nasadit na závit na řezané tyči. Kvalita vlákná, povrchová úprava (t.j. pozinkovaná nebo pokovená), nečistoty a povlak by mohly ovlivnit schopnost nasadit maticí volně na řezanou tyč.

VAROVÁNÍ: Pokud se nástroje musí otevřít bez dokončení cyklu, nikdy neuvolňujte hlavní rukojeť. Pomocí druhé ruky stiskněte tlačítko zpětného chodu, dokud se nerozsvítí kontrolka. Položte ruku zpět na obrobek a držte ho bezpečně. Poté stiskněte hlavní spouštěcí spínač, dokud se nářadí automaticky nezastaví na otevření nástrojů.

POUŽITÍ

Při používání zařízení vždy noste ochranné brýle.

Řezné nástroje jsou ostré. Nesahejte rukama do blízkosti řezacích břitů a pohyblivých částí. Vyhybejte se řezání krátkých kusů materiálu, které vystavují ruce blízko řezným nástrojům. Může dojít k potrhání a amputaci.

Při používání nad hlavou se ujistěte, že OBA konce tyče jsou zajištěny, aby se zabránilo pádu kusů, když je řez dokončen.

Řezání

- Před použitím se ujistěte, že řezné nástroje jsou zarovnané pro správnou velikost tyče.
 - Dbejte na to, aby byly šestihlanné šrouby pevně utaženy.
 - Řežte čistý materiál, aby se prodloužila životnost čepele řezného nástroje.
 - Než začnete řežat, otřete špinu a úlomky z materiálu a řezných nástrojů.
 - Používejte řezací nástroje pouze na materiálu, pro který byly určeny. Jiné materiály by mohly poškodit řezný nástroj a nářadí.
 - Vložte akumulátor.
 - Aby byla zajištěna náležitá životnost nástroje, závitová tyč musí být při řezání úplně a správně spojená s nástroji. Pro přesnou práci vždy před řezáním zajistěte obrobek.
 - Nepokoušejte se o šikmé řezy. To by způsobilo poškození řezných nástrojů a obrobku. Při spuštění řezu držte materiál pevně a bezpečně proti fixnímu řeznému nástroji.
 - Chcete-li spustit zpětný chod, stiskněte tlačítko zpětného chodu; rozsvítí se kontrolka tlačítka. Stiskněte a podržte spouštěcí spínač pro zpětný chod.
- POZNÁMKA:** Nářadí přejde do zpětného režimu, pouze pokud čelisti **NEJSOU** zcela otevřeny.



Tlačítko zpětného chodu

Pokud se musí řezné čelisti otevřít bez ukončení řezacího cyklu:

1. Uvolněte spouštěcí spínač.
2. Stiskněte tlačítko zpětného chodu. ROZSVÍTÍ SE kontrolka tlačítka.
3. Zatáhnete spouštěcí spínač a držete nářadí pevně, dokud se řezné čelisti zcela neotevrou. POZNÁMKA: Nářadí přejde do zpětného režimu, pouze pokud čelisti NEJSOU zcela otevřeny.

Zaseknuté řezné nástroje

Špína a úlomky mohou způsobit, že řezné nástroje se dohromady zaseknou po provedení řezu. Pokud se nářadí vypne a řezné čelisti jsou stále zavřené:

1. Stiskněte tlačítko zpětného chodu a zatáhnete spouštěcí spínač, dokud se řezné čelisti zcela neotevrou. Pokud to nefunguje,
2. Vyměňte akumulátor
3. Vyberte, vyčistěte a znovu nainstalujte řezné nástroje podle pokynů v části „Vymytí/Výměna řezných nástrojů“.

ÚDRŽBA

Před zahájením veškerých prací na vrtacím šroubováku vyjmout výměnný akumulátor.

Nikdy neotvírejte řezačku závitových tyčí, výměnitelnou baterii ani nabíječku. Zkontrolujte řezačku závitových tyčí s ohledem na případné problémy, např. hluk nebo zaseknutí pohyblivých částí, které by mohly mít vliv na nářadí.

Zkontrolujte praskliny a další známky opotřebení řezacích nástrojů.

Vyčistěte prach a úlomky z otvorů. Rukojeť udržujte čistou, suchou a bez oleje nebo mastnoty. K čištění používejte pouze jemné mýdlo a navlhčenou tkaninu, protože některé čisticí prostředky a rozpouštědla škodí plastům a jiným izolovaným částem. Některé z nich jsou benzin, terpentýn, ředidlo na lak, ředidlo na barvy, chlorované čisticí rozpouštědla, amoniak a čisticí prostředky pro domácnost obsahující amoniak. Nikdy nepoužívejte hořlavá nebo zápalná rozpouštědla kolem nářadí.

Zkontrolujte ostrot řezných nástrojů a vyměňte opotřebované řezné nástroje.

Vyměňte řezné nástroje, pokud jsou odštípnuté nebo poškozené. Řezné nástroje vždy vyměňujte jako sadu. Používejte jen nože MILWAUKEE.

Aby nedošlo ke zranění nebo poškození, neponožujte nikdy nástroj, vyjimatelnou baterii nebo nabíječku do kapaliny a nedovolte, aby do nich nějaká kapalina vnikla.

Větrací štěrby nářadí udržujeme stále čisté.

Další servisní a opravárenské práce mohou provádět pouze autorizované odborné provozovny.

Používat výhradně příslušenství Milwaukee a náhradní díly Milwaukee. Díly jejichž výměny nebyla popsána, nechť vymění v autorizovaném servisu (viz. „Záruky / Seznam servisních míst“)

Při potřebě podrobného rozkresu konstrukce, oslovte informaci o typu a čísle přímo servis a nebo výrobce, Techtronic Industries GmbH, Max-Eyth-Straße 10, 71364 Winnenden, Germany.

AKUMULÁTORY

Teplota přes 50°C snižuje výkon akumulátoru. Chraňte před dlouhým přehříváním na slunci či u topení.

Kontakty nabíječky a akumulátoru udržujte v čistotě.

Pro optimální životnost je nutné akumulátory po použití plně dobít. Déle nepoužívané akumulátory je nutné před použitím znovu nabít.

K zabezpečení dlouhé životnosti by se akumulátory měly po nabití vyjmout z nabíječky.

Při skladování akumulátoru po dobu delší než 30 dní, Skladujte akumulátor v suchu při cca 27°C., Skladujte akumulátor při cca 30%-50% nabíjecí kapacity., Opakujte nabíjení akumulátoru každých 6 měsíců.

Použitě nevyhazujte do domovního odpadu nebo do ohně. Milwaukee nabízí ekologickou likvidaci starých článků, ptejte se u vašeho obchodníka s nářadím.

Náhradní akumulátor neskladujte s kovovými předměty, nebezpečí zkratu.

Při extrémní zátěži či vysoké teplotě může z akumulátoru vytekat kapalina. Při zasažení touto kapalinou okamžitě zasažená místa omyjte vodou a mýdlem. Při zasažení očí okamžitě důkladně po dobu alespoň 10min. omývat a neodkladně vyhledat lékaře.

V nabíjecím postu nabíječky neskladujte kovové předměty, nebezpečí zkratu.

PŘEPRAVA LITHIUM-IONTOVÝCH BATERIÍ

Lithium-iontové baterie spadají podle zákonných ustanovení pod přepravu nebezpečného nákladu.

Přeprava těchto baterií se musí realizovat s dodržováním lokálních, vnitrostátních a mezinárodních předpisů a ustanovení.

Spotřebitelé mohou tyto baterie bez problémů přepravovat po komunikacích.

Komerční přeprava lithium-iontových baterií prostřednictvím přepravních firem podléhá ustanovením o přepravě nebezpečného nákladu. Přípravu k vyexpedování a samotnou přepravu směji vykonávat jen příslušně vyškolené osoby. Na celý proces se musí odborně dohlížet.

Při přepravě baterií je třeba dodržovat následující:

Zajistěte, aby kontakty byly chráněné a izolované, aby se zamezilo zkratům. Dávejte pozor na to, aby se svazek baterií v rámci balení nemohl sesmeknout. Poškozené a vyteklé baterie se nesmějí přepravovat. Ohledně dalších informací se obraťte na vaši přepravní firmu.

CE-PROHLÁŠENÍ O SHODĚ

Prohlašujeme na naši výhradní odpovědnost, že produkt popsán v části „Technické údaje“ splňuje všechna příslušná ustanovení směrníc

2011/65/EU (RoHS)

2006/42/EC

2014/30/EU

a byly použity následující harmonizované normy

EN 62841-1:2015

EN 55014-1:2017+A11:2020

EN 55014-2:2015

EN IEC 63000:2018



Winnenden, 2020-11-09

Alexander Krug / Managing Director

Zplnomocněn k sestavování technických podkladů.

Techtronic Industries GmbH

Max-Eyth-Straße 10, 71364 Winnenden, Germany

SYMBOLY



Před spuštěním stroje si pečlivě přečtěte návod k používání.



Při práci se strojem neustále nosit ochranné brýle.



Tahová síla



POZOR! VAROVÁNÍ! NEBEZPEČÍ!



Před zahájením veškerých prací na vrtacím šroubováků vyjmout výměnný akumulátor.



Ruce mějte v dostatečné vzdálenosti od řezacího nástroje a jiných pohyblivých dílů. Prsty se mohou dostat do řezacího mechanismu a může dojít k jejich poranění nebo úrazu.



Příslušenství není součástí dodávky, viz program příslušenství.



Elektrická zařízení, baterie/akumulátory se nesmí likvidovat společně s odpadem z domácností. Elektrická zařízení, baterie/akumulátory je třeba sbírat odděleně a odevzdat je v recyklačním podniku na ekologickou likvidaci. Na místních úřadech nebo u vašeho specializovaného prodejce se informujte na recyklační podniky a sběrné dvory.

V napětí



Stojnosměrný proud



Značka shody v Evropě



Značka shody v Británii



Značka shody na Ukrajině



Značka shody pro oblast Eurasie



Čes

TECHNICKÉ ÚDAJE	M18 BLTRC
Rezačka závitových tyčí	
Výrobné číslo	4775 24 02... ... 000001-999999
Napätie výmenného akumulátora	18 V
Rezný rozsah Oceľ	M 6 x 1 M 8 x 1,25 M 10 x 1,5 M 12 x 1,75
Rezný rozsah Ušľachtilá oceľ	M 6 x 1 M 8 x 1,25 M 10 x 1,5
Hmotnosť podľa vykonávacieho predpisu EPTA 01/2014 (Li-Ion 2,0 Ah...12,0 Ah)	3,9 kg...5,0 kg
Odporúčaná teplota okolia pre prevádzku	-18°C ... +50°C
Odporúčaná akupaky	M18B... M18HB...
Odporúčaná nabíjačky	M12-18...
Informácia o hluku	
Namerané hodnoty určené v súlade s EN 62841. V triede A posudzovaná hladina hluku prístroja činí typicky:	
Hladina akustického tlaku (Kolísavosť K=3dB(A))	75,27 dB (A)
Hladina akustického výkonu (Kolísavosť K=3dB(A))	86,27 dB (A)
Používajte ochranu sluchu!	
Informácie o vibráciách	
Celkové hodnoty vibrácií (vektorový súčet troch smerov) zistených zmysle EN 62841.	
Hodnota vibračných emisií a _h	0,48 m/s ²
Kolísavosť K=	1,5 m/s ²



Slov

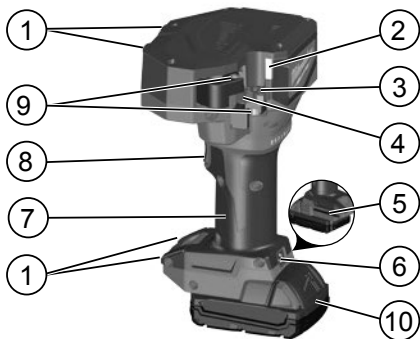
POZOR!

Úroveň vibrácií uvedená v týchto pokynoch bola nameraná meracou metódou, ktorú stanovuje norma EN 62841 a je možné ju použiť na vzájomné porovnanie elektrického náradia. Hodí sa aj na predbežné posúdenie kmitavého namáhania.

Uvedená úroveň vibrácií reprezentuje hlavné aplikácie elektrického náradia. Ak sa však elektrické náradie používa pre iné aplikácie, s odlišnými vloženými nástrojmi alebo s nedostatočnou údržbou, môže sa úroveň vibrácií líšiť. Toto môže kmitavé namáhanie v priebehu celej pracovnej doby podstatne zvýšiť.

Pre presný odhad kmitavého namáhania by sa mali tiež zohľadniť doby, v ktorých je náradie vypnuté alebo je síce v chode, ale v skutočnosti sa nepoužíva. Toto môže kmitavé namáhanie v priebehu celej pracovnej doby zreteľne redukovať.

Stanovte dodatočné bezpečnostné opatrenia pre ochranu obsluhy pred účinkami vibrácií, ako napríklad: údržba elektrického náradia a vložených nástrojov, udržiavanie teploty rúk, organizácia pracovných postupov.



Opis zariadenia

- | | |
|-----------------------------|---------------------------------------|
| ① Stolné podpery | ⑦ Rukoväť
Izolovaná úchopná plocha |
| ② LED | ⑧ Spúšťač |
| ③ Fixná závitová matica | ⑨ Skrutky s vnútorným
šesťhranom |
| ④ Pohyblivá závitová matica | ⑩ Akumulátor |
| ⑤ Imbusový kľúč (5 mm) | |
| ⑥ Uvoľňovací spúšťač | |

⚠️ POZOR Prečítajte si všetky bezpečnostné upozornenia, pokyny, vyobrazenia a údaje, ktoré dostanete spolu s prístrojom. Ak by ste nedodržali nasledujúce pokyny, mohlo by to mať za následok zásah elektrickým prúdom, vznik požiaru a/alebo vážne poranenie.

Tieto Výstražné upozornenia a bezpečnostné pokyny starostlivo uschovajte na budúce použitie.

⚠️ Špeciálne bezpečnostné pokyny

Operátor tohto prístroja musí byť poučený o konkrétnych nebezpečenstvách spojených s používaním tohto prístroja a o základných bezpečnostných opatreniach pred prvým začatím práce s ním a potom minimálne raz za rok.

Prevádzkujúca spoločnosť musí:

- dať prevádzkový manuál k dispozícii operátorovi a
- uistiť sa, že operátor si ho prečítal a pochopil.

Udržiavajte etikety a štítky. Tieto obsahujú dôležité informácie. Ak sú nečitateľné alebo chýbajú, musia sa vymeniť.

Vždy používajte zdravý rozum a buďte opatrní pri používaní náradia. Nie je možné predvídať každú situáciu, ktorá by mohla viesť k nebezpečným dôsledkom. Nepoužívajte toto náradie, ak nerozumiete tomuto návodu na obsluhu alebo ak máte pocit, že práca je nad rámec Vašich schopností. Obráťte sa na Milwaukee Tool alebo vyskolený profesionál pre ďalšie informácie alebo školenie.

Nepracujte na elektricky živých častiach. Prístroj NIE je izolovaný.

Ruky i voľnejší odev držte zďaleka od strižných nástrojov a iných pohyblivých častí. Existuje riziko vážneho poranenia, vrátane amputácie končatín.

Používajte ochranné pomôcky. Pri práci so strojom vždy noste ochranné okuliare. Doporučujeme taktiež použitie súčastí ochranného odevu a ochrannej obuvi, ako sú protiprašná maska, ochranné rukavice, pevná a neklzajúca obuv, ochranná prilba a ochrana sluchu.

Slovensky

Na zníženie rizika zranenia používajte pri prevádzke alebo vykonávaní servisu na náradí ochranné okuliare alebo okuliare s bočnými ochrannými štítmí. Materiál môže prasknúť alebo sa rozbiť.

Zabráňte náhodnému spusteniu prístroja, aby nedošlo k zraneniu alebo poškodeniu.

Nikdy nedržte náradie v oblasti čelusti a rezných nástrojov.

Pred použitím vždy skontrolujte nástroje a čeluste ohľadom prasklín a iných známkov opotrebenia.

Rezačku závitových tyčí, akumulátor a nabíjačku používajte len vtedy, ak sú v perfektnom technickom stave.

Poškodenia nechajte okamžite opraviť v autorizovanej špecializovanej dielni.

Pred každou prácou na stroji výmenný akumulátor vyťahnuť.

Nepoužívajte náradie bez inštalovaných nástrojov. Prsty by mohli byť rozdrvené s alebo bez nástrojov na mieste.

Byť vykonaním rezu odstránite akékoľvek nastavovacie nástroje a maticové kľúče.

Aby nedošlo k poraneniu a poškodeniam, nikdy neponárajte nástroj, vymeniteľnú batériu ani nabíjačku do kvapaliny a zabráňte vniknutiu kvapaliny do nich.

Nerežte krátke dĺžky obrobku, kde sa prsty môžu dostať do blízkosti rezných nástrojov. Nástroje sú ostré!

Obrobok nesmie byť vystavený žiadnym mechanickým silám.

Za účelom zníženia rizika výbuchu, úrazu elektrickým prúdom a poškodenia majetku a vybavenia, nikdy nerežte objekty pod napätím.

Nástroj NIE JE izolovaný. Kontakt so živým okruhom by mohol mať za následok vážne zranenie alebo úmrtie.

Čepele na nástrojoch sú ostré. Ruky držte ďalej od rezných hrán a pohyblivých častí. Vyhybajte sa rezaniu krátkych kusov materiálu, ktoré vystavujú ruky blízko čepeliam. Mohlo by dôjsť k tržným ranám alebo k amputácii končatín.

POZOR Niektorý prach vytvorený silovým brúsením, pílením, brúsením, vŕtaním a inými stavebnými činnosťami obsahujú chemikálie, o ktorých je známe, že spôsobujú rakovinu, vrodené chyby alebo iné reprodukčné chyby. Niektoré príklady týchto chemikálií sú:

- olovo z náterov na báze olova
- kryštalický kremeň z tehál a cementu a iných murovacích výrobkov a
- arzén a chróm z chemicky ošetrovaného reziva.

Vaše riziko z týchto expozícií sa líši v závislosti od toho, ako často robíte tento typ práce. Na zníženie Vašej expozície týmto chemikáliám: pracujte v dobre vetranom priestore a pracujte so schváleným bezpečnostným vybavením, ako sú masky na ochranu proti prachu, ktoré sú špeciálne určené na filtrovanie mikroskopických častíc.

POZOR! Aby ste zabránili nebezpečenstvu požiaru spôsobeného skratom, poraneniam alebo poškodeniam výrobu, neponárajte náradie, výmennú batériu alebo nabíjačku do kvapalín a postarajte sa o to, aby do zariadení a akumulátorov nevnikli žiadne tekutiny. Korodujúce alebo vodivé kvapaliny, ako je slaná voda, určité chemikálie a bieliace prostriedky alebo výrobky, ktoré obsahujú bieliadlo, môžu spôsobiť skrat.

Výmenné akumulátory systému M18 nabíjajte len nabíjacími zariadeniami systému M18. Akumulátory iných systémov týmto zariadením nenabíjajte.

Výmenné akumulátory a nabíjacie zariadenia neotvárajte a skladovajte len v suchých priestoroch. Chrániť pred vlhkosťou.

POUŽITIE PODĽA PREDPISOV

Táto vysokovýkonná rezačka závitových tyčí je určená na profesionálne použitie.

POZOR: Pre zníženie rizika zranenia reže iba materiály pre rezné nástroje (pozri „Špecifikácie“). Nepokúšajte sa rezať iné materiály.

Toto náradie odreže závitovú tyč čisto a bez vzniku ostriny a umožní, aby boli matice dané na závit ručne bez dodatočnej úpravy. Kvalita obrobku, nečistota a povlak by mohli ovplyvniť schopnosť ručného nasadzovania matíc na závit.

POZNÁMKA: Používajte toto náradie na rezanie veľkosti a materiálov uvedených nižšie. Iné veľkosti alebo materiály poškodia náradie a obrobok.

NEPREVÁDZKUJTE ani NEPOUŽÍVAJTE vo vlhkých podmienkach ani v prítomnosti horľavých kvapalín alebo plynov.

NEPOUŽÍVAJTE na rezanie tvrdých skrutiek, závitov rôznych veľkostí alebo armovacích tyčí.

POZNÁMKA: Rezačka tyčí je navrhnutá tak, aby sa matica dala ručne nasadiť na závit na rezanej tyči. Kvalita vlákna, povrchová úprava (t.j. pozinkovaná alebo pokovovaná), nečistoty a povlak by mohli ovplyvniť schopnosť nasadiť maticu voľne na rezanú tyč.

POZOR: Ak sa nástroje musia otvoriť bez dokončenia cyklu, nikdy neuvolnite hlavnú rukoväť. Pomocou druhej ruky stlačte tlačidlo spätného chodu, kým sa nerozvieti kontrolka. Položte ruku späť na obrobok a držte ho bezpečne. Potom stlačte hlavný spúšťač, kým sa náradie automaticky nezastaví na otvorenie nástrojov.

POUŽITIE

Pri používaní prístroja vždy noste ochranné okuliare.

Rezné nástroje sú ostré. Ruky držte ďalej od rezných hrán a pohyblivých častí. Vyhybajte sa rezaniu krátkych kusov materiálu, ktoré vystavujú ruky blízko rezným nástrojom. Mohlo by dôjsť k tržným ranám alebo k amputácii končatín.

Pri používaní nad hlavou sa uistite, že OBIDVA konce tyče sú zabezpečené, aby sa zabránilo pádu kusov, keď je rez dokončený.

Rezanie

- Pred použitím sa uistite, že rezné nástroje sú zarovnané pre správnu veľkosť tyče.
 - Dbajte na to, aby boli šesťhranné skrutky pevne utiahnuté.
 - Režte čistý materiál, aby ste predĺžili životnosť čepele rezného nástroja.
 - Pred začatím rezu utrite špinu a úlomky z materiálu a rezných nástrojov.
 - Používajte rezacie nástroje iba na materiáli, pre ktorý boli určené. Iné materiály by mohli poškodiť rezný nástroj a náradie.
 - Vložte akumulátor.
 - Aby sa zabezpečila náležitá životnosť nástroja, závitová tyč musí byť pri rezaní úplne a správne spojená s nástrojmi. Pre presnú prácu vždy pred rezaním zaistite obrobok.
 - Nepokúšajte sa o šikmé rezy. To by spôsobilo poškodenie rezných nástrojov a obrobku. Pri spustení rezu držte materiál pevne a bezpečne proti fixnému reznému nástroju.
 - Ak chcete spustiť spätný chod, stlačte tlačidlo spätného chodu; rozsvieti sa kontrolka tlačidla. Stlačte a podržte spúšťač pre spätný chod.
- POZNÁMKA: Náradie prejde do spätného režimu len vtedy, ak čeluste NIE sú úplne otvorené.



Slovo

Tlačidlo spätného chodu

Ak sa musia rezné čeluste otvoriť bez ukončenia rezacieho cyklu:

1. Uvoľnite spúšťač.
2. Stlačte tlačidlo spätného chodu. ROZSVIETI SA kontrolka tlačidla.
3. Potiahnite spúšťač a držte náradie pevne, kým sa rezné čeluste úplne neotvorí. POZNÁMKA: Náradie prejde do spätného režimu len vtedy, ak čeluste NIE sú úplne otvorené.

Zaseknuté rezné nástroje

Špina a úlomky môžu spôsobiť, že rezné nástroje sa dohrmady zaseknú po vykonaní rezu. Ak sa náradie vypne a rezné čeluste sú stále zatvorené:

1. Stlačte tlačidlo spätného chodu a potiahnite spúšťač, kým sa rezné čeluste úplne neotvorí. Ak to nefunguje,
2. Vyberte akumulátor
3. Vyberte, vyčistite a znova nainštalujte rezné nástroje podľa pokynov v časti „Vybratie/Výmena rezných nástrojov“.



Slov

ÚDRZBA

Pred každou prácou na stroji výmenný akumulátor vytiahnuť.

Nikdy neotvárajte rezačku závitových tyčí, vymeniteľnú batériu ani nabíjačku. Skontrolujte rezačku závitových tyčí ohľadom akýchkoľvek problémov, ako je hluk alebo zaseknutie pohyblivých častí, ktoré by mohli mať vplyv na náradie.

Skontrolujte rezný nástroj ohľadom prasklín a iných známk opotrebenia.

Vyčistite prach a úlomky z otvorov. Rukoväť udržiavajte čistú, suchú a bez oleja alebo mastnoty. Na čistenie používajte iba jemné mydlo a navlhčenú tkaninu, pretože niektoré čistiace prostriedky a rozpúšťadlá škodia plastom a iným izolovaným časticiam. Niektoré z nich sú benzín, terpentín, riedidlo na lak, riedidlo na farby, chlórované čistiace rozpúšťadlá, amoniak a čistiace prostriedky pre domácnosť obsahujúce amoniak. Nikdy nepoužívajte horľavé alebo zápalné rozpúšťadlá okolo náradia.

Skontrolujte ostrosť rezných nástrojov a opotrebované rezné nástroje vymeňte.

Rezné nástroje vymeňte, keď sú odlomené alebo poškodené. Vždy vymeňte rezné nástroje ako jednu súpravu. Používajte výhradne čepele MILWAUKEE.

Aby nedošlo k poraneniu a poškodeniam, nikdy neponárajte nástroj, vymeniteľnú batériu ani nabíjačku do kvapaliny a zabráňte vniknutiu kvapaliny do nich.

Vetracie otvory udržiavať stále v čistote.

Ďalšie servisné a opravárenské práce môžu vykonávať iba autorizované odborné prevádzky.

Používať len Milwaukee príslušenstvo a Milwaukee náhradné diely. Súčasti bez návodu na výmenu treba dať vymeniť v jednom z Milwaukee zákaznických centier (viď brožúru Záruka/Adresy zákaznických centier).

Pri udaní typu stroja a čísla nachádzajúceho sa na štítku dá sa v prípade potreby vyžiadať explozívna schéma prístroja od vášho zákaznického centra alebo priamo v Techtronic Industries GmbH, Max-Eyth-Straße 10, 71364 Winnenden, Germany.

AKUMULÁTORY

Teplota vyššia ako 50°C znižuje výkon výmenného akumulátora. Zabráňte dlhšiemu ohriatiu slnkom alebo kúrením.

Pripájacie kontakty na nabíjacom zariadení a výmennom akumulátore udržiavať čisté.

Pre optimálnu životnosť je nutné akumulátory po použití plne dobiť. Dlhší čas nepoužívané výmenné akumulátory pred použitím dobiť.

K zabezpečeniu dlhej životnosti by sa akumulátory mali po nabití vybrať z nabíjačky.

Pri skladovaní akumulátora po dobu dlhšiu než 30 dní: Skladujte akumulátor v suchu pri cca 27°C. Skladujte akumulátor pri cca 30%-50% nabíjacej kapacite. Opakujte nabíjanie akumulátora každých 6 mesiacov.

Opotrebované výmenné akumulátory nezahadzujte do ohňa alebo medzi domový odpad. Milwaukee ponúka likvidáciu starých výmenných akumulátorov, ktorá je v súlade s ochranou životného prostredia; informujte sa u Vášho predajcu.

Výmenné akumulátory neskladovať spolu s kovovými predmetmi (nebezpečenstvo skratu).

Pri extrémnych záťažach alebo extrémnych teplotách môže dôjsť k vytekaniu batérovej tekutiny z poškodeného výmenného akumulátora. Ak dôjde ku kontaktu pokožky s roztokom, postihnuté miesto umyť vodou a mydlom. Ak sa roztok dostane do očí, okamžite ich dôkladne vypláchnuť po dobu min. 10 min a bezodkladne vyhľadať lekára.

Do zasúvacieho otvoru pre výmenné akumulátory na nabíjacom zariadení, sa nesmú dostať žiadne kovové predmety (nebezpečenstvo skratu).

PREPARA LÍTIOVO-IÓNOVÝCH BATÉRIÍ

Lítiovo-iónové batérie podľa zákonných ustanovení spadajú pod prepravu nebezpečného nákladu.

Preprava týchto batérií sa musí realizovať s dodržiavaním lokálnych, vnútroštátnych a medzinárodných predpisov a ustanovení.

Spotrebiteľia môžu tieto batérie bez problémov prepravovať po cestách.

Komerčná preprava lítiovo-iónových batérií prostredníctvom špedičných firiem podlieha ustanoveniam o preprave nebezpečného nákladu. Prípravu k vyexpedovaniu a samotnú prepravu smú vykonávať iba adekvátne vyškolené osoby. Na celý proces sa musí odborné dohliadať.

Pri preprave batérií treba dodržiavať nasledovné:

Zabezpečiť, aby boli kontakty chránené a izolované, aby sa zamedzilo skratom. Dávajte pozor na to, aby sa zväzok batérií v rámci balenia nemohol zošmyknúť. Poškodené a vytečené batérie sa nesmú prepravovať. Kvôli ďalším informáciám sa obráťte na vašu špedičnú firmu.

CE - VYHLÁSENIE KONFORMITY

Na našu výhradnú zodpovednosť vyhlasujeme, že produkt popísaný v časti „Technické údaje“ spĺňa všetky príslušné ustanovenia smerníc

2011/65/EU (RoHS)

2006/42/EC

2014/30/EU

a boli použité nasledovné harmonizované normy

EN 62841-1:2015

EN 55014-1:2017+A11:2020

EN 55014-2:2015

EN IEC 63000:2018



Winnenden, 2020-11-09

Alexander Krug / Managing Director

Spĺnomocnený zostaviť technické podklady.

Techtronic Industries GmbH

Max-Eyth-Straße 10, 71364 Winnenden, Germany

SYMBOLY



Pred prvým použitím prístroja si pozorne prečítajte návod na obsluhu.



Pri práci so strojom vždy noste ochranné okuliare.



Ťahová sila



POZOR! NEBEZPEČENSTVO!



Pred každou prácou na stroji výmenný akumulátor vytiahnuť.



Ruky držte zďaleka od strižného nástroja a iných pohyblivých častí. Prsty sa totiž môžu dostať do strižného mechanizmu, následkom čoho môže dôjsť k ich oddeleniu alebo poraneniu.



Príslušenstvo - nie je súčasťou štandardnej výbavy, odporúčané doplnenie z programu príslušenstva.



Elektrické zariadenia, batérie/akumulátory sa nesmú likvidovať spolu s odpadom z domácnosti. Elektrické zariadenia, batérie/akumulátory treba zbierať oddelene a odovzdať ich v recyklačnom podniku na ekologickú likvidáciu. Na miestnych úradoch alebo u vášho špecializovaného predajcu sa spýtajte na recyklačné podniky a zberné dvory.

V Napätie



Jednosmerný prúd



Značka zhody v Európe



Značka zhody v Británii



Značka zhody na Ukrajine



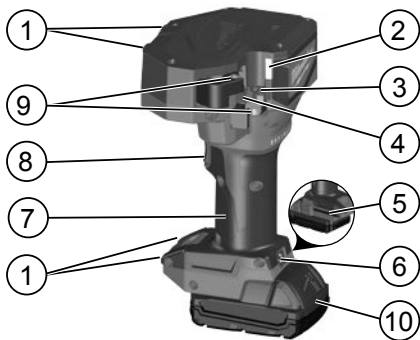
Značka zhody pre oblasť Eurázie



DANE TECHNICZNE Przecinarka do prętów gwintowanych	M18 BLTRC
Numer produkcyjny	4775 24 02... ... 000001-999999
Napięcie baterii akumulatorowej	18 V
Zakres cięcia Stal	M 6 x 1 M 8 x 1,25 M 10 x 1,5 M 12 x 1,75
Zakres cięcia Stal nierdzewna	M 6 x 1 M 8 x 1,25 M 10 x 1,5
Ciężar wg procedury EPTA 01/2014 (Li-Ion 2,0 Ah...12,0 Ah)	3,9 kg...5,0 kg
Zalecana temperatura otoczenia w trakcie eksploatacji	-18°C... +50°C
Zalecane zestawy akumulatorowe	M18B... M18HB...
Zalecane ładowarki	M12-18...
Informacja dotycząca szumów	
Zmierzone wartości wyznaczono zgodnie z normą EN 62841. Poziom szumów urządzenia oszacowany jako A wynosi typowo: Poziom ciśnienia akustycznego (Niepewność K=3dB(A))	75,27 dB (A)
Poziom mocy akustycznej (Niepewność K=3dB(A))	86,27 dB (A)
Należy używać ochroniaczy uszu!	
Informacje dotyczące wibracji	
Wartości łączne drgań (suma wektorowa trzech kierunków) wyznaczone zgodnie z normą EN 62841	
Wartość emisji drgań a_h	0,48 m/s ²
Niepewność K=	1,5 m/s ²



Pol



Opis urządzenia

- | | |
|-------------------------|---|
| ① Wsporniki | ⑦ Uchwyt
Izolowana powierzchnia
uchwyty |
| ② Dioda LED | ⑧ Spust |
| ③ Nóż stały | ⑨ Śruby z gniazdem
sześciokątnym |
| ④ Nóż ruchomy | ⑩ Akumulator |
| ⑤ Klucz imbusowy (5 mm) | |
| ⑥ Spust zwalnający | |

⚠ OSTRZEŻENIE Przeczytać wszystkie wskazówki bezpieczeństwa, instrukcje, ilustracje i dane dołączone do urządzenia. Jeśli nie będą przestrzegane następujące przepisy, może dojść do porażenia prądem, pożaru i/lub ciężkich obrażeń ciała.

Należy starannie przechowywać wszystkie przepisy i wskazówki bezpieczeństwa dla dalszego zastosowania.

⚠ INSTRUKCJE DOTYCZĄCE BEZPIECZEŃSTWA

Przed rozpoczęciem pracy z urządzeniem po raz pierwszy, a potem co najmniej raz w roku operator tego urządzenia musi zostać poinstruowany w zakresie określonych zagrożeń związanych z jego użytkowaniem oraz w zakresie najważniejszych środków bezpieczeństwa.

Eksploatator musi:

- udostępnić instrukcję użytkowania operatorowi i
- upewnić się, że operator przeczytał ją i zrozumiał.

Zachować etykiety i tabliczki znamionowe. Zawierają one ważne informacje. Jeśli są nieczytelne lub wybrakowane, należy je wymienić.

Podczas używania narzędzia należy zawsze zachować zdrowy rozsądek i środki ostrożności. Nie można przewidzieć każdej sytuacji, która może doprowadzić do niebezpieczeństwa. Nie używać narzędzia, jeśli użytkownik nie zrozumiał instrukcji obsługi lub jeśli bezpieczne wykonanie pracy wykracza poza możliwości użytkownika; skontaktuj się z firmą Milwaukee Tool lub przeszkolonym specjalistą w celu uzyskania dodatkowych informacji lub szkolenia.

Nie przecinać części znajdujących się pod napięciem. Urządzenie NIE jest izolowane.

Trzymać ręce i luźne elementy ubrania z dala od narzędzi tnących i innych ruchomych części. Występuje ryzyko poważnych obrażeń, w tym obcięcia kończyn. Używać wyposażenia ochronnego.

Podczas pracy należy zawsze nosić okulary ochronne. Zalecana jest odzież ochronna, jak maska pyłochronna, rękawice ochronne, mocne i chroniące przed poślizgiem obuwie, kask i ochronniki słuchu.

Aby zmniejszyć ryzyko obrażeń, należy zawsze nosić okulary ochronne lub okulary z osłonami bocznymi podczas eksploatacji lub naprawy urządzenia. Materiał może pęknąć lub roztrząscać się.

W celu uniknięcia obrażeń i uszkodzeń należy zapobiec przypadkowemu uruchomieniu urządzenia.

Nigdy nie trzymać narzędzia w obszarze szczęk ani noży tnących.

Przed użyciem zawsze sprawdzić noże i szczęki pod kątem pęknięć i innych oznak zużycia.

Używać przecinarki do prętów gwintowanych, baterii i ładowarki wyłącznie w nienagannym stanie technicznym.

Naprawę uszkodzeń należy natychmiast zlecić autoryzowanemu warsztatowi specjalistycznemu.

Przed przystąpieniem do jakichkolwiek prac na elektronarzędziu należy wyjąć wkładkę akumulatorową.

Nie używać narzędzia bez zamontowanych noży. Zarówno z zamontowanymi nożami jak i bez noża do zmiążdżenia palców.

Przed dokonaniem cięcia usunąć wszelkie narzędzia nastawcze i klucze.

W celu uniknięcia obrażeń lub szkód nigdy nie należy zanurzać narzędzia, wymiennej baterii ani ładowarki w cieczy ani nie dopuszczają, aby ciecz przeniknęła do ich wnętrza.

Nie należy ciąć krótkich elementów, ponieważ palce mogą wejść w kontakt z nożami tnącymi. Noże są ostre!

Przedmiot obrabiany nie może być wystawiony na działanie jakichkolwiek sił mechanicznych.

W celu zmniejszenia ryzyka wybuchu, porażenia prądem elektrycznym i szkód materialnych i sprzętowych, nigdy nie przecinać elementów znajdujących się pod napięciem.

Narzędzie NIE jest izolowane. Kontakt z obwodem elektrycznym znajdującym się pod napięciem może spowodować poważne obrażenia lub śmierć.

Ostrza noży są ostre. Ręce należy trzymać z dala od krawędzi tnących i ruchomych elementów. Unikać cięcia krótkich elementów, które mogłyby spowodować zbliżenie rąk do ostrzy. Występuje ryzyko ciężkich obrażeń lub obcięcia kończyn.

OSTRZEŻENIE Niektóre pyły powstające podczas polerowania, piłowania, szlifowania, wiercenia i innych prac budowlanych zawierają substancje chemiczne, które mogą powodować raka, wady płodu lub narządów rozrodczych. Oto kilka przykładów takich substancji chemicznych:

- ołów pochodzący z farb ołowiowych
- krzemionka krystaliczna pochodząca z cegieł, cementu i innych produktów murarskich oraz
- arsen i chrom pochodzące z drewna przetwarzanego chemicznie.

Ryzyko związane z tym narażeniem jest różne, w zależności od tego, jak często użytkownik wykonuje ten rodzaj pracy. Aby zmniejszyć narażenie na działanie tych substancji chemicznych: pracować w dobrze przewietrzonym pomieszczeniu i korzystać z zatwierdzonych urządzeń zabezpieczających, takich jak maski przeciwpyłowe, które zostały specjalnie zaprojektowane do filtrowania mikroskopijnych cząstek.

OSTRZEŻENIE! Aby uniknąć niebezpieczeństwa pożaru, obrażeń lub uszkodzeń produktu na skutek zwarcia, nie wolno zanurzać narzędzia, akumulatora wymiennego ani ładowarki w cieczach i należy zatroszczyć się o to, aby do urządzeń i akumulatorów nie dostały się żadne ciecze. Zwarcie spowodować mogą korodujące lub przewodzące ciecze, takie jak woda morską, określone chemikalia i wybielacze lub produkty zawierające wybielacze.

Akumulatory Systemu M18 należy ładować wyłącznie przy pomocy ładowarek Systemu M18. Nie ładować przy pomocy tych ładowarek akumulatorów innych systemów.

Nie otwierać wkładek akumulatorowych i ładowarek. Przechowywać w suchych pomieszczeniach. Chronić przed wilgocią.

WARUNKI UŻYTKOWANIA

Przecinarka do prętów gwintowanych jest przeznaczona do profesjonalnych zastosowań.

OSTRZEŻENIE: W celu zredukowania ryzyka obrażeń, ciąć wyłącznie materiały zalecane dla noży tnących (patrz „Specyfikacja”). Nie próbować ciąć innych materiałów.

Narzędzie to umożliwi czyste i wolne od zadziorów odcięcie gwintowanego pręta, co pozwala na ręczne gwintowanie nakrętek bez dodatkowej obróbki wykańczającej. Jakość obrabianego przedmiotu, zabrudzenia i podziałka gwintu mogą mieć wpływ na możliwość ręcznego nakręcenia nakrętki.

UWAGA: Narzędzie to należy stosować do cięcia materiałów i rozmiarów podanych poniżej. Inne rozmiary lub materiały mogą uszkodzić narzędzie i obrabiany przedmiot.

NIE używać narzędzi w warunkach wilgotnych lub w obecności palnych cieczy lub gazów.

NIE używać do cięcia hartowanych śrub, gwintów w innych rozmiarach niż zalecane ani prętów zbrojeniowych.

UWAGA: Przecinarka do prętów została zaprojektowana w taki sposób, aby umożliwić ręczne nakręcenie nakrętki gwintowanej na odcięty pręt. Jakość gwintu, wykończenie powierzchni (tj. ocynkowana lub platerowana), zabrudzenia i podziałka gwintu mogą mieć wpływ na możliwość swobodnego nakręcenia nakrętki na odcięty pręt.

OSTRZEŻENIE: Jeśli konieczne jest otwarcie noży bez zakończenia cyklu cięcia, nigdy nie należy zwalniać głównego uchwytu. Drugą ręką wcisnąć przycisk „Wstecz” aż zaświeci się lampka. Ponownie chwycić przedmiot obrabiany i przytrzymać. Następnie wcisnąć główny włącznik aż narzędzie zatrzyma się automatycznie i otworzy noże.



Pol

UŻYCIE

Zawsze nosić okulary ochronne podczas korzystania z urządzenia. Noże tnące są ostre. Ręce należy trzymać z dala od krawędzi tnących i ruchomych elementów. Unikać cięcia krótkich elementów, które mogłyby spowodować zbliżenie rąk do noży tnących. Występujące ryzyko ciężkich obrażeń lub obciążenia kończyn.

W przypadku używania narzędzia nad głową należy się upewnić, czy OBYDWA końce pręta są zabezpieczone, aby po zakończeniu cięcia elementy na spadły na głowę.

Cięcie

- Przed użyciem należy się upewnić, czy noże tnące są odpowiednio dobrane do rozmiaru pręta.
- Upewnić się, czy śruby z łbem sześciokątnym są mocno dokręcone.
- Ciąć wyłącznie czyste kable, co pozwoli wydłużyć żywotność ostrzy noży tnących.
- Wytrzeć zabrudzenia i przylegające pozostałości z kabli i noży tnących przed rozpoczęciem cięcia.
- Używać tylko noży tnących na materiałach, do których cięcia zostały przeznaczone. Cięcie innych materiałów może uszkodzić noże tnące i narzędzie.
- Włożyć wymienne baterie.
- Aby zapewnić długą żywotność noży tnących, gwintowany pręt musi być prawidłowo osadzony w szczękach podczas cięcia. Aby zapewnić dokładną obróbkę, przed cięciem należy zawsze zabezpieczyć obrabiany przedmiot.
- Nie wykonywać cięć pod kątem. Spowoduje to uszkodzenie noży tnących i przedmiotu obrabianego. Przytrzymać cięty materiał i przyłożyć go do stałego noża tnącego podczas cięcia.
- Aby wykonać ruch wsteczny, należy wcisnąć przycisk „Wstecz”; zaświeci się lampka. Wcisnąć i przytrzymać przycisk, aby wykonać ruch wsteczny.
UWAGA: Narzędzie wykonuje ruch wsteczny tylko wtedy, gdy szczęki NIE są w pełni otwarte.

Przycisk „Wstecz”

Jeśli szczęki tnące wymagają otwarcia przed dokończeniem cyklu cięcia:

1. zwolnić spust.
2. Wcisnąć przycisk „Wstecz”. Zaświeci się lampka.
3. Pociągnąć spust i mocno przytrzymać narzędzie, aż szczęki tnące całkowicie się otworzą. UWAGA: Narzędzie wykonuje ruch wsteczny tylko wtedy, gdy szczęki NIE są w pełni otwarte.

Zakleszczone noże tnące

Zabrudzenia i przylegające pozostałości mogą doprowadzić do tego, że po wykonaniu cięcia noże tnące zakleszczą się. Jeśli narzędzie się wyłaczy z zamkniętymi szczękami tnącymi:

1. wcisnąć przycisk „Wstecz” i pociągnąć spust aż szczęki tnące całkowicie się otworzą. Jeśli to nie pomoże,
2. usunąć wymienne baterie
3. Usunąć, wyczyścić i ponownie zamontować noże tnące zgodnie z instrukcją „Zdejmwanie/wymiana noży tnących”.

UTRZYMANIE I KONSERWACJA

Przed wystąpieniem do jakichkolwiek prac na elektronarzędziu należy wyjąć wkładkę akumulatorową.

Nigdy nie otwierać przecinarki do prętów gwintowanych, wymiennej baterii ani ładowarki. Sprawdzić przecinarkę do prętów gwintowanych pod kątem jakichkolwiek problemów takich jak hałas, zakleszczanie się ruchomych elementów, mogące wpływać na prawidłowe działanie narzędzia.

Sprawdzić narzędzia tnące pod kątem pęknięć i innych oznak zużycia.

Oczyszczyć szczeliny z pyłu i zanieczyszczeń. Utrzymywać uchwyt w stanie czystym, suchym i wolnym od olejów i smarów. Do czyszczenia używać tylko łagodnego mydła i wilgotnej szmatki, ponieważ niektóre detergenty i rozpuszczalniki mogą uszkodzić części z tworzywa sztucznego i inne części izolowane. Zaliczają się do nich m.in. benzyna, terpentyna, rozcieńczalniki do lakierów i farb, rozpuszczalniki chlorowane, amoniak oraz detergenty do zastosowania w gospodarstwie domowym zawierające amoniak. Nigdy nie używać łatwopalnych i palnych rozpuszczalników w pobliżu narzędzi.

Sprawdzić, czy ostrza tnące są ostre a zużyte wymienić.

Wymienić ostrza tnące, gdy są wyszczerbione lub uszkodzone. Zawsze wymieniać ostrza tnące parami. Używać wyłącznie ostrzy firmy MILWAUKEE.

W celu uniknięcia obrażeń lub szkód nigdy nie należy zanurzać narzędzia, wymiennej baterii ani ładowarki w cieczy ani nie dopuszczać, aby ciecz przeniknęła do ich wnętrza.

Otwory wentylacyjne elektronarzędzia muszą być zawsze drożne.

Pozostałe prace serwisowe i naprawcze mogą być wykonywane wyłącznie przez autoryzowane warsztaty specjalistyczne.

Używać tylko i wyłącznie wyposażenia dodatkowego Milwaukee i części zamiennych Milwaukee. Gdyby trzeba było wymienić części, które nie zostały opisane, należy skontaktować się z przedstawicielem serwisu Milwaukee (patrz wykaz adresów punktów usługowych/gwarancyjnych).

Na życzenie można otrzymać rysunek widoku zespołu rozebranego. Przy zamawianiu należy podać numer oraz typ elektronarzędzia umieszczony na tabliczce znamionowej. Zamówienia można dokonać albo u lokalnych przedstawicieli serwisu, albo bezpośrednio w Techtronic Industries GmbH, Max-Eyth-Strasse 10, 71364 Winnenden, Germany.

BATERIE AKUMULATOROWE

W temperaturze powyżej 50°C następuje spadek osiągów wkładki akumulatorowej. Unikać długotrwałego wystawienia na oddziaływanie ciepła lub promieni słonecznych (niebezpieczeństwo przegrzania).

Styki ładowarek i wkładek akumulatorowych należy utrzymywać w czystości

Dla zapewnienia optymalnej żywotności akumulatory po użyciu należy naładować do pełnej pojemności. Akumulatory, które nie były przez dłuższy czas użytkowane, należy przed użyciem naładować.

Dla zapewnienia możliwie długiej żywotności akumulatory należy wyjąć z ładowarki po ich naładowaniu.

W przypadku składowania akumulatorów dłużej aniżeli 30 dni, Przechowywać je w suchym miejscu w temperaturze ok. 27°C., Przechowywać je w stanie naładowanym do ok. 30% - 50%, Ładować je ponownie co 6 miesięcy.

Zużytych akumulatorów nie wolno wrzucać do ognia ani traktować jako odpadów domowych. Milwaukee oferuje ekologiczną utylizację zużytych akumulatorów.



Nie przechowywać akumulatorów wraz z przedmiotami metalowymi (niebezpieczeństwo zwarcia).

W skrajnych warunkach temperaturowych lub przy bardzo dużym obciążeniu może dochodzić do wycieku kwasu akumulatorowego z uszkodzonych baterii akumulatorowych. W przypadku kontaktu z kwasem akumulatorowym należy natychmiast przemyć miejsce kontaktu wodą z mydłem. W przypadku kontaktu z oczami należy dokładnie przepłukiwać oczy przynajmniej przez 10 minut i zwrócić się natychmiast o pomoc medyczną.

Do ładowarki nie wolno wkładać żadnych przedmiotów metalowych (niebezpieczeństwo zwarcia).

TRANSPORT AKUMULATORÓW LITOWO-JONOWYCH

Akumulatory litowo-jonowe podlegają ustawowym przepisom dotyczącym transportu towarów niebezpiecznych.

Transport tych akumulatorów winien odbywać się przy przestrzeganiu lokalnych, krajowych i międzynarodowych rozporządzeń i przepisów.

Odbiorcom nie wolno transportować tych akumulatorów po drogach ot tak po prostu.

Komercyjny transport akumulatorów litowo-jonowych przez przedsiębiorstwa spedycyjne podlega przepisom dotyczącym transportu towarów niebezpiecznych. Przygotowania do wysyłki oraz transport mogą być wykonywane wyłącznie przez odpowiednio przeszkolone osoby. Cały proces winien odbywać się pod fachowym nadzorem.

W czasie transportu akumulatorów należy przestrzegać następujących punktów:

Celem uniknięcia zwarcia należy upewnić się, że zestyki są zabezpieczone i zaizolowane. Zwracać uwagę na to, aby zespół akumulatorów nie mógł się przemieszczać we wnętrzu opakowania. Nie wolno transportować akumulatorów uszkodzonych lub z wyciekającym z elektrolitem. Odnośnie dalszych wskazówek należy zwrócić się do swojego przedsiębiorstwa spedycyjnego.

DEKLARACJA ZGODNOŚCI CE

Oświadczamy na naszą wyłączną odpowiedzialność, że produkt opisany pod „Dane techniczne” spełnia wszystkie istotne przepisy dyrektyw

2011/65/EU (RoHS)

2006/42/EC

2014/30/EU

i zastosowano następujące zharmonizowane normy

EN 62841-1:2015

EN 55014-1:2017+A11:2020

EN 55014-2:2015

EN IEC 63000:2018



Winnenden, 2020-11-09

Alexander Krug / Managing Director
Upelnomocniony do zestawienia danych technicznych
Techtronic Industries GmbH
Max-Eyth-Straße 10, 71364 Winnenden, Germany

SYMBOLE



Przed uruchomieniem elektronarzędzia zapoznać się uważnie z treścią instrukcji.



Podczas pracy należy zawsze nosić okulary ochronne.



Siła rozciągająca



UWAGA! OSTRZEŻENIE NIEBEZPIECZEŃSTWO!



Przed przystąpieniem do jakichkolwiek prac na elektronarzędziu należy wyjąć wkładkę akumulatorową.



Trzymać ręce z dala od narzędzia tnącego i innych ruchomych części. Palce mogą dostać się do mechanizmu tnącego i zostać odcięte lub skaleczone.



Wyposażenie dodatkowe dostępne osobno.



Urządzenia elektryczne, baterie/akumulatory nie mogą być usuwane razem z odpadami pochodzącymi z gospodarstw domowych. Urządzenia elektryczne i akumulatory należy gromadzić oddzielnie i w celu usuwania ich do odpadów zgodnie z wymaganiami środowiska naturalnego oddawać do przedsiębiorstwa utylizacyjnego. Proszę zasięgnąć informacji o centrach recyklingowych i punktach zbiorczych u władz lokalnych lub u wyspecjalizowanego dostawcy.



Napięcie



Prąd stały



Europejski Certyfikat Zgodności



Brytyjski Certyfikat Zgodności



Ukraiński Certyfikat Zgodności



Euroazjatycki Certyfikat Zgodności



Pol

MŰSZAKI ADATOK	M18 BLTRC
Menetesszár-vágó	
Gyártási szám	4775 24 02... ... 000001-999999
Akkumulátor feszültség	18 V
Vágási terület Acél	M 6 x 1 M 8 x 1,25 M 10 x 1,5 M 12 x 1,75
Vágási terület Nemesfém	M 6 x 1 M 8 x 1,25 M 10 x 1,5
Súly a 01/2014 EPTA-eljárás szerint (Li-Ion 2,0 Ah...12,0 Ah)	3,9 kg...5,0 kg
Üzemeléshez ajánlott környezeti hőmérséklet	-18°C...+50°C
Ajánlott akkusomagok	M18B... M18HB...
Ajánlott töltőkészülékek	M12-18...
Zajinformáció	
A közölt értékek megfelelnek az EN 62841 szabványnak. A készülék munkahelyi zajszintje tipikusnak:	
Hangnyomás szint (K bizonytalanság=3dB(A))	75,27 dB (A)
Hangteljesítmény szint (K bizonytalanság=3dB(A))	86,27 dB (A)
Hallásvédő eszköz használata ajánlott!	
Vibráció-információk	
Összesített rezgésértékek (három irány vektoriális összeg az EN 62841-nek megfelelően meghatározva.	
rezgésemisszió érték a _h	0,48 m/s ²
K bizonytalanság	1,5 m/s ²



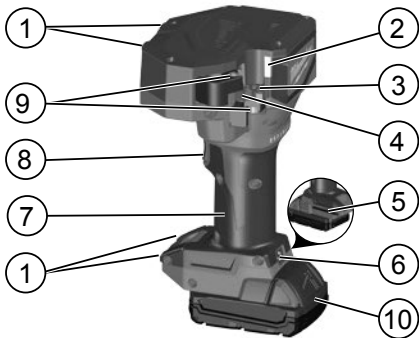
FIGYELMEZTETÉS!

A jelen utasításokban megadott rezgésszint értéke az EN 62841-ben szabályozott mérési eljárásnak megfelelően került leírásra, és használható elektromos szerszámokkal történő összehasonlításhoz. Az érték alkalmas a rezgésterhelés előzetes megbecsülésére is.

A megadott rezgésszint-érték az elektromos szerszám legfőbb alkalmazásait reprezentálja. Ha az elektromos szerszámot azonban más alkalmazásokhoz, eltérő használt szerszámokkal vagy nem elegendő karbantartással használják, a rezgésszint értéke eltérő lehet. Ez jelentősen megnövelheti a rezgésterhelést a munkavégzés teljes időtartama alatt.

A rezgésterhelés pontos megbecsüléséhez azokat az időket is figyelembe kell venni, melyekben a készülék lekapcsolódik, vagy ugyan működik, azonban ténylegesen nincs használatban. Ez jelentősen csökkentheti a rezgésterhelést a munkavégzés teljes időtartama alatt.

Határozzon meg további biztonsági intézkedéseket a kezelő védelmére a rezgések hatása ellen, például: az elektromos és a használt szerszámok karbantartásával, a kezek melegen tartásával, a munkafolyamatok megszervezésével.



Eszközeírás

- | | |
|-------------------------|---|
| ① Munkapad megtámasztók | ⑦ Fogantyú
Szigetelt fogófelület |
| ② LED | ⑧ Indítógomb |
| ③ Rögzített vágópofa | ⑨ Hatlapú, belső kulcsnyílású
(imbusz-) csavarok |
| ④ Mozdítható vágópofa | ⑩ Akkumulátor |
| ⑤ Imbuszkulcs (5 mm) | |
| ⑥ Indítógomb kioldása | |

⚠ FIGYELMEZTETÉS Olvasson el minden, a géppel együtt megkapott biztonsági utalást, utasítást, ábrázolást és adatot. Ha nem tartja be a következő előírásokat, akkor ez áramütéshez, tüzhez és/vagy súlyos személyi sérülésekhez vezethet.

Kérjük a későbbi használatra gondosan őrizz meg ezeket az előírásokat.

⚠ KÜLÖNLEGES BIZTONSÁGI TUDNIVALÓK

Ennek az eszköznek a kezelőjét – a vágóval történő első munkavégzést megelőzően, majd ezt követően legalább évente – ki kell oktatni az eszközzel való munkavégzéssel járó speciális veszélyekről és az alapvető biztonsági intézkedésekről.

Az üzemeltetést végző vállalat köteles:

- az üzemeltetési kézikönyvet a kezelő rendelkezésére bocsátani, és
- gondoskodni arról, hogy a kezelő elolvassa a kézikönyvet, és megértse annak tartalmát.

Ne távolítsa el a címkeket és adattáblákat. Ezek fontos információkat tartalmaznak. Amennyiben olvashatatlanok lennének vagy hiányoznának, ki kell cserélni ezeket.

Mindig megfontoltan járjon el, és legyen körültekintő a szerszámok használatá során. Nem lehetséges előre látni minden olyan szituációt, amely veszélyes helyzetet eredményezhet. Ne használja ezt a szerszámot, ha nem értené ezt a használati útmutatót, illetve ha úgy érezné, hogy a munka meghaladja az Ön képességeit; forduljon a Milwaukee Tool munkatársaihoz vagy képzett szakemberhez további információkért vagy képzésért.

Ne végezzen munkát a feszültség alatt álló alkatrészekben. Az eszköz NEM szigetelt.

Tartsa távol a vágószerszámoktól és a többi mozgó résztől kezeit és a lazán feltekert ruházatát. Súlyos sérülés, így végtagok leszakításának veszélye áll fenn.

Használjon védőfelszerelést. Munkavégzés közben ajánlatos védőszemüveget viselni. Javasoljuk a védőruházat, úgymint porvédő maszk, védőcipő, erős és csúszásbiztos lábbeli, sisak és hallásvédő használatát.

A sérülési kockázat csökkentése érdekében viseljen munkavédelmi szemüveget vagy oldalsó védőlemezzel rendelkező szemüveget a szerszám működtetése vagy szervizelése során. Az anyag eltérhet vagy szilánkok képződhetnek.

Sérülés és anyagi kár elkerülése érdekében akadályozza meg az eszköz véletlen beindítását.

Soha ne tartsa a szerszámot vágópofák és formák közelében.

Használat előtt mindig ellenőrizze, hogy nincsenek-e repedések és egyéb elhasználódási nyomok a formákon és vágópofákon.

A menetesszár-vágót, az akkumulátort és a töltőt csak akkor használja, ha azok tökéletes műszaki állapotban vannak.

A sérüléseket azonnal javíttassa meg arra jogosult szakműhelyben.

Karbantartás, javítás, tisztítás, stb. előtt az akkumulátort ki kell venni a készülékből.

Ne használja a szerszámot felszerelt vágópofák nélkül. Ujjai összezúzódhatnak a nem felszerelt vágópofák esetén.

A vágás elvégzése előtt távolítsa el minden beállítószerszámot és csavarkulcsot.

A sérülés és károsodás elkerülése érdekében a szerszámot, a cserélhető akkumulátort és a töltőt soha ne merítse folyadékba, és ne engedje folyadék behatolását ezekbe.

Ne vágjon olyan rövid munkadarabokat, amelyeknél ujjai közel kerülhetnének a vágópofákhoz. A pofák élesek!

Ne tegye ki a munkadarabot mechanikai erőnek.

A robbanások, áramütés, valamint vagyoni és berendezéskárak kockázatának csökkentése érdekében soha ne vágjon áram alatt álló tárgyakat.

A szerszám NEM szigetelt. Az áram alatt levő kábellel való érintkezés súlyos sérülést vagy halált okozhat.

A pofák élei élesek. Tartsa távol a kezét a vágóélektől és a mozgó alkatrészekről. Kerülje az olyan rövid anyagok vágását, amelyeknél kezei a vágóélek közelébe kerülnének. Végtagok leszakadása vagy levágása következhet be.

FIGYELMEZTETÉS A homokszórás, fűrszelés, csiszolás, fűrés és más építkezési tevékenységek során rákot, születési rendellenességeket okozó vagy más, reprodukciót károsító hatású vegyi anyagok szabadulhatnak fel. Ilyen anyagok lehetnek például a következők:

- ólmabázisú festékből származó ólom
- téglákból, cementből és más kőművesipari termékekből származó kristályos szilícium-dioxid
- vegykezelt faanyagokból származó arzén és króm.

Az ilyen kitettségek kockázata attól függ, hogy Ön milyen gyakorisággal végez ilyen típusú munkát. Az ilyen vegyi anyagoknak való kitettség csökkentése érdekében: jól szellőző területen és jóváhagyott biztonsági felszerelésekkel dolgozzon, mint például az olyan pormaszkok, amelyeket kifejezetten mikroszkopikus részecskék kiszűrésére fejlesztettek ki.

FIGYELMEZTETÉS! A rövidzárlat általi tűz, sérülések vagy termékkárosodások veszélye elkerülésére ne merítse a szerszámot, a cserélhető akkut vagy a töltőkészüleket folyadékokba, és gondoskodjon arról, hogy ne hatoljanak folyadékok a készülékekbe és az akkuba. A korrozív hatású vagy vezetőképes folyadékok, mint pl. a sós víz, bizonyos vegyi anyagok, fehérítők vagy fehérítő tartalmú termékek, rövidzárlatot okozhatnak.

Az M18 elnevezésű rendszerhez tartozó akkumulátorokat kizárólag a rendszerhez tartozó töltővel töltsen fel. Ne használjon más rendszerbe tartozó töltőt.

Az akkumulátort, töltőt nem szabad megbontani és kizárólag száraz helyen szabad tárolni. Nedvességtől óvni kell.

RENDELTELTÉSSZERŰ HASZNÁLAT

Ezt a nagy teljesítményű menetesszár-vágót professzionális felhasználásra tervezték.

FIGYELMEZTETÉS: A sérülésveszély csökkentése érdekében csak a vágópofákhoz ajánlott anyagokat vágjon (lásd „Műszaki adatok”). Ne kísérelje meg más anyagok vágását.

Ez a szerszám tisztán és forgácsmentesen vágja le a menetes szárat, lehetővé téve az anyák további utómunkálatok nélküli, kézi felcsavarását. A munkadarab minősége, a szennyeződések és méretek befolyásolhatják az anyák kézi felcsavarásának képességét.

MEGJEGYZÉS: A szerszámot a lent felsorolt méretek és anyagok vágására használja. Más méretek vagy anyagok kárt tehetnek a szerszámban és a munkadarabban.

NE működtesse vagy használja nedves környezetben, illetve gyúlékony folyadékok és gázok jelenlétében.

NE használja edzett csavarok, eltérő méretű menetek vagy merevítőrudak vágására.

MEGJEGYZÉS: A menetesszár-vágót úgy tervezték, hogy az anyát kézzel lehet a levágott menetes szárra csavarni. A menetminőség, felületkezelés (pl. galvanizált vagy lemeztelt), szennyeződések és méretek befolyásolhatják az anyák menetes szárra, kézzel történő felcsavarásának képességét.

FIGYELMEZTETÉS: Ha szükségesé válna a vágópofák kinyitása a vágási ciklus befejezése előtt, akkor soha ne engedje el markolatot. Másik kezével nyomja meg a fordítógombot a jelzőlámpa kigyulladásáig. Fogja meg ismét a munkadarabot, és tartsa erősen. Ezután nyomja meg a be-/kikapcsológombot amíg a szerszám automatikusan leáll a vágópofák kinyitásához.

ALKALMAZÁS

Az eszköz használata során mindig viseljen védőszemüveget.

A vágópofák élesek. Tartsa távol a kezét a vágóélektől és a mozgó alkatrészekről. Kerülje az olyan rövid anyagok vágását, amelyeknél kezei a vágópofák közelébe kerülnének. Végtagok leszakadása vagy levágása következhet be.

Fejlett történő használat során gondoskodjon a szár MINDKÉT végének rögzítéséről annak biztosítása érdekében, hogy a vágást követően ne essenek le a szárdarabok.



Vágás

- Használat előtt ellenőrizze, hogy a vágópofák a megfelelő szárméretre vannak beállítva.
- Ellenőrizze, hogy a hatlapfejú csavarok jól meg vannak húzva.
- A vágópofa pengéjének élettartamának növelése érdekében tiszta anyagot vágjon.
- A vágás megkezdése előtt törölje le a szennyeződést és a törmelékét az anyagról és a vágópofákról.
- Csak a meghatározott anyagok vágására használja a vágópofákat. Más anyagok kárt tehetnek a vágópofákban és a szerszámban.
- Helyezze be az akkumulátort.
- A vágópofák megfelelő élettartamának biztosítása érdekében a menetes szárat a vágás során teljes mértékben a pofák közé kell tartani. A pontos munka érdekében mindig rögzítse a munkadarabot a vágás előtt.
- Ne kísérleljen meg ferde vágásokat végrehajtani. Ezzel kárt tehet a vágópofákban és a munkadarabban. Tartsa az anyagot erősen és biztosan a rögzített vágópofa ellen a vágás megkezdésekor.
- Fordított működtetés esetén nyomja meg a fordítógombot; a gomb lámpája kigyullad. A fordított működtetéshez nyomja meg és tartsa lenyomva a be-/kikapcsológombot. MEGJEGYZÉS: A szerszám csak akkor áll fordított üzemmódban, ha a vágópofák NINCSENEK teljesen nyitva.

Fordítógomb

Ha a vágópofák kinyitása szükségessé válna a vágási ciklus befejezése nélkül:

1. Engedje fel a be-/kikapcsológombot.
2. Nyomja meg a fordítógombot. A gomb lámpája kigyullad.
3. Tartsa lenyomva a be-/kikapcsológombot a vágópofák teljes kinyitásáig. MEGJEGYZÉS: A szerszám csak akkor áll fordított üzemmódban, ha a vágópofák NINCSENEK teljesen nyitva.

Beszorult vágópofák

A szennyeződések és törmelékek a vágópofák összeszorulását okozhatják egy vágást követően. Ha a szerszám leáll, a vágópofák végig zárva maradnának:

1. Nyomja meg a fordítógombot, aztán a be-/kikapcsológombot a vágópofák teljes kinyitásáig. Ha ez nem segítene,
2. Vegye ki az akkumulátort
3. Vegye ki, tisztítsa meg és szerelje vissza a vágópofákat a „Vágópofák eltávolítása/cseréje” szerint.

KARBANTARTÁS

Karbantartás, javítás, tisztítás, stb. előtt az akkumulátort ki kell venni a készülékből.

Soha ne nyissa fel a menetesszár-vágót, a cserélhető akkumulátort vagy a töltőt. Vizsgálja meg a menetesszár-vágót bármilyen olyan probléma – zaj, mozgó alkatrészek beszorulása – tekintetében, amely hatással lehet a szerszámra.

Ellenőrizze, hogy nincsenek-e repedések és egyéb elhasználódási nyomok a vágószerszámokon.

Tisztítsa meg a nyílásokat a portól és törmelékektől. A markolatot tartsa tisztán, szárazon, olajtól és zsírtól mentesen. A tisztításra kizárólag enyhén mosószert tartalmazó vizet és puha rongyot használjon, mivel bizonyos tisztító- és oldószerek kárt tehetnek a műanyag és más szigetelt részekben. Ilyen anyagnak számít többek között a benzín, a terpentin, a lakkhígító, a festékhígító, a klórtartalmú tisztítóoldatok, az ammónia és az ammóniatartalmú háztartási tisztítószerek. Szerszámok közelében soha ne használjon gyúlékony vagy éghető oldószereket.

Ellenőrizze, hogy a vágószerszámok élesek-e, és cserélje ki az elhasználódott vágószerszámokat.

Cserélje ki a vágószerszámokat, ha töredezettek vagy sérültek. A vágószerszámokat mindig garnitúrában cserélje. Csak MILWAUKEE pengéket használjon.

A sérülés és károsodás elkerülése érdekében a szerszámot, a cserélhető akkumulátort és a töltőt soha ne merítse folyadékba, és ne engedje folyadék behatolását ezekbe.

A készülék szellőzőnyílásait mindig tisztán kell tartani.

További szerviz- és javítási munkát csak hivatalos szakszervezet végezhetnek.

Csak Milwaukee tartozékokat és Milwaukee pótkatrészeket szabad használni. Az olyan elemeket, melyek cseréje nincs ismertetve, cseréltesse ki Milwaukee szervizzel (lásd Garancia/Ügyfélszolgálat címei kiadványt).

Szükség esetén a készülékek robbantott ábráját – a készülék típusa és azonosító száma alapján a területileg illetékes Milwaukee márkaszerviztől vagy közvetlenül a gyártótól (Techtronic Industries GmbH, Max-Eyth-Straße 10, 71364 Winnenden, Germany) lehet kérni.

AKKUK

50°C feletti hőmérsékletnél csökkenhet az akkumulátor teljesítménye. Kerülni kell a túlzottan meleg helyen vagy napon történő hosszabb idejű tárolást.

A töltő és az akkumulátor csatlakozóit mindig tisztán kell tartani.

Az optimális élettartam érdekében használat után az akkukat teljesen fel kell tölteni. A hosszabb ideig üzemben kívül lévő akkumulátort használat előtt ismételtelen fel kell tölteni.

A lehetőleg hosszú élettartamhoz az akkukat feltöltés után ki kell venni a töltőkészülékből.

Az akku 30 napot meghaladó tárolása esetén; Az akkut kb. 27°C-on, száraz helyen kell tárolni., Az akkut kb. 30-50%-os töltöttségi állapotban kell tárolni., Az akkut 6 havonta újra fel kell tölteni.

A használt akkumulátort ne dobja tűzbe vagy a háztartási szemétkosárba. Tájékoztadjon a szakszerű megsemmisítés helyi lehetőségeiről.

Az akkumulátort ne tárolja együtt fém tárgyakkal. (Rövidzárlat veszélye).

Akkumulátor sav folyhat a sérült akkumulátorból extrém terhelés alatt, vagy extrém hő miatt. Ha az akkumulátor sav a bőrére kerül azonnal mossa meg szappanos vízzel. Szembe kerülés esetén folyóvíz alatt tartsa a szemét minimum 10 percig és azonnal forduljon orvoshoz.

Ügyeljen arra, hogy a töltő aknájába ne kerüljön semmilyen fém tárgy, mert ez rövidzárlatot okozhat.



Mag

LÍTIUM-ION AKKUK SZÁLLÍTÁSA

A lítium-ion akkuk a veszélyes áruk szállítására vonatkozó törvényi rendelkezések hatálya alá tartoznak.

Az ilyen akkuk szállításának a helyi, országos és nemzetközi előírások és rendelkezések betartása mellett kell történnie.

A fogyasztók minden további nélkül szállíthatják az ilyen akkukat közúton.

A lítium-ion akkuk szállítványozási vállalatok általi kereskedelmi célú szállítására a veszélyes áruk szállítására vonatkozó rendelkezések érvényesek. A kiszállítás előkészítését és a szállítást kizárólag megfelelő képzettségű személyek végezhetik. A teljes folyamatnak szakmai felügyelet alatt kell történnie.

A következő pontokat kell figyelembe venni akkuk szállításakor:

Biztosítsa, hogy a rövidzárlatok elkerülése érdekében az érintkezők védve és szigetelve legyenek. Ügyeljen arra, hogy az akkucsomag ne tudjon elcsúszni a csomagoláson belül. Tilos sérült vagy kifolyt akkukat szállítani. További útmutatásokért forduljon szállítványozási vállalatához.

CE-AZONOSSÁGI NYILATKOZAT

Kizárólagos felelősségünk alapján kijelentjük, hogy a „Műszaki adatok” fejezetben leírt termék megfelel a irányelvek összes vonatkozó rendelkezésének

2011/65/EU (RoHS)

2006/42/EC

2014/30/EU

harmonizált szabvány és a

EN 62841-1:2015

EN 55014-1:2017+A11:2020

EN 55014-2:2015

EN IEC 63000:2018



Winnenden, 2020-11-09

Alexander Krug / Managing Director

Műszaki dokumentáció összeállításra felhatalmazva

Techtronic Industries GmbH

Max-Eyth-Straße 10, 71364 Winnenden, Germany

SZIMBÓLUMOK



Kérjük alaposan olvassa el a tájékoztatót mielőtt a gépet használja.



Munkavégzés közben ajánlatos védőszemüveget viselni.



Húzóerő



FIGYELEM! FIGYELMEZTETÉS! VESZÉLY!



Karbantartás, javítás, tisztítás, stb. előtt az akkumulátort ki kell venni a készülékből.



Tartsa távol a vágószerszámoktól és a többi mozgó résztől kezeit. Ujjai bejuthatnak a vágórendszerbe és levágásuk vagy sérülésük veszélye áll fenn.



Azokat a tartozékokat, amelyek gyárilag nincsenek a készülékhez mellékelve, külön lehet megrendelni.



Az elektromos eszközöket, elemeket/akkukat nem szabad a háztartási hulladékkal együtt ártalmatlanítani. Az elektromos eszközöket és akkukat szelektíven kell gyűjteni, és azokat környezetbarát ártalmatlanítás céljából hulladékhasznosító üzemben kell leadni. A helyi hatóságoknál vagy szakkereskedőjénél tájékozódjon a hulladékudvarokról és gyűjtőhelyekről.

V

Feszültség



Egyenáram



Európai megfelelőségi jelölés



Egyesült királyságbeli megfelelőségi jelölés



Ukrán megfelelőségi jelölés

001



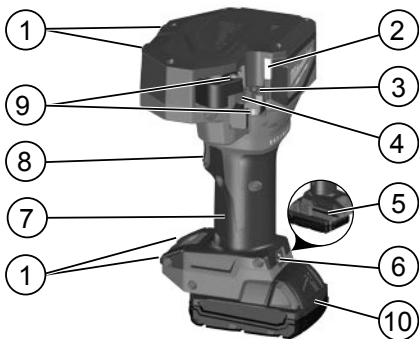
Eurázsiai megfelelőségi jelölés



TEHNIČNI PODATKI	M18 BLTRC
Rezilo za navojno palico	
Proizvodna številka	4775 24 02... ... 000001-999999
Napetost izmenljivega akumulatorja	18 V
Območje rezanja Jeklo	M 6 x 1 M 8 x 1,25 M 10 x 1,5 M 12 x 1,75
Območje rezanja Legirano jeklo	M 6 x 1 M 8 x 1,25 M 10 x 1,5
Teža po EPTA-proceduri 01/2014 (Li-Ion 2,0 Ah...12,0 Ah)	3,9 kg...5,0 kg
Priporočena temperatura okolice za obratovanje	-18°C ... +50°C
Priporočeni kompleti akumulatorjev	M18B... M18HB...
Priporočeni polnilniki	M12-18...
Informacije o hrupnosti	
Vrednosti merjenja ugotovljene ustrezno z EN 62841. Raven hrupnosti naprave ovrednotena z A, znaša tipično:	
Nivo zvočnega tlaka (Nevarnost K=3dB(A))	75,27 dB (A)
Višina zvočnega tlaka (Nevarnost K=3dB(A))	86,27 dB (A)
Nosite zaščito za sluh!	
Informacije o vibracijah	
Skupna vibracijska vrednost (Vektorska vsota treh smerdoločena ustrezno EN 62841.	
Vibracijska vrednost emisij a_h	0,48 m/s ²
Nevarnost K=	1,5 m/s ²



Slo



Opis naprave

- | | |
|----------------------------|---|
| ① Držala za mizo | ⑦ Ročaj orodja
Izolirana prijemalna površina |
| ② Lučka LED | ⑧ Sprožilo |
| ③ Fiksirano rezilo navojev | ⑨ Imbus vijaki |
| ④ Premično rezilo navojev | ⑩ Baterije |
| ⑤ Imbus ključ (5 mm) | |
| ⑥ Povratno stikalo | |

⚠ OPOZORILO Preberite vse varnostne napotke, navodila, prikaze in podatke, ki ste jih prejeli skupaj z napravo. Zaradi nespoštovanja spodaj navedenih navodil lahko pride do električnega udara, požara in/ali težkih telesnih poškodb.

Vsa opozorila in napotila shranite, ker jih boste v prihodnje še potrebovali.

⚠ SPECIALNI VARNOSTNI NAPOTKI

Upravljevec te naprave se mora pred prvim opraviлом in potem najmanj enkrat letno seznaniti s posebnimi nevarnostmi pri uporabi te naprave in s potrebnimi varnostnimi ukrepi.

Lastnik mora:

- upravljavcu dati na voljo navodila za uporabo in
- se pripraviti, da jih je upravljevec prebral in razumel.

Ohranite nalepke in tipske tablice. Te vsebujejo pomembne informacije. Če jih ni mogoče prebrati ali manjkajo, jih je treba zamenjati.

Pri uporabi orodja vedno uporabljajte zdrav razum in bodite previdni. Vseh situacij, ki bi lahko privedle do nevarnega rezultata, ni mogoče predvideti. Tega orodja ne uporabljajte, če ne razumete teh navodil za uporabo ali če menite, da je delo zunaj vaših zmognosti. Za dodatne informacije ali usposabljanje se obrnite na Milwaukee Tool ali usposobljenega strokovnjaka.

Ne delajte na delih, ki so pod električno napetostjo. Naprava NI izolirana.

Z rokami in ohlapnimi oblačili se ne približujte rezalnemu orodju in drugim premikajočim se delom. Obstaja nevarnost hudih telesnih poškodb ali trganja udov. Uporabite zaščitno opremo.

Pri delu s strojem vedno nosite zaščitna očala. Priporočajo se zaščitna oblačila, kot npr. maska za zaščito proti prahu, zaščitne rokavice, trdno in neдрсеče obuvalo, celada in zaščita za sluh.

Za zmanjšanje telesnih poškodb med uporabo ali vzdrževanjem orodja vedno nosite zaščitna očala ali očala s stransko zaščito. Material lahko počí ali se zlomi.

Za preprečevanje telesnih poškodb ali škode preprečite nenamerni zagon naprave.

Orodja nikoli ne držite v območju čeljusti in rezilnih orodij.

Pred vsako uporabo preverite rezila glede razpok in drugih vidnih sledi obrabe.

Rezilo za navojno palico, akumulatorsko baterijo in polnilnik uporabljajte samo v tehnično brezhibnem stanju.

Poškodbe dajte takoj popraviti v avtoriziranemu strokovnemu obratu.

Pred vsemi deli na stroji odstranite izmenljivi akumulator.

Ne uporabljajte orodja brez nameščenih rezil. Naprava lahko zdrobi prste z rezili ali brez njih.

Preden začnete rezati, odstranite uporabljena nastavitvena orodja ali ključje.

Za preprečevanje telesnih poškodb ali škode orodja, nadomestnega akumulatorja ali polnilnika nikoli ne potaplajte v tekočino ali dovolite, da tekočina vstopi vanje.

Ne obrezujte kratkih obdelovancev, kjer bi lahko prsti bili v bližini rezilnih orodij. Rezila so ostra!

Obdelovanec ne sme biti izpostavljen mehanskim silam.

Za zmanjšanje tveganja eksplozij, električnega udara, materialne škode in poškodb na napravi nikoli ne uporabljajte predmetov, ki so pod električno napetostjo.

Orodje NI izolirano. Stik s tokokrogom, ki je pod električno napetostjo, lahko povzroči hude telesne poškodbe in smrt.

Rezila na matricah so ostra. Rok ne približujte rezilnim orodjem in drugim premičnim delom. Ne režite kratkih obdelovancev, pri katerih so roke v bližini rezil. Obstaja nevarnost hudih telesnih poškodb ali odtrganja udov.

OPOZORILO! Nekatere vrste prahu, ki nastane zaradi električnega brušenja, žaganja, brušenja, vrtanja in drugih gradbenih dejavnosti, vsebujejo kemikalije, za katere je znano, da povzročajo raka, prirojene okvare ali drugače škodujejo sposobnosti reprodukcije. Nekateri primeri teh kemikalij so:

-svinec iz barve na osnovi svinca

- kristalni silicijev dioksid iz opeke in cementa ter drugih zidanih izdelkov ter

- arzena in kroma iz kemično obdelanega lesa.

Tveganje pri tej izpostavljenosti je različno in odvisno od tega, kako pogosto opravljate to vrsto dela. Za zmanjšanje izpostavljenosti tem kemikalijam: delajte v dobro prezračenem prostoru in delajte z odobreno varnostno opremo, kot so maske za zaščito pred prahom, ki so posebej izdelane za filtriranje mikroskopskih delcev.

OPOZORILO! V izogib, s kratkim stikom povzročene nevarnosti požara, poškodb ali okvar na proizvodu, orodja, izmenljivega akumulatorja ali polnilne naprave ne potaplajte v tekočine in poskrbite, da ne bo prihajalo do vdora tekočin v naprave in akumulatorje. Korozivne ali prevodne tekočine, kot so slana voda, določene kemikalije in belila ali proizvodi, ki le ta vsebujejo, lahko povzročijo kratek stik.

Izmenljive akumulatorje sistema M18 polnite samo s polnilnimi aparati sistema M18. Ne polnite nobenih akumulatorjev iz drugih sistemov.

Izmenljivih akumulatorjev in polnilnih aparatov ne odpirajte in jih hranite samo v suhih prostorih. Zaščitite jih pred mokroto.

UPORABA V SKLADU Z NAMEMBOSTJO

To rezilo za navojno palico je namenjeno za profesionalno uporabo.

OPOZORILO: Da bi zmanjšali tveganje poškodb, režite samo materiale za rezilna orodja (glejte „Tehnični podatki“). Ne poskušajte rezati drugih materialov.

To orodje bo odrezalo navojno palico natančno in brez ostrih robov, kar omogoči, da navojne matice vstavite ročno brez dodatne obdelave. Kakovost obdelovanca, umazanija in obloge lahko negativno vplivajo na zmožnost ročnega privijanja matic.

NAPOTEK: Uporabite to orodje za rezanje spodaj navedenih velikosti in materialov. Druge velikosti ali materiali lahko poškodujejo orodje in obdelovanec.

NE delajte in ne uporabljajte v mokrih pogojih ali blizu vnetljivih tekočin ali plinov.

NE uporabljajte za rezanje kaljenih vijakov, navojev različnih velikosti ali ojačevalne palice.

NAPOTEK: Rezilo za palice je zasnovano tako, da je mogoče matico ročno priviti na rezilno palico. Kakovost navojev, obloga površine (tj. galvanizirana ali prevlečena), umazanija in obloge lahko vplivajo na zmožnost prostega privijanja matic na rezilno palico.

OPOZORILO: Če je treba rezila razpreti pred dokončanim ciklom, nikoli ne sprostite glavnega ročaja. Z drugo roko pritisnite gumb za rezervo, dokler ne zasveti kontrolna lučka. Položite roko nazaj na obdelovanec in ga trdno držite. Nato pritisnite glavno sprožilno tako, da se orodje zaustavi samodejno in razpre rezila.

UPORABA

Pri uporabi te naprave stroja vedno nosite zaščitna očala.

Rezilna orodja so ostra. Rok ne približujte rezilnim orodjem in drugim premičnim delom. Ne režite kratkih obdelovancev, pri katerih so roke v bližini rezilnih orodij. Obstaja nevarnost hudih telesnih poškodb ali odtrganja udov.

Med uporabo nad glavo se prepričajte, da sta OBA konca palice zaščitena, da preprečite padanje delov, ko je rez končan.

Rezanje kablov

- Pred uporabo zagotovite, da so rezilna orodja poravnana za ustrezno velikost palice.
 - Prepričajte se, da so imbus vijaki trdno priviti.
 - Da podaljšate življenjsko dobo rezil rezilnega orodja, režite samo čist material.
 - Pred rezanjem z materiala in rezilnih orodij odstranite umazanijo in obloge.
 - Uporabljajte samo rezilna orodja na materialu, za katerega so bila izdelana. Drugi materiali lahko poškodujejo rezilna orodja in orodje.
 - Vstavite akumulatorsko baterijo.
 - Da bi zagotovili ustrezno življenjsko dobo, mora biti navojna palica med rezanjem v celoti pravilno povezana z orodji. Za natančno delo vedno zavarujte obdelovanec pred rezanjem.
 - Ne poskušajte rezati poševno. To bo poškodovalo rezilna orodja in obdelovanec. Ko začnete rezati, trdno in varno držite material proti fiksni rezilnemu orodju.
 - Za vrnitev v obratni način delovanja, pritisnite gumb za obratni način delovanja; lučka gumba se vklopi. Pritisnite in pridržite sprožilno za obratni način delovanja.
- NAPOTEK:** Orodje se preklopi v obratni način delovanja samo, če čeljusti NISO povsem odprte.



Gumb za obratni način delovanja

Če je treba rezilne čeljusti odpreti, ne da bi zaključili cikel rezanja:

1. spustite sprožilo.
2. Pritisnite gumb za obratni način delovanja. Lučka gumba se bo vklopila.
3. Povlecite sprožilo in trdno držite orodje, dokler se rezilne čeljusti popolnoma ne razprejo. **NAPOTEK:** Orodje se preklopi v obratni način delovanja samo, če čeljusti NISO povsem odprte.

Zataknjena rezilna orodja

Umazanija in obloge lahko privedejo do tega, da se rezilna orodja po rezu zataknejo. Če se orodje izklopi in so rezilne čeljusti še zaprte:

1. Pritisnite gumb za obratni način delovanja ter povlecite sprožilo in trdno držite orodje, dokler se rezilne čeljusti popolnoma ne razprejo. Če to ne deluje,
2. odstranite akumulatorsko baterijo.
3. Odstranite, očistite in ponovno namestite rezilna orodja v skladu z „Odstranjevanje/zamenjava rezilnih orodij“.



VZDRŽEVANJE

Pred vsemi deli na stroji odstranite izmenljivi akumulator.

Nikoli ne odpirajte rezila za navojno palico, snemljive akumulatorske baterije ali polnilnika. Preverite rezilo za navojno palico glede morebitnih težav, kot je zvok ali zataknevanje premičnih delov, ki bi lahko ovirali orodje.

Preverite rezilna orodja glede razpok in drugih vidnih sledi obrabe.

Z odprtini očistite prah in umazanijo. Ročaj naj bo vedno čist, suh in brez olja ali masti. Za čiščenje uporabljajte samo blago milnico in vlažno krpo, saj so nekatera čistilna sredstva in topila škodljiva za plastiko in druge izolirane dele. Nekateri od teh vsebujejo bencin, terpentin, razredčilo za lak, razredčilo za barve, klorirana čistila, amoniak in gospodinjstva čistilna sredstva, ki vsebujejo amoniak. V bližini orodja nikoli ne uporabljajte gorljivih ali vnetljivih topil.

Prepričajte se, da so rezilna orodja ostra in zamenjajte obrabljena rezilna orodja.

Rezilna orodja zamenjajte, ko postanejo lomljiva ali so vidno poškodovana. Rezilna orodja vedno zamenjajte v kompletu. Uporabljajte samo rezila MILWAUKEE.

Za preprečevanje telesnih poškodb ali škode orodja, nadomestnega akumulatorja ali polnilnika nikoli ne potaplajte v tekočino ali dovolite, da tekočina vstopi vanje.

Pazite na to, da so prezračevalne reže stroja vedno čiste.

Nadaljnje storitve in popravila smejo izvajati samo pooblaščenec specializirane delavnice.

Uporabljajte samo Milwaukee pribor in Milwaukee nadomestne dele. Poskrbite, da sestavne dele, katerih zamenjava ni opisana, zamenjajo v Milwaukee servisni službi (upoštevajte brošuro Garancija aslovi servisnih služb).

Po potrebi se lahko pri vaši servisni službi ali direktno pri Techtronic Industries GmbH naroči eksplozijska risba naprave ob navedbi tipa stroja in številke s tipske ploščice Techtronic Industries GmbH, Max-Eyth-Straße 10, 71364 Winnenden, Germany.

AKUMULATORJI

Temperatura nad 50°C zmanjšuje zmogljivost izmenljivega akumulatorja. Izogibajte se daljšemu segrevanju zaradi sončnih žarkov ali gretja.

Pazite, da ostanejo priključni kontakti na polnilnem aparatu in izmenljivem akumulatorju čisti.

za optimalno življenjsko dobo je potrebno akumulatorje po uporabi do konca napolniti. Izmenljive akumulatorje, ki jih daljši čas niste uporabljali, pred uporabo naknadno napolnite.

Za čim daljšo življenjsko dobo naj se akumulatorji po napolnitvi vzamejo ven iz naprave za polnjenje.

Pri skladiščenju akumulatorjev dalj kot 30 dni; Akumulator skladiščiti pri 27°C in na suhem., Akumulator skladiščiti pri 30%-50% stanja polnjenja., Akumulator spet napolniti vsakih 6 mesecev.

Izrabljenih izmenljivih akumulatorjev ne mečite v ogenj ali v gospodinjstva odpadke. Milwaukee nudi okolju prijazno odlaganje starih izmenljivih akumulatorjev; prosimo povprašajte vašega strokovnega trgovca.

Izmenljivih akumulatorjev ne hranite skupaj s kovinskimi predmeti (nevarnost kratkega stika).

Pod ekstremno obremenitvijo ali ob ekstremni temperaturi iz poškodovanega izmenljivega akumulatorja lahko izteka akumulatorska tekočina. Po stiku z akumulatorsko tekočino prizadeto mesto takoj izperite z vodo in milom. Po stiku z očmi takoj najmanj 10 minut dolgo temeljito izpirajte in nemudoma obiščite zdravnika.

V odprtino za nameščanje izmenljivih akumulatorjev na polnilnih aparatih ne smejo zaiti nikakršni kovinski deli (nevarnost kratkega stika).

TRANSPORT LITIJ-IONSКИH AKUMULATORJEV

Litij-ionski akumulatorji so podvrženi zakonskim določbam transporta nevarnih snovi.

Transport teh akumulatorjev se mora izvajati upoštevajoč lokalne, nacionalne in mednarodne predpise in določbe.

Potrošniki lahko te akumulatorje še nadalje transportirajo po cesti.

Komercialni transport litij-ionskih akumulatorjev s strani špediterskih podjetij je podvržen določbam transporta nevarnih snovi. Priprava odpreme in transporta se lahko vrši izključno s strani ustrezno izšolanih oseb. Celoten proces je potrebno strokovno spremljati.

Pri transportu akumulatorjev je potrebno upoštevati sledeče točke:

V izogib kratkim stikom zagotovite, da bodo kontakti zaščiteni in izolirani. Bodite pozorni na to, da paket akumulatorja v notranjosti embalaže ne bo mogel zdrsniti. Poškodovanih ali iztekajočih akumulatorjev ni dovoljeno transportirati. Za nadaljnja navodila se obrnite na vaše špeditersko podjetje.

CE-IZJAVA O KONFORMNOSTI

S polno odgovornostjo izjavljamo, da izdelek, opisan pod „Tehnični podatki“ izpolnjuje vse ustrezne določbe direktiv

2011/65/EU (RoHS)

2006/42/EC

2014/30/EU

ter da so bili uporabljeni naslednji harmonizirani standardi

EN 62841-1:2015

EN 55014-1:2017+A11:2020

EN 55014-2:2015

EN IEC 63000:2018



Winnenden, 2020-11-09

Alexander Krug / Managing Director

Pooblaščen za izdelavo spisov tehnične dokumentacije.

Techtronic Industries GmbH

Max-Eyth-Straße 10, 71364 Winnenden, Germany

SIMBOLI



Prosimo, da pred uporabo pozorno preberete to navodilo za uporabo.



Pri delu s strojem vedno nosite zaščitna očala.



Vlečna sila



POZOR! OPOZORILO! NEVARNO!



Pred vsemi deli na stroji odstranite izmenljivi akumulator.



Z rokami ne segajte v bližino rezalnega orodja ali drugih premikajočih se delov. Prsti lahko zaidejo v rezalni mehanizem, ki jih lahko odreže ali poškoduje.



Oprema – ni vsebovana v obsegu dobave, priporočeno dopolnilo iz programa opreme.



Električnih naprav, baterij/akumulatorjev ni dovoljeno odstranjevati skupaj z gospodinjstvi odpadki. Električne naprave in akumulatorje je potrebno zbirati ločeno in za okolju prijazno odstranitev, oddati podjetju za reciklažo. Pri krajevnem uradu ali vašem strokovnem prodajalcu se pozanimajte glede reciklažnih dvorišč in zbirnih mest.

V Napetost



Enosmerni tok



Evropska oznaka za združljivost



Britanska oznaka za združljivost



Ukrajinska oznaka za združljivost

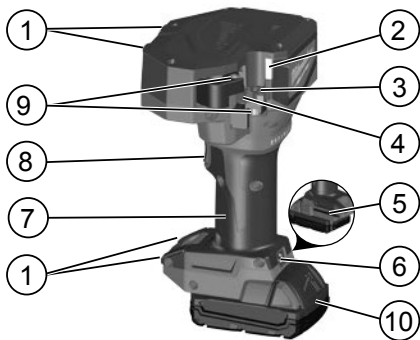
001



Evrazijska oznaka za združljivost



TEHNIČKI PODACI	M18 BLTRC
Rezač navojnih šipki	
Broj proizvodnje	4775 24 02... ... 000001-999999
Napon baterije za zamjenu	18 V
Područje rezanja Čelik	M 6 x 1 M 8 x 1,25 M 10 x 1,5 M 12 x 1,75
Područje rezanja Plemeniti čelik	M 6 x 1 M 8 x 1,25 M 10 x 1,5
Težina po EPTA-proceduri 01/2014 (Li-Ion 2,0 Ah...12,0 Ah)	3,9 kg...5,0 kg
Preporučena temperatura okoline za pogon	-18°C... +50°C
Preporučeni akumulatorski paket	M18B... M18HB...
Preporučeni punjači	M12-18...
Informacije o buci	
Mjerne vrijednosti utvrđene odgovarajuće EN 62841. A-ocijenjeni nivo buke aparata iznosi tipično:	
Nivo pritiska zvuka (Nesigurnost K=3dB(A))	75,27 dB (A)
Nivo učinka zvuka (Nesigurnost K=3dB(A))	86,27 dB (A)
Nositi zaštitu sluha!	
Informacije o vibracijama	
Ukupne vrijednosti vibracije (Vektor suma tri smjersu odmerjene odgovarajuće EN 62841	
Vrijednost emisije vibracije a_h	0,48 m/s ²
Nesigurnost K=	1,5 m/s ²



Opis proizvoda

- | | |
|-----------------------------|--|
| ① Stolni potpornji | ⑦ Držak uređaja
Izolirana površina za držanje |
| ② LED | ⑧ Okidač |
| ③ Fiksni kalup | ⑨ Šesterokutni vijci |
| ④ Pomični kalup | ⑩ Akumulator |
| ⑤ Šesterokutni ključ (5 mm) | |
| ⑥ Okidač za resetiranje | |

⚠ UPOZORENIE Pročitajte sve sigurnosne upute, napomene, prikaze i podatke koje dobijete uz uređaj. Ako se ne bi pridržavali slijedećih uputa, moglo bi doći do električnog udara, požara i/ili teških ozljeda.

Sačuvajte sve napomene o sigurnosti i upute za buduću primjenu.

⚠ SPECIJALNE SIGURNOSNE UPUTE

Rukovatelj ovim uređajem mora prije prvog rukovanja te nakon toga, najmanje jednom godišnje, biti poučen o naročitim opasnostima tijekom rukovanja uređajem te o potrebnim sigurnosnim mjerama.

Tvrtka mora:

- rukovatelju osigurati pristup uputama za rukovanje i
- osigurati da ih rukovatelj pročitava i razumije.

Sačuvajte oznake i pločice s nazivom tipa. Na njima se nalaze važne informacije. Ako nisu čitljive ili nedostaju, moraju se zamijeniti.

Uvijek postupajte savjesno i oprezno tijekom upotrebe alata. Nije moguće predvidjeti svaku situaciju koja bi mogla imati opasan ishod. Nemojte se koristiti ovim alatom ako ne razumijete ove upute za rad ili ako ste mišljenja da niste sposobni za to; stupite u kontakt s društvom Milwaukee Tool ili educiranim stručnjakom za dodatne informacije ili edukaciju.

Nemojte raditi na dijelovima koji su pod strujnim naponom. Uređaj NIJE izoliran.

Ruke i odjeću neprijepnu uz tijelo držati dalje od alatki za rezanje i drugih pokretnih dijelova. Postoji opasnost od teških ozljeda uključujući otkidanje ekstremiteta.

Koristite zaštitnu opremu. Kod radova na stroju uvijek nositi zaštitne naočale. Preporučuje se zaštitna odjeća, kao zaštitna maska protiv prašine, zaštitne rukavice, čvrste i protiv klizanja sigurne cipele, šlem i zaštitu sluha.

Kako biste smanjili rizik od ozljeda, nosite zaštitne rukavice ili naočale s bočnom zaštitom tijekom rada s alatom ili njegova servisiranja. Materijal može puknuti ili se razmrskati.

Kako bi se izbjegle ozljede i oštećenja, osigurajte da se uređaj ne pokrene automatski.

Nikada nemojte držati alat u području stezaljki i kalupa za rezanje.

Provjerite prije svake upotrebe imaju li kalupi i stezaljke napukline ili znakove pohabanosti.

Koristite se rezačem navojnih šipki, zamjenskom baterijom i punjačem samo ako su oni u savršenu tehničkom stanju.

Oštećenja odmah dati na popravak autoriziranoj stručnoj radionici. Prije svih radova na stroju izvaditi bateriju za zamjenu.

Nemojte se koristiti alatom bez montiranih kalupa. Prsti se mogu zgnojčiti s postavljenim kalupima ili bez njih.

Prije sječenja uklonite sve korištene alatke i ključeve.

Kako biste izbjegli ozljede, nikada ne uranjajte alatku, zamjensku bateriju ili punjač u tekućinu odnosno na dozvolite da tekućina dospije u njih.

Nemojte rezati male dužine obratka ako prsti mogu dospjeti u blizinu kalupa za rezanje. Kalupi su oštri!

Obradak se ne smije izlagati nikakvim mehaničkim silama.

Kako biste smanjili rizik od eksplozije, strujnog udara ili oštećenja imovine i opreme, nikada nemojte provoditi radove na predmetima pod naponom.

Alat NIJE izoliran. Kontakt sa strujnim vodom pod naponom može prouzročiti ozbiljne ozljede ili smrt.

Oštrice na kalupima su oštre. Držite ruke dalje od alata za rezanje i pokretnih dijelova. Izbjegavajte rezanje kratkih komada materijala tijekom kojeg ruke mogu dospjeti u blizinu oštrice. Postoji opasnost od teških ozljeda ili amputacije ekstremiteta.

UPOZORENJE Određena prašina nastala snažnim pjeskarenjem, piljenjem, brušenjem i drugim radnjama sadrži kemikalije koje su poznati uzročnici za rak, nestanak urođenih mana ili druge reproduktivne poteškoće. Određeni primjeri tih kemikalija su sljedeći:

- olovo iz boje na bazi olova
- kristalni silicijev dioksid iz opeka i cementa te drugih zidarskih proizvoda, te
- arsen i krom iz kemijski obrađena drva.

Opasnosti za vas tijekom izloženosti tim kemikalijama variraju ovisno o tome koliko često obavljate ovu vrstu rada. Kako biste smanjili stupanj izloženosti ovim kemikalijama: radite u dobro prozračenu području i radite s odobrenom zaštitnom opremom kao što su maske za prašinu koje su posebno dizajnirane za filtriranje mikroskopskih čestica.

UPOZORENJE! Zbog izbjegavanja opasnosti od požara jednim kratkim spojem, opasnosti od ozljeda ili oštećenja proizvoda, alat, izmjenjivi akumulator ili napravu za punjenje ne uronjavati u tekućine i pobrinite se za to, da u uređaje ili akumulator ne prodiru nikakve tekućine. Korozirajuće ili vodljive tekućine kao slana voda, određene kemikalije i sredstva za bijeljenje ili prozvodni koji sadrže sredstva bijeljenja, mogu prouzročiti kratak spoj.

Baterije sistema M18 puniti samo sa uređajem za punjenje sistema M18. Ne puniti baterije iz drugih sistema.

Baterije za zamjenu i uređaje za punjenje ne otvarati i čuvati ih samo u suhim prostorijama. Čuvati protiv vlage.

PROPIISNA UPOTREBA

Ovaj rezač navojnih šipki za teške uvjete rada razvijen je za profesionalnu primjenu.

UPOZORENJE: Kako biste umanjili opasnost od ozljede, režite samo materijale za kalupe za rezanje (pogledajte „Specifikacije“). Ne pokušavajte rezati druge materijale.

Ovaj će alat čisto i bez srha rezati navojne šipke, omogućujući ručno zavrtnanje matica bez dodatnih radova za završavanje. Kvaliteta obratka, prljavština i strugotine mogu utjecati na mogućnost ručnog zavrtnanja matica.

NAPOMENA: Upotrebljavajte ovaj alat za rezanje dimenzija i materijala navedenih u nastavku. Druge dimenzije ili materijali oštetit će alat i obradak.

NEMOJTE rukovati alatom niti ga upotrebljavati u vlažnim uvjetima ili u prisutnosti zapaljivih tekućina i plinova.

NEMOJTE upotrebljavati alat za rezanje kaljenih vijaka, navoja različitih veličina ili šipki za ojačanje.

NAPOMENA: Rezač šipki razvijen je tako da se matica ručno zavrće na rezanu šipku. Kvaliteta navoja, završna obrada površine (tj. galvanizacija ili oplata), prljavština i strugotine mogu utjecati na mogućnost neometana zavrtnanja maticе na rezanu šipku.

UPOZORENJE: Ako se kalupi trebaju otvoriti bez završavanja ciklusa, nikada nemojte otpuštati glavni držak uređaja. Upotrijebite drugu ruku kako biste pritisnuli gumb za stanku do uključivanja žaruljice pokazivača. Ponovno postavite ruku na obradak i čvrsto ga pridržavajte. Zatim pritisnite glavnu sklopku za uključivanje do automatskog zaustavljanja alata u svrhu otvaranja kalupa.

PRIMJENA

Uvijek nosite naočale i zaštitu za sluh dok koristite uređaj.

Kalupi za rezanje su oštri. Držite ruke dalje od alata za rezanje i pokretnih dijelova. Izbjegavajte rezanje kratkih komada materijala tijekom kojeg ruke mogu dospjeti u blizinu kalupa za rezanje. Postoji opasnost od teških ozljeda ili amputacije ekstremiteta.

Tijekom upotrebe iznad glave osigurajte OBA dijela šipke kako biste spriječili pad dijelova nakon završetka rezanja.

Sječenje

- Prije upotrebe osigurajte da kalupi za rezanje budu poravnati za odgovarajuću veličinu šipke.
 - Osigurajte da šesterokutni vijci budu sigurno zategnuti.
 - Režite čisti materijal kako biste produžili vijek trajanja oštrice kalupa za rezanje.
 - Obrisite prljavštinu i nakupine s materijala i kalupa za rezanje prije no što počnete s rezanjem.
 - Upotrebljavajte kalupe za rezanje samo na materijalu za koji su predviđeni. Drugi materijali mogu oštetiti kalupe za rezanje i alat.
 - Umetnite zamjensku bateriju.
 - Kako biste osigurali propisan vijek trajanja kalupa, kalupi moraju u potpunosti nalijegati na navojnu šipku tijekom rezanja. Za precizan rad uvijek osigurajte obradak prije rezanja.
 - Nemojte pokušavati provoditi rezove pod kutom. Time će se oštetiti kalupi za rezanje i obradak. Čvrsto i sigurno pridržavajte materijal o fiksni kalup za rezanje tijekom početka rezanja.
 - Za obrnuti rad pritisnite gumb za obrnuti rad, nakon čega će se uključiti svjetlo na gumbu. Pritisnite i držite sklopku za uključivanje pritisnutom za obrnuti rad.
- NAPOMENA:** Alat će ući u način obrnuta rada samo ako stezaljke NISU potpuno otvorene.



Gumb za obrnuti rad

Ako se stezaljke za rezanje trebaju otvoriti bez dovršetka ciklusa rezanja:

1. Otpustite sklopku za uključivanje.
2. Pritisnite gumb za obrnuti rad. Svjetlo na gumbu će se UKLJUČITI.
3. Povucite sklopku za uključivanje i čvrsto pridržavajte alat do potpunog otvaranja stezaljki za rezanje. **NAPOMENA:** Alat će ući u način obrnuta rada samo ako stezaljke NISU potpuno otvorene.

Zaglavljeni kalupi za rezanje

Prijavaština i nakupine mogu uzrokovati da se kalupi za rezanje zaglave nakon rezanja. Ako se alat isključi i ako su stezaljke za rezanje i dalje zatvorene:

1. Pritisnite gumb za obrnuti rad i povlačite sklopku za uključivanje do potpunog otvaranja stezaljki za rezanje. Ako ovo ne uspije,
2. Uklonite zamjensku bateriju
3. Uklonite, očistite i ponovno postavite kalupe za rezanje u skladu s uputama u „Uklanjanje/zamjena kalupa za rezanje“.



ODRŽAVANJE

Prije svih radova na stroju izvaditi bateriju za zamjenu.

Nikada nemojte otvarati rezač navojnih šipki, zamjensku bateriju ni punjač. Provjerite rezač navojnih šipki na sve probleme kao što su buka ili zaglavljivanje pokretnih dijelova, a koji bi mogli utjecati na alat.

Provjerite imaju li alate za sječenje napuklina ili znakova pohabanosti.

Očistite prašinu i nakupine iz otvora. Držite držak uređaja čistim, suhim i izvan doticaja s uljem ili mašću. Upotrebite blagi sapun i vlažnu krpu za čišćenje jer su određena sredstva za čišćenje i otapala štetna za plastiku i druge izolirane dijelove. Neki od njih su benzin, terpentini, razrjeđivač za lakove, razrjeđivač za boju, otapala za čišćenje koja sadrže klor, amonijak i deterdženti za kućanstvo koji sadrže amonijak. Nikada u blizini alata nemojte upotrebljavati zapaljiva otapala ili otapala koja se mogu samostalno zapaliti.

Provjerite jesu li rezni alati oštri te zamijenite istrošene rezne alate.

Zamijenite rezne alate kada su okrhnuti ili oštećeni. Uvijek zamijenite cijeli set reznih alata. Upotrebite samo MILWAUKEE oštrice.

Kako biste izbjegli ozljede, nikada ne uranjajte alatku, zamjensku bateriju ili punjač u tekućinu odnosno na dozvolite da tekućina dospje u njih.

Proreze za prozračivanje stroja uvijek držati čistima.

Dodatne servisne radove i popravke smiju provoditi samo ovlaštene specijalizirane radionice.

Primijeniti samo Milwaukee opremu i Milwaukee rezervne dijelove. Sastavne dijelove, čija zamjena nije opisana, dati zamijeniti kod jedne od Milwaukee servisnih službi (poštivati brošuru Garancija/ Adrese servisa).

Po potrebi se može zatražiti crtež eksplozije aparata uz davanje podataka o tipu stroja i desetoznamenkastog broja na pločici snage kod Vaše servisne službe ili direktno kod Techtronic Industries GmbH, Max-Eyth-Straße 10, 71364 Winnenden, Germany.

BATERIJE

Temperatura od preko 50°C smanjuje učinak baterija. Duže zagrijavanje od strane sunca ili grijanja izbjeci.

Priključne kontakte na uređaju za punjenje i baterijama držati čistima.

Za optimalni vijek trajanja se akumulatori poslije upotrebe moraju sasvim napuniti. Baterije koje duže vremena nisu korištene, prije upotrebe napuniti.

Za što moguće duži vijek trajanja, akumulatori se nakon punjenja moraju odstraniti iz punjača.

Kod skladištenja akumulatora duže od 30 dana: Akumulator skladištiti na suhom kod ca. 27°C, Akumulator skladištiti kod ca. 30%-50% stanja punjenja., Akumulator ponovno napuniti svakih 6 mjeseci.

Istrošene baterije za zamjenu ne baciti u vatru ili u kućno smeće. Milwaukee nudi mogućnost uklanjanja starih baterija odgovarajuće okolini. Milwaukee nudi mogućnost uklanjanja starih baterija odgovarajuće okolini; upitajte molimo Vašeg stručnog trgovca.

Baterije za zamjenu ne čuvati skupa sa metalnim predmetima (opasnost od kratkog spoja).

Pod ekstremnim opterećenjem ili ekstremne temperature može iz oštećenih baterija iscuriti baterijska tekućina. Kod dodira sa baterijskom tekućinom odmah isprati sa vodom i sapunom. Kod kontakta sa očima odmah najmanje 10 minuta temeljno ispirati i odmah potražiti liječnika.

U prostor za punjenje baterija u uređaju za punjenje ne smiju dospjeti metalni dijelovi (opasnost od kratkog spoja).

TRANSPORT LITIJSKIH IONSKIH BATERIJA

Litijske-ionske baterije spadaju pod zakonske odredbe u svezi transporta opasne robe.

Prijevoz ovih baterija mora uslijediti uz poštivanje lokalnih, nacionalnih i internacionalnih propisa i odredaba.

Korisnici mogu bez ustručavanja ove baterije transportirati po cestama.

Komercijalni transport litijsko-ionskih baterija od strane transportnih poduzeća spada pod odredbe o transportu opasne robe. Otpremničke pripreme i transport smiju izvoditi isključivo odgovarajuće školovane osobe. Kompletni proces se mora pratiti na stručan način.

Kod transporta baterija se moraju poštivati sljedeće točke:

Uvjerite se da su kontakti zaštićeni i izolirani kako bi se izbjegli kratki spojevi. Pazite na to, da blok baterija unutar pakiranja ne može proklizavati. Oštećene ili iscurjele baterije se ne smiju transportirati. U svezi ostalih uputa obratite se vašem prijevoznom poduzeću.

#CE-IZJAVA KONFORMNOSTI

Izjavljujemo pod vlastitom odgovornošću da proizvod opisan u odjeljku „Tehnički podaci“ ispunjava sve potrebne odredbe smjernica 2011/65/EU (RoHS) 2006/42/EC 2014/30/EU i da su korišteni sljedeći usklađeni standardi
EN 62841-1:2015
EN 55014-1:2017+A11:2020
EN 55014-2:2015
EN IEC 63000:2018



Winnenden, 2020-11-09

Alexander Krug / Managing Director
Ovlašten za formiranje tehničke dokumentacije.
Techtronic Industries GmbH
Max-Eyth-Straße 10, 71364 Winnenden, Germany

SIMBOLI



Molimo da pažljivo pročitate uputu o upotrebi prije puštanja u rad.



Kod radova na stroju uvijek nositi zaštitne naočale.



Vučna sila



PAŽNJA! UPOZORENIE! OPASNOST!



Prije svih radova na stroju izvaditi bateriju za zamjenu.



Ruke i odjeću nepripienu uz tijelo držati dalje od alatki za rezanje i drugih pokretnih dijelova. Prsti mogu dospjeti u mehanizam za rezanje te ih tako odsjeći ili povrijediti.



Oprema - u opsegu isporuke nije sadržana, preporučena dopuna iz promgrama opreme.



Elektrouredajji, baterije/akumulatori se ne smiju zbrinjavati skupa sa kućnim smećem. Električni uređajji akumulatori se moraju skupljati odvojeno i predati na zbrinjavanje primjereno okolišu jednom od pogona za iskorišćavanje. Raspitajte se kod mjesnih vlasti ili kod stručnog trgovca u svezi gospodarstva za recikliranje i mjesta skupljanja.

V Napon



Istosmjerna struja



Europski znak suglasnosti



Britanski znak suglasnosti



Ukrajinski znak suglasnosti

001



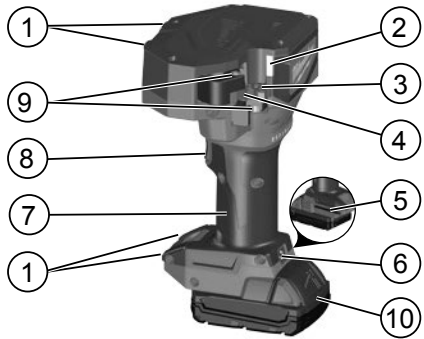
Euroazijski znak suglasnosti



TEHNISKIE DATI	M18 BLTRC
Vītņstieņa griezējs	
Izlaides numurs	4775 24 02... ... 000001-999999
Akumulātorā spriegums	18 V
Griešanas diapazons Tērauds	M 6 x 1 M 8 x 1,25 M 10 x 1,5 M 12 x 1,75
Griešanas diapazons Nerūšējošais tērauds	M 6 x 1 M 8 x 1,25 M 10 x 1,5
Svars atbilstoši EPTA -Procedure 01/2014 (Li-Ion 2,0 Ah...12,0 Ah)	3,9 kg...5,0 kg
Darbībai ieteicamā apkārtnes temperatūra	-18°C ... +50°C
Ieteicamie akumulatoru komplekti	M18B... M18HB...
Ieteicamās uzlādes ierīces	M12-18...
Trokšņu informācija	
Vērtības, kas noteiktas saskaņā ar EN 62841. A novērtētās aparatūras skaņas līmenis ir:	
Trokšņa spiediena līmenis (Nedrošība K=3dB(A))	75,27 dB (A)
Trokšņa jaudas līmenis (Nedrošība K=3dB(A))	86,27 dB (A)
Nēsāt trokšņa slāpētāju!	
Vibrācijas informācija	
Svārstību kopējā vērtība (Trīs virzienu vektoru summtiek noteikta atbilstoši EN 62841.	
svārstību emisijas vērtība a _h	0,48 m/s ²
Nedrošība K=	1,5 m/s ²



Lat



Ierīces apraksts

- | | |
|-----------------------------------|----------------------------|
| ① Galda atbalsti | ⑥ Atbrīvotāja mēlīte |
| ② Gaismas diode | ⑦ Rokturis |
| ③ Fiksētais asmens | Izolēta satveršanas virsma |
| ④ Kustīgais asmens | ⑧ Mēlīte |
| ⑤ Sešstūra uzgriežņatslēga (5 mm) | ⑨ Sešstūra iedobes skrūves |
| | ⑩ Baterija |

⚠ UZMANĪBU Izlasiet visus drošības norādījumus, instrukcijas, attēlus un datus, ko saņemat kopā ar ierīci. Turpmāk sniegto norādījumu neievērošana var kļūt par cēloni elektriskajam triecienam, ugunsgrēkam un/vai smagam savainojumam.

Pēc izlasīšanas uzglabājiet šos noteikumus turpmākai izmantošanai.

⚠ SPECIĀLIE DROŠĪBAS NOTEIKUMI

Šīsiekārtaslietotājam pirms darba uzsākšanas un turpmāk vismaz reizi gadā jāsaņem informācija par specifiskiem riskiem, kas saistīti ar šīsiekārtaslietošanu un svarīgiem drošības pasākumiem.

Darba izpildes uzņēmumiem:

- jānodrošina operatora piekļuve lietošanas instrukcijai un
- jāseko, lai operators būtu iepazinies ar tās saturu un to izpratis.

Uzturiet uzlīmes un datu plāksnītes kārtībā. Tajās ir svarīga informācija. Ja tās nav salasāmas vai trūkst, tad tās ir jānomaina.

Vienmēr rīkojieties apdomīgi un uzmanieties, kad izmantojat instrumentus. Nav iespējams paredzēt jebkuru situāciju, kas var izraisīt bīstamu rezultātu. Neizmantojiet šo instrumentu, ja neizprotat tā lietošanas instrukcijas vai jūtat, ka darbs pārsniedz jūsu spējas; sazinieties ar Milwaukee Tool vai apmācību speciālistu, lai saņemtu papildinformāciju vai apmācību.

Nestrādājiet ar strāvu vadošām detaļām. Iekārta NAV elektriski izolēta.

Nepietuviniet rokas un brīvu apģērbu griežējinstrumentiem un citām kustīgām detaļām. Pastāv nopietnu savainojumu, tostarp ekstremitāšu zaudēšanas, risks.

Izmantojiet aizsarglīdzekļus. Strādājot ar mašīnu, vienmēr jānēsā aizsargbrilles. Ieteicams nēsāt aizsargapģērbu, kā piemēram, aizsargmasku, aizsargcimdus, kurpes no stingra un neslidīga materiāla, ķiveri un ausu aizsargus.

UZMANĪBU!

Instrukcijā norādītā svārstību robežvērtība ir izmērīta mērījumu procesā, kas veikts atbilstoši standartam EN 62841, un to var izmantot elektroinstrumentu savstarpējai salīdzināšanai. Tā ir piemērota arī svārstību noslogojuma pagaidu izvērtēšanai.

Norādītā svārstību robežvērtība ir reprezentatīva elektroinstrumenta pamata pielietojuma jomām. Tomēr, ja elektroinstrumenti tiek pielietoti citās jomās, papildus izmantojot neatbilstošus elektroinstrumentus vai pēc nepietiekamas tehniskās apkopes, tad svārstību robežvērtība var atšķirties. Tas var ievērojami palielināt svārstību noslogojumu visa darba laikā.

Precīzai svārstību noslogojuma noteikšanai, ir jāņem vērā arī laiks, kad ierīces ir izslēgta vai arī ir ieslēgta, tomēr faktiski netiek lietota. Tas var ievērojami samazināt svārstību noslogojumu visa darba laikā.

Integrējiet papildus drošības pasākumus pret svārstību ietekmi lietotājam, piemēram: elektroinstrumentu un darba instrumentu tehniskā apkope, roku siltuma uzturēšana, darba procesa organizācija.

Lai mazinātu savainošanās risku, strādājot ar instrumentu vai veicot tā apkopi, lietojiet aizsargbrilles vai brilles ar sānu vairodziņiem. Materiāls var iekļūstīt vai sadalīties.

Lai novērstu savainojumu vai bojājumu riskus, nodrošinieties pret nejašu ierīces palaidi.

Nekādā gadījumā neturiet instrumentu žokļu un asmeņu zonā.

Pirms lietošanas pārlicinieties, ka asmeņos un žokļos nav plaisu vai cita veida bojājumu.

Vitņstieņu griezēju, akumulatora komplektu un lādētāju atļauts izmantot tikai tad, ja tiem nav nekādu bojājumu.

Bojājumu rašanās gadījumā nekavējoties nodot rīku labošanai specializētā servisā.

Pirms mašīnai veikt jebkāda veida apkopes darbus, ir jāizņem arī akumulators.

Neizmantojiet instrumentu, ja nav uzstādīti asmeņi. Var tikt saspīesti pirksti neatkarīgi no tā, vai asmeņi ir uzstādīti vai nē.

Pirms griešanas aizvāciet visus montāžas rīkus un uzgriežņus atslēgas.

Lai izvairītos no savainojumiem un bojājumiem, instrumentu, akumulatoru vai lādētāju nekad nemērciet ūdenī un nelaujiet tajos iekļūt mitrumam.

Negrieziet īsus sagatavju gabalus tur, kur pirksti var nonākt asmeņu tuvumā. Asmeņi ir asi!

Sagatavi nedrīkst ietekmēt mehānisko spēku slodze.

Lai mazinātu sprādziena, elektriskās strāvas trieciena draudus un risku sabojāt īpašumu vai ierīci, neizmantojiet ar strāvu vadošiem objektiem.

Instruments nav elektriski izolēts. Saskare ar zem sprieguma esošu vadu var izraisīt smagus savainojumus vai nāvi.

Asmeņu griežjamais ir asas. Turiet rokas tālāk no griešanas šķautnēm un kustīgajiem elementiem. Izvairieties no īsu materiāla gabalu griešanas, kur rokas nonāk griežjvirsmu tuvumā. Tie var izraisīt grieztas brūces vai pat amputēt ekstremitātes.

UZMANĪBU Daži putekļi, ko rada sīpēšana, zāģēšana, urbšana un citi būvdarbi, satur ķīmiskās vielas, kas izraisa vēzi, iedzimumus defektus vaikaitē reproduktīvajai veselībai. Daži šo ķīmisko vielu piemēri:

- svins no svina bāzes krāsas
- kristāla silīcijs no ķieģeļiem un cementa, kā arī citiem mūrniecības produktiem, un
- arsēns un hroms no ķīmiski apstrādātas koksnes.

Jūsu riski no šīs ekspozīcijas ir dažādi atkarībā no tā, cik bieži veicat šāda veida darbu. Lai samazinātu jūsu ekspozīciju pret šīm ķīmiskajām vielām: strādājiet labi vēdinātās vietās un ar atbilstošiem aizsarglīdzekļiem, kā putekļu maskas, kas ir īpaši paredzētas, lai izfiltrētu mikroskopiskās daļiņas.

UZMANĪBU! Lai novērstu īssavienojuma izraisītu aizdegšanās, savainojumu vai produkta bojājuma risku, neiegremdējiet instrumentu, maināmo akumulatoru vai uzlādes ierīci šķidrumos un rūpējieties par to, lai ierīces un akumulatoros neiekļūtu šķidrumi. Koroziju izraisoši vai vadītspējīgi šķidrumi, piemēram, sālsūdens, noteiktas ķīmikālijas, balinātāji vai produkti, kas satur balinātājus, var izraisīt īssavienojumu.

M18 sistēmas akumulatorus lādēt tikai ar M18 sistēmas lādētājiem. Nedrīkst lādēt citus akumulatorus no citām sistēmām.

Akumulatorus un lādētājus nedrīkst taisyt vaļā un tie jāuzglabā sausās telpās.

NOTEIKUMIEM ATBILSTOŠS IZMANTOJUMS

Šis lielas slodzes vitņstieņu griezējs ir izstrādāts profesionālam lietojumam.

UZMANĪBU: Lai izvairītos no savainojumu riskiem, grieziet tikai materiālus, kas ir piemēroti asmeņiem (skat. «Specifikācijas»). Nemēģiniet griezt citus materiālus.

Šis instruments nogriezīs vitņstieni tiri un bez atskarpēm, kas ļaus pievilkt uzgriežņus bez papildu apstrādes. Sagataves kvalitāte, netīrumi un mērogs var ietekmēt spēju uzskrūvēt uzgriežņus ar roku.

PIEZĪME: Izmantojiet šo instrumentu, lai grieztu izmērus un materiālus, kas norādīti tālāk. Citi izmēri un materiāli bojās instrumentu un sagatavi.

NEIZMANTOJĒT mitros apstākļos vai uzliesmojošu šķidrums vai gāzu tuvumā.

NEIZMANTOJĒT rūdītu skrūvju, cita izmēra vitņu vai armatūras stieņu griešanai.

PIEZĪME: Vitņstieņu griezējs ir izstrādāts tā, lai uzgrieznis būtu uzskrūvējams uz nogriezta vitņstieņa ar roku. Vitnes kvalitāte, virsmas pārklājums (tas ir, galvanizēts vai plakēts), netīrumi un mērogs var ietekmēt uzgriežņa spēju brīvi uzskrūvēties uz vitņstieņa.

UZMANĪBU: Ja asmeņus ir jāatver bez cikla pabeigšanas, nekad neatlaidiet galveno rokturi. Izmantojiet savu otru roku, lai spiestu reversa pogu, līdz iemirdzas indikators. Novietojiet roku atpakaļ uz sagataves un kārtīgi to turiet. Pēc tam nospiediet sprūdu, līdz instruments automātiski apstājas, lai atvērtu asmeņus.

IZMANTOŠANA

Iekārtaslietošanas laikāobligāti jāvalkā brilles.

Griežjasmaņi ir asi. Turiet rokas tālāk no griešanas šķautnēm un kustīgajiem elementiem. Izvairieties no īsu materiāla gabalu griešanas, kur rokas nonāk griežjasmaņu tuvumā. Tie var izraisīt grieztas brūces vai pat amputēt ekstremitātes.

Izmantojot virs galvas, nodrošiniet, lai ABI stieņa gali ir kārtīgi nofiksēti, lai izvairītos no gabalu nokrišanas, kad griezumus ir pabeigts.

Griešana

- Pirms lietošanas pārlicinieties, ka griežjasmaņi ir piemēroti pareizam stieņa izmēram.
 - Pārlicinieties, ka sešstūra skrūves ir kārtīgi pievilktas.
 - Grieziet tīrus materiālus, lai paildzinātu asmeņu griežjamā lietošanas laiku.
 - Noslaukiet netīrumus un gružus no materiāla un griežjasmaņiem pirms griešanas sākšanas.
 - Izmantojiet griežjasmaņus ar materiālu, kuram tas bija paredzēts. Citi materiāli var bojāt griežjasmaņus un instrumentu.
 - Ievietojiet akumulatora komplektu.
 - Lai nodrošinātu atbilstošu asmeņu lietošanas laiku, griezuma laikā vitņstienim jābūt pilnīgi aptvertam ar asmeņiem. Lai darbs būtu precīzs, pirms griezuma vienmēr nostipriniet sagatavi.
 - Nemēģiniet veikt griezumus leņķi. Tas bojās asmeņus un sagatavi. Stingri un droši turiet materiālu pret fiksēto griežjasmaņi, kad uzsākat griezumu.
 - Lai darbinātu instrumentu reversā, nospiediet reversa pogu; iemirdzēsies pogas indikators. Nospiediet un turiet sprūdu, lai uzsāktu reverso kustību.
- PIEZĪME:** Instruments pārslēgsies reversā režīmā tikai tad, ja žokļi NAV pilnībā atvērti.



Lat

Reversa poga

Ja griezējzōkļi ir jāatver, nepabeidzot griešanas ciklu:

1. Atlaidiet sprūdu.
2. Atlaidiet reversa pogu. Pogas indikators izgaismosies.
3. Nospiediet sprūdu un stingri turiet instrumentu, līdz griezējzōkļi ir pilnībā atvērti. **PIEZĪME:** Instruments pārslēgsies reversā režīmā tikai tad, ja zōkļi NAV pilnībā atvērti.

Iestrēguši griezējasmēņi

Neturimi un skaidras var kļūt par iemeslu tam, ka pēc griešanas griezējasmēņi iestrēgst. Ja instruments izslēdzas un griezējzōkļi vēl arvien ir aizvērti

1. Nospiediet reversa pogu un nospiediet sprūdu, līdz griezējzōkļi pilnībā atveras. Ja tas nepalīdz:
2. Izņemiet akumulatora komplektu;
3. Izņemiet, notīriet un uzstādiat griezējasmēņus atpakaļ atbilstoši „Griezējasmēņu izņemšana/nomainīšana”.

APKOPE

Pirms mašīnai veikt jebkāda veida apkopes darbus, ir jāizņem arī akumulators.

Nekad nemēģiniet izjaukt vītņstieņu griezēju, akumulatoru vai lādētāju. Sekojiet, vai vītņstieņu griezējam neparādās problēmas, piemēram, troksnis vai iestrēgšana, kas var ietekmēt instrumenta darbību.

Pārbaudiet, vai griešanas instrumentam nav parādījušās plaisas vai kādas citas nelietošanās pazīmes.

Notīriet putekļus un gružus no atverēm. Uzturiet rokturi tīru, sausu un bez eļļas vai smērvielu piesārņojuma. Izmantojiet tīrīšanai tikai maigas ziepes un mitru drānu, jo daži tīrīšanas līdzekļi un šķīdinātāji kaitē plastmasai un citām izolētām daļām. Daži no tiem ir benzīns, terpentīns, lakas šķīdinātājs, krāsas šķīdinātājs, hlorēti tīrīšanas šķīdumi, amonjaks un saimniecības tīrīšanas līdzekļi, kas satur amonjaku. Nekad neizmantojiet degošus vai uzliesmojošus šķīdinātājus instrumentu tuvumā.

Pārlicinieties, ka griezējinstrumenti ir uzasināti un nomainiet nodilušus griezējinstrumentus.

Ja griezējinstrumentos ir radušies robi vai bojājumi, nomainiet tos. Vienmēr vienlaikus nomainiet abus griezējinstrumentus. Izmantojiet tikai „MILWAUKEE” markas asmeņus.

Lai izvairītos no savainojumiem un bojājumiem, instrumentu, akumulatoru vai lādētāju nekad nemērciet ūdenī un neļaujiet tajos iekļūt mitrumam.

Vajag vienmēr uzmanīt, lai būtu tīras dzesēšanas atveres.

Papildu apkopes un remonta darbus atļauts veikt tikai pilnvarotām specializētām darbnīcām.

Izmantojiet tikai firmu Milwaukee piederumus un firmas Milwaukee rezerves daļas. Lieciet nomainīt detaļas, kuru nomainīšana nav aprakstīta, kādā no firmu Milwaukee klientu apkalpošanas servisiem. (Skat. brošūru „Garantija/klientu apkalpošanas serviss”).

Ja nepieciešams, klientu apkalpošanas servīs vai tieši pie firmas Techtronic Industries GmbH, Max-Eyth-Straße 10, 71364 Winnenden, Germany, var pieprasīt instrumenta numurs, kas norādīts uz jaudas paneļa.

AKUMULĀTORI

Pie temperatūras, kas pārsniedz 50°C, akumulātoru darbība tiek negatīvi ietekmēta. Vajag izvairīties no ilgākas saules un karstuma iedarbības.

Lādētāja un akumulātoru pievienojuma kontakti jāautur tīri.

Lai baterijas darba ilgums būtu optimāls, pēc iekārtas izmantošanas tā jāuzlādē. Akumulātori, kas ilgāku laiku nav izmantoti, pirms lietošanas jāuzlādē.

Lai akumulātori kalpotu pēc iespējas ilgāku laiku, tos pēc uzlādes ieteicams atvienot no lādētāj ierīces.

Akumulatora uzglabāšana ilgāk kā 30 dienas: uzglabāt akumulātoru pie aptuveni 27°C un sausā vietā., Uzglabāt akumulātoru uzlādes stāvoklī aptuveni pie 30%-50%., Uzlādēt akumulātoru visus 6 mēnešus no jauna.

Izmantotos akumulārus nedrīkst mest uguni vai parastajos atkritumos. Firma Milwaukee piedāvā iespēju vecos akumulātorus savākt apkārtnējo vidi saudzējošā veidā; jautājiet specializētā veikalā.

Akumulātorus nav ieteicams glabāt kopā ar metāla priekšmetiem (iespējams isslēgums).

Pie ārkārtas slodzes un ārkārtas temperatūrām no bojātā akumulātorā var iztect akumulātorā šķidrums. Ja nonākat saskarsmē ar akumulātorā šķidrumu, saskarsmes vieta nekavējoties jānomazgā ar ūdeni un ziepēm. Ja šķidrums nonācis acīs, acis vismaz 10 min. skalot un nekavējoties konsultēties ar ārstu.

Jāuzmanās, lai akumulātoru lādētājā nenokļūtu nekādi metāla priekšmeti (iespējams isslēgums).

LITIJA JONU AKUMULĀTORU TRANSPORTĒŠANA

Uz litija jonu akumulātoriem attiecas noteikumi par bīstamo kravu pārvadāšanu.

Šo akumulātoru transportēšana jāveic saskaņā ar vietējiem, valsts un starptautiskajiem normatīvajiem aktiem un noteikumiem.

Patērētāja darbības, pārvadājot šos akumulātorus pa autoceļiem, nav reglamentētas.

Uz litija jonu akumulātoru komerciālu transportēšanu, ko veic ekspedīcijas uzņēmums, attiecas bīstamo kravu pārvadāšanas noteikumi. Sagatavošanas darbus un transportēšanu drīkst veikt tikai atbilstoši apmācīts personāls. Viss process jāveda profesionāli.

Veicot akumulātoru transportēšanu, jāievēro:

Pārlicinieties, ka kontakti ir aizsargāti un izolēti, lai izvairītos no īssavienojumiem. Pārlicinieties, ka akumulātoru iepakojumā nevar paslīdēt. Bojātus vai tekošus akumulātorus nedrīkst transportēt. Plašāku informāciju Jūs varat saņemt no ekspedīcijas uzņēmuma.



Lat

ATBILSTĪBA CE NORMĀM

Mēs ar pilnu atbildību paziņojam, ka izstrādājums, kas raksturots sadaļā „Tehniskie dati”, atbilst visām attiecīgajām prasībām direktīvās

2011/65/EU (RoHS)

2006/42/EC

2014/30/EU

un ir piemēroti šādi saskaņotie standarti

EN 62841-1:2015

EN 55014-1:2017+A11:2020

EN 55014-2:2015

EN IEC 63000:2018



Winnenden, 2020-11-09

Alexander Krug / Managing Director

Pilnvarotais tehniskās dokumentācijas sastādīšanā.

Techtronic Industries GmbH

Max-Eyth-Straße 10, 71364 Winnenden, Germany

SIMBOLI



Pirms sākt lietot instrumentu, lūdzu, izlasiet lietošanas pamācību.



Strādājot ar mašīnu, vienmēr jānēsā aizsargbrilles.



Vilcējspēks



UZMANĪBU! BĪSTAMI!



Pirms mašīnai veikt jebkāda veida apkopes darbus, ir jāizņem arī akumulators.



Nepietuviniet rokas griezējinstrumentam un citām kustīgām detaļām. Pirksti var iekļūt griezēj mehānismā un tikt amputēti vai savainoti.



Piederumi - standartapriekojumā neietvertās, bet ieteicamās papildus komplektācijas detaļas no piederumu programmas.



Elektriskus aparātus, baterijas/akumulatorus nedrīkst utilizēt kopā ar māsaimniecības atkritumiem. Elektriski aparāti un akumulatori ir jāsavāc atsevišķi un jānodod atkritumu pārstrādes uzņēmumā videi saudzīgai utilizācijai. Jautājiet vietējā iestādē vai savam specializētājam tirgotājam, kur atrodas atkritumu pārstrādes uzņēmumi vai savākšanas punkti.

V Voltāža



Līdzstrāva



Eiropas atbilstības zīme



Lielbritānijas atbilstības zīme



Ukrainas atbilstības zīme



Eirāzijas atbilstības zīme

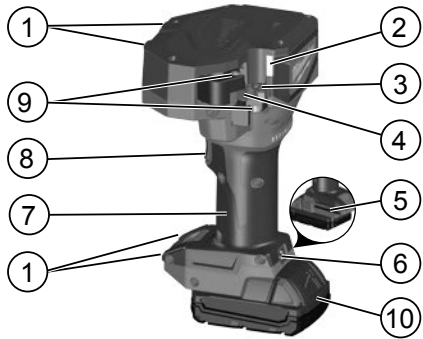


Lat

TECHNINIAI DUOMENYS	M18 BLTRC
Produktu numeris	4775 24 02... ... 000001-999999
Keičiamo akumulatoriaus įtampa	18 V
Pjovimo diapazonas Plieną	M 6 x 1 M 8 x 1,25 M 10 x 1,5 M 12 x 1,75
Pjovimo diapazonas Tauris plienas	M 6 x 1 M 8 x 1,25 M 10 x 1,5
Prietaiso svoris įvertintas pagal EPTA 01/2014 tyrimų metodiką (Li-Ion 2,0 Ah...12,0 Ah)	3,9 kg...5,0 kg
Rekomenduojama aplinkos temperatūra eksploatuojant	-18°C...+50°C
Rekomenduojami akumulatoriai	M18B... M18HB...
Rekomenduojami įkrovikliai	M12-18...
Informacija apie keliamą triukšmą	
Vertės matuotos pagal EN 62841. Įvertintas A įrenginio keliamo triukšmo lygis dažniausiai sudaro:	
Garso slėgio lygis (Paklaida K=3dB(A))	75,27 dB (A)
Garso galios lygis (Paklaida K=3dB(A))	86,27 dB (A)
Nešioti klausos apsauginės priemonės!	
Informacija apie vibraciją	
Bendroji svyravimų reikšmė (trių krypčių vektorių suma), nustatyta remiantis EN 62841.	
Vibravimų emisijos reikšmė a_h	0,48 m/s ²
Paklaida K=	1,5 m/s ²



Liet



Įrenginio aprašymas

- | | |
|------------------------------------|--|
| ① Darbastalio paviršiaus atrama | ⑥ Atlaisvinimo gaidukas |
| ② LED | ⑦ Rankena izoliuotas rankenos paviršius |
| ③ Įtvirtintos žnyplės | ⑧ Gaidukas |
| ④ Paslankios žnyplės | ⑨ Sraigtais su šešiabriaune galvutės įduba |
| ⑤ Šešiakampis veržliaraktis (5 mm) | ⑩ Akumulatorius |

⚠ DĖMESIO Perskaitykite visas saugos nuorodas, instrukcijas, iliustracijas ir duomenis, kuriuos gaunate su prietaisu. Jei nepaisysite toliau pateiktų nuorodų, gali kilti elektros smūgio, gaisro ir/arba sunkių sužalojimų pavojus. **Išsaugokite šias saugos nuorodas ir reikalavimus, kad ir ateityje galėtumėte jais pasinaudoti.**

⚠ YPATINGOS SAUGUMO NUORODOS

Šio įrenginio naudotojas turi būti informuotas apie konkrečius pavojus, susijusius su šio įrenginio naudojimu, ir pagrindines saugos priemones prieš jam pirmą kartą imantis darbo, o vėliau – bent kartą per metus.

Veiklą vykdanti įmonė turi:

- Pasirūpinti, kad naudotojas turėtų naudojimo instrukciją,
- užtikrinti, kad naudotojas ją perskaitytų ir suprastų.

Saugokite etiketes ir vardines plokšteles. Jos suteikia svarbią informaciją. Jei jų nėra, ar jų neįmanoma perskaityti, jos turi būti pakeistos naujomis.

Naudodami šį įrenginį, remkitės racionalumu ir elkitės atsargiai. Neįmanoma numatyti visų galimų situacijų, kurios gali sukelti pavojingų pasekmių. Nenaudokite šio įrenginio, jei naudojimo instrukcijos nėra aiškios arba manote, kad darbas neatitinka jūsų pajėgumo; dėl papildomos informacijos ar mokymų susisiekite su „Milwaukee Tool“ arba šios srities profesionalu.

Ne dirbkite su įtampingosiomis dalimis. Įrenginys NĖRA izoliuotas.

Rankas ir laisvus drabužius laikykite atokiau nuo kirpimo įrankių ir kitų judančių dalių. Kyla pavojus rimtai susižaloti, taip pat pavojus netekti galūnių.

Naudokite apsaugos priemones. Dirbdami su įrenginiu visada nešiokite apsauginius akinius. Rekomenduotina dėvėti apsaugines priemones: apsaugos nuo dulkių respiratorius, apsaugines pirštines, kietus batus neslidžiais padais, šalną ir klausos apsaugos priemones.

Lietuviškai

Kad sumažintumėte susižalojimo pavojų, naudodami ar techniškai prižiūradami įrenginį dėvėkite apsauginius akinius su šoniniais skydeliais. Medžiaga gali įtrukti ar subyrėti.

Norėdami išvengti susižeidimų ir gedimų, stenkitės saugoti įrenginį nuo netyčinio įsijungimo.

Niekada nelaikykite įrankio suėmę už žiočių ar kirpimo žnyplių.

Prieš naudodami, visada patikrinkite kirpimo žnyplės ir jų žiotis, ar yra įtrūkimų ar kitų nusidėvėjimo požymių.

Srieginio strypo kirpimo įrankį, akumuliatorių ir įkroviklį naudokite tik tada, jei jų techninė būklė yra nepriekaištinga.

Remontuoti pažeidimus nedelsdami paveskite įgaliotoms dirbtuvėms.

Prieš atlikdami bet kokius darbus įrenginyje, išimkite keičiamą akumuliatorių.

Nenaudokite įrankio be įdėtų žnyplių. Pirštai gali būti sutraiškyti su ar be įdėtų žnyplių.

Prieš kirpdami pašalinkite bet kokius nustatymo įrankius ir veržliarakčius.

Niekada nemerkite įrankio, išimamo akumulatoriaus ar įkroviklio į skystį ir neleiskite skysčiui į juos patekti, kad išvengtumėte sužalojimų ir žalos.

Nekirpkite trumpų ruošinių, dėl kurių pirštai gali per daug priartėti prie žnyplių. Žnyplės yra aštrios!

Ruošiniai negali būti veikiami jokių mechaninių jėgų.

Norėdami sumažinti sprogių, elektros šoko ir žalos nuosavybei ar įrangai pavojų, niekada nenaudokite ant judančių objektų.

Įrankis NĖRA izoliuotas. Prisilietus prie grandinės, kuria teka srovė, galimi rimti sužalojimai arba mirtis.

Kirpimo žnyplių geležtės yra aštrios. Nelineskite jokių aštrių kirpimo briaunų ar judančių dalių. Venkite trumpų dalių kirpimo, dėl kurių tektų laikyti rankas arti geležčių. Galimos plėštinės žaizdos arba amputacija.

DĖMESIO Kai kurios dulksės sukeltos elektrinio šlifavimo, pjovimo, šlifavimo, gręžimo ir kitų statybos veiklų, turi chemikalų, galinčių sukelti vėžį, apsigimimus ar kitą reprodukcinę žalą. Kai kurie šių chemikalų pavyzdžiai yra:

- švinas iš švino pagrindu pagamintų dažų
- kristaliniis silicis iš plytų ir cemento, ir kitų mūro gaminių; bei
- arsenas ir chromas iš chemiškai apdorotos medienos.

Rizika susijusi su šių chemikalų poveikiu priklauso nuo to, kaip dažnai susiduriama su tokio pobūdžio darbu. Kad sumažintumėte šių chemikalų keliamą poveikį, dirbkite gerai vėdinamoje patalpoje su saugos reikalavimus atitinkančia įranga, pavyzdžiui, dėvėkite respiratorių, kuris pritaikytas filtruoti mikroskopines dalelytes.

DĖMESIO! Siekdami išvengti trumpojo jungimo sukeltą gaisro pavojų, sužalojimų arba produkto pažeidimų, neikiškite įrankio, keičiamo akumulatoriaus arba įkroviklio į skystis ir pasirūpinkite, kad į prietaisus arba akumulatorius nepatektų jokių skysčių. Koroziją sukeliantys arba laidūs skysčiai, pvz., sūrus vanduo, tam tikri chemikalai ir balikliai arba produktai, kurių sudėtyje yra baliklių, gali sukelti trumpąjį jungimą.

Keičiamas M18 sistemos akumulatorius kraituke tik „M18“ sistemos įkrovikliams. Nekraukite kitų sistemų akumuliatorių.

Keičiamų akumuliatorių ir įkroviklių nelaikykite atvirai. Laikykite tik sausoje vietoje. Saugokite nuo drėgmės.

NAUDOJIMAS PAGAL PASKIRTĮ

Šis didelio našumo srieginio strypo kirpimo įrankis yra skirtas tik profesionaliam naudojimui.

DĖMESIO: Kad sumažintumėte susižalojimo pavojų, kirpkite tik tas medžiagas, kurios rekomenduojamos kirpti šiomis žnyplėmis (žr. „Savybės“). Nebandykite kirpti kitų medžiagų.

Šis įrankis nukirps srieginį strypą daliai ir be atšerpetojimų, todėl veržlės gali būti priveržtos rankomis be papildomos apdailos. Ruošinio kokybė, nešvarumai ir mastelis gali turėti įtakos veržlių priveržimui rankomis.

PASTABA: Naudokite šį įrenginį tik žemiau nurodytų dydžių ir medžiagų kirpimui. Kiti dydžiai ar medžiagos gali pažeisti įrenginį ar ruošinį.

NENAUDOKITE drėgnomis oro sąlygomis ar šalia degių skysčių ar dujų.

NENAUDOKITE grūdintų varžtų, skirtingų ilgių sriegių ar armatūros strypų kirpimui.

PASTABA: Strypo kirpimo įrankio dizainas sukurtas palengvinti veržlės užsriegimą ranka ant nukirpto strypo. Užsriegimo kokybė, paviršiaus apdaila (t.y. galvanizuota ar padengta), nešvarumai ir mastelis gali įtakoti laisvą veržlės užsriegimą ant nukirpto strypo.

DĖMESIO: Jei žnyplės turi būti atidarytos neužbaigus darbo ciklo, niekada nepaleiskite rankenos. Naudokite kitą ranką atgalinės eigos mygtuko paspaudimui tol, kol užsidsigs indikacinė lemputė. Uždekite ranką atgal ant ruošinio ir tvirtai jį laikykite. Žnyplių atidarymui paspauskite pagrindinį paleidiklį kol įrankis sustos automatiškai.

NAUDOJIMAS

Naudodami įrenginį visada nešiokite apsauginius akinius ir klausos apsaugą.

Kirpimo žnyplės yra aštrios. Nelineskite jokių aštrių kirpimo briaunų ar judančių dalių. Venkite trumpų dalių kirpimo, dėl kurių tektų laikyti rankas arti kirpimo žnyplių. Galimos plėštinės žaizdos arba amputacija.

Naudodami įrenginį virš galvos įsitinkinkite, kad ABU strypo galai yra saugiai pritvirtinti tam, kad apsaugotumėte nuo krentančių nukirptų dalių.

Kirpimas

- Prieš naudojimą patikrinkite, ar kirpimo žnyplės yra priderintos prie atitinkamo strypo dydžio.
 - Įsitinkinkite, kad šešiakampiai sraigčiai yra saugiai pritvirtinti.
 - Ilgesniam kirpimo žnyplių geležtės tarnavimo laikui kirpkite tik švarią medžiagą.
 - Prieš pradėdami kirpti, nuvalykite nešvarumus ir atlažas nuo medžiagos ir kirpimo geležčių.
 - Naudokite kirpimo žnyplės tik toms medžiagoms, kurioms jos yra pritaikytos. Kitos medžiagos gali pažeisti kirpimo įrankį.
 - Įdėkite akumuliatorių.
 - Tinkamam žnyplių tarnavimo laiko užtikrinimui, kirpimo metu srieginis strypas turi būti tinkamai įstatytas. Norėdami pasiekti tikslių rezultatų, visada pritvirtinkite ruošinį.
 - Nebandykite kirpti kampu. Tai tik pažeis kirpimo žnyplės ir ruošinį. Pradėdami kirpimą, tvirtai ir saugiai laikykite medžiagą prie pritvirtintų kirpimo žnyplių.
 - Norėdami naudoti atgalinę eigą, paspauskite atgalinės eigos mygtuką; įsijungs mygtuko lemputė. Paspauskite ir palaikykite paleidiklį atbulinei eigai.
- PASTABA: Įrenginys įsijungs atgaline eiga, jeigu žiotys NĖRA pilnai atvertos.



Atgalinės eigos mygtukas

Jei kirpimo žiolyt turi būti atidarytos neužbaigus kirpimo:

1. Paleiskite paleidiklį.
2. Paspauskite atgalinės eigos mygtuką. Mygtuko indikacinė lemputė UŽSIDĖGS.
3. Patraukite paleidiklį ir tvirtai laikykite tol, kol kirpimo žiolyt atsідarsys. PASTABA: Įrenginys įsijungs atgaline eiga, jeigu žiolyt NĖRA pilnai atvertos.

Užstrigusios kirpimo žnyplės

Dėl nešvarumų ir atlaūžų po kirpimo geležtės gali užstrigti. Jei įrankis išsijungia ir kirpimo žiolyt vis dar uždarytas:

1. Paspauskite atgalinės eigos mygtuką ir patraukite paleidiklį tol, kol kirpimo žiolyt atsідarsys. Jei neveikia,
2. Išimkite akumuliatorių
3. Išimkite, išvalykite ir atgal įstatykite kirpimo žnyplės taip, kaip parodyta skyriuje „Žnyplių išėmimas/pakeitimas“.

TECHNINIS APTARNAVIMAS

Prieš atlikdami bet kokius darbus įrenginyje, išimkite keičiamą akumuliatorių.

Niekada neardykite srieginio strypo kirpimo įrankio, išimamo akumuliatoriaus ar įkroviklio. Įsitinkinkite, kad srieginio strypo kirpimo įrankis neturi jokių veikimo sutrikimų, pavyzdžiui, neįprasto triukšmo arba judančių dalių strigimo, kurios galėtų pakenkti įrankiui.

Patikrinkite kirpimo įrankius, ar yra įtrūkimų ir kitų dėvėjimosi požymių.

Nuvalykite dulkes ir atlaūžas nuo atvirų angų. Laikykite rankeną švarią ir sausą, be alyvos ar tepalų. Valymui naudokite tik švelnų muilą ar drėgną skudurėlį, nes kai kurios valymo priemonės yra netinkamos plastikinėms ir kitoms izoliuotoms dalims. Kai kurios jų yra benzinas, terpentinas, lako skiediklis, dažų skiediklis, valikliai, kurių sudėtyje yra chloro, amoniakas ir buitiniai plovikliai, kurių sudėtyje yra amoniako. Niekada nenaudokite degių ar lengvai įsiliepsnojančių skysčių prie įrankių.

Patikrinkite, ar kirpimo įrankiai yra aštrūs, pakeiskite nusidėvėjusius kirpimo įrankius.

Pakeiskite aplužiusius arba apgadintus kirpimo įrankius. Visada keiskite visą kirpimo įrankių komplektą. Naudokite tik MILWAUKEE geležtes.

Niekada nemerkite įrankio, išimamo akumuliatoriaus ar įkroviklio į skystį ir neleiskite skysčiui į juos patekti, kad išvengtumėte sužalojimų ir žalos.

Įrenginio vėdinimo angos visada turi būti švarios.

Kitus priežiūros ir remonto darbus turi atlikti tik įgaliotų specializuotų dirbtuvių personalas.

Naudokite tik „Milwaukee“ priedus ir „Milwaukee“ atsargines dalis. Dalis, kurių keitimas neaprašytas, leidžiama keisti tik „Milwaukee“ klientų aptarnavimo skyriams (žr. garantiją/klientų aptarnavimo skyrių adresus brošiuroje).

Jei reikia, nurodant įrenginio tipą bei specifikacijų lentelėje esantį numerį, iš klientų aptarnavimo skyriaus arba tiesiai iš Techtronic Industries GmbH, Max-Eyth-Straße 10, 71364 Winnenden, Germany, galima užsisakyti prietaiso surinkimo brėžinius.

AKUMULIATORIAI

Aukštesnė nei 50°C temperatūra mažina keičiamų akumuliatorių galią. Venkite ilgesnio saulės ar šilumos šaltinių poveikio.

Įkroviklio ir keičiamo akumuliatoriaus jungiamieji kontaktai visada turi būti švarūs.

Kad prietaisas kuo ilgiau veiktų, pasinaudoję juo, iki galo įkraukite akumuliatorius. Ilgesnį laiką nenaudotus keičiamus akumuliatorius prieš naudojimą įkraukite.

Siekiant užtikrinti kuo ilgesnį baterijos tarnavimo laiką, reikėtų ją po atlikto įkrovimo iškart išimti iš įkroviklio.

Bateriją laikant ilgiau nei 30 dienų, būtina atkreipti dėmesį į šias nuorodas, bateriją laikyti sausoje aplinkoje, esant apie 27 °C temperatūrai. Baterijos įkrovimo lygis turi būti nuo 30% iki 50%. Baterija pakartotinai turi būti įkraunama kas 6 mėnesius.

Sunaudoūtų keičiamų akumuliatorių nedeginkite ir nemeskite į buitines atliekas. „Milwaukee“ siūlo tausojantį aplinką sudėvėtų keičiamų akumuliatorių tvarkymą, apie tai prekybos atstovo.

Keičiamų akumuliatorių nelaikykite kartu su metaliniais daiktais (trumpojo jungimo pavojus).

Ekstremalių apkrovų arba ekstremalios temperatūros poveikyje iš keičiamų akumuliatorių gali ištekėti akumuliatoriaus skystis. Išsitėpus akumuliatoriaus skysčiu, tuoj pat nuplaukite vandeniu su muilu. Patekus į akis, tuoj pat ne trumpiau kaip 10 minučių gausiai skalaukite vandeniu ir tuoj pat kreipkitės į gydytoją.

Į įkroviklių keičiamiems akumuliatoriams įstatymui skirtą vamzdį turi nepatekti jokios metalinės dalys (trumpojo jungimo pavojus).

LIČIO JONŲ AKUMULIATORIŲ PERVEŽIMAS

Ličio jonų akumuliatoriams taikomos įstatyminės nuostatos dėl pavojingų krovinių pervežimų.

Šiuos akumuliatorius pervežti būtina laikantis vietinių, nacionalinių ir tarptautinių direktyvų ir nuostatų.

Naudotojai šiuos akumuliatorius gali naudoti savo transporte be jokių kitų sąlygų.

Už komercinį ličio jonų akumuliatorių pervežimą atsako ekspedicijos įmonė pagal nuostatas dėl pavojingų krovinių pervežimo. Pasiruošimo išsiųsti ir pervežimo darbus gali atlikti tik atitinkamai išmokyti asmenys. Visas procesas privalo būti prižiūrimas.

Pervežant akumuliatorius būtina laikytis šių punktų:

Siekiant išvengti trumpųjų jungimų, įsitinkinkite, kad kontaktai yra apsaugoti ir izoliuoti. Atkreipkite dėmesį, kad akumuliatorius pakuotės viduje neslidinėtų. Draudžiama pervežti pažeistus arba tekančius akumuliatorius. Dėl detalesnių nurodymų kreipkitės į savo ekspedicijos įmonę.



Liet

CE ATITIKTIES PAREIŠKIMAS

Prisiimdami visą atsakomybę pareiškiame, kad gaminys, aprašytas „Techniniuose duomenyse“, atitinka taikomus reikalavimus, išdėstytus direktyvose

2011/65/EU (RoHS)

2006/42/EC

2014/30/EU

ir buvo taikyti šie darnieji standartai

EN 62841-1:2015

EN 55014-1:2017+A11:2020

EN 55014-2:2015

EN IEC 63000:2018



Winnenden, 2020-11-09

Alexander Krug / Managing Director
Įgaliojtas parengti techninius dokumentus.
Techtronic Industries GmbH
Max-Eyth-Straße 10, 71364 Winnenden, Germany

SIMBOLIAI



Prieš pradėdami dirbti su prietaisu, atidžiai perskaitykite jo naudojimo instrukciją.



Dirbdami su įrenginiu visada nešiokite apsauginius akinius.



Traukimo jėga



DĖMESIO! ĮSPĖJIMAS! PAVOJUS!



Prieš atlikdami bet kokius darbus įrenginyje, išimkite keičiamą akumuliatorių.



Rankas laikykite atokiau nuo kirpimo įrankio ir kitų judančių dalių. Pirštai gali patekti į kirpimo mechanizmą ir būti nukirpti arba sužaloti.



Priedas – neįeina į tiekimo komplektaciją, rekomenduojamas papildymas iš priedų asortimento.



Elektros prietaisų, baterijų/akumuliatorių šalinti kartu su buitėmis atliekomis negalima. Elektros prietaisus ir akumuliatorius reikia surinkti atskirai ir atiduoti perdirbimo įmonei, kad būtų pašalinti aplinkai saugiu būdu. Vietos valdžios institucijose arba specializuotose prekybos vietose pasidomėkite apie perdirbimo ir surinkimo centrus.

V Įtampa



Nuolatinė srovė



Europos atitikties ženklas



Britanijos atitikties ženklas



Ukrainos atitikties ženklas

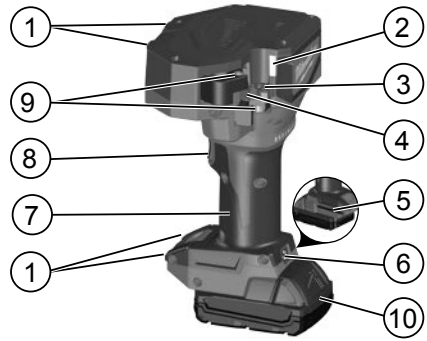
001



Eurazijos atitikties ženklas



TEHNILISED ANDMED Keermesvarda lõikur	M18 BLTRC
Tootmisnumber	4775 24 02... ... 000001-999999
Vahetatava aku pinge	18 V
Lõiketsoon Teras	M 6 x 1 M 8 x 1,25 M 10 x 1,5 M 12 x 1,75
Lõiketsoon Roostevaba teras	M 6 x 1 M 8 x 1,25 M 10 x 1,5
Kaal vastavalt EPTA-protseduurile 01/2014 (Li-Ion 2,0 Ah...12,0 Ah)	3,9 kg...5,0 kg
Soovituslik keskkonna temperatuur töötamiseks	-18°C ... +50°C
Soovituslikud akupakid	M18B... M18HB...
Soovituslik laadija	M12-18...
Müra andmed	
Mööteväärtsused on kindlaks tehtud vastavalt normile EN 62841. Seadme tüüpiline hinnanguline (müratase: Helirõhutase (Määramatus K=3dB(A))	75,27 dB (A)
Helivõimsuse tase (Määramatus K=3dB(A))	86,27 dB (A)
Kandke kaitseks kõrvaklappe!	
Vibratsiooni andmed	
Vibratsiooni koguväärtus (kolme suuna vektorsummamöödetud EN 62841 järgi.	
Vibratsiooni emissiooni väärtus a_h	0,48 m/s ²
Määramatus K=	1,5 m/s ²



Seadme kirjeldus

- | | |
|-----------------------|---|
| ① Tööpinnaotod | ⑦ Käepide
Isoleeritud pideme
piirkond |
| ② LED-lamp | ⑧ Päästik |
| ③ Fikseeritud haarats | ⑨ Kuuskantpesapoldid |
| ④ Liigutatav haarats | ⑩ Aku |
| ⑤ Kuuskantvõti (5 mm) | |
| ⑥ Vabastuspupp | |



TÄHELEPANU Lugege kõik seadmega kaasas olevad ohutusjuhised, juhendid, joonised ja andmed läbi.

Järgnevalt toodud juhiste eiramise tagajärjeks võib olla elektrilööki, tulekahju ja/või raskest vigastused.

Hoidke kõik ohutusnõuded ja juhised edasiseks kasutamiseks hoolikalt alles.



SPETSIAALSED TURVAJUHISED

Selle seadme operaator peab enne seadme esmakordset kasutamist ja seejärel vähemalt kord aastas läbima instruktuaazi, mille käigus teda teavitatakse seadme kasutamisega kaasnevatest ohtudest ja olulistest ohutusabinõudest.

Käitusettevõtte peab:

- tagama kasutusjuhendi kättesaadavuse kasutajale ning
- kindlustama, et kasutaja loeb selle läbi ja saab sellest aru.

Hoidke sildid ja tüübisildid korras. Neil on oluline teave. Mitteloe-tavaks muutunud või puuduvad sildid tuleb välja vahetada.

Kasutage tööriistade käsitsemisel alati ratsionaalset mõtlemist ja olge ettevaatlik. Kõiki ohtlikke olukordi ei ole võimalik ette näha. Ärge kasutage seda tööriista, kui te ei saa kasutusjuhendist aru või kui tunnete, et töö ületab teie võimeid; lisateabe saamiseks või koollitusele osalemiseks pöörduge Milwaukee Tooli poole.

Ärge töötage pingestatud osadega. Seade EI OLE isoleeritud.

Hoidke käed ja lahtine riietus lõikeinstrumentidest ja teistest liikuvatest osadest eemal. Raskete vigastuste oht, sh jäsemete amputeerimise oht.

Kasutage kaitsevarustust. Masinaga töötades kandke alati kaitseprille. Kaitseriietusena soovitatakse kasutada tolumaski kaitsekindaid, kinniseid ja libisemisvastase tallaga jalanõusid, kiivrit ja kuulmisteede kaitset.

Vigastusohu vältimiseks kandke tööriistaga töötamise või tööriista hooldamise ajal kaitseprille või küljekaitsetega prille. Materjal võib möraneda või puruneda.

Vigastuste ja kahjustuste vältimiseks jälgige, et seade ei käivituks juhuslikult.

Ärge hoidke tööriistast kinni lõugade ja löikehaaratsite juurest.

Enne kasutamist kontrollige alati, ega löikehaaratsitel ja lõugadel pole mörasid või muid kulumismärke.

Kasutage keermesvarvalõikurit, akupakki ja laadijat vaid juhul, kui need on laitmatu tehnilises seisukorras.

Laske kahjustused kohe volitatud oskustöökojas remontida.

Enne kõiki töid masina kallal võtke vahetatav aku välja.

Ärge kasutage tööriista, kui haaratsid pole paigaldatud. Sõrmede muljumisoht on nii haaratsitega kui ka haaratsiteta.

Enne lõikamist eemaldage seadistusvahendeid ja võtmed.

Vigastuste ja kahjustuste vältimiseks ärge asetage tööriista, eemaldatavat akut ega laadijat vette ega laske vedelikel neisse tungida.

Ärge lõigake lühikesi detaile, kus sõrmed võivad sattuda löikehaaratsite lähedusse. Haaratsid on teravad!

Töödeldavale detailile ei tohi rakendada mehaanilisi jõude.

Plahvatuse, elektrilöögi ja materiaalse kahju ohu vähendamiseks ärge kunagi kasutage tööriista pingestatud esemetel.

Tööriist EI OLE isoleeritud. Kokkupuude pingestatud ahelaga võib kaasa tuua raske vigastuse või surma.

Haaratsitel olevad terad on teravad. Hoidke käed lõikeservadest ja liikuvatest osadest eemal. Vältige lühikeste detailide lõikamist, kus käed on terade läheduses. Vastasel juhul võite saada lõikevigastusi või võib tekkida amputatsioon.

TÄHELEPANU Elektrilise poleerimise, saagimise, lihvimise, puurimise ja muude ehitustööde käigus tekkiv tolm võib sisaldada kemikaale, mis põhjustavad vähki, sünnidefekte või muud reproduktiivkahju. Sellised kemikaalid on näiteks järgmised:

- pliiipõhises värvis sisalduv plii;
- tellistes, tsemendis ja muudes müüritoodetes sisalduv kristalliline ränioksiid;

- keemiliselt töödeldud puidus sisalduv arseen ja kroom.

Nende kemikaalidega kokkupuutumisega kaasnev risk sõltub sellest, kui tihti seda laadi tööd teete. Nende kemikaalidega kokkupuutumise riski vähendamiseks töötage hea ventilatsiooniga kohas ning kasutage heakskiidetud isikukaitsevahendeid, näiteks mikroskoopilisi osakesi filtreerivad tolumumaskid.

TÄHELEPANU! Lühisest põhjustatud tuleohtu, vigastuste või toote kahjustuste vältimiseks ärge kastke tööriista, vahetusakut ega laadimiseadet vedelikku ning jälgige, et vedelikke ei tungiks seadmetesse ega akusse. Korrodeeruvad või elektrit juhtivad vedelikud, nagu soolvesi, teatud kemikaalid ja pleegitusained või pleegitusained sisaldavad tooted, võivad põhjustada lühisid.

Laadige süsteemi M18 vahetatavaid akusid ainult süsteemi M18 laadijatega. Ärge laadige nendega teiste süsteemide akusid.

Ärge avage vahetatavaid akusid ega laadijaid ning ladustage need ainult kuivades ruumides. Kaitske niiskuse eest.

KASUTAMINE VASTAVALT OTSTARBELE

See vastupidav keermesvarvalõikur on mõeldud kutsealaseks kasutamiseks.

TÄHELEPANU: Vigastusohu vähendamiseks lõigake ainult löikehaaratsite jaoks ette nähtud materjale (vt jaotist „Tehniline kirjeldus“). Ärge lõigake muid materjale.

See tööriist lõikab keermesvarvaid puhtalt ja kidadeta, mis võimaldab mutreid käsitsi keermestada ilma täiendava viimistluseta. Detaili kvaliteet, mustus ja skaala võivad mutrite käsitsi keermestamist halvendada.

MÄRKUS: Lõigake selle tööriista abil allpool loetletud suurusi ja materjale. Muud suurused ja materjalid kahjustavad tööriista ja detaile.

ÄRGE kasutage tööriista märgades tingimustes ega tuleohtlike vedelike või gaaside läheduses.

ÄRGE kasutage tööriista karastatud poltide, muu suurusega keermete ega tugevdusvarraste lõikamiseks.

MÄRKUS: Varvalõikur on projekteeritud selliselt, et mutter lõikab varrast käsitsi. Keerme kvaliteet, pinnaviimistlus (st galvaniseeritud või metalliseeritud), mustus ja skaala võivad halvendada mutri vaba keermestumist lõigatud vardal.

TÄHELEPANU: Kui löikehaaratsid on vaja avada enne tsükli lõppemist, ärge laske pöhi käepidest lahti. Vajutage teise käega tagatusnuppu, kuni indikaatorlamp süttib. Pange käsi tagasi detailile ja hoidke seda paigal. Seejärel vajutage pealülitit, kuni tööriist jääb automaatselt seisma, ning avage löikehaaratsid.

KASUTAGE

Kandke seadme kasutamise ajal alati prille.

Löikehaaratsid on teravad. Hoidke käed lõikeservadest ja liikuvatest osadest eemal. Vältige lühikeste materjalitükkide lõikamist, kus käed on terade läheduses. Vastasel juhul võite saada lõikevigastusi või võib tekkida amputatsioon.

Pea kohal kasutamise korral, kinnitage varda **MÕLEMAD** otsad, et osad ei saaks pärast lõikamist maha kukkuda.

Lõikamine

- Enne kasutamist jälgige, et löikehaaratsid oleksid varda suuruse järgi joondatud.
 - Kuuskantpolid peavad olema tugevalt kinni keeratud.
 - Löikehaaratsite terade kasutusea pikendamiseks lõigake puhast materjali.
 - Enne lõikamist pühkige mustus ja jäätmed materjalilt ja löikehaaratsitelt ära.
 - Kasutage löikehaaratsid ainult sellise materjaliga, mille jaoks need on mõeldud. Muud materjalid võivad löikehaaratsite ja tööriista kahjustada.
 - Paigaldage akupakk.
 - Löikehaaratsite kasutusea pikendamiseks tuleb keermesvarras lõikamise ajaks korrektselt ja täielikult löikehaaratsite vahele kinnitada. Täpsuse tagamiseks fikseerige detail enne lõikamist.
 - Ärge püüdke teha nurklõikeid. See kahjustab löikehaaratsite ja detaile. Lõikamise alustamisel hoidke materjali tugevalt vastu fikseeritud löikehaaratsit.
 - Ketta vastupidises suunas liikuma panemiseks vajutage tagurpidi pöörlema panemise nuppu; nupus süttib tuli. Ketta tagurpidi pöörlema panemiseks vajutage ja hoidke all käivituslülitit.
- MÄRKUS:** Tööriist lülitub tagurpidi pöörlemise režiimi vaid siis, kui lõuad EI OLE täiesti lahti.



Tagurpidi pöörelema panemise nupp

Kui lõikelõugu on vaja avada lõiketüki lõpetamata:

1. Vabastage käivituslülitit.
2. Vajutage tagurpidi pöörelema panemise nuppu. Nupus süttib tuli.
3. Vajutage käivituslülitit ja hoidke tööriista tugevalt kinni, kuni lõikelõud on täiesti lahti. MÄRKUS: Tööriist lülitub tagurpidi pöörelema režiimi vaid siis, kui lõud EI OLE täiesti lahti.

Kinnijäänud lõikehaaratsid

Lõikehaaratsid võivad mustuse tõttu pärast lõikamist kinni jääda. Kui tööriist lülitub välja ja lõikelõud on endiselt kinni:

1. vajutage tagurpidi pöörelema panemise nuppu ja tõmmake käivituslülitit, kuni lõikelõud on täielikult lahti. Kui see ei aita,
2. eemaldage akupakk.
3. Eemaldage lõikehaaratsid, puhastage need ja paigaldage tagasi vastavalt joatisele „Lõikehaaratsite eemaldamine/vahetamine“.



HOOLDUS

Enne kõiki töid masina kallal võtke vahetatava aku välja.

Ärge avage keermesvarda lõikurit, eemaldatavat akut ega laadijat. Kontrollige, ega keermesvarda lõikuril ei ole probleeme, näiteks müra või kinni kiilunud liikuvaid osi, mis võivad tööriista ohustada. Kontrollige, ega lõiketööriistadel pole mõrsid või muid kulumismärke.

Eemaldage avadest tolm ja mustus. Hoidke käepide puhtana, kuivana ning õli- ja määrdevabana. Kasutage puhastamiseks õrna seepi ja niisket lappi, sest teatud ained ja lahustid võivad plasti ja muid isoleeritud osi kahjustada. Sellised ained on näiteks bensiin, tärpentin, lahjendid, kloori sisaldavad puhastuslahused, ammoniaak ja ammoniaaki sisaldavad majapidamispuhastusvahendid. Ärge kasutage tööriistade läheduses tuleohtlikke ega süttivaid lahusteid.

Kontrollige, kas lõikeööriistad on teravad, ning vahetage kulunud lõiketööriistad.

Kui lõiketööriistad muutuvad sakiliseks või kahjustuvad, tuleb need välja vahetada. Vahetage lõiketööriista alati välja koos. Kasutage ainult MILWAUKEE lõiketerasid.

Vigastuste ja kahjustuste vältimiseks ärge asetage tööriista, eemaldatavat akut ega laadijat vette ega laske vedelikel neisse tungida.

Hoidke masina õhutuspilud alati puhtad.

Lisaks tuleb lasta hooldus- ja remonditöid alati teha volitatud spetsialistil.

Kasutage ainult Milwaukee tarkvuid ja Milwaukee tagavaraosi. Detailid, mille väljavahetamist pole kirjeldatud, laske välja vahetada Milwaukee klientiteeninduspunktis (vaadake brošüüri garantii / klientiteeninduste aadressid).

Vajaduse korral võite tellida seadme läbilõikejoonise, näidates ära masina tüübi ja andmesildil oleva numbr. Selleks pöörduge klientiteeninduspunkti või otse: Techtronic Industries GmbH, Max-Eyth-Straße 10, 71364 Winnenden, Germany.

AKUD

Temperatuur üle 50 °C vähendab vahetatava aku töövõimet. Vältige pikemat soojenemist päikese või kütteseadme mõjul.

Hoidke laadija ja vahetatava aku ühenduskontaktid puhtad.

Optimaalse patarei eluea tagamiseks, pärast kasutamist lae patareiplokk täielikult. Pikemat aega mittekasutatud akusid laadige veel enne kasutamist.

Akad tuleks võimalikult pika kasutusea saavutamiseks pärast täislaadimist laadijast välja võtta.

Aku ladustamisel üle 30 päeva: Ladustage akut kuivas kohas u 27°C juures. Ladustage akut u 30-50% laetuseisundis. Laadige aku iga 6 kuu tagant täis.

Ärge visake tarvitatud vahetatavaid akusid tulle ega olmeprügisse. Milwaukee pakub vanade akude keskkonnahoidlikku käitlust; palun küsige oma erialaselt tarnijalt.

Ärge säilitage vahetatavaid akusid koos metallsemetega (lühiseoht).

Äärmuslik koormusel või äärmuslikul temperatuuril võib kahjustatud vahetatavat akut akuedelik välja voolata. Akuedelikuga kokkupuutumise korral peske kohe vee ja seebiga. Silma sattumise korral loputage kiiresti põhjalikult vähemalt 10 minutit ning pöörduge viivitamatult arsti poole.

Laadijal olevasse vahetatava aku ühenduskambrisse ei tohi sattuda metalloosi (lühiseoht).

LIITIUMIOONAKUDE TRANSPORTIMINE

Liitiumioonakud on allutatud ohtlike ainete transportimisega seonduvatele õigusaktidele.

Nende akude transportimine peab toimuma kohalikest, siseriiklikest ja rahvusvahelistest eeskirjadest ning määrustest kinni pidades.

Tarbijad tohivad neid akusid edasiste piiranguteta tänaval transportida.

Liitiumioonakude komertstransport ekspedeerimisetevõtete kaudu on allutatud ohtlike ainete transportimisega seonduvatele õigusaktidele. Tarne-ettevalmistusi ja transporti tohivad teostada eranditult vastavalt koolitatud isikud. Kogu protsessi tuleb asjatundlikult jälgida.

Akude transportimisel tuleb järgida järgmisi punkte:

Tehke kindlaks, et kontaktid on lühiste vältimiseks kaitsstud ja isoleeritud. Pöörake tähelepanu sellele, et akupakk ei saaks pakendis nihkuda. Kahjustatud või välja voolanud akusid ei tohi kasutada. Pöörduge edasiste juhiste saamiseks ekspedeerimisetevõtete poole.

EÜ VASTAVUSAVALDUS

Kinnitame oma ainuvastutusel, et „Tehniliste andmete“ all kirjeldatud toode vastab direktiivide kõigile asjakohastele sätetele

2011/65/EU (RoHS)

2006/42/EC

2014/30/EU

ning täidetud on järgmiste ühtlustatud standardite nõuded.

EN 62841-1:2015

EN 55014-1:2017+A11:2020

EN 55014-2:2015

EN IEC 63000:2018



Winnenden, 2020-11-09

Alexander Krug / Managing Director

On volitatud koostama tehnilist dokumentatsiooni.

Techtronic Industries GmbH

Max-Eyth-Straße 10, 71364 Winnenden, Germany

SÜMBOLID



Palun lugege enne käikulaskmist kasutamisjuhend hoolikalt läbi.



Masinaga töötades kandke alati kaitseprille.



Tõmbejääd



ETTEVAATUST! TÄHELEPANU! OHUD!



Enne kõiki töid masina kallal võtke vahetatav aku välja.



Hoidke käed löikeinstrumendist ja teistest liikuvatest osadest eemal. Sõrmed võivad sattuda löikemehhanismi sisse ning maha lõigata või vigastusi saada.



Tarvikud - ei kuulu tarne komplekti, soovitatav täiendus on saadaval tarvikute programmis.



Elektriseadmeid, patareid/akusid ei tohi utiliseerida koos majapidamisprügiga. Elektriseadmed ja akud tuleb eraldi kokku koguda ning kõrvaldada keskkonnasõbralikul moel töötlemiskeskusesse. Küsige infot jäätmekäitlusjaamade ja kogumispunktide kohta oma kohalike ametnike või edasimüüja käest.

V Voltaaž

--- Alalisvool



Euroopa vastavusmärk



Ühendkuningriigi vastavusmärk



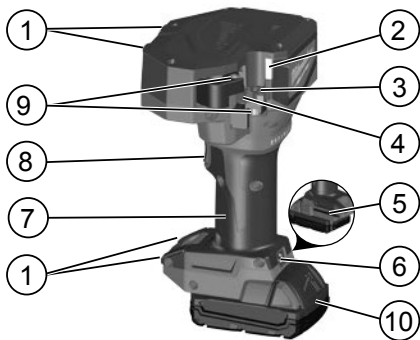
Ukraina vastavusmärk



Euraasia vastavusmärk



ТЕХНИЧЕСКИЕ ДАННЫЕ	M18 BLTRC
Инструмент для разрезания резьбовых стержней	
Серийный номер изделия	4775 24 02... ... 000001-999999
Вольтаж аккумулятора	18 V
Диапазон резки Стали	M 6 x 1 M 8 x 1,25 M 10 x 1,5 M 12 x 1,75
Диапазон резки Нержавеющая сталь	M 6 x 1 M 8 x 1,25 M 10 x 1,5
Вес согласно процедуре EPTA 01/2014 (Li-Ion 2,0 Ah...12,0 Ah)	3,9 kg...5,0 kg
Температура окружающей среды, рекомендованная для эксплуатации	-18°C... +50°C
Рекомендованные аккумуляторные блоки	M18B... M18HB...
Рекомендованные зарядные устройства	M12-18...
Информация по шумам	
Значения замерялись в соответствии со стандартом EN 62841. Уровень шума прибора, определенный по показателю A, обычно составляет:	
Уровень звукового давления (Небезопасность K=3dB(A))	75,27 dB (A)
Уровень звуковой мощности (Небезопасность K=3dB(A))	86,27 dB (A)
Пользуйтесь приспособлениями для защиты слуха.	
Информация по вибрации	
Общие значения вибрации (векторная сумма трех направлений) определены в соответствии с EN 62841.	
Значение вибрационной эмиссии a _h	0,48 m/s ²
Небезопасность K=	1,5 m/s ²



Описание устройства

- | | |
|-------------------------------|--|
| ① Настольные опоры | ⑦ Рукоятка
Изолированная
поверхность ручки |
| ② Светодиод | ⑧ Пусковой курок |
| ③ Фиксированный штамп | ⑨ Болты с шестигранной
головкой |
| ④ Подвижный штамп | ⑩ Аккумулятор |
| ⑤ Шестигранный ключ (5
mm) | |
| ⑥ Курок разблокировки | |

⚠ ВНИМАНИЕ Ознакомьтесь с правилами техники безопасности, техническими регламентами, изображениями и данными, прилагаемыми к устройству. При несоблюдении нижеприведенных указаний возможно поражение электротоком, возникновение пожара и/или получение серьезных травм.

Сохраняйте эти инструкции и указания для будущего использования.

⚠ РЕКОМЕНДАЦИИ ПО ТЕХНИКЕ БЕЗОПАСНОСТИ

Перед началом работ на устройстве и далее не реже одного раза в год оператор устройства должен быть проинструктирован относительно опасностей, характерных для использования данного устройства, и об основных мерах безопасности.

Эксплуатирующая компания обязана:

- предоставить руководство по эксплуатации в распоряжение оператора;
- и убедиться в том, что оператор прочел и принял к сведению информацию, предоставленную в руководстве.

Сохраняйте этикетки и фирменные таблички устройства. Они содержат важную информацию. Если они нечитабельны или отсутствуют, их необходимо заменить.

Всегда соблюдайте общепринятые правила разумного поведения и будьте осторожны при работе с инструментами. Невозможно предвидеть все ситуации, которые могут привести к опасным последствиям. Не используйте инструмент, если вам непонятны эти инструкции по эксплуатации или если вы считаете, что работа выходит за рамки ваших способностей; свяжитесь с Milwaukee Tool или с квалифицированным специалистом для получения дополнительной информации или проведения инструктажа.

ВНИМАНИЕ!

Указанный в настоящем руководстве уровень вибрации измерен в соответствии с технологией измерения, установленной стандартом EN 62841 и может использоваться для сравнения электроинструментов друг с другом. Он также подходит для предварительной оценки вибрационной нагрузки.

Указанный уровень вибрации представляет основные виды использования электроинструмента. Но если электроинструмент используется для других целей, используемый инструмент отклоняется от указанного или техническое обслуживание было недостаточным, то уровень вибрации может отклоняться от указанного. В этом случае вибрационная нагрузка в течение всего периода работы значительно увеличивается.

Для точной оценки вибрационной нагрузки необходимо также учитывать время, в течение которого прибор отключен или включен, но фактически не используется. В этом случае вибрационная нагрузка в течение всего периода работы может существенно уменьшиться.

Установите дополнительные меры безопасности для защиты пользователя от воздействия вибрации, например: техническое обслуживание электроинструмента и используемого инструмента, поддержание рук в теплом состоянии, организация рабочих процессов.

Не работайте на деталях, находящихся под электрическим напряжением. Устройство НЕ изолировано.

Держите руки и свободные элементы одежды вдаль от режущих инструментов и других движущихся частей. Существует опасность тяжелого ранения, включая отрывание конечностей.

Используйте защитные приспособления. При работе с инструментом всегда надевайте защитные очки. Рекомендуется спецодежда: пылезащитная маска, защитные перчатки, прочная и нескользящая обувь, каска и наушники.

Для снижения риска травмирования при эксплуатации или обслуживании инструмента надевайте защитные очки или очки с боковыми щитками. Материал может треснуть или разлететься на осколки.

Во избежание получения травм и порчи имущества исключите возможность случайного включения устройства.

Ни в коем случае не держите инструмент рукой в области тисков и режущих штампов.

Перед использованием всегда проверяйте штампы и тиски на наличие трещин или других признаков износа.

Используйте инструмент для разрезания резьбовых стержней, аккумуляторную батарею и зарядное устройство только в том случае, если они находятся в безупречном техническом состоянии.

Повреждения должны незамедлительно устраняться в сертифицированном сервисном центре.

Выньте аккумулятор из машины перед проведением с ней каких-либо манипуляций.

Не используйте инструмент без установленных штампов. Травмирование пальцев возможно как с установленными штампами, так и без них.

Перед выполнением разреза извлекайте любые установочные инструменты и ключи.

Во избежание ранения и порчи имущества ни в коем случае не опускайте инструмент, съемный аккумулятор и зарядное устройство в жидкость и не допускайте проникновения жидкости внутрь этих устройств.

Не режьте такие заготовки небольшой длины, при работе с которыми пальцы могут оказаться близко к режущим штампам. Штампы острые!

Заготовка не должна подвергаться механическим воздействиям.

Для снижения риска взрывов, поражения электрическим током и порчи имущества и оборудования не осуществляйте разрезание объектов под напряжением.

Инструмент НЕ изолирован. Контакт с цепью под напряжением может привести к тяжелому ранению или смерти.

Лезвия на штампах острые. Держите руки на безопасном расстоянии от режущих кромок и движущихся деталей. Избегайте разрезания коротких кусков материала, чтобы не приближать руки к лезвиям. Возможны глубокие порезы или отрывание конечностей.

ВНИМАНИЕ Пыль, которая возникает при шлифовании, пилении, сверлении и других строительных работах, может содержать химические вещества, вызывающие онкологические заболевания, пороки развития или нарушения репродуктивной системы. Некоторые примеры таких химических веществ указаны ниже.

•Свинец из красок, содержащих свинец

- Кристаллический диоксид кремния из кирпичей, цемента и других материалов для кладки стен
- Мышьяк и хром из химически обработанных пиломатериалов

Риск поражения этими химикатами зависит от частоты выполнения подобных работ. Для уменьшения риска поражения этими химикатами работайте в хорошо вентилируемых помещениях и используйте одобренное защитное оборудование, например респираторы, которые специально предназначены для фильтрации микроскопических частиц.

ВНИМАНИЕ! Для предотвращения опасности пожара в результате короткого замыкания, травм и повреждения изделия не опускайте инструмент, сменный аккумулятор или зарядное устройство в жидкости и не допускайте попадания жидкостей внутрь устройств или аккумуляторов. Коррозионные и проводящие жидкости, такие как соленый раствор, определенные химикаты, отбеливающие средства или содержащие их продукты, могут привести к короткому замыканию.

Для зарядки аккумуляторов модели M18 используйте только зарядным устройством M18. Не заряжайте аккумуляторы других систем.

Никогда не вскрывайте аккумуляторы или зарядные устройства и храните их только в сухих помещениях. Следите, чтобы они всегда были сухими.

ИСПОЛЬЗОВАНИЕ

Этот сверхмощный инструмент для разрезания резьбовых стержней предназначен для профессионального использования.

ВНИМАНИЕ: Во избежание травмирования разрежьте только те материалы, которые рекомендованы для резки штампами (см. раздел «Спецификации»). Не пытайтесь резать другие материалы.

Этот инструмент разрезает резьбовые стрежни чисто и без зазубрин, что позволяет навинчивать гайки вручную без дополнительной обработки поверхности. Качество заготовок, загрязнения и шероховатости могут влиять на способность ручного навинчивания гаек.

ПРИМЕЧАНИЕ: Используйте этот инструмент для разрезания указанных ниже материалов и размеров. Работа с другими размерами или материалами приведет к повреждению инструмента и заготовки.

НЕ используйте и НЕ эксплуатируйте инструмент во влажной среде или в присутствии воспламеняемых жидкостей и газов.

НЕ используйте его для разрезания закаленных болтов, резьбовых стержней других размеров или арматуры.

ПРИМЕЧАНИЕ: Инструмент для резки стержней сконструирован таким образом, чтобы обеспечить навинчивание гайки на стержень вручную. Качество резьбы, тип обработки поверхности (например, гальваническое или электролитическое покрытие), загрязнения или шероховатости могут влиять на возможность свободного ручного навинчивания гаек на отрезанный стержень.

ВНИМАНИЕ: Если необходимо открыть штамп до завершения цикла, ни в коем случае не отпускайте главную ручку. Другой рукой нажмите и удерживайте кнопку обратного хода, пока не загорится индикаторная лампа. Положите руку обратно на заготовку и надежно удерживайте ее. Затем нажмите кнопку запуска и дождитесь автоматической остановки инструмента для открытия штампов.



ИСПОЛЬЗОВАНИЕ

При использовании устройства обязательно пользуйтесь защитными очками.

Режущие штампы острые. Держите руки на безопасном расстоянии от режущих кромок и движущихся деталей. Избегайте разрезания коротких кусков материала, чтобы не приближать руки к режущим штампам. Возможны глубокие порезы или отрывание конечностей.

Если вы держите инструмент над головой, убедитесь в том, что ОБА конца стержня зафиксированы во избежание падения частей заготовки после завершения разрезания.

Разрезание

- Перед использованием убедитесь в том, что режущие штампы настроены в соответствии с размером стержня.
- Убедитесь в том, что шестигранные болты надежно затянуты.
- Для продления срока службы режущих штампов разрежьте чистый материал.
- Перед началом разрезания удалите с материала и режущих штампов загрязнения и посторонние частицы.
- Используйте режущие штампы только на том материале, для которого они предназначены. Другие материалы могут повредить режущий штамп и инструмент.
- Вставьте аккумуляторную батарею.
- Для продления срока службы штампов резбовой стержень должен полностью и надлежащим образом контактировать со штампами во время разрезания. Для точного выполнения работы всегда фиксируйте заготовку перед разрезанием.
- Не выполняйте разрезание под углом. Это приведет к повреждению режущих штампов и заготовки. Начиная разрезание, крепко и безопасно держите материал так, чтобы он контактировал с режущим штампом.
- Для запуска в обратном направлении нажмите кнопку обратного хода. Индикатор кнопки загорится. Для переключения на обратное направление нажмите и удерживайте кнопку запуска.
ПРИМЕЧАНИЕ: Инструмент можно переключить на обратный ход только в том случае, если тиски НЕ открыты полностью.

Кнопка обратного хода

Если вам необходимо открыть резаки, не завершая цикл разрезания, выполните указанные ниже действия.

1. Отпустите кнопку запуска.
2. Нажмите кнопку обратного хода. Индикатор кнопки ЗАГОРИТСЯ.
3. Нажмите кнопку запуска и крепко держите инструмент, пока резаки не откроются полностью. ПРИМЕЧАНИЕ: Инструмент можно переключить на обратный ход только в том случае, если тиски НЕ открыты полностью.

Заклинивание режущих штампов

Загрязнения и посторонние частицы могут привести к заклиниванию режущих штампов после разрезания. Если инструмент выключается, а резаки еще закрыты, выполните указанные ниже действия.

1. Нажмите кнопку обратного хода, нажмите и удерживайте кнопку запуска, пока резаки не откроются полностью. Если это не помогает, выполните указанные ниже действия.
2. Извлеките аккумуляторную батарею
3. Извлеките, очистите и установите режущие штампы обратно в соответствии с разделом «Извлечение/замена режущих штампов».

ОБСЛУЖИВАНИЕ

Выньте аккумулятор из машины перед проведением с ней каких-либо манипуляций.

Ни в коем случае не вскрывайте инструмент для разрезания резбовых стержней, аккумуляторную батарею или зарядное устройство. Проверьте инструмент для разрезания резбовых стержней на наличие каких-либо проблем, таких как шумы или заклинивание движущихся деталей, которые могут влиять на работу инструмента.

Проверьте режущие инструменты на наличие трещин или других признаков износа.

Очищайте отверстия от пыли и грязи. Ручка должна быть чистой и сухой, без масла или смазки. Для очищения используйте только мягкий мыльный раствор и мягкую ткань, поскольку некоторые чистящие средства и растворители могут повредить пластиковые и другие изолированные детали. Среди прочего, к ним относятся бензин, скипидар, растворитель для лака, растворитель для краски, хлорсодержащие чистящие средства, аммиак и бытовые чистящие средства, содержащие аммиак. Ни в коем случае не используйте воспламеняющиеся или взрывоопасные растворители вблизи инструментов.

Проверяйте остроту режущих инструментов и заменяйте изношенные режущие инструменты.

Заменяйте режущие инструменты, если они имеют зазубрины или повреждения. Всегда заменяйте режущие инструменты полным комплектом. Используйте только лезвия MILWAUKEE.

Во избежание ранения и порчи имущества ни в коем случае не опускайте инструмент, съемный аккумулятор и зарядное устройство в жидкость и не допускайте проникновения жидкости внутрь этих устройств.

Всегда держите охлаждающие отверстия чистыми.

Дальнейшие сервисные и ремонтные работы должны выполняться только в авторизованных специализированных ремонтных мастерских.

Пользуйтесь аксессуарами и запасными частями Milwaukee. В случае возникновения необходимости в замене, которая не была описана, обращайтесь в один из сервисных центров по обслуживанию электроинструментов Milwaukee (см. список сервисных организаций).

При необходимости может быть заказан чертеж инструмента с трехмерным изображением деталей. Пожалуйста, укажите номер и тип инструмента и закажите чертеж у Ваших местных агентов или непосредственно у Techtronic Industries GmbH, Max-Eyth-Straße 10, 71364 Winnenden, Germany.



РУС

АККУМУЛЯТОР

Температура свыше 50°C снижает работоспособность аккумуляторов. Избегайте продолжительного нагрева или прямого солнечного света (риск перегрева).

Контакты зарядного устройства и аккумуляторов должны содержаться в чистоте.

Для обеспечения оптимального срока службы аккумуляторов необходимо полностью заряжать после использования прибора. Перед использованием аккумулятора, которым не пользовались некоторое время, его необходимо зарядить.

Для достижения максимально возможного срока службы аккумуляторы после зарядки следует вынимать из зарядного устройства.

При хранении аккумулятора более 30 дней: Храните аккумулятор при 27°C в сухом месте., Храните аккумулятор с зарядом примерно 30% - 50%., Каждые 6 месяцев аккумулятор следует заряжать.

Не выбрасывайте использованные аккумуляторы вместе с домашним мусором и не сжигайте их. Дистрибьюторы компании Milwaukee предлагают восстановление старых аккумуляторов, чтобы защитить окружающую среду.

Не храните аккумуляторы вместе с металлическими предметами во избежание короткого замыкания.

Аккумуляторная батарея может быть повреждена и дать течь под воздействием чрезмерных температур или повышенной нагрузки. В случае контакта с аккумуляторной кислотой немедленно промойте место контакта мылом и водой. В случае попадания кислоты в глаза промойте глаза в течении 10 минут и немедленно обратитесь за медицинской помощью.

Не допускается попадания каких-либо металлических предметов в аккумуляторный отсек зарядного устройства во избежание короткого замыкания.

ТРАНСПОРТИРОВКА ЛИТИЙ-ИОННЫХ АККУМУЛЯТОРОВ

Литий-ионные аккумуляторы в соответствии с предписаниями закона транспортируются как опасные грузы.

Транспортировка этих аккумуляторов должна осуществляться с соблюдением местных, национальных и международных предписаний и положений.

Эти аккумуляторы могут перевозиться по улице потребителем без дальнейших обязательств.

При коммерческой транспортировке литий-ионных аккумуляторов экспедиторскими компаниями действуют положения, касающиеся транспортировки опасных грузов. Подготовка к отправке и транспортировка должны производиться исключительно специально обученными лицами. Весь процесс должен находиться под контролем специалиста.

При транспортировке аккумуляторов необходимо соблюдать следующие пункты:

Убедитесь, что контакты защищены и изолированы во избежание короткого замыкания. Следите за тем, чтобы аккумуляторный блок не соскользнул внутри упаковки.

Транспортировка поврежденных или протекающих аккумуляторов запрещена. За дополнительными указаниями обратитесь к своему экспедитору.

ДЕКЛАРАЦИЯ О СООТВЕТСТВИИ СТАНДАРТАМ ЕС

Мы несем исключительную ответственность за то, что изделие, описанное в разделе «Техническая информация» соответствует всем применимым положениям директив

2011/65/EU (RoHS)

2006/42/EC

2014/30/EU

а также следующим согласованным стандартам

EN 62841-1:2015

EN 55014-1:2017+A11:2020

EN 55014-2:2015

EN IEC 63000:2018



Winnenden, 2020-11-09

Alexander Krug / Managing Director

Уполномочен на составление технической документации.

Techtronic Industries GmbH

Max-Eyth-Straße 10, 71364 Winnenden, Germany



СИМВОЛЫ



Пожалуйста, внимательно прочтите инструкцию по использованию перед началом любых операций с инструментом.



При работе с инструментом всегда надевайте защитные очки.



Тянущее усилие



ВНИМАНИЕ! ПРЕДУПРЕЖДЕНИЕ! ОПАСНОСТЬ!



Выньте аккумулятор из машины перед проведением с ней каких-либо манипуляций.



Держите руки вдали от режущего инструмента и других движущихся частей. Следствием попадания пальцев внутрь режущего механизма может оказаться их отрезание или травмирование.



Принадлежности - В стандартную комплектацию не входит, поставляется в качестве дополнительной принадлежности.



Электроприборы, батареи/аккумуляторы запрещено утилизировать вместе с бытовым мусором. Электрические приборы и аккумуляторы следует собирать отдельно и сдавать в специализированную компанию для утилизации в соответствии с нормами охраны окружающей среды. Получите в местных органах власти или у вашего специализированного дилера сведения о центрах вторичной переработки и пунктах сбора.

V Напряжение

— — — Постоянный ток



Европейский знак соответствия



Британский знак соответствия



Украинский знак соответствия



Евразийский знак соответствия



ТЕХНИЧЕСКИ ДАННИ	M18 BLTRC
Машина за рязане на шпилки	
Производствен номер	4775 24 02... ... 000001-999999
Напрежение на акумулатора	18 V
Диапазон на рязане Стомана	M 6 x 1 M 8 x 1,25 M 10 x 1,5 M 12 x 1,75
Диапазон на рязане Нерждаема стомана	M 6 x 1 M 8 x 1,25 M 10 x 1,5
Тегло съгласно процедурата ЕРТА 01/2014 (Li-Ion 2,0 Ah...12,0 Ah)	3,9 kg...5,0 kg
Препоръчителна температура на околната среда при експлоатация	-18°C ... +50°C
Препоръчителни акумулаторни батерии	M18B... M18HB...
Препоръчителни зарядни устройства	M12-18...
Информация за шума	
Измерените стойности са получени съобразно EN 62841. Оценено с А ниво на шума на уреда е съответно:	
Равнище на звуковото налягане (Несигурност K=3dB(A))	75,27 dB (A)
Равнище на мощността на звука (Несигурност K=3dB(A))	86,27 dB (A)
Да се носи предпазно средство за слуха!	
Информация за вибрациите	
Общите стойности на вибрациите (векторна сума на три посоки) са определени в съответствие с EN 62841.	
Стойност на емисии на вибрациите a _h	0,48 m/s ²
Несигурност K=	1,5 m/s ²

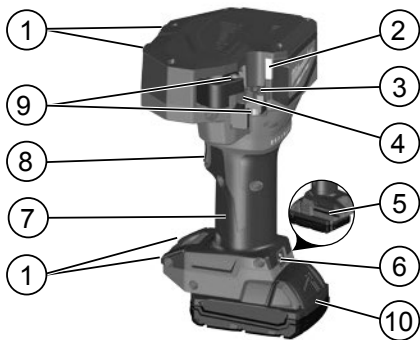
ВНИМАНИЕ!

Посоченото в тези инструкции ниво на вибрациите е измерено в съответствие със стандартизиран в EN 62841 измервателен метод и може да се използва за сравнение на електрически инструменти помежду им. Подходящ е и за временна оценка на вибрационното натоварване.

Посоченото ниво на вибрациите представя основните приложения на електрическия инструмент. Ако обаче електрическият инструмент се използва с друго предназначение, с различни сменяеми инструменти или при недостатъчна техническа поддръжка, нивото на вибрациите може да е различно. Това чувствително може да увеличи вибрационното натоварване по време на целия работен цикъл.

За точната оценка на вибрационното натоварване трябва да се вземат предвид и периодите от време, в които уредът е изключен или работи, но в действителност не се използва. Това чувствително може да намали вибрационното натоварване по време на целия работен цикъл.

Определете допълнителни мерки по техника на безопасност в защита на обслужващия работник от въздействието на вибрациите като например: техническа поддръжка на електрическия инструмент и сменяемите инструменти, поддръжане на ръцете топли, организация на работния цикъл.



Описание на устройството

- | | | | | | | | | | | |
|-------------------------|-------------|------------------------|----------------------|------------------------------------|----------------|--------------|-----------------------------------|----------|-----------------------|------------------------|
| ① Опора за работна маса | ② Светодиод | ③ Неподвижна полуформа | ④ Подвижна полуформа | ⑤ Ключ за шестостенна гайка (5 mm) | ⑥ Освобождаващ | ⑦ Ръкохватка | ⑧ Изолирана повърхност за хващане | ⑨ Спусък | ⑩ Шестостенни болтове | ⑪ Акумулаторна батерия |
|-------------------------|-------------|------------------------|----------------------|------------------------------------|----------------|--------------|-----------------------------------|----------|-----------------------|------------------------|



ВНИМАНИЕ Прочетете всички указания за безопасност, инструкции, изображенията и техническите данни, които получавате с уреда. Ако не спазвате следните указания, това може да доведе до токов удар, пожар и/или тежки наранявания.

Запазете всички указания и инструкции за безопасност за бъдещето.



СПЕЦИАЛНИ УКАЗАНИЯ ЗА БЕЗОПАСНОСТ

Операторът на този уред трябва да бъде инструктиран относно специфичните опасности, свързани с използването на уреда и относно съществените мерки за безопасност, преди да започне работа с нея за първи път и поне веднъж в годината след това.

Фирмата изпълнител следва да:

- осигури на оператора достъп до ръководството за експлоатация и
- да се увери, че операторът го е прочел и разбрал.

Поддържайте надписите и фабричните табелки в изрядно състояние. Те съдържат важна информация. Ако са нечетливи или липсват, те трябва да бъдат подменени.

Винаги проявявайте здрав разум и бъдете внимателни, когато използвате инструменти. Невъзможно е да се предвиди всяка ситуация, която може да доведе до опасни последствия. Не използвайте този инструмент, ако не разбирате настоящите указания за експлоатация или Ви се струва, че задачата е отвъд Вашите способности; свържете се с „Инструменти Milwaukee“ или обучен професионалист за допълнителна информация и обучение.

Не работете върху детайли под ел. напрежение. Уредът НЕ е изолиран.



БЪЛ

Дръжте ръцете си и широки дрехи далече от режещи инструменти и други движещи се части. Съществува риск от сериозно нараняване, включително отрязване на крайниците.

Използвайте защитна екипировка. При работа с машината винаги носете предпазни очила. Препоръчват се защитно облекло и прахозащитна маска, защитни ръкавици, здрави и нехлъзгащи се обувки, каска и предпазни средства за слуха.

За да намалите риска от нараняване, докато работите с инструмент или го обслужвате, носете защитни очила или очила със странични предпазители. Възможно е материалът да се напука или разтроши.

За да избегнете наранявания и щети, не допускайте случайното стартиране на уреда.

Никога не хващайте уреда близо до челюстите и шанцата за рязане.

Преди използване, винаги проверявайте шанцата и челюстите за пукнатини и други признаци на износване.

Използвайте машината за рязане на шпилки, батерията и зарядното устройство само ако са в перфектно техническо състояние.

Отстранете повредите незабавно в оторизиран специализиран сервиз.

Преди започване на каквито е да е работи по машината извадете акумулатора.

Не използвайте инструмента, без да е монтирана шанца.

Смачкване на пръстите е възможно както с монтирана шанца, така и без.

Отстранете всички инструменти и ключове за настройка, преди да извършите сръзването.

За да избегнете нараняване и повреда, никога не потапяйте инструмента, сменяемата батерия или зарядното в течност и не позволявайте проникването на течност в тях.

Не режете къси работни детайли, при които е възможно пръстите да попаднат в близост до шанцата за рязане. Шанцата е остра!

Работният детайл да не се излага на въздействието на механични сили.

За да намалите риска от експлозия, токов удар и увреждане на помещения и оборудване, никога не използвайте върху кабели под ел. напрежение.

Инструментът НЕ е изолиран. Контактът с ел. верига под напрежение може да причини сериозни наранявания или смърт.

Ножовете на шанцата са остри. Дръжте ръцете си далече от режещите ръбове и движещите се части. Избягвайте да режете къси парчета материал, които Ви принуждават да поставяте ръцете си близо до остриетата. В противен случай може да се стигне до разкъсване и ампутация.

ВНИМАНИЕ Някои видове прах, отделящи се при използването на електрически инструменти за шкурене, рязане, шлифоване и други строителни дейности, съдържат химикали, за които е известно, че причиняват рак, вродени дефекти и други възпроизводствени проблеми. Примерите за такива химикали включват:

- олово от бои на оловна основа,
- кварцов прах от тухли, цимент и други зидарски продукти, както и
- арсеник и хром от обработен с химикали дървен материал.

Рискът за Вас от излагане на въздействието на тези химикали варира в зависимост от честотата на вършене на такъв тип работа. За да намалите излагането си на въздействието на тези химикали, работете на добре проветрени места, използвайте одобрени средства за защита, като например маски за прах, които са специално проектирани да филтрират микроскопични частици.

ВНИМАНИЕ! За да избегнете опасността от пожар, предизвикана от късо съединение, както и нараняванията и повредите на продукта, не потапяйте инструмента, сменяемата акумулаторна батерия или зарядното устройство в течности и се погрижете в уредите и акумулаторните батерии да не попадат течности. Течностите, предизвикващи корозия или превеждащи електричество, като солена вода, определени химикали, избелващи вещества или продукти, съдържащи избелващи вещества, могат да предизвикат късо съединение.

Акумулатори от системата M18 да се зареждат само със зарядни устройства от системата M18 laden. Да не се зареждат акумулатори от други системи.

Не отваряйте акумулатори и зарядни устройства и ги съхранявайте само в сухи помещения. Пазете ги от влага.

ИЗПОЛЗВАНЕ ПО ПРЕДНАЗНАЧЕНИЕ

Тази върхоушна машина за рязане на шпилки е проектирана за професионално приложение.

ВНИМАНИЕ: За да намалите риска от нараняване, режете единствено подходящи за шанцата материали (вж. „Спецификации“). Не опитвайте да режете други материали.

Този инструмент прерязва шпилката чисто и без „мустаци“, което позволява завинтването на гайките на ръка, без да е необходимо допълнително полиране. Качеството на работния детайл, замърсяванията и наслагванията по него могат да повлияят на възможността за ръчно завинтване на гайки.

ЗАБЕЛЕЖКА: Използвайте този инструмент за рязане на изброените по-долу размери и материали. Други размери или материали ще доведат до повреда на инструмента и на работния детайл.

НЕ използвайте във влажна среда или при наличието на запалителни течности или газове.

НЕ използвайте за рязане на закалени болтове, шпилки с различен размер резба или армирани пръти.

ЗАБЕЛЕЖКА: Машината за рязане на шпилки е проектирана така, че гайката да може да се завива на отрязаното парче на ръка. Качеството на резбата, полировката на повърхността (напр. галванизирани или поцинковани), мръсотията и наслагванията могат да повлияят на възможността за плавното движение на гайката по резбата на отрязаното парче.

ВНИМАНИЕ: Ако режещите челюсти трябва да бъдат отворени, без цикълът да е бил завършен, никога не пускайте главната ръкохватка. Използвайте другата си ръка, за да натиснете и задържите бутона за обратен ход, докато индикаторът не светне. Поставете ръката си обратно върху работния детайл и го хванете здраво. След това натиснете и задържете главния пусков ключ, докато инструментът не спре автоматично, за да отвори шанцата.

ПРИЛОЖЕНИЕ

Винаги носете защитни очила при използване на уреда. Шанцата за рязане е остра. Дръжте ръцете си далече от режещите ръбове и движещите се части. Избягвайте да режете къси парчета материал, които ви принуждават да поставяте ръцете си близо до шанцата. В противен случай може да се стигне до разкъсване и ампутация.

При ползване над главата, уверете се, че и ДВАТА края на шпилката са здраво закрепени и няма да паднат, когато завършите среза.

Рязане

- Преди използване се уверете, че шанцата за рязане е настроена правилно спрямо размера на шпилката.
 - Уверете се, че шестстенните болтове са здраво затегнати.
 - За да удължите живота на ножа на шанцата за рязане, режете само почистен материал.
 - Почиствайте мръсотията и отломките от материала и от шанцата за рязане, преди да започнете да режете.
 - Използвайте шанцата за рязане единствено за материала, за който е предвидена. Други материали могат да повредят шанцата за рязане и инструмента.
 - Поставете батерията.
 - За да си гарантирате дълъг живот на шанцата, когато извършвате среза, тя трябва да е захапала шпилката както трябва. За да работите прецизно, винаги укрепвайте работния детайл, преди да извършите среза.
 - Не се опитвайте да режете под ъгъл. Това ще повреди шанцата за рязане и работния детайл. Когато започвате среза, шанцата трябва да е фиксирана стабилно, а вие дръжте материала здраво и неподвижно.
 - За да включите на обратен ход, натиснете бутона за обратен ход; индикаторът на бутона ще светне. Натиснете и задръжте пусковия ключ, за да включите на обратен ход.
- ЗАБЕЛЕЖКА:** Инструментът ще влезе в режим на обратен ход само ако челюстите НЕ са отворени докрай.

Бутон за обратен ход

Ако режещите челюсти трябва да бъдат отворени, без цикълът да е бил завършен:

1. Освободете пусковия ключ.
 2. Натиснете бутона за обратен ход. Индикаторът на бутона ще светне.
 3. Дръпнете пусковия ключ и дръжте инструмента здраво, докато режещите челюсти не се отворят докрай.
- ЗАБЕЛЕЖКА:** Инструментът ще влезе в режим на обратен ход само ако челюстите НЕ са отворени докрай.

Засичане на шанцата за рязане

Останалите след срязане мръсотия и отломки могат да предизвикат засичане на шанцата за рязане. Ако инструментът се изключи и режещите челюсти все още са затворени:

1. Натиснете бутона за обратен ход и дръпнете пусковия ключ, докато режещите челюсти не се отворят докрай. Ако това не помогне,
2. извадете батерията.
3. Извадете, почистете и монтирайте обратно шанцата за рязане, както е показано в „Изваждане и поставяне обратно на шанцата за рязане“.

ПОДДРЪЖКА

Преди започване на каквито е да е работи по машината извадете акумулатора.

Никога не отваряйте машината за рязане на шпилки, сменяемата батерия или зарядното устройство. Проверявайте машината за рязане на шпилки за проблеми, които могат да повлияят на работата на инструмента, като например шум или засичане на движещите се части.

Проверявайте резците за пукнатини и други признаци на износване.

Почиствайте отворите от прах и отломки. Дръжте ръкохватката чиста, суха и незацапана с масло или смазка. За почистване използвайте единствено мек сапун и парцал, тъй като някои почистващи вещества и разтворители увреждат пластмасата и други изолирани части. Някои от тези вещества са бензин, терпентин, разредител за лак, разредител за боя, разтвори за почистване на хлорна основа, амоняк и съдържащи амоняк домакински препарати. Никога не използвайте възпламеними или запалителни разтворители в близост до инструментите. Проверявайте дали резците са остри и подменяйте износените резци.

Подменяйте резците, когато се нащърбят или повредят. Винаги подменяйте всички резци едновременно. Използвайте единствено остриета MILWAUKEE.

За да избегнете нараняване и повреда, никога не потапяйте инструмента, сменяемата батерия или зарядното в течност и не позволявайте проникването на течност в тях.

Вентилационните шлицы на машината да се поддържат винаги чисти.

По-нататъшни дейности по обслужването и ремонтването на уреда могат да се извършват единствено в упълномощени специализирани работилници.

Да се използват само аксесоари на Milwaukee и резервни части на Milwaukee. Елементи, чията подмяна не е описана, да се дадат за подмяна в сервис на Milwaukee (вижте брошурата „Гаранция и адреси на сервиси“).

При необходимост можете да поискате за уреда от Вашия сервис или директно от Techtronic Industries GmbH, Max-Eyth-Straße 10, 71364 Winnenden, Germany, чертеж за в случай на експлозия, като посочите типа на машината и номер върху заводската табелка.

АКУМУЛАТОРИ

Температура над 50°C намалява мощността на акумулатора. Да се избягва по-продължително нагряване на слънце или от отопление.

Поддържайте чисти присъединителните контакти на зарядното устройство и на акумулатора.

За оптимална продължителност на живот след употреба батериите трябва да се заредят напълно. Акумулатори, които не са ползвани по-дълго време, преди употреба да се дозаредят.

За възможно по-дълга продължителност на живот батериите трябва да се изваждат от уреда след зареждане.

При съхранение на батериите за повече от 30 дни, съхранявайте батерията при прибл. 27°C и на сухо място. Съхранявайте батерията при 30 до 50 % от заряда. Зареждайте батерията на всеки 6 месеца.



БЪЛ

Не изхвърляйте изхабените акумулатори в огъня или в при битовите отпадъци. Milwaukee предлага екологосъобразно събиране на старите акумулатори; моля попитайте Вашия специализиран търговец.

Не съхранявайте акумулаторите заедно с метални предмети (опасност от късо съединение).

При екстремно натоварване или екстремна температура от повредени акумулатори може да изтече батерийна течност. При допир с такава течност веднага измийте с вода и сапун. При контакт с очите веднага изплаквайте старателно най-малко 10 минути и незабавно потърсете лекар.

В гнездото за акумулатори на зарядните устройства не бива да попадат метални части (опасност от късо съединение).

ПРЕВОЗ НА ЛИТИЕВО-ЙОННИ БАТЕРИИ

Литиево-йонните батерии са предмет на законовите разпоредби за превоз на опасни товари.

Превозът на тези батерии трябва да се извършва в съответствие с местните, националните и международните разпоредби и регламенти.

Потребителите могат да превозват тези батерии по пътя без допълнителни изисквания.

Превозът на литиево-йонни батерии от транспортни компании е предмет на законовите разпоредбите за превоз на опасни товари. Подготовката на превоза и самият превоз трябва да се извършват само от обучени лица. Целият процес трябва да е под професионален надзор.

Спазвайте следните изисквания при превоз на батерии:

Уверете се, че контактите са защитени и изолирани, за да се избегне късо съединение. Уверете се, че няма опасност от разместване на батерията в опаковката. Не превозвайте повредени батерии или такива с течове. Обърнете се към Вашата транспортна компания за допълнителни инструкции.

СЕ - ДЕКЛАРАЦИЯ ЗА СЪОТВЕТСТВИЕ

Ние декларираме, изцяло на наша отговорност, че продуктът, описан в „Технически данни“, съответства на всички необходими изисквания на директивите

2011/65/EU (RoHS)

2006/42/EC

2014/30/EU

и че са използвани следните хармонизирани стандарти

EN 62841-1:2015

EN 55014-1:2017+A11:2020

EN 55014-2:2015

EN IEC 63000:2018



Winnenden, 2020-11-09

Alexander Krug / Managing Director

Упълномощен за съставяне на техническата документация

Techtronic Industries GmbH

Max-Eyth-Straße 10, 71364 Winnenden, Germany

СИМВОЛИ



Преди пускане на уреда в действие моля прочетете внимателно инструкцията за използване.



При работа с машината винаги носете предпазни очила.



Теглителна сила



ВНИМАНИЕ! ПРЕДУПРЕЖДЕНИЕ! ОПАСНОСТ



Преди започване на каквито и да е работи по машината извадете акумулатора.



Дръжте ръцете си далече от режещия инструмент и други движещи се части. Пръстите Ви могат да попаднат в режещия механизъм и да бъдат откъснати или наранени.



Акcesoари - Не се съдържат в обема на доставката, препоръчвано допълнение от програмата за акcesoари.



Електрическите уреди, батерии/акумулаторни батерии не трябва да се изхвърлят заедно с битовите отпадъци. Електрическите уреди и акумулаторни батерии трябва да се събират отделно и да се предават на службите за рециклиране на отпадъците според изискванията за опазване на околната среда. Информирайте се при местните служби или при местните специализирани търговци относно местата за събиране и центровете за рециклиране на отпадъци.

V

Напрежение



Постоянен ток



Европейски знак за съответствие



Британски знак за съответствие



Украински знак за съответствие



Евро-азиатски знак за съответствие

DATE TEHNICE	M18 BLTRC
Mașină de retezat bare filetate	
Număr producție	4775 24 02... ... 000001-999999
Tensiune acumulator	18 V
Zona de tăiere Oțel	M 6 x 1 M 8 x 1,25 M 10 x 1,5 M 12 x 1,75
Zona de tăiere Oțel	M 6 x 1 M 8 x 1,25 M 10 x 1,5
Greutatea conform „EPTA procedure 01/2014” (Li-Ion 2,0 Ah...12,0 Ah)	3,9 kg...5,0 kg
Temperatură ambientală recomandată pentru funcționare	-18°C ... +50°C
Seturi de baterii recomandate	M18B... M18HB...
Încărcător de baterii recomandat	M12-18...
Informație privind zgomotul	
Valori măsurate determinate conform EN 62841. Nivelul de zgomot evaluat cu A al aparatului este tipic de:	
Nivelul presiunii sonore (Nesiguranță K=3dB(A))	75,27 dB (A)
Nivelul sunetului (Nesiguranță K=3dB(A))	86,27 dB (A)
Purtați căști de protecție	
Informații privind vibrațiile	
Valorile totale de oscilație (suma vectorială pe trei direcții) determinate conform normei EN 62841.	
Valoarea emisiei de oscilații a_h	0,48 m/s ²
Nesiguranță K=	1,5 m/s ²

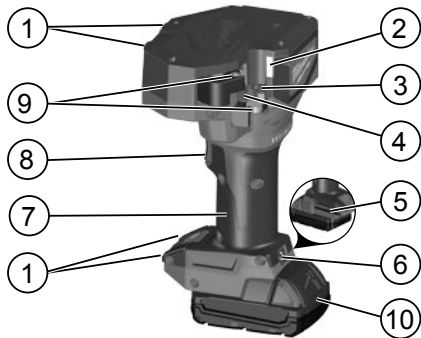
AVERTISMENT!

Gradul de oscilație indicat în prezentele instrucțiuni a fost măsurat în conformitate cu o procedură de măsurare normată prin norma EN 62841 și poate fi folosit pentru a compara unelte electrice între ele. El se pretează și pentru o evaluare provizorie a solicitării la oscilații.

Gradul de oscilație indicat reprezintă aplicațiile principale ale uneltelor electrice. În cazul în care însă uneltele electrice au fost folosite pentru alte aplicații, ori au fost folosite unelte de muncă diferite ori acestea nu au fost supuse unei suficiente inspecții de întreținere, gradul de oscilație poate fi diferit.

Acest fapt poate duce la o creștere netă a solicitărilor la oscilații dealungul întregii perioade de lucru. În scopul unei evaluări exacte a solicitării la oscilații, urmează să fie luate în considerație și perioadele de timp în care aparatul a fost oprit ori funcționează dar, în realitate, el nu este folosit în mod practic. Acest fapt poate duce la o reducere netă a solicitărilor la oscilații dealungul întregii perioade de lucru.

Stabilități măsurii de siguranță suplimentare în scopul protecției utilizatorului de efectele oscilațiilor, de exemplu: inspecție de întreținere a uneltelor electrice și a celor de muncă, păstrarea caldă a mâinilor, organizarea proceselor de muncă.



Descrierea dispozitivului

- | | |
|--------------------------------|---|
| ① Suporturi pentru blat | ⑦ Mâner Suprafață de prindere izolată |
| ② LED | ⑧ Declanșator |
| ③ Ștanță fixă | ⑨ Șuruburi cu cap înecat și locaș hexagonal |
| ④ Ștanță mobilă | ⑩ Acumulator |
| ⑤ Cheie fixă hexagonală (5 mm) | |
| ⑥ Declanșator de eliberare | |

⚠ AVERTISMENT Citiți toate instrucțiunile de securitate, recomandările, reprezentările grafice și datele pe care le primiți livrate împreună cu aparatul. În cazul în care nu veți respecta următoarele instrucțiuni, se poate ajunge la electrocutare, incendii și/sau răniiri grave.

Păstrați toate indicațiile de avertizare și instrucțiunile în vederea utilizărilor viitoare.

⚠ INSTRUCȚIUNI DE SECURITATE

Operatorul acestui dispozitiv trebuie să fie instruit cu privire la pericolele specifice asociate utilizării acestui dispozitiv și cu privire la măsurile de siguranță esențiale, înainte de a lucra cu acesta pentru prima oară și apoi cel puțin anual.

Firma de exploatare trebuie:

- să pună la dispoziția operatorului manualul de exploatare și
 - și să se asigure că operatorul a citit și a înțeles conținutul acestuia.
- Păstrați corespunzător etichetele și plăcuțele tipului. Acestea conțin informații importante. Dacă devin ilizibile sau dacă lipsesc, acestea trebuie înlocuite.

Bazați-vă întotdeauna pe simțul practic și fiiți precauți la utilizarea dispozitivelor. Nu este posibilă anticiparea fiecărei situații care poate avea un rezultat periculos. Nu utilizați acest dispozitiv dacă nu înțelegeți aceste instrucțiuni de operare sau dacă simțiți că lucrarea vă depășește aptitudinea; contactați Milwaukee Tool sau un profesionist instruit pentru informații suplimentare sau instruire.

Nu lucrați asupra componentelor electrice aflate sub tensiune.

Dispozitivul NU este izolat.

Țineți mâinile și îmbrăcămintea largă departe de piesele de tăiat sau de alte componente mobile. Există riscul unor răniiri severe, incluzând amputarea membrilor.

Utilizați echipament de protecție. Purtați întotdeauna ochelari de protecție când utilizați mașina. Se recomandă utilizarea hainelor de protecție ca de ex. Măști contra prafului, mănuși de protecție, încălțăminte stabilă nealunecoasă, cască și apărătoare de urechi.



Ro

Română

Pentru a reduce riscul rănirilor, purtați ochelari de siguranță închiși sau ochelari cu protecții laterale atunci când operați sau întrețineți dispozitivul. Este posibil ca materialul să se crape sau să se spargă.

Pentru a evita rănirile și pagubele, preveniți pornirea accidentală a dispozitivului.

Nu țineți niciodată dispozitivul de zona fălcilor și a ștanțelor de tăiere.

Înainte de utilizare, verificați întotdeauna ștanțele și fălcile cu privire la crăpături sau alte semne de uzură.

Utilizați mașina de retezat bare filetate, blocul bateriei și încărcătorul numai dacă sunt în stare tehnică perfectă.

Deteriorările trebuie reparate imediat de către un atelier autorizat.

Îndepărtați acumulatorul înainte de începerea lucrului pe mașina

Nu utilizați dispozitivul fără ștanțele instalate. Degetele pot fi zdrobite cu sau fără ștanțele montate.

Înainte de efectuarea tăierii, îndepărtați toate uneltele de reglare și cheile de piulițe fixe.

Pentru a evita rănirile și deteriorările, nu scufundați niciodată în lichide uneltele, bateria detașabilă sau încărcătorul și nu permiteți niciodată pătrunderea lichidelor în acestea.

Nu tăiați lungimi scurte de piese de prelucrat în cazul în care degetele pot să ajungă în proximitatea ștanțelor de tăiere. Ștanțele sunt ascuțite!

Nu se permite expunerea piesei de prelucrat la nicio forță mecanică.

Pentru a reduce riscul de explozii, electrocutare, daune materiale și deteriorarea echipamentului, nu tăiați niciodată componente electrice aflate sub tensiune.

Dispozitivul NU este izolat. Contactul cu un circuit aflat sub tensiune poate avea drept rezultat răniri grave sau deces.

Lamele ștanțelor sunt ascuțite. Feriți-vă mâinile de muchiile tăioase și de piesele mobile. Evitați tăierea pieselor scurte de material din cauza cărora trebuie să vă așezați mâinile în apropierea lamelor. Pot fi cauzate sfășieri sau amputări.

AVERTISMENT Unele pulberi generate prin abraziune, tăiere, șlefuire, găurire și alte activități de construcție conțin substanțe chimice cunoscute ca provocând cancer, defecte congenitale sau alte daune asupra reproducției. Câteva exemple de astfel de substanțe chimice sunt:

- plumbul din vopseaua pe bază de plumb
- cristalele de siliciu din cărămizi și ciment și din alte produse din zădărie și
- arsenicul și cromul din cheresteaua tratată chimic.

Riscul cauzat asupra dvs. de aceste expuneri variază în funcție de cât de des faceți acest tip de activitate. Pentru a vă reduce expunerea la aceste substanțe chimice: lucrați într-o zonă bine ventilată și lucrați cu echipamente de siguranță aprobate, cum ar fi măștile de praf special concepute pentru a filtra particulele microscopice.

AVERTISMENT! Pentru a reduce pericolul unui incendiu și evitarea rănirilor sau deteriorarea produsului în urma unui scurtcircuit nu imersați scula, acumulatorul de schimb sau încărcătorul în lichide și asigurați-vă să nu pătrundă lichide în aparate și acumulatori. Lichidele corosive sau cu conductibilitate, precum apa sărată, anumite substanțe chimice și înalbitori sau produse ce conțin înalbitori, pot provoca un scurtcircuit.

Folosiți numai încărcătoare System M18 pentru încărcarea acumulatorilor System M18. Nu folosiți acumulatori din alte sisteme.

Nu deschideți niciodată acumulatorii și încărcătoarele și pastrați-le numai în încăperi uscate. Pastrați-le întotdeauna uscate.

CONDIȚII DE UTILIZARE SPECIFICATE

Această mașină de retezat bare filetate pentru șarjări grele este concepută pentru aplicații profesionale.

AVERTISMENT: Pentru a reduce riscul de răniri, tăiați numai materialele recomandate pentru ștanțele de tăiere (vezi „Specificații”). Nu încercați să tăiați alte materiale.

Acest dispozitiv va tăia curat și fără bavuri barele filetate, permițând înfiletarea cu mâna a piulițelor fără necesitatea finisării suplimentare. Calitatea piesei de prelucrat, murdăria și depunerile ar putea afecta capacitatea de a înfiletate cu mâna piulițele.

NOTĂ: Utilizați acest dispozitiv pentru tăierea dimensiunilor și materialelor menționate mai jos. Alte dimensiuni sau materiale vor deteriora dispozitivul și piesa de prelucrat.

NU operați și nu utilizați dispozitivul în condiții de umezeală sau în prezența lichidelor sau gazelor inflamabile.

NU utilizați dispozitivul pentru tăierea șuruburilor călitate, a fileturilor de dimensiuni diferite sau a barelor de armare.

NOTĂ: Mașina de tăiat bare a fost concepută astfel încât piulița să se înfiletate cu mâna pe bata tăiată. Calitatea filetului, finisajul suprafeței (de ex., galvanizată sau placată), murdăria și depunerile pot afecta capacitatea piuliței de a se înfiletate liber pe bara tăiată.

AVERTISMENT: Dacă este necesară deschiderea ștanței fără finalizarea ciclului, nu eliberați niciodată mânerul principal. Folosiți cealaltă mână pentru a apăsa butonul de retur până când se aprinde lampa indicatoare. Puneți din nou mâna pe piesa de prelucrat și țineți-o bine. Apoi apăsați butonul de revers până când dispozitivul se oprește automat, pentru a deschide ștanțele.

UTILIZARE

Purtați întotdeauna ochelari compleți atunci când utilizați dispozitivul.

Tăișul ștanțelor este ascuțit. Feriți-vă mâinile de muchiile tăioase și de piesele mobile. Evitați tăierea pieselor scurte de material din cauza cărora trebuie să vă așezați mâinile în apropierea ștanțelor de tăiere. Pot fi cauzate sfășieri sau amputări.

În timpul utilizării deasupra capului, asigurați-vă că AMBELE capete ale barei sunt asigurate, pentru a evita căderea pieselor atunci când tăierea este finalizată.

Tăiere

- Înainte de utilizare, asigurați-vă că ștanțele de tăiere sunt alinate pentru dimensiunea corectă a barei.
- Asigurați-vă că șuruburile cu cap hexagonal sunt bine strânse.
- Tăiați materiale curate, pentru a extinde durata de viață a lamelor ștanțelor de tăiere.
- Înainte de începerea tăierii, curățați murdăria și reziduurile de pe material și de pe ștanțele de tăiere.
- Utilizați pe material doar ștanțele de tăiere pentru care acestea au fost concepute. Alte materiale ar putea deteriora ștanțele de tăiere și dispozitivul.
- Introduceți blocul bateriei.
- Pentru a asigura ciclul de viață corespunzător al ștanțelor, bara filetată trebuie să fie angajată complet în ștanțe în timpul tăierii. Pentru o lucrare precisă, asigurați întotdeauna piesa de prelucrat înainte de tăiere.
- Nu încercați să faceți tăieturi oblice. Aceasta va deteriora ștanțele de tăiere și piesa de prelucrat. Țineți ferm materialul și bine fixat față de ștanța de tăiere atunci când începeți tăierea.

- Pentru funcționarea în revers, apăsați butonul de revers; lampa butonului se va aprinde. Apăsați și mențineți apăsat declanșatorul pentru revers.
NOTĂ: Dispozitivul va intra în regimul de funcționare în revers numai dacă fâlcile NU sunt deschise complet.

Buton de revers

Dacă este necesară deschiderea fâlcilor de tăiere fără finalizarea ciclului de tăiere:

1. Eliberați declanșatorul.
2. Apăsați butonul de revers. Lampa butonului se va APRINDE.
3. Trageți declanșatorul și țineți bine dispozitivul până când fâlcile de tăiere sunt deschise complet. NOTĂ: Dispozitivul va intra în regimul de funcționare în revers numai dacă fâlcile NU sunt deschise complet.

Ștanțe de tăiere înclăștate

Murdăria și reziduurile pot cauza înclăștarea între ele a ștanțelor de tăiere după o tăiere. Dacă dispozitivul se oprește și fâlcile de tăiere sunt încă închise:

1. Apăsați butonul de revers și trageți declanșatorul până când fâlcile de tăiere sunt deschise complet. Dacă acestea nu funcționează,
2. Scoateți blocul bateriei
3. Scoateți, curățați și reinstalați ștanțele de tăiere în conformitate cu „Scoaterea/inlocuirea ștanțelor de tăiere”.

INTREȚINERE

Îndepărtați acumulatorul înainte de începerea lucrului pe mașina. Nu desfaceți niciodată mașina de retezat bare filetate, bateria detașabilă sau încărcătorul. Verificați ca mașina de retezat bare filetate să nu prezinte nicio problemă, cum ar fi zgomotul sau înclăștarea componentelor mobile, care ar putea afecta dispozitivul.

Verificați ca dispozitivele de tăiere să nu prezinte crăpături sau alte semne de uzură.

Curățați praful și reziduurile de pe deschideri. Păstrați mânerul curat, uscat și fără uleiuri sau grăsimi. Pentru curățare, utilizați numai săpun delicat și o cârpă umedă, deoarece anumiți agenți de curățare și solvenții dăunează materialelor din plastic și altor componente izolate. Unii dintre aceștia includ benzina, terpentina, diluantul pentru lacuri și vopsele, solvenții de curățare clorurați, amoniacul și detergenții de uz casnic cu conținut de amoniac. Nu utilizați niciodată solvenții inflamabili sau combustibili în jurul dispozitivului.

Verificați dacă sculele de tăiere sunt bine ascuțite și înlocuiți-le pe cele uzate.

Înlocuiți sculele de tăiere dacă sunt ciobite sau deteriorate. Înlocuiți sculele de tăiere întotdeauna în set. Utilizați numai lame MILWAUKEE.

Pentru a evita rămirile și deteriorările, nu scufundați niciodată în lichide nealbe, bateria detașabilă sau încărcătorul și nu permiteți niciodată pătrunderea lichidelor în acestea.

Fantele de aerisire ale mașinii trebuie să fie menținute libere tot timpul

Lucrările de service și de reparație suplimentare au voie să fie efectuate numai de ateliere de specialitate autorizate.

Utilizați numai accesorii și piese de schimb Milwaukee. Dacă unele din componente care nu au fost descrise trebuie înlocuite , vă rugăm contactați unul din agenții de service Milwaukee (vezi lista noastră pentru service / garanți

Dacă este necesară, se poate comanda o imagine descompusă a sculei. Vă rugăm menționați numărul art. Precum și tipul mașinii tipărit pe etichetă și comandați desenul la agenții de service locali sau direct la Techtronic Industries GmbH, Max-Eyth-Straße 10, 71364 Winnenden, Germany.

ACUMULATORI

Temperatura mai mare de 50°C (122°F) reduce performanța acumulatorului. Evitați expunerea prelungită la căldură sau radiație solară (risc de supraîncălzire)

Contactele încărcătoarelor și acumulatorilor trebuie păstrate curate.

În scopul optimizării duratei de funcționare, bateriile trebuie reîncărcate complet după utilizare. Acumulatorii care nu au fost utilizați o perioadă de timp trebuie reîncărcați înainte de utilizare. Pentru o durată de viață cât mai lungă, acumulatorii ar trebui scoși din încărcător după încărcare.

La depozitarea acumulatorilor mai mult de 30 zile, Acumulatorii se depozitează la cca. 27°C și la loc uscat., Acumulatorii se depozitează la nivelul de încărcare de cca. 30%-50%, Acumulatorii se încarcă din nou la fiecare 6 luni.

Nu aruncați acumulatorii uzați la containerul de reziduri menajere și nu îi ardeți. Milwaukee Distributors se oferă să recupereze acumulatorii vechi pentru protecția mediului înconjurător.

Nu depozitați acumulatorul împreună cu obiecte metalice (risc de scurtcircuit)

Acidul se poate scurge din acumulatorii deteriorați la încălziri sau temperaturi extreme. În caz de contact cu acidul din acumulator, spălați imediat cu apă și săpun. În caz de contact cu ochii, clătiți cu atenție timp de cel puțin 10 minute și apelați imediat la îngrijire medicală.

Nu se permite introducerea nici unei piese metalice în locașul pentru acumulator al încărcătorului. (risc de scurtcircuit)

TRANSPORTUL ACUMULATORILOR CU IONI DE LITIU

Acumulatorii cu ioni de litiu cad sub incidența prescripțiilor legale pentru transportul de mărfuri periculoase.

Transportul acestor acumulatori trebuie să se efectueze cu respectarea prescripțiilor și reglementărilor pe plan local, național și internațional.

Consumatorilor le este permis transportul rutier nerestricționat al acestui tip de acumulatori.

Transportul comercial al acumulatorilor cu ioni de litiu prin intermediul firmelor de expediție și transport este supus reglementărilor transportului de mărfuri periculoase. Pregătirile pentru expediție și transport au voie să fie efectuate numai de către personal instruit corespunzător. Întregul proces trebuie asistat în mod competent.

Următoarele puncte trebuie avute în vedere la transportul acumulatorilor:

Pentru a se evita scurtcircuite, asigurați-vă de faptul că sunt protejate și izolate contactele. Aveți grijă ca pachetul de acumulatori să nu poată aluneca în altă poziție în interiorul ambalajului său. Este interzis transportarea unor acumulatori deteriorați sau care pierd lichid. Pentru indicații suplimentare adresați-vă firmei de expediție și transport cu care colaborați.



Ro

DECLARAȚIE DE CONFORMITATE

Declarăm pe propria răspundere că produsul descris în capitolul „Date tehnice” îndeplinește toate cerințele relevante ale directivelor

2011/65/EU (RoHS)

2006/42/EC

2014/30/EU

și au fost utilizate următoarele standarde armonizate

EN 62841-1:2015

EN 55014-1:2017+A11:2020

EN 55014-2:2015

EN IEC 63000:2018



Winnenden, 2020-11-09

Alexander Krug / Managing Director

Împuternicit să elaboreze documentația tehnică.

Techtronic Industries GmbH

Max-Eyth-Straße 10, 71364 Winnenden, Germany



Ro

SIMBOLURI



Va rugăm citiți cu atenție instrucțiunile înainte de pornirea mașinii



Purtați întotdeauna ochelari de protecție când utilizați mașina.



Forță de extragere



PERICOL! AVERTIZARE! ATENȚIE!



Îndepărtați acumulatorul înainte de începerea lucrului pe mașina



Țineți mâinile departe de piesele de tăiat sau de alte componente mobile. Degetele pot ajunge în mecanismul de tăiere și pot fi tăiate sau vătămate.



Accesoriu - Nu este inclus în echipamentul standard, disponibil ca accesoriu



Aparatele electrice, bateriile/acumulatorii nu se elimină împreună cu deșeurile menajere. Aparatele electrice și acumulatorii se colectează separat și se predau la un centru de reciclare, în vederea eliminării ecologice. Informații de la autoritățile locale sau de la comercianții acreditați în legătură cu centrele de reciclare și de colectare.

V Tensiune



Curent continuu



Marcă de conformitate europeană



Marcă de conformitate britanică



Marcă de conformitate ucraineană

001



Marcă de conformitate eurasiatică

Română

ТЕХНИЧКИ ПОДАТОЦИ Секач за навојни прачки	M18 BLTRC
Производен број	4775 24 02... ... 000001-999999
Волтажа на батеријата	18 V
Зона на сечење Челик	M 6 x 1 M 8 x 1,25 M 10 x 1,5 M 12 x 1,75
Зона на сечење Челик	M 6 x 1 M 8 x 1,25 M 10 x 1,5
Тежина според ЕПТА-процедурата 01/2014 (Li-Ion 2,0 Ah...12,0 Ah)	3,9 kg...5,0 kg
Препорачана температура на околната за работа	-18°C ... +50°C
Препорачани комплекти акумулаторски батерији	M18B... M18HB...
Препорачани полначи	M12-18...
Информации за бучавата	
Измерените вредности се одредени согласно стандардот EN 62841. A-оценетото ниво на бучава на апаратот типично изнесува:	
Ниво на звучен притисок. (Несигурност K=3dB(A))	75,27 dB (A)
Ниво на јачина на звук. (Несигурност K=3dB(A))	86,27 dB (A)
Носте штитник за уши.	
Информации за вибрации	
Вкупни вибрациски вредности (векторски збир на трите насоки) пресметани согласно EN 62841.	
Вибрациска емисиона вредност a_h	0,48 m/s ²
Несигурност K	1,5 m/s ²

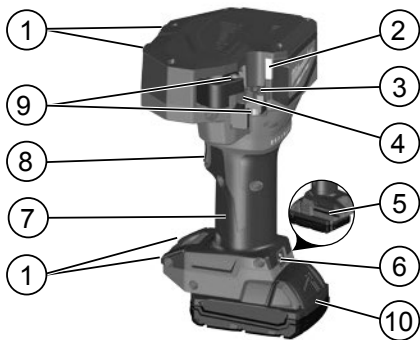
ПРЕДУПРЕДУВАЊЕ!

Нивото на осцилација наведено во овие инструкции е измерено во согласност со мерните постапки нормирани во EN 62841 и може да биде употребено за меѓусебна споредба на електро-алати. Ова ниво може да се употреби и за привремена проценка на оптоварувањето на осцилацијата.

Наведеното ниво на осцилација ги репрезентира главните намени на електро-алатот. Но, доколку електро-алатот се употребува за други намени, со отстапувачки додатоци или со несоодветно одржување, нивото на осцилација може да отстапи. Тоа може значително да го зголеми оптоварувањето на осцилацијата за време на целиот работен период.

За прецизна проценка на оптоварувањето на осцилацијата предвид треба да бидат земени и времињата, во коишто апаратот е исклучен или работи, но фактички не се употребува. Тоа може значително да го намали оптоварувањето на осцилацијата за време на целиот работен период.

Утврдете дополнителни безбедносни мерки за заштита на операторот од влијанието на осцилациите, како на пример: одржување на електро-алатот и на додатоци кон електро-алатот, одржување топли раце, организација на работните процеси.



Опис на уредот

- | | |
|---------------------------|-------------------------------|
| ① Столна поддршка | активаторот |
| ② LED | ⑦ Рачка |
| ③ Неподвижна матрица | Изолирана површина на дршката |
| ④ Подвижна матрица | ⑧ Активатор (окидач) |
| ⑤ Шестоаголен клуч (5 mm) | ⑨ Шестоаголни завртки |
| ⑥ Отпуштање на | ⑩ Батерија |

⚠ ПРЕДУПРЕДУВАЊЕ Прочитајте ги сите безбедносни напомени, упатства, цртежи и податоци, коишто ги добивате заедно со уредот. Доколку не ги почитувате следните упатства, може да дојде до електричен удар, до пожар и/или до тешки повреди.

Сочувајте ги сите безбедносни упатства и инструкции за во иднина.

⚠ УПАТСТВО ЗА УПОТРЕБА

Пред да работи првпат со него и најмалку еднаш годишно, операторот на овој уред мора да биде обучен за специфичните опасности коишто се поврзани со користењето на овој алат и за неопходните безбедносни мерки.

Компанијата што е ангажирана мора:

- Прирачникот за работа да му го стави на располагање на операторот и
- да се увери дека операторот го прочитал и го разбрал.

Одржувајте ги налепниците и плочките со ознака на типот. На нив има важни информации. Ако се нечистливи или недостасуваат, мора да се заменат.

Секогаш постапувајте со здрав разум и бидете внимателни кога користите алати. Не е возможно да се предвиди секоја ситуација која може да доведе до опасен исход. Немојте да го користите алатот ако не ги разбирате упатствата за работа или ако мислите дека не сте способни да ја вршите работата; за дополнителни информации или обука, контактирајте со Milwaukee Tool или обучен професионалец.

Немојте да работите на делови под напон. Уредот HE е изолиран.

Рацете и лабавата облека држете ги понастрана од алатот за сечење и другите подвижни делови. Постои ризик од сериозна повреда, вклучувајќи оштетување на екстремитетите.



Користете заштитна опрема. Секогаш при користење на машината носете ракавици. Се препорачува заштитна облека како: маска за заштита од прашина, заштитни ракавици, цврсти чевли што не се лизгаат, кацига и заштита за уши.

За да се намали ризикот од повреда, носете заштитни очила со странични заштитници кога работите или го сервисирате алатот. Материјалот може да напукне или да се раздроби.

За да избегнете повреди и оштетувања, спречете го случајното стартување на уредот.

Никогаш не го држете алатот во областа на челустите и матриците за сечење.

Пред употреба, секогаш проверете ги матриците и челустите за пукнатини и други знаци на абеење.

Секачот за навојни прачки, акумулаторското пакување и полначот користете ги само ако се во совршена техничка состојба.

Во случај на оштетување истите веднаш да бидат дадени на авторизирана стручна работилница за поправка.

Издадете го батеријскиот склоп пред отпочнување на каков и да е зафат врз машината.

Немојте да го користите алатот без монтирани челусти. Прстите може да се згмечат со или без матриците на место.

Пред да сечете, отстранете ги сите алатки и клучеви.

За да избегнете повреда и оштетување, алатот, преносливата батерија или полначот никогаш не потопувајте ги во течност или, пак, не дозволувајте во нив да навлезе вода.

Немојте да сечете кратки должини од парчето за обработка каде што прстите може да дојдат во близина на матриците за сечење. Матриците се остри!

Парчето за обработка не смее да се изложува на механичка сила.

За да се намали ризикот од експлозија, електричен удар и оштетување на имотот и опремата, да не се користи на предмети под напон.

Алатот НЕ е изолиран. Контактот со струјни кола под напон може да доведе до тешки повреди или смрт.

Сечилата на матриците се остри. Држете ги рацете подалеку од рабовите за сечење и движечките делови. Избегнувајте сечење на кратки парчиња на материјал при што рацете би биле поставени во близина на сечилата. Може да дојде до кинење и ампутација.

ПРЕДУПРЕДУВАЊЕ Некои прашинки настанати со електрично шмирглање, сечење, брусење, дупчење и други градежни активности содржат хемикалии коишто предизвикуваат рак, водени дефекти или други репродуктивни нарушувања. Некои примери за вакви хемикалии се:

- олово од боја на база на олово
- кристален силикат од цигли и цемент и други сидарски производи и
- арсеник и хром од хемиски третирана дрвена граѓа.

Ризикот од овие изложувања варира во зависност од тоа колку често го вршите овој тип работа. За да ја намалите изложеноста на овие хемикалии: работете во добро проветрено место и работете со одобрена заштитна опрема како на пример маски за прашина коишто се специјално наменети за филтрирање на микроскопски честички.

ПРЕДУПРЕДУВАЊЕ! За да избегнете опасност од пожар, од наранувања или од оштетување на производот, коишто ги создава краток спој, не ја потопувајте во течност алатката, заменивата батерија или полначот и пазете во уредите и во батериите да не проникнуваат течности. Корозивни или електроспроводливи течности, како солена вода, одредени хемикалии, избелувачки препарати или производи кои содржат избелувачки супстанции, можат да предизвикаат краток спој.

Користете исклучиво Систем М18 за полнење на батерии од М18 систем. Не користете батерии од друг систем.

Не ги отворајте насилно батериите и полначите, и чувајте ги само на суво место. Чувајте ги постојано суви.

СПЕЦИФИЦИРАНИ УСЛОВИ НА УПОТРЕБА

Овој секач за навојни прачки со високи перформанси е наменет за професионална примена.

ПРЕДУПРЕДУВАЊЕ: За да се намали ризикот од повреда, сечете материјали само за матриците за сечење (види „Спецификации“). Не се обидувајте да сечете други материјали.

Овој алат ќе пресече чисто и без нерамнини навојни прачки, овозможувајќи рачно вденување на навртките без дополнително финиширање. Квалитетот на парчето за обработка, нечистотијата и тенките наслагги може да влијаат врз способноста за рачно вденување на навртките.

ЗАБЕЛЕШКА: Користете го алатот за сечење на големините и материјалите наведени подолу. Другите големини или материјали ќе го оштетат алатот и парчето за обработка.

НЕ го користете алатот во близина на запаливи течности или гасови.

НЕ го користете за сечење на прекалени завртки, навои со други големини или арматурни шипки.

ЗАБЕЛЕШКА: Секачот за прачки е дизајниран така што навртката рачно се вденува на пресечената прачка. Квалитетот на навојот, површинскиот слој (на пр., галванизирани или обложено), нечистотијата и тенките наслагги може да влијаат врз способноста на навртката за слободно вденување на пресечената прачка.

ПРЕДУПРЕДУВАЊЕ: Ако матриците треба да се отворат без да се заврши циклусот, никогаш не ја отпуштајте главната рачка. Користете ја другата рака за да го притиснете копчето за враќање назад сè додека не светне индикаторската ламбичка. Ставете ја раката назад на парчето за обработка и држете го цврсто. Потоа притиснете го главниот прекинувач сè додека не запре автоматски алатот за да ги отворите матриците.

УПОТРЕБА

Секогаш при користење на уредот носете заштитниочила.

Матриците за сечење се остри. Држете ги рацете подалеку од рабовите за сечење и движечките делови. Избегнувајте сечење на кратки парчиња на материјал при што рацете би биле поставени во близина на матриците за сечење. Може да дојде до кинење и ампутација.

За време на користење над глава, погрижете се ДВАТА краја на прачката да бидат зацврстени за да избегнете паѓање на парчиња кога ќе заврши сечењето.

Сечење

- Пред употреба, погрижете се матриците за сечење да бидат приспособени за соодветната големина на прачка.
- Проверете дали шестоаголните завртки се добро затегнати.
- Сечете чист материјал за да го продолжите работниот век на сечилото на матрицата за сечење.
- Избришете ја нечистотијата и остатоците од материјалот и матриците за сечење пред да започнете со сечење.
- Користете ги матриците за сечење само на материјалот за којшто се наменети. Другите материјали може да ги оштетат матриците за сечење и алатот.
- Ставете го акумулаторот.
- За да се обезбеди соодветниот работен век на матрицата, навојната прачка мора да биде целосно опфатена со матриците за време на сечењето. За правилна работа, секогаш прицврстете го парчето за обработка пред сечење.
- Не се обидувајте со агонии сечења. Тоа ќе ги оштети матриците за сечење и парчето за обработка. Цврсто и сигурно држете го материјалот наспроти неподвижната матрица за сечење кога го стартувате сечењето.
- За враќање назад, притиснете го копчето за враќање назад; светлото на копчето ќе се вклучи. Притиснете го и држете го прекинувачот за враќање назад.
ЗАБЕЛЕШКА: Алатот ќе влезе во режим за враќање назад само ако челустите НЕ се целосно отворени.

Копче за враќање назад

Ако челустите за сечење треба да се отворат без да се заврши циклот на сечење:

1. Отпуштете го прекинувачот.
2. Притиснете го копчето за враќање назад. Светлото на копчето ќе се ВКЛУЧИ.
3. Повлечете го прекинувачот и цврсто држете го алатот сè додека целосно не се отворат челустите за сечење.
ЗАБЕЛЕШКА: Алатот ќе влезе во режим за враќање назад само ако челустите НЕ се целосно отворени.

Заглавни матрици за сечење

Нечистотијата и остатоците може да предизвикаат заглавување на матриците за сечење по сечење. Ако алатот се исклучи, а челустите за сечење се сè уште затворени:

1. Притиснете го копчето за враќање назад и повлечете го прекинувачот сè додека целосно не се отворат челустите за сечење. Ако ова не успее,
2. Извадете го акумулаторот
3. Извадете ги, исчистете ги и повторно монтирајте ги матриците за сечење во согласност со „Вадење/Ставање на матриците за сечење“.

ОДРЖУВАЊЕ

Извадете го батеријскиот склоп пред отпочнување на каков и да е зафат врз машината.

Никогаш не го отворајте секачот за навојни прачки, батеријата што се отстранува или полначот. Проверете го секачот за навојни прачки за какви било проблеми, како на пример бучава или заглавување на подвижните делови кои може да влијаат врз алатот.

Проверете ја алатката за сечење да не има пукнатини и други знаци на изабеност.

Чистете ја рашината и остатоците од отворите. Одржувајте ја рачката чиста, сува и без масло или мазира. Користете само благ сапун и влажна крпа за чистење, бидејќи одредени средства за чистење и растворувачи се штетни за пластика и други неизолирани делови. Некои од нив вклучуваат бензин, терпентин, разредувач за лак, разредувач за боја, хлорирани средства за чистење, амониак и детергенти за домаќинството што содржат амониак. Никогаш не користете запаливи или горливи растворувачи околу алатите.

Внимавајте на остриите алати за сечење, односно изабените алати за сечење заменете ги со нови

Заменете го алатот за сечење доколку станат кршливи или покажуваат оштетувања. Заменете го алатот за сечење секогаш заменувајте го во пар. Користете само ножеви MILWAUKEE.

За да избегнете повреда и оштетување, алатот, преносливата батерија или полначот никогаш не потопувајте ги во течност или, пак, не дозволувајте во нив да навлезе вода.

Вентилациските отвори на машината мора да бидат комплетно отворени постојано.

Освен тоа, сервисирањето и поправките смеат да ги извршуваат само овластени специјализирани работилници.

Користете само Milwaukee додатоци и резервни делови. Доколку некои од компонентите кои не се опишани треба да бидат заменети, Ве молиме контактирајте ги сервисните агенти на Milwaukee (консултирајте ја листата на адреси).

Доколку е потребно можно е да биде набавен детален приказ на алатот. Ве молиме наведете го бројот на артиклот како и типот на машина кој е отпечатен на етикетата и порачајте ја скицата кај локалниот застапник или директно кај: Techtronic Industries GmbH, Max-Eyth-Strasse 10, 71364 Winnenden, Germany.

БАТЕРИИ

Температура повисока од 50°C (122°F) го намалуваат траењето на батериите. Избегнувајте подолго изложување на батериите на високи температури или сонце (ризик од прегревање).

Клемите на полначот и батериите мора да бидат чисти.

За оптимален работен век батериите мора да се наполнат целосно по употреба. Батриите кои не биле користени подолго време треба да се наполнат пред употреба.

За можно подолг век на траење, апаратите после нивното полнење треба да бидат извадени од апаратот за полнење на батериите.

Во случај на складирање на батеријата подолго од 30 дена; Акумулаторот да се чува на температура од приближно 27°C и на суво место., Акумулаторот да се складира на приближно 30%-50% од состојбата на наполнетост. Акумулаторот повторно да се наполни на секои 6 месеци.

Не ги оставајте искористените батери во домашниот отпад и не горете ги. Дистрибутерите на Милвоки ги собираат старите батери, со што ја штитат нашата околина.

Не ги чувајте батериите заедно со метални предмети (ризик од краток спој).

Киселината од оштетените батериите може да истече при екстреман напон или температури. Доколку дојдете во контакт со исатата, измијте се веднаш со сапун и вода. Во случај на контакт со очите плакнете ги убаво најмалку 10 минути и задолжително одете на лекар.

Метални парчиња не смеат да навлезат во делот за полнење на батерија (ризик од краток спој).



ТРАНСПОРТ НА ЛИТИУМ-ЈОНСКИ БАТЕРИИ

Литиум-јонските батерии подлежат на законските одредби за транспорт на опасни материи.

Транспортот на овие батерии мора да се врши согласно локалните, националните и меѓународните прописи и одредби.

Потрошувачите на овие батерии може да вршат непречен патен транспорт на истите.

Комерцијалниот транспорт на литиум-јонски батерии од страна на шпедитерски претпријатија подлежат на одредбите за транспорт на опасни материи. Подготовките за шпедиција и транспорт треба да ги вршат исклучиво соодветно обучени лица. Целокупниот процес треба да биде стручно надгледуван.

При транспортот на батерии треба да се внимава на следното:

Осигурајте се дека контактите се заштитени и изолирани, а сето тоа со цел да се избегнат кратки споеви. Внимавајте да не дојде до преместување на батериите во нивната амбалажа. Забранет е транспорт на оштетени или протечени литиум-јонски батерии. За понатамошни инструкции обратете се до Вашето шпедитерско претпријатие.



Mak

ЕУ-ДЕКЛАРАЦИЈА ЗА СООБРАЗНОСТ

Под целосна лична одговорност изјавуваме дека производот опишан во „Технички податоци“ е во сообразност со сите релевантни прописи од директивите

2011/65/EU (RoHS)

2006/42/EC

2014/30/EU

и дека се применети следните хармонизирани стандарди

EN 62841-1:2015

EN 55014-1:2017+A11:2020

EN 55014-2:2015

EN IEC 63000:2018



Winnenden, 2020-11-09

Alexander Krug / Managing Director

Ополномоштен за составување на техничката документација.

Techtronic Industries GmbH

Max-Eyth-Straße 10, 71364 Winnenden, Germany

СИМБОЛИ



Ве молиме пред да ја стартувате машината обрнете внимание на упатствата за употреба.



Секогаш при користење на машината носете ракавици.



Сила на влечење



ВНИМАНИЕ! ПРЕДУПРЕДУВАЊЕ! ОПАСНОСТ!



Извадете го батерискиот склоп пред отпочнување на каков и да е зафат врз машината.



Рацете држете ги настрана од алатот за сечење и од другите подвижни делови. Прстите може да се најдат во механизмот за сечење и да бидат отсечени или повредени.



Дополнителна опрема - Не е вклучена во стандардната, а достапна е како додаток.



Електричните апарати и батериите што се полнат не смеат да се фрлат заедно со домашниот отпад. Електричните апарати и батериите треба да се собираат одделно и да се однесат во соодветниот погон заради нивно фрлање во склад со начелата за заштита на околината. Информирајте се кај Вашите местни служби или кај специјализираниот трговски претставник, каде има такви погони за рециклажа и собирајни станици.

V

Напон



Истосмерна струја



Европска ознака за сообразност



Британска ознака за сообразност



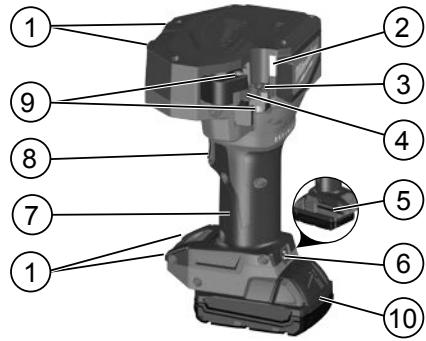
Украинска ознака за сообразност



Евроазиска ознака за сообразност

Македонски

ТЕХНІЧНІ ХАРАКТЕРИСТИКИ	M18 BLTRC
Інструмент для розрізання різьбових стрижнів	
Номер виробу	4775 24 02... ... 000001-999999
Напруга знімної акумуляторної батареї	18 V
Область розрізання Сталь	M 6 x 1 M 8 x 1,25 M 10 x 1,5 M 12 x 1,75
Область розрізання Нержавіюча сталь	M 6 x 1 M 8 x 1,25 M 10 x 1,5
Вага згідно з процедурою EPTA 01/2014 (Li-Ion 2,0 Ah...12,0 Ah)	3,9 kg...5,0 kg
Температура навколишнього середовища, рекомендована для експлуатації	-18°C ... +50°C
Рекомендовані акумулятори	M18B... M18HB...
Рекомендовані зарядні пристрої	M12-18...
Інформація про шум Виміряні значення визначені згідно з EN 62841. Рівень шуму „А“ приладу становить в типовому випадку: Рівень звукового тиску (похибка K = 3 дБ(A)) Рівень звукової потужності (похибка K = 3 дБ(A))	75,27 dB (A) 86,27 dB (A)
Використовувати засоби захисту органів слуху! Інформація щодо вібрації Сумарні значення вібрації (векторна сума трьох напрямків), встановлені згідно з EN 62841. Значення вібрації a _h похибка K =	0,48 m/s ² 1,5 m/s ²



Опис пристрою

- | | |
|----------------------------|---|
| ① Настільні опори | ⑦ Ручка
Ізольована поверхня
ручки |
| ② Світлодіод | ⑧ Пусковий курок |
| ③ Нерухома губка | ⑨ Болти з шестигранною
голівкою |
| ④ Рухома губка | ⑩ Акумуляторна батарея |
| ⑤ Шестигранний ключ (5 mm) | |
| ⑥ Курок розблокування | |

⚠ ПЕРЕПРЕДЖЕННЯ Ознайомтеся з усіма вказівками щодо техніки безпеки, інструкціями, ілюстраціями та відомостями, що було надано разом із приладом. Недотримання наведених далі інструкцій може спричинити ураження електричним струмом, пожежу та/або тяжкі травми. Зберігайте всі вказівки з техніки безпеки та інструкції на майбутнє.

⚠ ВКАЗІВКИ З ТЕХНІКИ БЕЗПЕКИ ДЛЯ

Оператор цього пристрою повинен проходити інструктаж стосовно особливих ризиків, пов'язаних із використанням цього пристрою, та стосовно необхідних заходів безпеки. Інструктаж проводиться перед першим використанням пристрою та в подальшому щонайменше раз на рік.

Компанія, що експлуатує пристрій, зобов'язана:

- надати оператору посібник із експлуатації;
- та переконатися в тому, що оператор прочитав і прийняв до уваги інформацію, викладену в посібнику.

Зберігайте фірмові таблички та етикетки. Вони містять важливу інформацію. Замінійте їх у разі відсутності чи пошкодження до непридатного для читання стану.

Завжди керуйтеся загальними правилами раціональної поведінки та будьте обережні під час роботи з інструментами. Неможливо передбачити всі ситуації, які можуть мати небезпечні наслідки. Не використовуйте інструмент, якщо ви не розумієте ці інструкції з експлуатації або якщо ви вважаєте, що ваші здібності недостатні для виконання роботи; зверніться в компанію Milwaukee Tool або до досвідченого спеціаліста для отримання додаткової інформації чи проведення інструктажу.

Не виконуйте роботи на деталях, які знаходяться під електричним струмом. Пристрій НЕ має ізоляції.

ПОПЕРЕДЖЕННЯ!

Рівень вібрації, вказаний в цій інструкції, вимірювався згідно з методом вимірювання, нормованим стандартом EN 62841, і може використовуватися для порівняння електроінструментів. Він призначений також для попередньої оцінки навантаження від вібрації.

Вказаний рівень вібрації відповідає основним сферам використання електроінструменту. Але якщо електроінструмент використовується для іншої мети, з іншими вставними інструментами або при недостатньому технічному обслуговуванні, рівень вібрації може бути іншим. Це може значно підвищити навантаження від вібрації за весь період роботи.

Для точної оцінки навантаження від вібрації необхідно також враховувати час, коли прилад вимкнений або увімкнений, але фактично не використовується. Це може значно зменшити навантаження від вібрації за весь період роботи.

Визначте додаткові заходи безпеки для захисту оператора від дії вібрації, наприклад: Технічне обслуговування електроінструменту та вставних інструментів, зігрівання рук, організація робочих процесів.



Тримайте руки та вільний одяг на безпечній відстані від різальних інструментів і інших рухомих частин. Існує небезпека тяжких травм, в тому числі відокремлення кінцівок.

Використовуйте захисні пристрої. Під час роботи з машиною завжди носите захисні окуляри. Радимо використовувати захисний одяг, як наприклад маску для захисту від пилу, захисні рукавиці, міцне та нековзне взуття, каску та засоби захисту органів слуху.

Для зниження ризику травмування під час експлуатації чи обслуговування інструмента носіть захисні окуляри чи окуляри з боковими щитками. Матеріал може тріскатися чи утворювати уламки.

Щоб уникнути поранень і пошкодження майна, усуньте можливість випадкового увімкнення пристрою.

У жодному разі не тримайте інструмент поблизу лещат або різальних губок.

Перед використанням завжди перевіряйте губки та лещата на наявність тріщин чи інших ознак зношення.

Використовуйте інструмент для розрізання різьбових стрижнів, акумуляторну батарею і зарядний пристрій, лише якщо вони мають бездоганний технічний стан.

Пошкодження негайно усунути в авторизованій спеціальній майстерні.

Перед будь-якими роботами на приладі виїняти змінну акумуляторну батарею.

Не використовуйте інструмент без установлених губок.

Травмування пальців можливе як зі встановленими губками, так і без них.

Перед розрізанням виїмайте будь-які регульовальні інструменти та ключі.

Щоб уникнути травм та пошкодження майна, в жодному разі не опускайте інструмент, змінний акумулятор і зарядний пристрій у рідину та не допускайте проникнення рідини всередину цих пристроїв.

Не розрізайте заготовки малої довжини, під час роботи з якими пальці можуть опинитися поблизу різальних губок. Губки гострі!

Не піддавайте заготовки дії механічних сил.

Для зниження ризику вибуху, ураження електричним струмом чи пошкодження майна й обладнання не розрізуйте об'єкти під струмом.

Інструмент НЕ має ізоляції. Контакт із контуром під напругою може призвести до важких травм чи смерті.

Леза губок гострі. Тримайте руки на безпечній відстані від різальних кромок і рухомих деталей. Уникайте розрізання коротких шматків матеріалу, під час роботи з якими пальці можуть опинитися поблизу лез. Можливі глибокі порізи чи відірвання кінцівок.

ПОПЕРЕДЖЕННЯ Пил, що виникає під час механічного шліфування, пиляння, свердління та інших будівельних робіт, може містити хімічні речовини, які викликають рак, порушення репродуктивної функції та інші розлади репродуктивної системи. Деякі приклади таких хімічних речовин показано нижче.

- Свинець із фарб, які містять свинець
- Кристалічний діоксид кремнію з цеглини і цементу та інших матеріалів для стінобудування
- Миш'як і хром із хімічно оброблених лісоматеріалів.

Ризик ураження цими хімікатами залежить від частоти виконання робіт цього типу. Для зниження ризику ураження цими хімікатами: працюйте у добре вентильованих приміщеннях, використовуйте затверджене захисне спорядження, наприклад респіратори, спеціально призначені для фільтрації мікроскопічних частинок.

ПОПЕРЕДЖЕННЯ! Для запобігання небезпеці пожежі в результаті короткого замикання, травмам і пошкодженню виробів не занурюйте інструмент, змінний акумулятор або зарядний пристрій у рідину і не допускайте потрапляння рідини всередину пристроїв або акумуляторів. Корозійні і струмопровідні рідини, такі як солоний розчин, певні хімікати, вибілювальні засоби або продукти, що їх містять, можуть призвести до короткого замикання.

Змінні акумуляторні батареї системи M18 заряджати лише зарядними пристроями системи M18. Не заряджати акумуляторні батареї інших систем.

Не відкривати змінні акумуляторні батареї і зарядні пристрої та зберігати їх лише в сухих приміщеннях. Берегти від вологи.

ВИКОРИСТАННЯ ЗА ПРИЗНАЧЕННЯМ

Цей потужний інструмент для розрізання різьбових стрижнів призначений для професійного використання.

ПОПЕРЕДЖЕННЯ: Щоб уникнути травмування, розрізайте лише ті матеріали, які придатні для розрізання за допомогою губок (див. розділ «Специфікації»). Не намагайтеся розрізати інші матеріали.

Цей інструмент розрізає різьбові стрижні чисто та без задирок, що дозволяє нагвинчувати гайки вручну без додаткової обробки поверхні. Якість заготовки, забруднення та нерівності можуть впливати на можливість ручного нагвинчування гайок.

ПРИМІТКА: Використовуйте цей інструмент для розрізання вказаних нижче матеріалів і розмірів. Робота з іншими розмірами чи матеріалами призведе до пошкодження інструмента та заготовки.

НЕ використовуйте та НЕ експлуатуйте інструмент у вологому середовищі чи в присутності займистих рідин і газів.

Не використовуйте його для розрізання загартованих болтів, різьбових стрижнів інших розмірів або арматури.

ПРИМІТКА: Інструмент для розрізання різьбових стрижнів виконано таким чином, щоб забезпечити нагвинчування різьбових елементів на відрізаний стрижень уручну. Якість заготовок, обробка поверхні (наприклад, гальванування чи електролітичне покриття), забруднення та нерівності можуть впливати на можливість вільного ручного нагвинчування гайок на відрізаний стрижень.

ПОПЕРЕДЖЕННЯ: Якщо вам необхідно відкрити губки до завершення циклу, у жодному разі не відпускайте головну ручку. Іншою рукою натисніть і утримуйте кнопку зворотного ходу, доки не засвітиться індикаторна лампа. Покладіть руку назад на заготовку та надійно утримуйте її. Потім натисніть головний вимикач і дочекайтеся, доки інструмент зупиниться автоматично для відкриття губок.

ВИКОРИСТАННЯ

Під час використання пристрою завжди носіть захисні окуляри.

Різальні губки гострі. Тримайте руки на безпечній відстані від різальних кромок і рухомих деталей. Уникайте розрізання коротких шматків матеріалу, під час роботи з якими пальці можуть опинитися поблизу різальних губок. Можливі глибокі порізи чи відірвання кінцівок.



Якщо ви тримаєте інструмент над головою, переконайтеся в тому, що ОБИДВА кінці стрижня зафіксовано, щоб уникнути падіння шматків заготовки після завершення розрізання.

Розрізання

- Перед використанням переконайтеся в тому, що різальні губки налаштовано відповідно до розміру стрижня.
- Переконайтеся в тому, що шестигранні болти надійно затягнуті.
- Для продовження строку служби різальних губок розрізайте чистий матеріал.
- Перед початком розрізання витирайте з матеріалу та різальних губок бруд і сторонні частки.
- Використовуйте різальні губки лише з передбаченим матеріалом. Інші матеріали можуть пошкодити різальні губки та інструмент.
- Вставте акумуляторну батарею.
- Для продовження строку служби губок різьбовий стрижень повинен повністю і належним чином контактувати зі губками під час розрізання. Для точного виконання роботи завжди фіксуйте заготовку перед розрізанням.
- Не виконуйте розрізання під кутом. Це призведе до пошкодження різальних губок і заготовки. Починаючи розрізання, міцно та безпечно тримайте матеріал, щоб він контактував із різальною губкою.
- Для запуску у зворотному напрямі натисніть кнопку зворотного ходу. Індикатор кнопки загориться. Для перемикання на зворотній напрям натисніть і утримуйте кнопку запуску. ПРИМІТКА: Інструмент можна переключити на зворотний хід лише в тому випадку, якщо лещата НЕ відкрито повністю.

Кнопка зворотного ходу

Якщо вам необхідно відкрити різакі, не завершуючи цикл розрізання, виконайте вказані нижче дії.

1. Відпустіть кнопку запуску.
2. Натисніть кнопку зворотного ходу. Індикатор кнопки ЗАГОРИТЬСЯ.
3. Натисніть кнопку запуску та міцно тримайте інструмент, доки різакі не відкриються повністю. ПРИМІТКА: Інструмент можна переключити на зворотний хід лише в тому випадку, якщо лещата НЕ відкрито повністю.

Заклинювання різальних губок

Бруд і сторонні частки можуть призводити до заклинювання різальних губок після розрізання. Якщо інструмент вимикається, а різакі ще закрито, виконайте вказані нижче дії.

1. Натисніть кнопку зворотного ходу, натисніть і утримуйте кнопку запуску, доки різакі не відкриються повністю. Якщо це не допомагає, виконайте вказані нижче дії.
2. Вийміть акумулятор
3. Вийміть, очистьте та встановіть різальні губки заново відповідно до розділу «Виймання/заміна різальних губок».

ОБСЛУГОВУВАННЯ

Перед будь-якими роботами на приладі вийняти змінну акумуляторну батарею.

У жодному разі не відкривайте інструмент для розрізання різьбових стрижнів, акумуляторну батарею чи зарядний пристрій. Перевіряйте інструмент для розрізання різьбових

стрижнів на наявність будь-яких проблем, таких як шуми чи заклинювання рухомих деталей, що можуть впливати на роботу інструмента.

Перевірте різальні інструменти на наявність тріщин або інших ознак зношення.

Очищайте отвори від пилу та бруду. Ручка повинна бути чистою та сухою, без масла чи мастила. Для очищення використовуйте лише м'який мильний розчин і м'яку тканину, оскільки деякі очисні засоби та розчинники можуть пошкодити пластиківі та інші ізольовані деталі. Поміж іншого, до них належать бензин, скипидар, розчинник для лаку, розчинник для фарби, хлоровмісні очисні засоби, аміак і побутові очисні засоби, що містять аміак. У жодному разі не користуйтеся займистими чи вибухонебезпечними розчинниками поблизу інструментів.

Перевіряйте гострість різальних інструментів і замінійте зношені різальні інструменти.

Замінійте різальні інструменти, якщо вони мають щербини чи пошкодження. Завжди замінійте різальні інструменти повним комплектом. Використовуйте лише леза MILWAUKEE.

Щоб уникнути травм та пошкодження майна, в жодному разі не опускайте інструмент, знімний акумулятор і зарядний пристрій у рідину та не допускайте проникнення рідини всередину цих пристроїв.

Завжди підтримувати чистоту вентиляційних отворів.

Подальші роботи з обслуговування та ремонту можуть виконуватися лише уповноваженими спеціалізованими майстернями.

Використовувати тільки комплектуючі та запчастини Milwaukee. Деталі, заміна яких не описується, замінювати тільки в відділі обслуговування клієнтів Milwaukee (зверніть увагу на брошуру „Гарантія / адреси сервісних центрів“).

У разі необхідності можна запросити креслення з зображенням вузлів машини в перспективному вигляді, для цього потрібно звернутися в ваш відділ обслуговування клієнтів або безпосередньо в Techtronic Industries GmbH, Max-Eyth-Strasse 10, 71364 Winnenden, Німеччина, та вказати тип машини та шестизначний номер на фірмовій табличці з даними машини.

АКУМУЛЯТОРНІ БАТАРЕЇ

Температура понад 50 °C зменшує потужність змінної акумуляторної батареї. Уникати тривалого нагрівання сонячними променями або системою обігріву.

З'єднувальні контакти зарядного пристрою та змінної акумуляторної батареї повинні бути чистими.

Для забезпечення оптимального строку експлуатації акумуляторної батареї після використання необхідно повністю зарядити. Змінну акумуляторну батарею, що не використовувалася тривалий час, перед використанням необхідно підзарядити.

Для забезпечення максимально можливого терміну експлуатації акумуляторної батареї після зарядки необхідно виймати з зарядного пристрою.

При зберіганні акумуляторної батареї понад 30 днів, Зберігати акумуляторну батарею при температурі приблизно 27 °C в сухому місці., Зберігати акумуляторну батарею в стані зарядки приблизно 30-50 %, Кожні 6 місяців заново заряджати акумуляторну батарею.

Відпрацьовані змінні акумуляторні батареї не можна кидати у вогонь або викидати з побутовими відходами. Milwaukee пропонує утилізацію старих знімних акумуляторних батарей, безпечно для довкілля; зверніться до свого дилера.



Не зберігати знімні акумуляторні батареї разом з металевими предметами (небезпека короткого замикання).

При екстремальному навантаженні або при екстремальній температурі з пошкодженої змінної акумуляторної батареї може витікати електроліт. При потрапленні електроліту на шкіру його негайно необхідно змити водою з милом. При потрапленні в очі їх необхідно негайно ретельно промити, щонайменше 10 хвилин, та негайно звернутися до лікаря.

В гніздо зарядного пристрою, яке призначене для встановлення змінної акумуляторної батареї, не повинні потрапляти металеві деталі (небезпека короткого замикання).

ТРАНСПОРТУВАННЯ ЛІТІЙ-ІОННИХ АКУМУЛЯТОРНИХ БАТАРЕЙ

Літій-іонні акумуляторні батареї підпадають під законоположення про перевезення небезпечних вантажів.

Транспортування таких акумуляторних батарей повинно відбуватися із дотриманням місцевих, національних та міжнародних приписів та положень.

споживачі можуть без проблем транспортувати ці акумуляторні батареї по вулиці.

Комерційне транспортування літій-іонних акумуляторних батарей експедиторськими компаніями підпадає під положення про транспортування небезпечних вантажів. Підготовку до відправлення та транспортування можуть здійснювати виключно особи, які пройшли відповідне навчання. Весь процес повинні контролювати кваліфіковані фахівці.

При транспортуванні акумуляторних батарей необхідно дотримуватися зазначених далі пунктів:

Переконайтеся в тому, що контакти захищені та ізольовані, щоб запобігти короткому замиканню. Слідкуйте за тим, щоб акумуляторна батарея не переміщувалася всередині упаковки. Пошкоджені акумуляторні батареї, або акумуляторні батареї, що потекли, не можна транспортувати. Для отримання подальших вказівок звертайтеся до своєї експедиторської компанії.

СЕРТИФІКАТ ВІДПОВІДНОСТІ ВИМОГАМ ЄС

Ми заявляємо на власну відповідальність, що виріб, описаний в „Технічних даних“, відповідає всім застосовним положенням директиви

2011/65/EU (RoHS)

2006/42/EC

2014/30/EU

та наступним гармонізованим нормативним документам:

EN 62841-1:2015

EN 55014-1:2017+A11:2020

EN 55014-2:2015

EN IEC 63000:2018



Winnenden, 2020-11-09

Alexander Krug / Managing Director
Уповноважений із складання технічної документації.
Techtronic Industries GmbH
Max-Eyth-Straße 10, 71364 Winnenden, Germany

СИМВОЛИ



Уважно прочитайте інструкцію з експлуатації перед введенням приладу в дію.



Під час роботи з машиною завжди носити захисні окуляри.



Тягове зусилля



УВАГА! ПОПЕРЕДЖЕННЯ! НЕБЕЗПЕЧНО!



Перед будь-якими роботами на приладі вийняти змінну акумуляторну батарею.



Тримайте руки на безпечній відстані від різальних інструментів і інших рухомих частин. Пальці можуть потрапити в різальний механізм, який може відірвати або травмувати їх.



Комплектуючі - не входять в обсяг постачання, рекомендовані доповнення з програми комплектуючих.



Електроприлади, батареї/акумулятори заборонено утилізувати разом з побутовим сміттям. Електричні прилади і акумулятори слід збирати окремо і здавати в спеціалізовану компанію для утилізації відповідно до норм охорони довкілля. Зверніться до місцевих органів або до вашого дилера, щоб отримати адреси пунктів вторинної переробки та пунктів прийому.



Напруга



Постійний струм



Європейський знак відповідності



Британський знак відповідності



Український знак відповідності



Євроазіатський знак відповідності

Українська

تعلن تحت مسؤوليتنا وحدنا أن المنتج المعين تحت اسم
البيانات الفنية" يستوفي جميع الأحكام ذات الصلة ضمن
التوجيهات

2011/65/EU (RoHS)
2006/42/EC
2014/30/EU

والمعايير المتسقة التالية

EN 62841-1:2015
EN 55014-1:2017+A11:2020
EN 55014-2:2015
EN IEC 63000:2018



Winnenden, 2020-11-09

Alexander Krug / Managing Director
معمتمة للمطابقة مع الملف الفني

Techtronic Industries GmbH
Max-Eyth-Straße 10, 71364 Winnenden,
Germany



يرجى قراءة التعليمات بعناية قبل بدء تشغيل
الجهاز.



ارتد دائماً نظارات الوقاية عند استخدام الجهاز.



قوة السحب



تنبيه! تحذير! خطراً!



انزع البطارية قبل التعامل مع الجهاز.



احرص على إبعاد يديك عن أدوات القطع وما عداها
من الأجزاء المتحركة. يمكن أن تنزلق الأصابع داخل
آلية القطع وتعرض للقطع أو الإصابة.



الملحق - ليس مدرجاً كمعدة قياسية، متوفر
كملاحق.



يحظر التخلص من الأجهزة الكهربائية والبطاريات/
البطاريات القابلة للشحن في القمامة المنزلية. يجب
جمع الأجهزة الكهربائية والبطاريات القابلة للشحن
منفصلة وتسليمها للتخلص منها بشكل لا يضر
بالبيئة لدى شركة إعادة استغلال الرجاء الاستفسار
لدى الهيئات المحلية أو لدى التجار المتخصصين
عن مواقع إعادة الاستغلال ومواقع الجمع.



الجهد الكهربائي



التيار المستمر



علامة التوافق الأوروبية



علامة التوافق البريطانية



علامة التوافق الأوكرانية



001

علامة التوافق الأوروبية الآسيوية



زر الكانت

إذ كانت أفكاك القطع بحاجة للفتح دون إكمال دورة القطع:

1. حزرر المشغل.
2. اضبط على زر العكس. سيضئ مصباح الزر.
3. اسحب المشغل وأمسك الأداة بإحكام حتى تفتح أفكاك القطع بالكامل. ملاحظة: لن تدخل الأداة في الوضع العكسي إلا إذا لم تكن الأفكاك مفتوحة بالكامل.

لوالب القطع المشحونة

قد تتسبب الأوساخ والفتات في انحسار لوابب القطع معاً بعد القيام بعملية قطع. إذا توقفت الأداة عن العمل وكانت الأفكاك لا تزال مغلقة:

1. اضبط على زر العكس واسحب المشغل حتى تفتح أفكاك القطع بالكامل. إذا لم يفلح ذلك،
2. أدخل حزمة البطارية
3. ازل لوابب القطع، ونظفها، وأعد تركيبها وفقاً لقسم "إزالة/إعادة تركيب لوابب القطع".

الصيانة

انزع البطارية قبل التعامل مع الجهاز.

لا تفتح قاطع القضبان المُسنن، أو البطارية القابلة للفتح، أو الشاحن إطلاقاً. افحص قاطع القضبان المُسنن بحثاً عن أي مشكلات مثل الضوضاء أو انحسار الأجزاء المتحركة التي قد تؤثر على الأداة.

تحقق من أدوات القطع للتأكد من عدم وجود شقوق وأية علامات أخرى للتآكل.

نظف الغبار والفتات من الفتحات. حافظ على نظافة المقبوض، وجفافه، وعدم احتوائه على زيت أو شحم. استخدم الصابون المعتدل فقط وقطعة من القماش الرطب للتنظيف، حيث تتسبب بعض المنظفات والمذيبات في الإضرار بالأجزاء البلاستيكية والأجزاء المعزولة الأخرى. حيث يحتوي بعضها على الجازولين، والترينتين، ومخفف طلاء اللك، ومخفف الطلاء، ومذيبات التنظيف التي تحتوي على الكلور، والأمونيا، والمنظفات المنزلية التي تحتوي على الأمونيا. لا تستخدم المذيبات القابلة للاشتعال بالقرب من الأدوات.

تحقق من أن أدوات القطع حادة واستبدل أدوات القطع المتآكلة. استبدل أدوات القطع عندما تصبح مكسورة أو تالفة. استبدل دائماً أدوات القطع كمجموعة واحدة. لا تستخدم سوى شفرات MILWAUKEE.

لتجنب الإصابة والتلف، لا تغمر الأداة أو البطارية القابلة للإزالة أو الشاحن في سائل أو تسمح للسائل باختراقها. يجب أن تكون فتحات تهوية الجهاز نظيفة طوال الوقت. أعمال الصيانة والإصلاح الأخرى يجب ألا تتم إلا بمعرفة ورش فنية متخصصة.

استخدم فقط ملحقات ميلوكي وكذلك قطع غيار ميلوكي. إذا كانت المكونات التي يجب تغييرها غير مذكورة، يرجى الاتصال بأحد عملاء صيانة ميلوكي (انظر قائمة عناوين الضمان/الصيانة الخاصة بنا).

عند الحاجة يمكن طلب رمز انفجار الجهاز بعد ذكر طراز الآلة والرقم السداسي المذكور على بطاقة طاقة الآلة لدى جهة خدمة العملاء أو مباشرة لدى شركة

Techtron Industries GmbH, Max-Eyth-Straße
10, 71364 Winnenden
ألمانيا

البطاريات

تقل درجات الحرارة التي تتجاوز 50° سيلزيوس (122° فهرنهايت) من أداء البطارية. تجنب التعرض الزائد للحرارة أو أشعة الشمس (خطر التسخين)..

يجب الحفاظ على محتويات الشواحن و البطاريات نظيفة. للحصول على فترة استخدام مثالية، يجب شحن البطاريات تماماً، بعد الاستخدام. يجب إعادة شحن البطارية غير المستخدمة لفترة قبل الاستخدام.

للحصول على أطول عمر ممكن للبطارية، انزع البطارية من الشاحن بمجرد شحنها تماماً.

لتخزين البطارية أكثر من 30 يوم، خزن البطارية بحيث تكون درجة الحرارة أقل من 27° سيلزيوس وبعيداً عن أي رطوبة. خزن البطارية مشحونة بنسبة تتراوح بين 30-30%، اشحن البطارية كالمعتاد، وذلك كل ستة أشهر من التخزين.

لا تتخلص من البطاريات المستعملة مع النفايات المنزلية أو بحرقها. يقدم موزعو ميلوكي خدمة استعادة البطاريات القديمة لحماية البيئة.

لا تقم بتخزين البطارية مع الأشياء المعدنية (خطر قصر الدائرة)..

قد يتسرب حامض البطارية من البطاريات التالفة في ظروف الحمل الزائد بدرجة كبيرة أو في درجات الحرارة الشديدة. في حالة ملامسة حامض البطارية اغسل يديك فوراً بالماء والصابون. في حالة ملامسة السائل للعينين اشطفهما جيداً لمدة 10 دقائق على الأقل واطلب العناية الطبية فوراً.

يجب تجنب دخول أي أجزاء معدنية في قسم البطارية الخاصة بالشاحن (خطر الماس الكهربائي)..

نقل بطاريات الليثيوم

تخضع بطاريات الليثيوم أيون لشروط قوانين نقل السلع الخطرة.

ويجب نقل هذه البطاريات وفقاً للأحكام والقوانين المحلية والوطنية والدولية.

يمكن للمستخدم نقل البطاريات برأ دون الخضوع لشروط أخرى.

يخضع النقل التجاري لبطاريات الليثيوم أيون عن طريق الغير إلى قوانين نقل السلع الخطرة. يتعين أن يقوم أفراد مدربون جيداً بالإعداد لعملية النقل والقيام بها بصحبة خبراء مثلهم.

متى تُنقل البطاريات:

عند التأكد من حماية أطراف توصيل البطارية وعزلها تجديداً لحدوث قصر بالدائرة. عند التأكد من حماية حزمة البطارية من الحركة داخل صندوق التعبئة. يُرجى عدم نقل البطاريات التي بها تشققات أو تسربات. يُرجى البحث مع شركة الشحن عن نصيحة أخرى

شروط الاستخدام المحددة

تجنب حمل الأداة من منطقة الأفكاك ولوالب القطع.

قبل الاستخدام، افحص اللوالب والأفكاك دائماً بحثاً عن الشروخ وعلامات التآكل الأخرى.

لا تستخدم قاطع القضبان المُسنّن، وحزمة البطارية والشاحن إلا إذا كانوا في حالة فنية مثالية.

يجب إصلاح الأجزاء التالفة فوراً من خلال ورشة عمل معتمدة. انزع البطارية قبل التعامل مع الجهاز.

لا تستخدم الأداة في حالة عدم تركيب اللوالب. قد تتعرض الأصابع للانسحاق إذا كانت اللوالب في مكانها أو لا.

قم بإزالة أية أدوات ضبط أو مفاتيح ربط قبل إجراء القطع.

لتجنب الإصابة والتلف، لا تعمر الأداة أو البطارية القابلة للإزالة أو الشاحن في سائل أو تسمح للسائل باختراقها.

لا تقصّر قطعة التصنيع حيث قد تقترب الأصابع من لولب القطع. اللوالب حادة!

لا يُسمح بتعرض قطعة التصنيع لأي قوى ميكانيكية. لتقليل خطر الانفجارات، والصدمات الكهربائية، والإضرار بالممتلكات والمعدات، لا تستخدم الأداة على أعراض طبيعية.

الأداة ليست معزولة. قد يؤدي التلامس مع دائرة مشحونة بتيار كهربائي إلى إصابات شديدة أو الوفاة.

شفرات اللوالب حادة. أبق يديك بعيدتين عن حواف القطع والأجزاء المتحركة. تجنب قطع أجزاء قصيرة من المادة التي تجعل اليدين قريبتين من الشفرات. فقد يحدث لها تمزق أو بتر.

تحذير يحتوي بعض الغبار الذي يصنعه الترميل الآلي، المواد، والتلجيب، والحفر، وأعمال الإنشاء الأخرى على مواد كيميائية من المعروف أنها تسبب السرطان، أو تشوهات الولادة، أو الأضرار الإنجابية الأخرى. من الأمثلة على تلك المواد الكيميائية:

• الرصاص الناتج عن الطلاء المصنوع من الرصاص
• السيليكا البلورية الناتجة عن القرميد والأسمنت ومنتجات البناء الأخرى،

• الزينك والكروم الناتجين عن الخشب المعالج كيميائياً. ويتراوح نطاق الخطر الذي تتعرض له جراء التعرّض لتلك المواد، وفقاً لمدى تكرارية قيامك بهذا النوع من العمل. لتقليل التعرّض لتلك المواد الكيميائية: اعمل في منطقة ذات تهوية جيدة، وامل بمعدات سلامة معتمدة، مثل أقنعة الغبار المُصممة خصيصاً لفلتره الجزيئات المجهريّة.

تحذير! تحذير! لتجنب أخطار الحروق أو الإصابة أو الإضرار بالمنتج التي تنجم عن تماس الكهربائي، لا تعمر الأداة أو البطارية القابلة للاستبدال أو جهاز الشحن في السوائل وأحرص على أن لا تصل السوائل إلى داخل الجهاز والبطارية. السوائل الملوثة للتآكل أو الموصلة للتيار الكهربائي، مثل الماء والمالح ومركبات كيميائية معينة ومواد التبييض أو المنظفات التي تشتمل على مواد تبييض، يمكن أن تؤدي إلى حدوث تماس كهربائي.

استخدم فقط شاحن System M18 لشحن بطاريات System M18. لا تستخدم بطاريات من أنظمة أخرى.

لا تقم أبداً بفتح قفل البطارية والشواحن ولا تخزينهم إلا في غرف جافة. وحافظ عليها جاف طوال الوقت.

قاطع القضبان المُسنّن المخصص للأعمال الشاقة مُصمم للتطبيقات الاحترافية.

تحذير: لتقليل خطر التعرّض للإصابة، لا تقطع المواد إلا للوالب القطع (انظر «المواصفات»). لا تحاول قطع مواد أخرى.

هذه الأداة تقطع القضبان المسننة بنظافة ودون جعل الحواف خشنة، مما يتيح ربط الصواميل يدوياً دون الحاجة للمسّات نهائية أخرى. قد تؤثر جودة قطعة التصنيع، والأوساخ، والاتساع، على إمكانية ربط الصواميل يدوياً.

ملاحظة: استخدم هذه الأداة لقطع الأحجام والمواد المذكورة أدناه. ستتناسب الأحجام والمواد الأخرى في إتلاف الأداة وقطعة التصنيع.

لا تشغّل الأداة أو تستخدمها في ظروف البهل أو في وجود سوائل أو غازات قابلة للاشتعال.

لا تستخدم الأداة لقطع المسامير المعالجة، أو أسنان اللوالب ذات الأحجام المختلفة، أو قضبان التقوية.

ملاحظة: لقد تم تصميم قاطع القضبان بحيث يتم ربط الصواميل في قضيب القطع يدوياً. جودة أسنان اللوالب، وتشطيب السطح (مثل اللمفنة أو التغطية)، والأوساخ، والاتساع، قد يؤثر على إمكانية ربط الصمولة بحرية في قضيب القطع.

تحذير: إذا كانت اللوالب بحاجة للفتح دون إكمال الدورة، فلا تحرر المقبض الرئيسي أبداً. استخدم يدك الأخرى للضغط على زر العكس حتى يضيء مصباح الموشر. أرجع يدك على قطعة التصنيع وامسكها جيداً. ثم اضغط على المشغل الرئيسي حتى تتوقف الأداة تلقائياً لفتح اللوالب.

الاستخدام

ارتد دائماً نظارات واقية عند استخدام الجهاز.

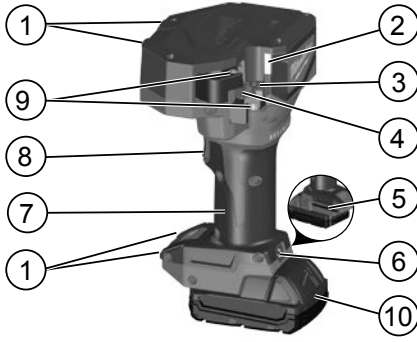
لولب القطع حادة. أبق يديك بعيدتين عن حواف القطع والأجزاء المتحركة. تجنب قطع أجزاء قصيرة من المادة التي تجعل اليدين قريبتين من لولب القطع. فقد يحدث لها تمزق أو بتر.

عند الاستخدام العلوي، تأكد من تأمين طرفي القضيب لتجنب سقوط الأجزاء بعد اكتمال القطع.

القطع

- قبل الاستخدام، تأكد من محاذاة لولب القطع وفقاً لحجم القضيب الملائم.
- تأكد من ربط المسامير السداسية بإحكام.
- اقطع المواد النظيفة لتتمديد عُمر شفرة لولب القطع.
- امسح الأوساخ والفتات عن المواد ولوالب القطع قبل بدء القطع.
- لا تستخدم إلا اللوالب القطع إلا مع المواد المُصممة لأجلها فقط. قد تؤدي المواد الأخرى إلى إتلاف لولبية القطع والأداة.
- أدخل حزمة البطارية.
- لضمان العُمر الملائم للولبية، يجب ربط القضيب المسنّن بالكامل وبالشكل المناسب مع اللوالب أثناء القطع. لإتمام العمل بدقة، عليك تثبيت قطعة التصنيع دائماً قبل القطع.
- لا تحاول القطع بزواوية. سيؤدي ذلك إلى إتلاف لولب القطع وقطعة التصنيع. امسك المادة بإحكام وبثبات أمام لولب القطع الثابت عند بدء القطع.
- للعمل بالعكس، اضغط على زر العكس؛ وسيضيء مصباح الزر. اضغط على المشغل واستمر في الضغط للعكس.
- ملاحظة: لن تدخل الأداة في الوضع العكسي إلا إذا لم تكن الأفكاك متوتحة بالكامل.





وصف الجهاز

- ① وسائل دعم سطح المنضدة
② مؤشر LED
③ لولبية ثابتة
④ لولبية متحركة
⑤ مفتاح سداسي (5 mm)
⑥ زناد التحرير
⑦ مقبض
⑧ مساحة المقبض معزولة
⑧ الزناد
⑨ مسامير مقبس سداسي البطارية
⑩ البطارية

⚠ تحذير اقرأ جميع تعليمات السلامة والإرشادات

والشروح والبيانات المرفقة مع الجهاز. قد يؤدي عدم مراعاة التعليمات المدرجة أدناه إلى التعرض للإصابة بصدمة كهربية أو الحرق أو الإصابة خطيرة.
احتفظ بجميع التنبيهات والتعليمات للرجوع إليها مستقبلاً.

⚠ تعليمات السلامة

يجب أن يتم تعريف مشغل الجهاز بالمخاطر المحددة المرتبطة باستخدام هذا الجهاز وتدابير السلامة الأساسية قبل العمل به لأول مرة وعلى الأقل مرة واحدة في السنة بعد ذلك.

• يجب على شركة التشغيل:

• توفير دليل التشغيل للمشغل

• والتأكد من أن المشغل قرأه وفهمه.

احتفظ بالملصقات والوواح الأسماء. فهي تحتوي على معلومات مهمة. إذا أصبحت غير مقروءة أو فقدت، فيلزم استبدالها.

استخدم حُكمك السليم على الأمور دائماً وتوخ الحذر عند استخدام الأدوات. لا يمكن التنبؤ بكل موقف قد يؤدي إلى نتيجة خطيرة. لا تستخدم هذه الأداة إذا لم تفهم إرشادات تلك أو كنت تشعر أن العمل أكبر من قدراتك؛ تواصل مع Milwaukie Tool أو مع محترف مدرب للحصول على المزيد من المعلومات أو التدريب.

لا تعمل بأجزاء موصلة بالكهرباء الحية. الجهاز ليس معزولاً. احرص على إبعاد يديك وملابسك الفضفاضة عن أدوات القطع وما عداها من الأجزاء المتحركة. هناك خطر الإصابة الخطيرة، بما في ذلك قطع الأطراف.

استخدم معدات الوقاية. ارتد دائماً نظارات الوقاية عند استخدام الجهاز. ينصح باستخدام الملابس الواقية مثل الكمامات الواقية من الغبار، والقفازات، والأحذية القوية غير المنزلفة، والخوذات، وواقيات الأذن.

لتقليل خطر التعرض للإصابة، قم بارتداء المنظار أو النظارات الواقية التي تحتوي على واقيات جانبية عند تشغيل الأداة أو صيانتها. قد تتعرض المادة للشرخ أو الكسر. لتجنب الإصابة أو الضرر، امنع تشغيل الجهاز دون عمد.

M18 BLTRC	البيانات الفنية قاطع القضبان المُسَدَّن
4775 24 02... ... 000001- 999999	إنتاج عدد
18 V	فولطية البطارية
M 6 x 1 M 8 x 1,25 M 10 x 1,5 M 12 x 1,75	نطاق القطع معدني
M 6 x 1 M 8 x 1,25 M 10 x 1,5	نطاق القطع إستانلس ستيل
01/2014 3,9 kg...5,0 kg	الوزن وفقاً لنهج EPTA رقم (Li-Ion 2,0 Ah...12,0 Ah)
-18°C ... +50°C	درجة حرارة البيئة المحيطة المتصوح بها من أجل التشغيل
M18B... M18HB... M12-18...	البطاريات المتصوح بها جهاز الشحن المتصوح به
معلومات الضوضاء القيم التي تم قياسها محددة وفقاً للمعايير الأوروبية EN 62841 مستويات ضوضاء الجهاز، ترجيحاً بشكل نموذجي كالتالي: مستوى ضغط الصوت (الارتياح في القياس = 3 ديسيبل (A)) 75,27 dB (A) مستوى شدة الصوت (الارتياح في القياس = 3 ديسيبل (A)) 86,27 dB (A) ارتد واقيات الأذن!	
معلومات الاهتزاز قيم الذبذبات الإجمالية (مجموع الكميات الموجهة في المحاور الثلاثة) محددة وفقاً للمعايير الأوروبية EN 62841. قيمة انبعاث الذبذبات a _h 0,48 m/s ² 1,5 m/s ² الارتياح في القياس	

تحذير!

تم قياس مستوى انبعاث الذبذبات الموجود بوثيقة المعلومات هذه وفقاً للاختبار القياسي وفقاً للمعايير الأوروبية EN 62841 ويمكن استخدامه لمقارنة جهاز بغيره. كما يمكن استخدامه لعرض تقييم تمهيدي.

يمثل مستوى انبعاث الذبذبات المعلن عنه تطبيقات الجهاز الرئيسية. بالرغم من ذلك، فإنه إذا تم استخدام الجهاز لتطبيقات مختلفة، بملحقات مختلفة أو لم يتم المحافظة عليه، فقد يختلف انبعاث الذبذبات. قد يزيد ذلك بصورة كبيرة من مستوى التعرض للذبذبات طوال فترة العمل الإجمالية.

يجب الوضع في الاعتبار عند تقدير مستوى التعرض للذبذبات مرات إيقاف الجهاز أو تشغيله لكن دون استخدامه في القيام بمهمة. فقد يقلل ذلك بصورة كبيرة من مستوى التعرض للذبذبات طوال فترة العمل الإجمالية.

تعرف على معايير السلامة الإضافية لحماية المشغل من آثار الذبذبات مثل: صيانة الجهاز والملحقات، الحفاظ على دفة الأيدي، وتنظيم نماذج العمل.

Copyright 2020
Techtronic Industries GmbH
Max-Eyth-Straße 10
71364 Winnenden
Germany
+49 (0) 7195-12-0
www.milwaukeeetool.eu

Techtronic Industries (UK) Ltd
Fieldhouse Lane
Marlow Bucks SL7 1HZ
UK



**EAC UK
CA**

(11.20)

4931 4258 78